

# MC9S12UF32

## System on a Chip Guide

### V01.05

**Original Release Date: 17 JAN 2002**  
**Revised: 03 Dec 2004**

**TSPG - 8/16 Bit MCU Design, HKG**  
**Freescale Semiconductor, Inc.**

This product has been designed for use in "Commercial" applications. Please see a description below.

Freescale's semiconductor products are classified into the following three tiers "Commercial", "Industrial", and "Automotive". A product should only be used in applications appropriate to its tier. The recommended applications for products in the different tiers are indicated below. For questions, please contact a Freescale sales representative.

Commercial: Typically 5 year applications - personal computers, PDA's, portable telecom products, consumer electronics, etc.

Industrial: Typically 10 year applications - installed telecom equipment, work stations, servers, etc. These products can also be used for Commercial applications.

Automotive: Qualified per automotive industry standard methods.



# Revision History

Release Number	Date	Author	Summary of Changes
00.01	17JAN02	Y.H. Cheng	Initial Version
00.02	19FEB02	Y.H. Cheng	Modified SMRAM mapping to allow 1k byte 16-bit block mappable to Vector Space. Update spec with review feedback.
00.03	26APR02	Y.H. Cheng	Modified Device pinout to separate D+ D- for high speed and low speed operation. Remap Timer pins to Port R. Update BG references.
00.04	16SEP02	Y.H. Cheng	Modified Device pinout per IP requirement Add SCI Update Interrupt information.
00.05	25SEP02	Y.H. Cheng	Change pin location for REF3V and VREGEN minor update on module name references remove references to pseudo stop and clock monitor
00.06	03JUN03	Y.H. Cheng	<ul style="list-style-type: none"> <li>- Updated info for SMRAM3P5K2E in device memory map</li> <li>- Updated EXTAL and XTAL supply rail information.</li> <li>- Relocate SCI module base address from \$70 to \$C8</li> <li>- Relocate ATA5HC module base address from \$240 to \$1C0</li> <li>- Relocate PIM module base address from \$80 to \$240</li> <li>- Relocate Interrupt Vectors</li> <li>- Updated Phy evaluation pinout.</li> <li>- Updated CFA00, CFA01 and CFA02 pin name to CFA0, CFA1 and CFA2 respectively.</li> <li>- Removed ESD and Latchup section in Electrical.</li> <li>- Update Block Guide References</li> <li>- Miscellaneous Typo mistakes.</li> </ul>
00.07	11JUN03	Y.H. Cheng	<ul style="list-style-type: none"> <li>- Update typo in interrupt vector table for Vector \$C2</li> <li>- Update typo in pin order of IOC[7:4] in signal properties table</li> <li>- Specify run and wait IDD in Electrical Section</li> <li>- Specify stop IDD at room temperature in Electrical Section</li> </ul>
00.08	13JUL03	Y.H. Cheng	<ul style="list-style-type: none"> <li>- Change specification to include 64 pin option</li> <li>- ROMCTL pin assigned to PJ2</li> </ul>

Freescale Semiconductor reserves the right to make changes without further notice to any products herein to improve reliability, function or design. Freescale Semiconductor does not assume any liability arising out of the application or use of any product or circuit described herein; neither does it convey any license under its patent rights nor the rights of others. Freescale Semiconductor products are not designed, intended, or authorized for use as components in systems intended for surgical implant into the body, or other applications intended to support or sustain life, or for any other application in which the failure of the Freescale Semiconductor product could create a situation where personal injury or death may occur. Should Buyer purchase or use Freescale Semiconductor products for any such unintended or unauthorized application, Buyer shall indemnify and hold Freescale Semiconductor and its officers, employees, subsidiaries, affiliates, and distributors harmless against all claims, costs, damages, and expenses, and reasonable attorney fees arising out of, directly or indirectly, any claim of personal injury or death associated with such unintended or unauthorized use, even if such claim alleges that Freescale Semiconductor was negligent regarding the design or manufacture of the part. Freescale™ and the Freescale logo are registered trademarks of Freescale Semiconductor, Inc. Freescale Semiconductor, Inc. is an Equal Opportunity/Affirmative Action Employer.

© Freescale Semiconductor, Inc. 2004

Release Number	Date	Author	Summary of Changes
01.00	21AUG03	Y.H. Cheng	<ul style="list-style-type: none"> <li>- Removed all references to XCLKS, since function is removed.</li> <li>- typo - replaced PRU with RPU.</li> <li>- typo - replaced ATAHC with ATA5HC</li> <li>- Removed references to clock monitor, since function is not available.</li> <li>- Update <math>\theta_{JA}</math> for 100-pin and 64-pin packages.</li> <li>- Add footnotes on IRQ pin removal in 64-pin package</li> <li>- Update Flash memory map out of reset.</li> <li>- Add information on INITRM, INITRG, INITEE setting for example application memory map</li> <li>- Update clock distribution diagram to make it more intelligible</li> <li>- Change table 2-3, 2-5 description using general purpose port references instead of Functional module references.</li> <li>- Stop IDD spec for -40C and 85C are removed</li> <li>- Add other conditions for RUN Idd and Wait Idd.</li> </ul>
01.01	28NOV03	Wai-On Law	<ul style="list-style-type: none"> <li>- Minor typo corrections.</li> <li>- Corrected 'Background Debug Module' to 'HCS12 Breakpoint' at address \$0028-\$002F in table 1-1.</li> <li>- Added detailed register map.</li> <li>- Corrected the MSHC enable control in table 5-1.</li> <li>- Added part ID \$6311 for mask 1L47S.</li> </ul>
01.02	23MAR04	Y.H. Cheng	<ul style="list-style-type: none"> <li>- Removed all references and description on USB Physical Endpoint 6</li> <li>- Updated IDD, 3V and 5V I/O electricals and package thermal resistance information</li> <li>- Include Commercial tier note</li> <li>- Update and add note to detailed register map.</li> </ul>
01.03	20APR04	Wai-On Law	<ul style="list-style-type: none"> <li>- Added PIM reference.</li> </ul>
01.04	10MAY04	Wai-On Law	<ul style="list-style-type: none"> <li>- Added package information as appendix B.</li> </ul>
01.05	03DEC04	Wai-On Law	<ul style="list-style-type: none"> <li>- Improved fig 1-1.</li> <li>- Fixed consistency of 3.0v and 3.3v for VDD3X.</li> <li>- Updated power dissipation formula.</li> <li>- Added schematic and PCB layout recommendations.</li> <li>- Added NVM, VREGU, CRGU electricals to appendix A.</li> </ul>



# Table of Contents

## Section 1 Introduction

1.1	Overview . . . . .	19
1.2	Features . . . . .	19
1.3	Modes of Operation . . . . .	22
1.4	Block Diagram . . . . .	23
1.5	Device Memory Map . . . . .	24
1.5.1	Detailed Register Map . . . . .	26
1.6	Part ID Assignments . . . . .	46

## Section 2 Signal Description

2.1	Device Pinout . . . . .	49
2.2	Signal Properties Summary for 100-pin Package . . . . .	51
2.3	Signal Properties Summary for 64-pin Package . . . . .	54
2.4	Detailed Signal Descriptions for 100-pin package . . . . .	57
2.4.1	EXTAL, XTAL — Oscillator Pins . . . . .	57
2.4.2	RESET — External Reset Pin . . . . .	57
2.4.3	TEST — Test Pin . . . . .	57
2.4.4	VREGEN — Voltage Regulator Enable Pin . . . . .	57
2.4.5	BKGD / TAGHI / MODC — Background Debug, Tag High & Mode Pin . . . . .	57
2.4.6	RPU — USB D+ pull up resistor termination . . . . .	57
2.4.7	RREF — External bias resistor . . . . .	57
2.4.8	DPF - USB Full Speed D+ data line . . . . .	58
2.4.9	DPH - USB High Speed D+ data line . . . . .	58
2.4.10	DMF - USB Full Speed D- data line . . . . .	58
2.4.11	DMH - USB High Speed D- data line . . . . .	58
2.4.12	PWROFF5V - power off 5V supply . . . . .	58
2.4.13	PWROFF3V - power off 3V supply . . . . .	58
2.4.14	REF3V - 3.3V reference for external regulator . . . . .	58
2.4.15	PA[7:0] / ADDR[15:8] / DATA[15:8] / CFD[15:8] / ATAD[15:8] — Port A I/O Pins . . . . .	58
2.4.16	PB[7:0] / ADDR[7:0] / DATA[7:0] / CFD[7:0] / ATAD[7:0] — Port B I/O Pins . . . . .	59
2.4.17	PE7 / NOACC — Port E I/O Pin 7 . . . . .	59
2.4.18	PE6 / MODB / IPIPE1 — Port E I/O Pin 6 . . . . .	59
2.4.19	PE5 / MODA / IPIPE0 — Port E I/O Pin 5 . . . . .	59

2.4.20	PE4 / ECLK— Port E I/O Pin 4 / E-Clock Output . . . . .	59
2.4.21	PE3 / LSTRB / TAGLO — Port E I/O Pin 3 / Low-Byte Strobe (LSTRB) . . . . .	60
2.4.22	PE2 / R/W — Port E I/O Pin 2 / Read/Write. . . . .	60
2.4.23	PE1 / IRQ — Port E input Pin 1 / Maskable Interrupt Pin . . . . .	60
2.4.24	PE0 / XIRQ — Port E input Pin 0 / Non Maskable Interrupt Pin . . . . .	60
2.4.25	PJ2 / MSSCLK/ROMCTL - Port J I/O Pin 2 . . . . .	60
2.4.26	PJ1 / MSSDIO - Port J I/O Pin 1 . . . . .	61
2.4.27	PJ0 / MSBS - Port J I/O Pin 0 . . . . .	61
2.4.28	PM[5:2] / SDDATA[3:0] - Port M I/O Pin [5:2] . . . . .	61
2.4.29	PM1 / SDCLK — Port M I/O Pin 1 . . . . .	61
2.4.30	PM0 / SDCMD — Port M I/O Pin 0 . . . . .	61
2.4.31	PP7 / SRE / ACFD15 / AATAD15— Port P I/O Pin 7. . . . .	61
2.4.32	PP6 / SWE / ACFD14 / AATAD14— Port P I/O Pin 6 . . . . .	62
2.4.33	PP5 / SALE / ACFD13 / AATAD13— Port P I/O Pin 5. . . . .	62
2.4.34	PP4 / SCLE / ACFD12 / AATAD12— Port P I/O Pin 4. . . . .	62
2.4.35	PP3 / SWP / ACFD11 / AATAD11— Port P I/O Pin 3 . . . . .	62
2.4.36	PP2 / SCE / ACFD10 / AATAD10— Port P I/O Pin 2. . . . .	62
2.4.37	PP1 / SCD / ACFD9 / AATAD9— Port P I/O Pin 1 . . . . .	63
2.4.38	PP0 / SBSY / ACFD8 / AATAD8— Port P I/O Pin 0 . . . . .	63
2.4.39	PQ[7:0] / SDAT[7:0] / ACFD[7:0] / AATAD[7:0]— Port Q I/O Pins [7:0]. . . . .	63
2.4.40	PR[1:0] / CFA[4:3] — Port R I/O Pins [1:0] . . . . .	63
2.4.41	PR[2] / CFA[5] / RXD — Port R I/O Pins [2]. . . . .	63
2.4.42	PR[3] / CFA[6] / TXD — Port R I/O Pins [3]. . . . .	64
2.4.43	PR[7:4] / CFA[10:7] / IOC[7:4] — Port R I/O Pins [7:4] . . . . .	64
2.4.44	PS7 / CFRDY(CFIREQ) / ATAINTQ — Port S I/O Pin 7 . . . . .	64
2.4.45	PS6 / CFWE / ATADMARQ — Port S I/O Pin 6. . . . .	64
2.4.46	PS5 / CFIOWR / ATAIOWR — Port S I/O Pin 5 . . . . .	64
2.4.47	PS4 / CFIORD / ATAIORD — Port S I/O Pin 4 . . . . .	65
2.4.48	PS3 / CFCE2 / ATACS1 — Port S I/O Pin 3 . . . . .	65
2.4.49	PS2 / CFIOIS16 — Port S I/O Pin 2. . . . .	65
2.4.50	PS1 / CFOE — Port S I/O Pin 1. . . . .	65
2.4.51	PS0 / CFCE1 / ATACS0 — Port S I/O Pin 0 . . . . .	65
2.4.52	PT[3:0] / IOC[3:0]— Port T I/O Pins [3:0]. . . . .	66
2.4.53	PU[5:3] / CFA[2:0] / ATADA[2:0] — Port U I/O Pins [5:3] . . . . .	66
2.4.54	PU2 / CFREG — Port U I/O Pin 2 . . . . .	66
2.4.55	PU1 / CFINPACK / ATADMACK — Port U I/O Pin 1 . . . . .	66

2.4.56	PU0 / CFWAIT / ATAIORDY — Port U I/O Pin 0	.66
2.5	Detailed Signal Descriptions for 64-pin package	.67
2.5.1	EXTAL, XTAL — Oscillator Pins	.67
2.5.2	RESET — External Reset Pin	.67
2.5.3	TEST — Test Pin	.67
2.5.4	BKGD / TAGHI / MODC — Background Debug, Tag High & Mode Pin	.67
2.5.5	RPU — USB D+ pull up resistor termination	.67
2.5.6	RREF — External bias resistor	.67
2.5.7	DPF - USB Full Speed D+ data line	.67
2.5.8	DPH - USB High Speed D+ data line	.68
2.5.9	DMF - USB Full Speed D- data line	.68
2.5.10	DMH - USB High Speed D- data line	.68
2.5.11	REF3V - 3.3V reference for external regulator	.68
2.5.12	PA[5:0] / ADDR[13:8] / DATA[13:8] / CFD[13:8] / ATAD[13:8] — Port A I/O Pins	.68
2.5.13	PA[6] / ADDR[14] / DATA[14] / CFD[14] / ATAD[14] / MSBS — Port A I/O Pins	.68
2.5.14	PA[7] / ADDR[15] / DATA[15] / CFD[15] / ATAD[15] — Port A I/O Pins	.69
2.5.15	PB[7:0] / ADDR[7:0] / DATA[7:0] / CFD[7:0] / ATAD[7:0] / IOC[7:0] — Port B I/O Pins	.69
2.5.16	PE7 / NOACC / CAF10 — Port E I/O Pin 7	.69
2.5.17	PE6 / MODB / IPIPE1 / CFA9 — Port E I/O Pin 6	.69
2.5.18	PE5 / MODA / IPIPE0 / CFA8 — Port E I/O Pin 5	.69
2.5.19	PE4 / ECLK — Port E I/O Pin 4 / E-Clock Output	.69
2.5.20	PE3 / LSTRB / TAGLO / CFA3 — Port E I/O Pin 3 / Low-Byte Strobe (LSTRB)	.70
2.5.21	PE2 / R/W — Port E I/O Pin 2 / Read/Write	.70
2.5.22	PE0 / XIRQ — Port E input Pin 0 / Non Maskable Interrupt Pin	.70
2.5.23	PJ2 / ATACS1 / SWP / CFCE2 / ROMCTL - Port J I/O Pin 2	.70
2.5.24	PJ1 / ATACS0 / SCLE / CFCE1 - Port J I/O Pin 1	.71
2.5.25	PJ0 / ATAIOWR / SALE / CFIOWR - Port J I/O Pin 0	.71
2.5.26	PM4 / IOC3 / SDDATA2 / SBSY / CFIOIS16 — Port M I/O Pin 4	.71
2.5.27	PM3 / IOC2 / SDDATA1 / SCE / CFINPACK — Port M I/O Pin 3	.71
2.5.28	PQ7 / SDAT7 / CFA7 / IOC7 — Port Q I/O Pins 7	.71
2.5.29	PQ6 / SDAT6 / CFA6 / SDCLK / IOC6 — Port Q I/O Pins 6	.72
2.5.30	PQ5 / SDAT5 / CFA5 / SDCMD / IOC5 — Port Q I/O Pins 5	.72
2.5.31	PQ4 / SDAT4 / CFA4 / ATADMACK / IOC4 — Port Q I/O Pins 4	.72
2.5.32	PQ3 / SDAT3 / CFIORD / ATAIORD — Port Q I/O Pins 3	.72
2.5.33	PQ[2:0] / SDAT[2:0] / CFA[2:0] / ATADA[2:0] — Port Q I/O Pins [2:0]	.72

2.5.34	PS7 / CFRDY(CFIREQ) / ATAINTQ / MSSDIO — Port S I/O Pin 7 . . . . .	73
2.5.35	PS6 / CFWE / ATADMARQ / MSCLK — Port S I/O Pin 6 . . . . .	73
2.5.36	PS5 / TXD — Port S I/O Pin 5 . . . . .	73
2.5.37	PS4 / RXD — Port S I/O Pin 4 . . . . .	73
2.5.38	PT1 / IOC1 / SDDATA3 / SWE / CFOE — Port T I/O Pin 1 . . . . .	73
2.5.39	PT0 / IOC0 / SDDATA0 / SRE / CFREG — Port T I/O Pin 0 . . . . .	73
2.5.40	PU0 / CFWAIT / ATAIORDY / SCD — Port U I/O Pin 0 . . . . .	74
2.6	Power Supply Pins . . . . .	74
2.6.1	VDDR, VSSR - Power & Ground Pins for I/O Drivers & for Internal Voltage Regulator. 74	
2.6.2	VDD - Core Power Pin . . . . .	75
2.6.3	VDDX, VSSX - Power & Ground Pins for I/O Drivers . . . . .	75
2.6.4	VDD3X, VSS3X - Power & Ground Pins for I/O Drivers . . . . .	75
2.6.5	VDDA, VSSA, VSSA1 - USB PHY Power Pins . . . . .	75

### Section 3 System Clock Description

### Section 4 Modes of Operation

4.1	Overview. . . . .	78
4.2	Modes of Operation . . . . .	78
4.2.1	Normal Operating Modes . . . . .	79
4.2.2	Special Operating Modes. . . . .	81
4.3	Internal Visibility . . . . .	82
4.4	Security. . . . .	82
4.4.1	Securing the Microcontroller . . . . .	83
4.4.2	Operation of the Secured Microcontroller . . . . .	83
4.4.3	Unsecuring the Microcontroller . . . . .	83
4.5	Low Power Modes . . . . .	84
4.5.1	Stop . . . . .	84
4.5.2	Wait . . . . .	84
4.5.3	Run. . . . .	84

### Section 5 Resets and Interrupts

5.1	Overview. . . . .	85
5.2	Vectors . . . . .	85
5.2.1	Vector Table. . . . .	85
5.3	Resets . . . . .	87



5.3.1	Reset Summary Table . . . . .	.87
5.3.2	Effects of Reset . . . . .	.87

## **Section 6 HCS12 Core Block Description**

6.1	CPU12 Block Description . . . . .	.88
6.2	HCS12 Background Debug Module (BDM) Block Description . . . . .	.88
6.3	HCS12 Breakpoint (BKP) Block Description . . . . .	.88
6.4	HCS12 Interrupt (INT) Block Description . . . . .	.88
6.5	HCS12 Multiplexed External Bus Interface (MEBI) Block Description . . . . .	.88
6.6	HCS12 Module Mapping Control (MMC) Block Description . . . . .	.88

## **Section 7 ATA5 Host Controller (ATA5HC) Block Description**

7.1	Device-specific information. . . . .	.89
-----	--------------------------------------	-----

## **Section 8 Compact Flash Host Controller (CFHC) Block Description**

8.1	Device-specific information. . . . .	.89
-----	--------------------------------------	-----

## **Section 9 Clock Reset Generator (CRG\_U) Block Description**

9.1	Device-specific information. . . . .	.89
-----	--------------------------------------	-----

## **Section 10 Flash EEPROM 32K (FTS32K) Block Description**

10.1	Device-specific information. . . . .	.90
------	--------------------------------------	-----

## **Section 11 Integrated Queue Controller (IQUE) Block Description**

11.1	Device-specific information. . . . .	.90
------	--------------------------------------	-----

## **Section 12 Memorystick Host Controller (MSHC) Block Description**

12.1	Device-specific information. . . . .	.91
------	--------------------------------------	-----

## **Section 13 Oscillator (OSC) Block Description**

13.1	Device-specific information. . . . .	.91
------	--------------------------------------	-----

## **Section 14 Port Integration Module (PIM) Block Description**

14.1	Device-specific information. . . . .	.92
------	--------------------------------------	-----

## **Section 15 Serial Communication Interface (SCI) Block Description**

15.1	Device-specific information. . . . .	.92
------	--------------------------------------	-----

## Section 16 Secured Digital Host Controller (SDHC) Block Description

16.1	Device-specific information. . . . .	92
------	--------------------------------------	----

## Section 17 Smartmedia Host Controller (SMHC) Block Description

17.1	Device-specific information. . . . .	93
------	--------------------------------------	----

## Section 18 Smartmedia RAM (SMRAM) Block Description

18.1	Device-specific information. . . . .	93
------	--------------------------------------	----

## Section 19 Timer (TIM) Block Description

19.1	Device-specific information. . . . .	93
------	--------------------------------------	----

## Section 20 USB2.0 Controller (USB20D6E2F) Block Description

20.1	Device-specific information. . . . .	93
------	--------------------------------------	----

## Section 21 Voltage Regulator (VREG\_U) Block Description

21.1	Device-specific information. . . . .	94
------	--------------------------------------	----

## Section 22 Schematic and PCB Layout Design Recommendations

22.1	Schematic Design with the MC9S12UF32 and a USB interface . . . . .	94
22.1.1	Power Supply Notes. . . . .	95
22.1.2	Clocking Notes. . . . .	95
22.2	PCB Design Recommendation. . . . .	96

## Appendix A Electrical Characteristics

A.1	General. . . . .	97
A.1.1	Parameter Classification . . . . .	97
A.1.2	Power Supply . . . . .	97
A.1.3	Pins . . . . .	98
A.1.4	Current Injection. . . . .	98
A.1.5	Absolute Maximum Ratings . . . . .	99
A.1.6	ESD Protection and Latch-up Immunity. . . . .	99
A.1.7	Operating Conditions . . . . .	100
A.1.8	Power Dissipation and Thermal Characteristics . . . . .	101
A.1.9	I/O Characteristics . . . . .	103
A.1.10	Supply Currents . . . . .	108
A.2	NVM, Flash. . . . .	109

A.2.1	NVM timing . . . . .	109
A.2.2	NVM Reliability . . . . .	111
A.3	Voltage Regulator . . . . .	113
A.4	Reset, Oscillator and PHY . . . . .	115
A.4.1	Startup . . . . .	115
A.4.2	Oscillator . . . . .	117
A.4.3	USB PHY . . . . .	117
A.5	External Bus Timing . . . . .	119
A.5.1	General Muxed Bus Timing . . . . .	119

## Appendix B Package Information

B.1	General . . . . .	123
B.2	100-pin LQFP Package . . . . .	124
B.3	64-pin LQFP Package . . . . .	125



## List of Figures

Figure 0-1	Order Part Number Coding . . . . .	18
Figure 1-1	MC9S12UF32 Block Diagram . . . . .	23
Figure 1-2	MC9S12UF32 Memory Map (Application Example) . . . . .	25
Figure 2-1	Pin Assignments in 100-pin LQFP. . . . .	49
Figure 2-2	Pin Assignments in 64-pin LQFP. . . . .	50
Figure 2-3	Supply rails for various I/O pins of 100-pin package . . . . .	76
Figure 2-4	Supply rails for various I/O pins of 64-pin package . . . . .	76
Figure 3-1	Clock Connections. . . . .	77
Figure 13-1	Pierce Oscillator Connections . . . . .	91
Figure 22-1	Sample schematic with 64-pin LQFP MC9S12UF32. . . . .	95
Figure A-1	General External Bus Timing. . . . .	119
Figure B-1	100-pin LQFP mechanical dimensions (case no. 983) . . . . .	124
Figure B-2	64-pin LQFP mechanical dimensions (case no. 840F) . . . . .	125



## List of Tables

Table 0-1	Document References . . . . .	17
Table 0-2	Part Number Coding . . . . .	18
Table 1-1	Device Memory Map . . . . .	24
Table 1-2	Assigned Part ID Numbers . . . . .	46
Table 1-3	Memory size registers . . . . .	46
Table 2-1	Configuration selection in 100-pin option. . . . .	47
Table 2-2	Configuration selection in 64-pin option. . . . .	48
Table 2-3	100-pin Signal Properties. . . . .	51
Table 2-4	64-pin Signal Properties. . . . .	54
Table 2-5	MC9S12UF32 Power and Ground Connection Summary . . . . .	74
Table 4-1	Mode Selection . . . . .	78
Table 5-1	Interrupt Vector Locations . . . . .	85
Table 5-2	Reset Summary . . . . .	87
Table 11-1	Queue Channel n Request Mapping . . . . .	90
Table 22-1	Recommended decoupling capacitor choice . . . . .	96
Table A-1	Absolute Maximum Ratings . . . . .	99
Table A-2	ESD and Latch-up Test Conditions . . . . .	100
Table A-3	ESD and Latch-Up Protection Characteristics. . . . .	100
Table A-4	Operating Conditions . . . . .	101
Table A-5	Thermal Package Characteristics . . . . .	102
Table A-6	5V I/O Characteristics . . . . .	104
Table A-7	3.3V I/O Characteristics. . . . .	106
Table A-8	Supply Current Characteristics . . . . .	108
Table A-9	NVM Timing Characteristics . . . . .	110
Table A-10	NVM Reliability Characteristics. . . . .	111
Table A-11	Voltage Regulator Recommended Load Resistances/Capacitances . . . . .	113
Table A-12	Startup Characteristics. . . . .	115
Table A-13	Oscillator Characteristics . . . . .	117
Table A-15	Expanded Bus Timing Characteristics . . . . .	120





## Preface

The SoC Guide provides information about the MC9S12UF32 device made up of standard HCS12 blocks and the HCS12 processor core.

This document is part of the customer documentation. A complete set of device manuals also includes the HCS12 Core User Guide and all the individual Block Guides of the implemented modules. In an effort to reduce redundancy all module specific information is located only in the respective Block Guide. If applicable, special implementation details of the module are given in the block description sections of this document.

See Table 0-1 for names and versions of the referenced documents throughout the Device Guide.

**Table 0-1 Document References**

User Guide	Version	Document Order Number
HCS12 CPU Reference Manual	V02	S12CPUV2/D
HCS12 Breakpoint (BKP) Block Guide	V01	S12BKPV1/D
HCS12 Background Debug (BDM) Block Guide	V04	S12BDMV4/D
HCS12 Module Mapping Control (MMC) Block Guide	V04	S12MMCV4/D
HCS12 Multiplexed External Bus Interface (MEBI) Block Guide	V03	S12MEBIV3/D
HCS12 Interrupt (INT) Block Guide	V01	S12INTV1/D
Clock and Reset Generator (CRG_U) Block Guide	V01	S12CRGUV1/D
Timer: 16 bit, 8 channel (TIM_16B8C) Block Guide	V01	S12TIM16B8CV1/D
Serial Communications Interface (SCI) Block Guide	V04	S12SCIV4/D
32Kbyte Flash EEPROM (FTS32K) Block Guide	V01	S12FTS32KV1/D
Voltage Regulator (VREG_U) Block Guide	V01	S12VREGUV1/D
Oscillator (OSC) Block Guide	V02	S12OSCV2/D
Port Integration Module (PIM_9UF32) Block Guide	V02	S12UF32PIMV2/D
USB 2.0 Device Controller (USB20D6E2F) Block Guide	V01	S12USB20D6E2FV1/D
Integrated Queue Controller (IQUE) Block Guide	V01	S12IQUEV1/D
ATA5 Host Controller (ATA5HC) Block Guide	V01	S12ATA5HCV1/D
Smart Media Host Controller (SMHC) Block Guide	V01	S12SMHCV1/D
Secure Digital Host Controller (SDHC) Block Guide	V01	S12SDHCV1/D
Memory Stick Host Controller (MSHC) Block Guide	V01	S12MSHCV1/D
Compact Flash Host Controller (CFHC) Block Guide	V01	S12CFHCV1/D
SM RAM (SMRAM3P5K2E) Block Guide	V01	S12SMRAM3P5K2EV1/D

Since the device interfaces with several external industrial standards, please refer to the following for details about those interface standards:

- “Information Technology - AT Attachment with Packet Interface - 5 (ATA/ATAPI5),” T13/1321D rev 3, 29 February, 2000, ANSI.
- “CF+ and CompactFlash Specification,” rev. 2.0 5/2003, CompactFlash Association.

- “Memory Stick Information for Developers,” ver. 1.3, 2000, Sony Corp.
- “The MultiMediaCard system specification,” ver. 3.0, 1/2001, MMCA Technical Committee.
- “SD Memory Card Specifications,” ver. 1.0, March 2000, SD Group.
- “Smart Media Electrical Specifications,” ver. 1.0, May 19, 1999, SSFDC Forum Technical Committee.
- “Universal Serial Bus Specification,” rev. 2.0, 27 April 2000, Compaq, Hewlett-Packard, Intel, Lucent, Microsoft, NEC, Philips.

## Part Number

Figure 0-1 provides an ordering number example.

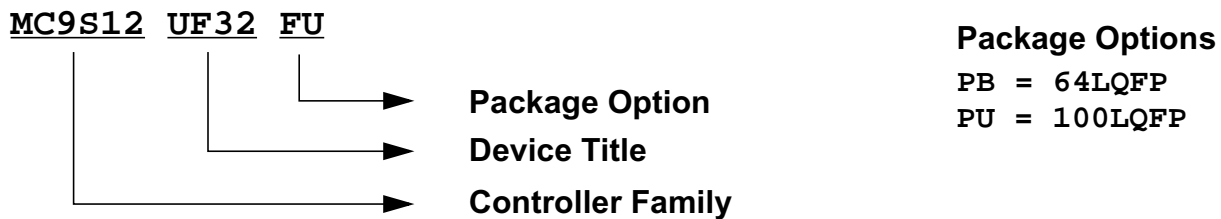


Figure 0-1 Order Part Number Coding

Table 0-2 lists the part number coding based on the package.

Table 0-2 Part Number Coding

Part Number	Package	Description
MC9S12UF32PB	64LQFP	MC9S12UF32
MC9S12UF32PU	100LQFP	MC9S12UF32

# Section 1 Introduction

## 1.1 Overview

The MC9S12UF32 microcontroller unit (MCU) is USB2.0 device for memory card reader and ATA/ATAPI interface applications. This device is composed of standard on-chip modules including a 16-bit central processing unit (HCS12 CPU), 32k bytes of Flash EEPROM, 3.5k bytes of RAM, USB2.0 interface, Integrated Queue Controller (IQUE) block with 1.5k bytes RAM buffer for USB Bulk data transport, ATA5 interface, Compact Flash interface, SD/MMC interface, SmartMedia interface, Memorystick interface, a 16-bit 8-channel timer, Serial Communication Interface, 73 discrete digital I/O channels and 2 input only channels<sup>1</sup>. The MC9S12UF32 has full 16-bit internal data paths throughout.

## 1.2 Features

- HCS12 Core
  - 16-bit HCS12 CPU
    - i. Upward compatible with M68HC11 instruction set
    - ii. Interrupt stacking and programmer's model identical to M68HC11
    - iii. Instruction queue
    - iv. Enhanced indexed addressing
  - Multiplexed External Bus Interface (MEBI)
  - Memory Mapping Control (MMC)
  - Interrupt Control (INT)
  - Single-wire Background Debug Mode (BDM)
  - On-chip hardware Breakpoints (BKP)
- Clock and Reset Generator (CRG\_U)
  - Clock Throttle to prescale the oscillator clock or 60Mhz clock from USB20D6E2F.
  - COP watchdog
  - Real Time Interrupt
- Memory
  - 32K Flash EEPROM
    - Internal program/erase voltage generation
    - Security and Block Protect bits
  - 3.5K byte RAM

### NOTES:

1. Not all functions are available simultaneously.

- Used as a contiguous 3.5k byte SRAM with misaligned access support
- Configurable to 1084 byte SRAM and 2000 x 10 bit SRAM for Smartmedia logical to physical address translation and parity generation/checking support.
- 1.5K byte Queue RAM
  - SRAM used as USB endpoint buffer, access is arbitrated by IQUE module
- 8-channel Timer (TIM)
  - Eight input capture/output compare channels
  - Clock prescaling
  - 16-bit counter
  - 16-bit pulse accumulator
- Serial Interface
  - Asynchronous serial communication interface (SCI)
- Internal Regulator (VREG\_U)
  - Input voltage range from 4.25V to 5.5V
  - Separate Regulation circuits
    - 2.5V Regulator for Core Logic and memory
    - 3.3V Regulator for USB2.0 physical layer interface
    - 3.3V Regulator with off-chip NMOS driver for I/O and memory cards
  - Power on Reset detection
- Integrated Queue Controller (IQUE)
  - Provide block data transfer without CPU intervention
  - Four independent queue channels for data transfer between Queue RAM and peripherals
  - Unified Queue RAM Memory which can be allocated to different usb endpoints and storage interface module
  - Programming model allows implementation of double buffering for maximum burst data throughput of 60M bytes per second between USB20D6E2F and one of the Storage Interfaces
- Universal Serial Bus 2.0 (USB20D6E2F)
  - Intergrated USB2.0 Physical Layer Transceiver (USB20PHY) for High speed and Full Speed operations
  - USB 2.0 Serial Interface Engine (USB20SIE) for High Speed and Full Speed operations compatible
    - Endpoint 0 for Control IN and OUT operation
    - Endpoint 2 and 3 are configurable for Bulk, ISO or Interrupt IN/OUT operation
    - Endpoint buffer with programmable size residing in Queue RAM for endpoints 4 and 5

- Endpoint 0 IN, endpoint 0 OUT, endpoint 2 and endpoint 3 each has an independent 64 bytes fixed endpoint buffer.
- ATA5 Host Controller Interface (ATA5HC)
  - Support PIO mode 0 to 4
  - Support Multi-word DMA mode 0 to 2
  - Support UDMA mode 0 to 4 (Up to 60M Bytes/sec at UDMA mode 4)
  - Sector data can be transferred to and from USB endpoint buffer without CPU intervention using IQUE module
- Compact Flash Host Controller Interface (CFHC)
  - Support Compact Flash memory and I/O mode access operations per CFA specification 1.4
  - Sector data can be transferred to and from USB endpoint buffer without CPU intervention using IQUE module
- Secure Digital and Multimedia Card Host Controller Interface (SDHC)
  - Compatible with the MMC System Specification Version 3.0
  - Compatible with the SD Memory Card Specification 1.0
  - Sector data can be transferred to and from USB endpoint buffer without CPU intervention using IQUE module
- Smartmedia Host Controller Interface (SMHC)
  - Compatible with SmartMedia Specification 1.0
  - Support SmartMedia with memory size of 4M Bytes to 128M Bytes
  - Sector data can be transferred to and from USB endpoint buffer without CPU intervention using IQUE module
- Memorystick Host Controller Interface (MSHC)<sup>1</sup>
  - Compatible with Memory Stick Standard 1.3
  - Sector data can be transferred to and from USB endpoint buffer without CPU intervention using IQUE module
- Two Asynchronous External Interrupt pins
  - XIRQ
  - IRQ<sup>2</sup>
- 100-Pin LQFP package
  - Up to 6 I/O pins with 5V only drive capability and 2 input only 5V pins.
  - Up to 67 I/O pins with 3.3V/5V input and drive capability.

## NOTES:

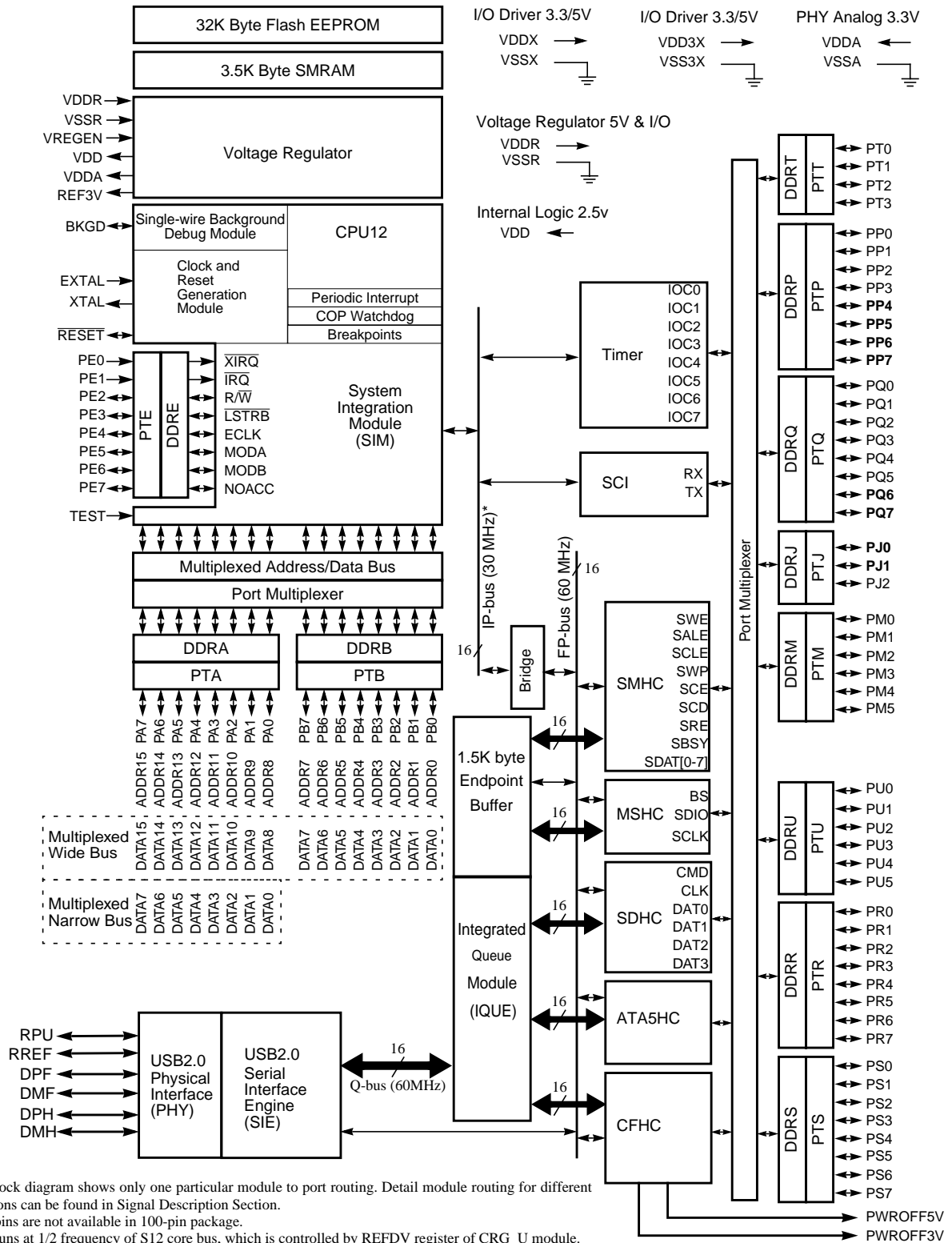
1. The Document for the Memory Stick Host Controller in the 912UF32 will be available to users who have obtained a formal license of Memory Stick from Sony. Memory Stick is a Sony technology.
2. IRQ is not available in 64 pin device.

- 64-Pin LQFP package
  - User selectable subset of modules available.
  - Up to 6 I/O pins with 5V only drive capability and 1 input only 5V pin.
  - Up to 35 I/O pins with 3.3V/5V input and drive capability.
- Operating frequency
  - Maximum 60MHz equivalent to 30MHz CPU Bus Speed for single chip modes.
  - 60MHz operation for IQUE module and storage interface modules attached to IQUE.

## **1.3 Modes of Operation**

- Normal modes
  - Normal Single-Chip Mode
  - Normal Expanded Wide Mode
  - Normal Expanded Narrow Mode
  - Emulation Expanded Wide Mode
  - Emulation Expanded Narrow Mode
- Special Operating Modes
  - Special Single-Chip Mode with active Background Debug Mode
  - Special Test Mode (Freescale use only)
  - Special Peripheral Mode (Freescale use only)
- Each of the above modes of operation can be configured for two Low power sub-modes
  - Stop Mode
  - Wait Mode
- Secure operation, preventing the unauthorized read and write of the flash memory contents.

# 1.4 Block Diagram



\* This block diagram shows only one particular module to port routing. Detail module routing for different applications can be found in Signal Description Section.  
 \* Some pins are not available in 100-pin package.  
 \* IPbus runs at 1/2 frequency of S12 core bus, which is controlled by REFDV register of CRG\_U module.  
 \* Qbus refers to the data transfer channels between IQUE and USB/ATA5HC/CFHC/MSHC/SDHC/SMHC.

Figure 1-1 MC9S12UF32 Block Diagram

## 1.5 Device Memory Map

Table 1-1 shows the device memory map of the MC9S12UF32 after reset.

**Table 1-1 Device Memory Map**

Address	Module	Size (Bytes)	Mapping Register(s)
\$0000 - \$000F	HCS12 Multiplexed External Bus Interface	16	INITRG
\$0010 - \$0014	HCS12 Module Mapping Control	5	
\$0015 - \$0016	HCS12 Interrupt	2	
\$0017 - \$0018	Reserved	2	
\$0019 - \$0019	Voltage Regulator (VREG_U)	1	
\$001A - \$001B	Device ID register (PARTID)	2	
\$001C - \$001D	HCS12 Module Mapping Control	2	
\$001E	HCS12 Multiplexed External Bus Interface	1	
\$001F	HCS12 Interrupt	1	
\$0020 - \$0027	Reserved	8	
\$0028 - \$002F	HCS12 Breakpoint	8	
\$0030 - \$0033	Reserved	4	
\$0034 - \$003F	Clock and Reset Generator (RTI, COP)	12	
\$0040 - \$006F	Standard Timer 16-bit 8 channels (TIM)	48	
\$0070 - \$00C7	Reserved	88	
\$00C8 - \$00CF	Serial Communication Interface (SCI)	8	
\$00D0 - \$00FF	Reserved	48	
\$0100 - \$010F	Flash Control Register	16	
\$0110 - \$011B	Reserved	12	
\$011C - \$011F	RAM Control Register (SMRAM)	4	
\$0120 - \$01BF	Reserved	160	
\$01C0- \$01FF	ATA Host Controller (ATA5HC)	64	
\$0200 - \$023F	Integrated Queue 4 channels (IQUE)	64	
\$0240 - \$027F	Port Integration Module (PIM)	64	
\$0280 - \$029F	CompactFlash Host Controller (CFHC)	32	
\$02A0 - \$02AF	MemoryStick Host Controller (MSHC)	16	
\$02B0 - \$02BF	SmartMedia Host Controller (SMHC)	16	
\$02C0 - \$02DF	Secure Digital Host Controller (SDHC)	32	
\$02E0 - \$02FF	Reserved	32	
\$0300 - \$03FF	USB 2.0 (USB20D6E2F)	256	
\$0000 - \$07FF	QRAM array (IQUE) 1.5K-byte 16-bit SRAM in IQUE module \$0000 - \$05FF 0.5K-byte reserved \$0600-\$07FF	2048	
\$0800 - \$1BC3	RAM array (SMRAM3P5K2E) configurable as 2500-byte 16-bit SRAM \$1200 - \$1BC3 or two 10-bit even byte aligned SRAM located at \$0800 - \$0FCF and \$1000 - \$17CF Unmapped locations in range \$0800 - \$1BC3 are reserved	5060	INITRM
\$1BC4 - \$1FFF	RAM array (SMRAM3P5K2E) 1084-byte 16-bit SRAM	1084	

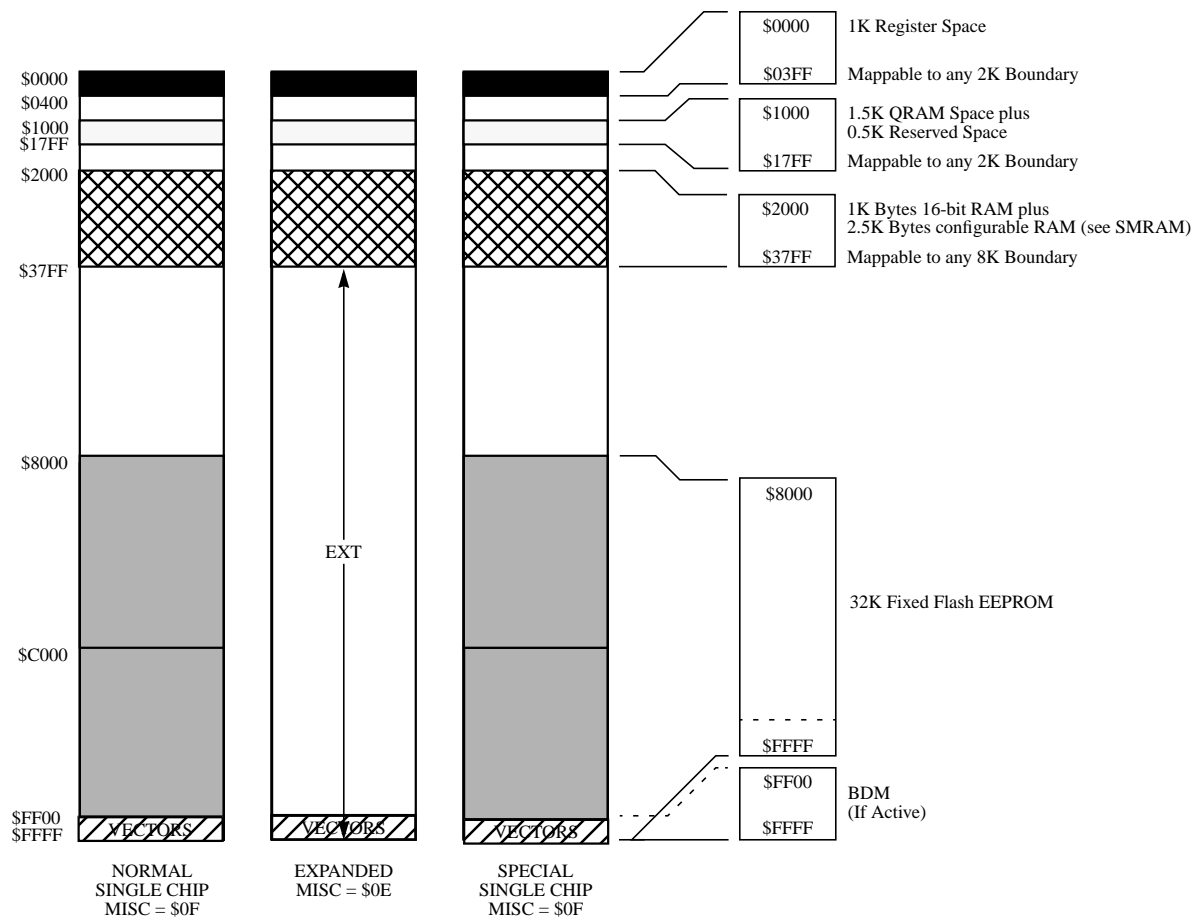


**Table 1-1 Device Memory Map**

\$1800 - \$3FFF	Reserved	10240	
\$4000 - \$7FFF	16K-byte Flash EEPROM Array (addresses valid only when ROMHM=0 of register MISC)	16384	PPAGE, MISC
\$8000 - \$BFFF	16K-byte Paged Window	16384	
\$C000 - \$FFFF	16K-byte Flash EEPROM Array	16384	

NOTES:

1. QRAM starting address is controlled by INITEE register and QRAM has the same priority as EEPROM memory block. For details about signal priority, please refer to HCS12 MMC Block Guide.



**Figure 1-2 MC9S12UF32 Memory Map (Application Example)**

### 1.5.1 Detailed Register Map

#### \$0000 - \$000F

#### MEBI map 1 of 3 (HCS12 Multiplexed External Bus Interface)

Address	Name		Bit 7	Bit 6	Bit 5	Bit 4	Bit 3	Bit 2	Bit 1	Bit 0
\$0000	PORTA	Read: Write:	Bit 7	6	5	4	3	2	1	Bit 0
\$0001	PORTB	Read: Write:	Bit 7	6	5	4	3	2	1	Bit 0
\$0002	DDRA	Read: Write:	Bit 7	6	5	4	3	2	1	Bit 0
\$0003	DDRB	Read: Write:	Bit 7	6	5	4	3	2	1	Bit 0
\$0004 - \$0007	Reserved	Read: Write:	0	0	0	0	0	0	0	0
\$0008	PORTE	Read: Write:	Bit 7	6	5	4	3	2	Bit 1	Bit 0
\$0009	DDRE	Read: Write:	Bit 7	6	5	4	3	Bit 2	0	0
\$000A	PEAR	Read: Write:	NOACCE	0	PIPOE	NECLK	LSTRE	RDWE	0	0
\$000B	MODE	Read: Write:	MODC	MODB	MODA	0	IVIS	0	EMK	EME
\$000C	PUCR	Read: Write:	PUPKE	0	0	PUPEE	0	0	PUPBE	PUPAE
\$000D	RDRIV	Read: Write:	RDPK	0	0	RDPE	0	0	RDPB	RDPA
\$000E	EBICTL	Read: Write:	0	0	0	0	0	0	0	ESTR
\$000F	Reserved	Read: Write:	0	0	0	0	0	0	0	0

#### \$0010 - \$0014

#### MMC map 1 of 4 (HCS12 Module Mapping Control)

Address	Name		Bit 7	Bit 6	Bit 5	Bit 4	Bit 3	Bit 2	Bit 1	Bit 0
\$0010	INITRM	Read: Write:	RAM15	RAM14	RAM13	RAM12	RAM11	0	0	RAMHAL
\$0011	INITRG	Read: Write:	0	REG14	REG13	REG12	REG11	0	0	0
\$0012	INITEE	Read: Write:	EE15	EE14	EE13	EE12	EE11	0	0	EEON
\$0013	MISC	Read: Write:	0	0	0	0	EXSTR1	EXSTR0	ROMHM	ROMON
\$0014	Reserved	Read: Write:	0	0	0	0	0	0	0	0

**\$0015 - \$0016****INT map 1 of 2 (HCS12 Interrupt)**

Address	Name	Bit 7	Bit 6	Bit 5	Bit 4	Bit 3	Bit 2	Bit 1	Bit 0
\$0015	ITCR	Read: 0	0	0	WRINT	ADR3	ADR2	ADR1	ADR0
		Write:							
\$0016	ITEST	Read: INTE	INTC	INTA	INT8	INT6	INT4	INT2	INT0
		Write:							

**\$0017 - \$0017****MMC map 2 of 4 (HCS12 Module Mapping Control)**

Address	Name	Bit 7	Bit 6	Bit 5	Bit 4	Bit 3	Bit 2	Bit 1	Bit 0
\$0017	Reserved	Read: 0	0	0	0	0	0	0	0
		Write:							

**\$0018 - \$0018****Reserved**

Address	Name	Bit 7	Bit 6	Bit 5	Bit 4	Bit 3	Bit 2	Bit 1	Bit 0
\$0018	Reserved	Read: 0	0	0	0	0	0	0	0
		Write:							

**\$0019 - \$0019****VREG\_U (Voltage Regulator)**

Address	Name	Bit 7	Bit 6	Bit 5	Bit 4	Bit 3	Bit 2	Bit 1	Bit 0
\$0019	Reserved for factory testing	Read:							
		Write:							

**\$001A - \$001B****Device ID Register (Table 1-2)**

Address	Name	Bit 7	Bit 6	Bit 5	Bit 4	Bit 3	Bit 2	Bit 1	Bit 0
\$001A	PARTIDH	Read: ID15	ID14	ID13	ID12	ID11	ID10	ID9	ID8
		Write:							
\$001B	PARTIDL	Read: ID7	ID6	ID5	ID4	ID3	ID2	ID1	ID0
		Write:							

**\$001C - \$001D****MMC map 3 of 4 (HCS12 Module Mapping Control, Table 1-3)**

Address	Name	Bit 7	Bit 6	Bit 5	Bit 4	Bit 3	Bit 2	Bit 1	Bit 0
\$001C	MEMSIZ0	Read: reg_sw0	0	eep_sw1	eep_sw0	0	ram_sw2	ram_sw1	ram_sw0
		Write:							
\$001D	MEMSIZ1	Read: rom_sw1	rom_sw0	0	0	0	0	pag_sw1	pag_sw0
		Write:							

**\$001E - \$001E****MEBI map 2 of 3 (HCS12 Multiplexed External Bus Interface)**

Address	Name	Bit 7	Bit 6	Bit 5	Bit 4	Bit 3	Bit 2	Bit 1	Bit 0
\$001E	INTCR	Read: IRQE	IRQEN	0	0	0	0	0	0
		Write:							

**\$001F - \$001F**

**INT map 2 of 2 (HCS12 Interrupt)**

Address	Name	Bit 7	Bit 6	Bit 5	Bit 4	Bit 3	Bit 2	Bit 1	Bit 0
\$001F	HPRIO	PSEL7	PSEL6	PSEL5	PSEL4	PSEL3	PSEL2	PSEL1	0

**\$0020 - \$0027**

**Reserved**

Address	Name	Bit 7	Bit 6	Bit 5	Bit 4	Bit 3	Bit 2	Bit 1	Bit 0
\$0020 - \$0027	Reserved	0	0	0	0	0	0	0	0

**\$0028 - \$002F**

**BKP (HCS12 Breakpoint)**

Address	Name	Bit 7	Bit 6	Bit 5	Bit 4	Bit 3	Bit 2	Bit 1	Bit 0
\$0028	BKPCT0	BKEN	BKFULL	BKBDM	BKTAG	0	0	0	0
\$0029	BKPCT1	BK0MBH	BK0MBL	BK1MBH	BK1MBL	BK0RWE	BK0RW	BK1RWE	BK1RW
\$002A	BKP0X	0	0	BK0V5	BK0V4	BK0V3	BK0V2	BK0V1	BK0V0
\$002B	BKP0H	Bit 15	14	13	12	11	10	9	Bit 8
\$002C	BKP0L	Bit 7	6	5	4	3	2	1	Bit 0
\$002D	BKP1X	0	0	BK1V5	BK1V4	BK1V3	BK1V2	BK1V1	BK1V0
\$002E	BKP1H	Bit 15	14	13	12	11	10	9	Bit 8
\$002F	BKP1L	Bit 7	6	5	4	3	2	1	Bit 0

**\$0030 - \$0031**

**MMC map 4 of 4 (HCS12 Module Mapping Control)**

Address	Name	Bit 7	Bit 6	Bit 5	Bit 4	Bit 3	Bit 2	Bit 1	Bit 0
\$0030	Reserved	0	0	0	0	0	0	0	0
\$0031	Reserved	0	0	0	0	0	0	0	0

**\$0032 - \$0033**

**MEBI map 3 of 3 (HCS12 Multiplexed External Bus Interface)**

Address	Name	Bit 7	Bit 6	Bit 5	Bit 4	Bit 3	Bit 2	Bit 1	Bit 0
\$0032	Reserved	0	0	0	0	0	0	0	0
\$0033	Reserved	0	0	0	0	0	0	0	0

**\$0034 - \$003F****CRG\_U (Clock and Reset Generator)**

Address	Name		Bit 7	Bit 6	Bit 5	Bit 4	Bit 3	Bit 2	Bit 1	Bit 0
\$0034	Reserved	Read:	0	0	0	0	0	0	0	0
		Write:								
\$0035	REFDV	Read:	0	0	0	0	REFDV3	REFDV2	REFDV1	REFDV0
		Write:								
\$0036	CTFLG Test Only	Read:	TOUT7	TOUT6	TOUT5	TOUT4	TOUT3	TOUT2	TOUT1	TOUT0
		Write:								
\$0037	CRGFLG	Read:	RTIF	PORF	0	LOCKIF	LOCK	0	0	0
		Write:								
\$0038	CRGINT	Read:	RTIE	0	0	LOCKIE	0	0	0	0
		Write:								
\$0039	CLKSEL	Read:	PLLSEL	0	SYSWAI	ROAWAI	0	CWAI	RTIWAI	COPWAI
		Write:								
\$003A	Reserved	Read:	0	0	0	0	0	0	0	0
		Write:								
\$003B	RTICTL	Read:	0	RTR6	RTR5	RTR4	RTR3	RTR2	RTR1	RTR0
		Write:								
\$003C	COPCTL	Read:	WCOP	RSBCK	0	0	0	CR2	CR1	CR0
		Write:								
\$003D	FORBYP Test Only	Read:	RTIBYP	COPBYP	0	0	0	0	FCM	0
		Write:								
\$003E	CTCTL Test Only	Read:	TCTL7	TCTL6	TCTL5	TCTL4	TCTL3	TCTL2	TCTL1	TCTL0
		Write:								
\$003F	ARMCOP	Read:	0	0	0	0	0	0	0	0
		Write:	Bit 7	6	5	4	3	2	1	Bit 0

**\$0040 - \$006F****TIM (Timer 16-Bit 8 Channels)**

Address	Name		Bit 7	Bit 6	Bit 5	Bit 4	Bit 3	Bit 2	Bit 1	Bit 0
\$0040	TIOS	Read:	IOS7	IOS6	IOS5	IOS4	IOS3	IOS2	IOS1	IOS0
		Write:								
\$0041	CFORC	Read:	0	0	0	0	0	0	0	0
		Write:	FOC7	FOC6	FOC5	FOC4	FOC3	FOC2	FOC1	FOC0
\$0042	OC7M	Read:	OC7M7	OC7M6	OC7M5	OC7M4	OC7M3	OC7M2	OC7M1	OC7M0
		Write:								
\$0043	OC7D	Read:	OC7D7	OC7D6	OC7D5	OC7D4	OC7D3	OC7D2	OC7D1	OC7D0
		Write:								
\$0044	TCNT (hi)	Read:	Bit 15	14	13	12	11	10	9	Bit 8
		Write:								
\$0045	TCNT (lo)	Read:	Bit 7	6	5	4	3	2	1	Bit 0
		Write:								
\$0046	TSCR1	Read:	TEN	TSWAI	TSFRZ	TFFCA	0	0	0	0
		Write:								
\$0047	TTOV	Read:	TOV7	TOV6	TOV5	TOV4	TOV3	TOV2	TOV1	TOV0
		Write:								
\$0048	TCTL1	Read:	OM7	OL7	OM6	OL6	OM5	OL5	OM4	OL4
		Write:								
\$0049	TCTL2	Read:	OM3	OL3	OM2	OL2	OM1	OL1	OM0	OL0
		Write:								

**\$0040 - \$006F**

**TIM (Timer 16-Bit 8 Channels)**

Address	Name		Bit 7	Bit 6	Bit 5	Bit 4	Bit 3	Bit 2	Bit 1	Bit 0
\$004A	TCTL3	Read: Write:	EDG7B	EDG7A	EDG6B	EDG6A	EDG5B	EDG5A	EDG4B	EDG4A
\$004B	TCTL4	Read: Write:	EDG3B	EDG3A	EDG2B	EDG2A	EDG1B	EDG1A	EDG0B	EDG0A
\$004C	TIE	Read: Write:	C7I	C6I	C5I	C4I	C3I	C2I	C1I	C0I
\$004D	TSCR2	Read: Write:	TOI	0	0	0	TCRE	PR2	PR1	PR0
\$004E	TFLG1	Read: Write:	C7F	C6F	C5F	C4F	C3F	C2F	C1F	C0F
\$004F	TFLG2	Read: Write:	TOF	0	0	0	0	0	0	0
\$0050	TC0 (hi)	Read: Write:	Bit 15	14	13	12	11	10	9	Bit 8
\$0051	TC0 (lo)	Read: Write:	Bit 7	6	5	4	3	2	1	Bit 0
\$0052	TC1 (hi)	Read: Write:	Bit 15	14	13	12	11	10	9	Bit 8
\$0053	TC1 (lo)	Read: Write:	Bit 7	6	5	4	3	2	1	Bit 0
\$0054	TC2 (hi)	Read: Write:	Bit 15	14	13	12	11	10	9	Bit 8
\$0055	TC2 (lo)	Read: Write:	Bit 7	6	5	4	3	2	1	Bit 0
\$0056	TC3 (hi)	Read: Write:	Bit 15	14	13	12	11	10	9	Bit 8
\$0057	TC3 (lo)	Read: Write:	Bit 7	6	5	4	3	2	1	Bit 0
\$0058	TC4 (hi)	Read: Write:	Bit 15	14	13	12	11	10	9	Bit 8
\$0059	TC4 (lo)	Read: Write:	Bit 7	6	5	4	3	2	1	Bit 0
\$005A	TC5 (hi)	Read: Write:	Bit 15	14	13	12	11	10	9	Bit 8
\$005B	TC5 (lo)	Read: Write:	Bit 7	6	5	4	3	2	1	Bit 0
\$005C	TC6 (hi)	Read: Write:	Bit 15	14	13	12	11	10	9	Bit 8
\$005D	TC6 (lo)	Read: Write:	Bit 7	6	5	4	3	2	1	Bit 0
\$005E	TC7 (hi)	Read: Write:	Bit 15	14	13	12	11	10	9	Bit 8
\$005F	TC7 (lo)	Read: Write:	Bit 7	6	5	4	3	2	1	Bit 0
\$0060	PACTL	Read: Write:	0	PAEN	PAMOD	PEDGE	CLK1	CLK0	PAOVI	PAI
\$0061	PAFLG	Read: Write:	0	0	0	0	0	0	PAOVF	PAIF
\$0062	PACNT (hi)	Read: Write:	Bit 7	6	5	4	3	2	1	Bit 0

**\$0040 - \$006F****TIM (Timer 16-Bit 8 Channels)**

Address	Name		Bit 7	Bit 6	Bit 5	Bit 4	Bit 3	Bit 2	Bit 1	Bit 0
\$0063	PACNT (Io)	Read: Write:	Bit 7	6	5	4	3	2	1	Bit 0
\$0064	Reserved	Read: Write:	0	0	0	0	0	0	0	0
\$0065	Reserved	Read: Write:	0	0	0	0	0	0	0	0
\$0066	Reserved	Read: Write:	0	0	0	0	0	0	0	0
\$0067	Reserved	Read: Write:	0	0	0	0	0	0	0	0
\$0068	Reserved	Read: Write:	0	0	0	0	0	0	0	0
\$0069	Reserved	Read: Write:	0	0	0	0	0	0	0	0
\$006A	Reserved	Read: Write:	0	0	0	0	0	0	0	0
\$006B	Reserved	Read: Write:	0	0	0	0	0	0	0	0
\$006C	Reserved	Read: Write:	0	0	0	0	0	0	0	0
\$006D	Reserved	Read: Write:	0	0	0	0	0	0	0	0
\$006E	Reserved	Read: Write:	0	0	0	0	0	0	0	0
\$006F	Reserved	Read: Write:	0	0	0	0	0	0	0	0

**\$0070 - \$00C7****Reserved**

Address	Name		Bit 7	Bit 6	Bit 5	Bit 4	Bit 3	Bit 2	Bit 1	Bit 0
\$0070 - \$00C7	Reserved	Read: Write:	0	0	0	0	0	0	0	0

**\$00C8 - \$00CF****SCI (Asynchronous Serial Interface)**

Address	Name		Bit 7	Bit 6	Bit 5	Bit 4	Bit 3	Bit 2	Bit 1	Bit 0
\$00C8	SCIBDH	Read: Write:	0	0	0	SBR12	SBR11	SBR10	SBR9	SBR8
\$00C9	SCIBDL	Read: Write:	SBR7	SBR6	SBR5	SBR4	SBR3	SBR2	SBR1	SBR0
\$00CA	SCICR1	Read: Write:	LOOPS	SCISWAI	RSRC	M	WAKE	ILT	PE	PT
\$00CB	SCICR2	Read: Write:	TIE	TCIE	RIE	ILIE	TE	RE	RWU	SBK
\$00CC	SCISR1	Read: Write:	TDRE	TC	RDRF	IDLE	OR	NF	FE	PF

**\$00C8 - \$00CF**

**SCI (Asynchronous Serial Interface)**

Address	Name		Bit 7	Bit 6	Bit 5	Bit 4	Bit 3	Bit 2	Bit 1	Bit 0
\$00CD	SCISR2	Read:	0	0	0	0	0	BRK13	TXDIR	RAF
		Write:								
\$00CE	SCIDRH	Read:	R8	T8	0	0	0	0	0	0
		Write:								
\$00CF	SCIDRL	Read:	R7	R6	R5	R4	R3	R2	R1	R0
		Write:	T7	T6	T5	T4	T3	T2	T1	T0

**\$00D0 - \$00FF**

**Reserved**

Address	Name		Bit 7	Bit 6	Bit 5	Bit 4	Bit 3	Bit 2	Bit 1	Bit 0
\$00D0 - \$00FF	Reserved	Read:	0	0	0	0	0	0	0	0
		Write:								

**\$0100 - \$010F**

**Flash Control Register**

Address	Name		Bit 7	Bit 6	Bit 5	Bit 4	Bit 3	Bit 2	Bit 1	Bit 0
\$0100	FCLKDIV	Read:	FDIVLD	PRDIV8	FDIV5	FDIV4	FDIV3	FDIV2	FDIV1	FDIV0
		Write:								
\$0101	FSEC	Read:	KEYEN1	KEYEN0	NV5	NV4	NV3	NV2	SEC1	SEC0
		Write:								
\$0102	FTSTMOD	Read:	0	0	0	WRALL	0	0	0	0
		Write:								
\$0103	FCNFG	Read:	CBEIE	CCIE	KEYACC	0	0	0	BKSEL1	BKSEL0
		Write:								
\$0104	FPROT	Read:	FPOPEN	NV6	FPHDIS	FPHS1	FPHS0	FPLDIS	FPLS1	FPLS0
		Write:								
\$0105	FSTAT	Read:	CBEIF	CCIF	PVIOL	ACCERR	0	BLANK	0	0
		Write:								
\$0106	FCMD	Read:	0	CMDB6	CMDB5	0	0	CMDB2	0	CMDB0
		Write:								
\$0107	Reserved for Factory Test	Read:	0	0	0	0	0	0	0	0
		Write:								
\$0108	Reserved for Factory Test	Read:	0	0	0	0	0	0	0	0
		Write:								
\$0109	Reserved for Factory Test	Read:	0	0	0	0	0	0	0	0
		Write:								
\$010A	Reserved for Factory Test	Read:	0	0	0	0	0	0	0	0
		Write:								
\$010B	Reserved for Factory Test	Read:	0	0	0	0	0	0	0	0
		Write:								
\$010C - \$010F	Reserved	Read:	0	0	0	0	0	0	0	0
		Write:								



**\$0110 - \$011B****Reserved**

Address	Name	Bit 7	Bit 6	Bit 5	Bit 4	Bit 3	Bit 2	Bit 1	Bit 0
\$0110 - \$011B	Reserved	0	0	0	0	0	0	0	0
		Write:							

**\$011C - \$011F****SMRAM Control Register**

Address	Name	Bit 7	Bit 6	Bit 5	Bit 4	Bit 3	Bit 2	Bit 1	Bit 0
\$011C	SMRAMCFG	0	0	0	0	0	0	0	SMMODE
		Write:							
\$011D	SMRAMSTAT	0	0	0	0	0	0	0	PSMBA
		Write:							
\$011E - \$011F	Reserved	0	0	0	0	0	0	0	0
		Write:							

**\$0120 - \$01BF****Reserved**

Address	Name	Bit 7	Bit 6	Bit 5	Bit 4	Bit 3	Bit 2	Bit 1	Bit 0
\$0120 - \$01BF	Reserved	0	0	0	0	0	0	0	0
		Write:							

**\$01C0 - \$01FF****ATA Host Controller (ATA5HC)**

Address	Name	Bit 7	Bit 6	Bit 5	Bit 4	Bit 3	Bit 2	Bit 1	Bit 0
\$01C0	HCFG (hi)	SMR	FR	0	0	CLK_EN	XNW	IE	IORDY_EN
				Write:					
\$01C1	HCFG (lo)	0	0	0	0	0	0	0	0
		Write:							
\$01C2	HSR (hi)	TIP	UREP	DRAB	0	FF	FE	RERR	WERR
\$01C3	HSR (lo)	0	0	0	0	0	0	0	0
		Write:							
\$01C4	HPIO1 (hi)	0	PIO_T0						
		Write:							
\$01C5	HPIO1 (lo)	0	0	PIO_T2_8					
		Write:							
\$01C6	HPIO2 (hi)	0	0	PIO_T2_16					
		Write:							
\$01C7	HPIO2 (lo)	0	0	0	0	PIO_T2I			
		Write:							
\$01C8	HPIO3 (hi)	0	0	0	0	0	PIO_T4		
		Write:							
\$01C9	HPIO3 (lo)	0	0	0	0	PIO_T1			
		Write:							
\$01CA	HPIO4 (hi)	0	0	0	0	0	PIO_TA		
		Write:							
\$01CB	HPIO4 (lo)	0	0	0	0	0	0	0	0
		Write:							

**\$01C0 - \$01FF**

**ATA Host Controller (ATA5HC)**

Address	Name		Bit 7	Bit 6	Bit 5	Bit 4	Bit 3	Bit 2	Bit 1	Bit 0
\$01CC	HDMA1 (hi)	Read:	0	DMA_T0						
		Write:								
\$01CD	HDMA1 (lo)	Read:	0	0	DMA_TD					
		Write:								
\$01CE	HDMA2 (hi)	Read:	0	0	DMA_TK					
		Write:								
\$01CF	HDMA2 (lo)	Read:	0	0	0	0	DMA_TM			
		Write:								
\$01D0	HDMA3 (hi)	Read:	0	0	0	0	0	DMA_TH		
		Write:								
\$01D1	HDMA3 (lo)	Read:	0	0	0	0	0	DMA_TJ		
		Write:								
\$01D2	HDMA4 (hi)	Read:	0	0	0	0	0	DMA_TN		
		Write:								
\$01D3	HDMA4 (lo)	Read:	0	0	0	0	0	0	0	0
		Write:								
\$01D4	HUDMA1 (hi)	Read:	0	0	UDMA_T2CYCTYP					
		Write:								
\$01D5	HUDMA1 (lo)	Read:	0	0	0	UDMA_TCYC				
		Write:								
\$01D6	HUDMA2 (hi)	Read:	0	0	0	0	0	UDMA_TDS		
		Write:								
\$01D7	HUDMA2 (lo)	Read:	0	0	0	0	0	UDMA_TDH		
		Write:								
\$01D8	HUDMA3 (hi)	Read:	0	0	0	UDMA_TDVS				
		Write:								
\$01D9	HUDMA3 (lo)	Read:	0	0	0	0	0	UDMA_TDVH		
		Write:								
\$01DA	HUDMA4 (hi)	Read:	0	0	UDMA_TFS					
		Write:								
\$01DB	HUDMA4 (lo)	Read:	0	0	TDMA_TU					
		Write:								
\$01DC	HUDMA5 (hi)	Read:	0	0	0	0	0	UDMA_TMLI		
		Write:								
\$01DD	HUDMA5 (lo)	Read:	0	0	0	0	0	UDMA_TAZ		
		Write:								
\$01DE	HUDMA6 (hi)	Read:	0	0	0	UDMA_TENV				
		Write:								
\$01DF	HUDMA6 (lo)	Read:	0	0	0	0	UDMA_TSR			
		Write:								
\$01E0	HUDMA7 (hi)	Read:	0	0	0	0	UDMA_TSS			
		Write:								
\$01E1	HUDMA7 (lo)	Read:	0	0	0	UDMA_TRFS				
		Write:								
\$01E2	HUDMA8 (hi)	Read:	0	0	UDMA_TRP					
		Write:								
\$01E3	HUDMA8 (lo)	Read:	0	0	0	0	0	UDMA_TACK		
		Write:								
\$01E4	HUDMA9 (hi)	Read:	0	0	0	0	0	UDMA_TZAH		
		Write:								

**\$01C0 - \$01FF****ATA Host Controller (ATA5HC)**

Address	Name		Bit 7	Bit 6	Bit 5	Bit 4	Bit 3	Bit 2	Bit 1	Bit 0	
\$01E5	HUDMA9 (lo)	Read:	0	0	0	0	0	0	0	0	
		Write:									
\$01E6 - \$01ED	Reserved	Read:	0	0	0	0	0	0	0	0	
		Write:									
\$01EE	DCTR/DASR <sup>1</sup> (hi)	Read:	BSY	DRDY	#		DRQ	obs		ERR	
		Write:						SRST	nIEN	ZERO	
\$01EF	DCTR/DASR <sup>1</sup> (lo)	Read:	0	0	0	0	0	0	0	0	
		Write:									
\$01F0	DDR (hi) <sup>1</sup>	Read:	BYTE_E								
		Write:	BYTE_E								
\$01F1	DDR (lo) <sup>1</sup>	Read:	BYTE_O								
		Write:	BYTE_O								
\$01F2	DFR/DER (hi) <sup>1</sup>	Read:	#r1					ABRT	#r2		
		Write:	#w								
\$01F3	DFR/DER (lo) <sup>1</sup>	Read:	0	0	0	0	0	0	0	0	
		Write:									
\$01F4	DSCR (hi) <sup>1</sup>	Read:	#								
		Write:	#								
\$01F5	DSCR (lo) <sup>1</sup>	Read:	0	0	0	0	0	0	0	0	
		Write:									
\$01F6	DSNR (hi) <sup>1</sup>	Read:	#								
		Write:	#								
\$01F7	DSNR (lo) <sup>1</sup>	Read:	0	0	0	0	0	0	0	0	
		Write:									
\$01F8	DCLR (hi) <sup>1</sup>	Read:	#								
		Write:	#								
\$01F9	DCLR (lo) <sup>1</sup>	Read:	0	0	0	0	0	0	0	0	
		Write:									
\$01FA	DCHR (hi) <sup>1</sup>	Read:	#								
		Write:	#								
\$01FB	DCHR (lo) <sup>1</sup>	Read:	0	0	0	0	0	0	0	0	
		Write:									
\$01FC	DDHR (hi) <sup>1</sup>	Read:	obs	#1	obs	DEV	#2				
		Write:	obs	#1	obs	DEV	#2				
\$01FD	DDHR (lo) <sup>1</sup>	Read:	0	0	0	0	0	0	0	0	
		Write:									
\$01FE	DCR/DSR (hi) <sup>1</sup>	Read:	BSY	DRDY	#r		DRQ	obs		ERR	
		Write:	#w								
\$01FF	HDMAM (lo)	Read:	PIE	HUT	AF	0	IE	UDMA	RD	WR	
		Write:	PIE	HUT	AF	0	IE	UDMA	RD	WR	

## NOTES:

1. These registers are mapped to the registers on an external ATA/ATAPI device, for detail explanation of the #, #r1, #r2, #w, #1, #2 field, please refer to the ATAHC block guide and ATA/ATAPI standards.

**\$0200 - \$023F**

**IQUE (Integrated Queue Module)**

Address	Name	Bit 7	Bit 6	Bit 5	Bit 4	Bit 3	Bit 2	Bit 1	Bit 0	
\$0200	IQUERCR	Read:	0	0	0	QC34DBE	QC12DBE	0	0	IQUEREN
		Write:							IQUERST	
\$0201	Reserved	Read:	0	0	0	0	0	0	0	
		Write:								
\$0202	QC1DR (hi)	Read:	Q1DATA							
		Write:	Q1DATA							
\$0203	QC1DR (lo)	Read:	Q1DATA							
		Write:	Q1DATA							
\$0204	QC1BP (hi)	Read:	0	0	0	0	BEGPTR			
		Write:								
\$0205	QC1BP (lo)	Read:	BEGPTR							
		Write:	BEGPTR							
\$0206	QC1EP (hi)	Read:	0	0	0	0	ENDPTR			
		Write:								
\$0207	QC1EP (lo)	Read:	ENDPTR							
		Write:	ENDPTR							
\$0208	QC1CR	Read:	Q1VIE	Q1EIE	Q1FIE	Q1EN	Q1SML	Q116EN	Q1THRU	0
		Write:								Q1PRST
\$0209	QC1SR	Read:	Q1VSF	Q1FSF	Q1ESF	Q1VIF	Q1FIF	Q1EIF	0	0
		Write:				0	0	0		
\$020A	QC1SZB	Read:	QSIZE				QBASE			
		Write:	QSIZE				QBASE			
\$020B	QC1REQ	Read:	0	0	0	0	Q1REQ			
		Write:								
\$020C	QC2DR (hi)	Read:	Q2DATA							
		Write:	Q2DATA							
\$020D	QC2DR (lo)	Read:	Q2DATA							
		Write:	Q2DATA							
\$020E	QC2BP (hi)	Read:	0	0	0	0	BEGPTR			
		Write:								
\$020F	QC2BP (lo)	Read:	BEGPTR							
		Write:	BEGPTR							
\$0210	QC2EP (hi)	Read:	0	0	0	0	ENDPTR			
		Write:								
\$0211	QC2EP (lo)	Read:	ENDPTR							
		Write:	ENDPTR							
\$0212	QC2CR	Read:	Q2VIE	Q2EIE	Q2FIE	Q2EN	Q2SML	Q216EN	Q2THRU	0
		Write:								Q2PRST
\$0213	QC2SR	Read:	Q2VSF	Q2FSF	Q2ESF	Q2VIF	Q2FIF	Q2EIF	0	0
		Write:				0	0	0		
\$0214	QC2SZB	Read:	QSIZE				QBASE			
		Write:	QSIZE				QBASE			
\$0215	QC2REQ	Read:	0	0	0	0	Q2REQ			
		Write:								
\$0216	QC3DR (hi)	Read:	Q3DATA							
		Write:	Q3DATA							
\$0217	QC3DR (lo)	Read:	Q3DATA							
		Write:	Q3DATA							
\$0218	QC3BP (hi)	Read:	0	0	0	0	BEGPTR			
		Write:								

**\$0200 - \$023F**

**IQUE (Integrated Queue Module)**

Address	Name		Bit 7	Bit 6	Bit 5	Bit 4	Bit 3	Bit 2	Bit 1	Bit 0
\$0219	QC3BP (lo)	Read:	BEGPTR							
		Write:								
\$021A	QC3EP (hi)	Read:	0	0	0	0	ENDPTR			
		Write:								
\$021B	QC3EP (lo)	Read:	ENDPTR							
		Write:								
\$021C	QC3CR	Read:	Q3VIE	Q3EIE	Q3FIE	Q3EN	Q3SML	Q316EN	Q3THRU	0
		Write:								Q3PRST
\$021D	QC3SR	Read:	Q3VSF	Q3FSF	Q3ESF	Q3VIF	Q3FIF	Q3EIF	0	0
		Write:				0	0	0		
\$021E	QC3SZB	Read:	QSIZE				QBASE			
		Write:								
\$021F	QC3REQ	Read:	0	0	0	0	Q3REQ			
		Write:								
\$0220	QC4DR (hi)	Read:	Q4DATA							
		Write:								
\$0221	QC4DR (lo)	Read:	Q4DATA							
		Write:								
\$0222	QC4BP (hi)	Read:	0	0	0	0	BEGPTR			
		Write:								
\$0223	QC4BP (lo)	Read:	BEGPTR							
		Write:								
\$0224	QC4EP (hi)	Read:	0	0	0	0	ENDPTR			
		Write:								
\$0225	QC4EP (lo)	Read:	ENDPTR							
		Write:								
\$0226	QC4CR	Read:	Q4VIE	Q4EIE	Q4FIE	Q4EN	Q4SML	Q416EN	Q4THRU	0
		Write:								Q4PRST
\$0227	QC4SR	Read:	Q4VSF	Q4FSF	Q4ESF	Q4VIF	Q4FIF	Q4EIF	0	0
		Write:				0	0	0		
\$0228	QC4SZB	Read:	QSIZE				QBASE			
		Write:								
\$0229	QC4REQ	Read:	0	0	0	0	Q4REQ			
		Write:								
\$022A	QC12DCR	Read:	0	0	0	SBTE	DBTIE	DBEIE	DBFIE	0
		Write:								DBRST
\$022B	QC34DCR	Read:	0	0	0	SBTE	DBTIE	DBEIE	DBFIE	0
		Write:								DBRST
\$022C	QC12DSR	Read:	DBTCIF	DBEIF	DBFIF	0	0	0	DBSF	
		Write:								
\$022D	QC34DSR	Read:	DBTCIF	DBEIF	DBFIF	0	0	0	DBSF	
		Write:								
\$022E	QCDCT (hi)	Read:	DBTRAN34							
		Write:								
\$022F	QCDCT (lo)	Read:	DBTRAN12							
		Write:								

**\$0200 - \$023F**

**IQUE (Integrated Queue Module)**

Address	Name		Bit 7	Bit 6	Bit 5	Bit 4	Bit 3	Bit 2	Bit 1	Bit 0
\$0230	QC12DSHR	Read:	0	0	0	0	0	0	DRHE	DTHE
		Write:	RXDF	RXDA	TXRD	TXDA				
\$0231	QC34DSHR	Read:	0	0	0	0	0	0	DRHE	DTHE
		Write:	RXDF	RXDA	TXRD	TXDA				
\$0232 - \$023F	Reserved	Read:	0	0	0	0	0	0	0	0
		Write:								

**\$0240 - \$027F**

**PIM (Port Integration Module PIM\_9UF32)**

Address	Name		Bit 7	Bit 6	Bit 5	Bit 4	Bit 3	Bit 2	Bit 1	Bit 0
\$0240	PTT	Read:	0	0	0	0	PTT3	PTT2	PTT1	PTT0
		Write:								
\$0241	PTIT	Read:	0	0	0	0	PTIT3	PTIT2	PTIT1	PTIT0
		Write:								
\$0242	DDRT	Read:	0	0	0	0	DDRT3	DDRT2	DDRT1	DDRT0
		Write:								
\$0243	RDRT	Read:	0	0	0	0	RDRT3	RDRT2	RDRT1	RDRT0
		Write:								
\$0244	PERT	Read:	0	0	0	0	PERT3	PERT2	PERT1	PERT0
		Write:								
\$0245	PPST	Read:	0	0	0	0	PPST3	PPST2	PPST1	PPST0
		Write:								
\$0246 - \$0247	Reserved	Read:	0	0	0	0	0	0	0	0
		Write:								
\$0248	PTM	Read:	0	0	PTM5	PTM4	PTM3	PTM2	PTM1	PTM0
		Write:								
\$0249	PTIM	Read:	0	0	PTIM5	PTIM4	PTIM3	PTIM2	PTIM1	PTIM0
		Write:								
\$024A	DDRM	Read:	0	0	DDRM5	DDRM4	DDRM3	DDRM2	DDRM1	DDRM0
		Write:								
\$024B	RDRM	Read:	0	0	RDRM5	RDRM4	RDRM3	RDRM2	RDRM1	RDRM0
		Write:								
\$024C	PERM	Read:	0	0	PERM5	PERM4	PERM3	PERM2	PERM1	PERM0
		Write:								
\$024D	PPSM	Read:	0	0	PPSM5	PPSM4	PPSM3	PPSM2	PPSM1	PPSM0
		Write:								
\$024E - \$024F	Reserved	Read:	0	0	0	0	0	0	0	0
		Write:								
\$0250	PTJ	Read:	0	0	0	0	0	PTJ2	PTJ1	PTJ0
		Write:								
\$0251	PTIJ	Read:	0	0	0	0	0	PTIJ2	PTIJ1	PTIJ0
		Write:								
\$0252	DDRJ	Read:	0	0	0	0	0	DDRJ2	DDRJ1	DDRJ0
		Write:								
\$0253	RDRJ	Read:	0	0	0	0	0	RDRJ2	RDRJ1	RDRJ0
		Write:								
\$0254	PERJ	Read:	0	0	0	0	0	PERJ2	PERJ1	PERJ0
		Write:								

**\$0240 - \$027F****PIM (Port Integration Module PIM\_9UF32)**

Address	Name		Bit 7	Bit 6	Bit 5	Bit 4	Bit 3	Bit 2	Bit 1	Bit 0
\$0255	PPSJ	Read:	0	0	0	0	0	PPSJ2	PPSJ1	PPSJ0
		Write:								
\$0256	Reserved	Read:	0	0	0	0	0	0	0	0
		Write:								
\$0257	MODRR	Read:	0	0	0	MODRR4	MODRR3	MODRR2	MODRR1	MODRR0
		Write:								
\$0258	PTP	Read:	PTP7	PTP6	PTP5	PTP4	PTP3	PTP2	PTP1	PTP0
		Write:								
\$0259	PTIP	Read:	PTIP7	PTIP6	PTIP5	PTIP4	PTIP3	PTIP2	PTIP1	PTIP0
		Write:								
\$025A	DDRP	Read:	DDRP7	DDRP6	DDRP5	DDRP4	DDRP3	DDRP2	DDRP1	DDRP0
		Write:								
\$025B	RDRP	Read:	RDRP7	RDRP6	RDRP5	RDRP4	RDRP3	RDRP2	RDRP1	RDRP0
		Write:								
\$025C	PERP	Read:	PERP7	PERP6	PERP5	PERP4	PERP3	PERP2	PERP1	PERP0
		Write:								
\$025D	PPSP	Read:	PPSP7	PPSP6	PPSP5	PPSP4	PPSP3	PPSP2	PPSP1	PPSP0
		Write:								
\$025E - \$025F	Reserved	Read:	0	0	0	0	0	0	0	0
		Write:								
\$0260	PTQ	Read:	PTQ7	PTQ6	PTQ5	PTQ4	PTQ3	PTQ2	PTQ1	PTQ0
		Write:								
\$0261	PTIQ	Read:	PTIQ7	PTIQ6	PTIQ5	PTIQ4	PTIQ3	PTIQ2	PTIQ1	PTIQ0
		Write:								
\$0262	DDRQ	Read:	DDRQ7	DDRQ6	DDRQ5	DDRQ4	DDRQ3	DDRQ2	DDRQ1	DDRQ0
		Write:								
\$0263	RDRQ	Read:	RDRQ7	RDRQ6	RDRQ5	RDRQ4	RDRQ3	RDRQ2	RDRQ1	RDRQ0
		Write:								
\$0264	PERQ	Read:	PERQ7	PERQ6	PERQ5	PERQ4	PERQ3	PERQ2	PERQ1	PERQ0
		Write:								
\$0265	PPSQ	Read:	PPSQ7	PPSQ6	PPSQ5	PPSQ4	PPSQ3	PPSQ2	PPSQ1	PPSQ0
		Write:								
\$0266 - \$0267	Reserved	Read:	0	0	0	0	0	0	0	0
		Write:								
\$0268	PTR	Read:	PTR7	PTR6	PTR5	PTR4	PTR3	PTR2	PTR1	PTR0
		Write:								
\$0269	PTIR	Read:	PTIR7	PTIR6	PTIR5	PTIR4	PTIR3	PTIR2	PTIR1	PTIR0
		Write:								
\$026A	DDRR	Read:	DDRR7	DDRR6	DDRR5	DDRR4	DDRR3	DDRR2	DDRR1	DDRR0
		Write:								
\$026B	RDRR	Read:	RDRR7	RDRR6	RDRR5	RDRR4	RDRR3	RDRR2	RDRR1	RDRR0
		Write:								
\$026C	PERR	Read:	PERR7	PERR6	PERR5	PERR4	PERR3	PERR2	PERR1	PERR0
		Write:								
\$026D	PPSR	Read:	PPSR7	PPSR6	PPSR5	PPSR4	PPSR3	PPSR2	PPSR1	PPSR0
		Write:								
\$026E - \$026F	Reserved	Read:	0	0	0	0	0	0	0	0
		Write:								
\$0270	PTS	Read:	PTS7	PTS6	PTS5	PTS4	PTS3	PTS2	PTS1	PTS0
		Write:								

**\$0240 - \$027F**

**PIM (Port Integration Module PIM\_9UF32)**

Address	Name		Bit 7	Bit 6	Bit 5	Bit 4	Bit 3	Bit 2	Bit 1	Bit 0
\$0271	PTIS	Read:	PTIS7	PTIS6	PTIS5	PTIS4	PTIS3	PTIS2	PTIS1	PTIS0
		Write:								
\$0272	DDRS	Read:	DDRS7	DDRS7	DDRS5	DDRS4	DDRS3	DDRS2	DDRS1	DDRS0
		Write:								
\$0273	RDRS	Read:	RDRS7	RDRS6	RDRS5	RDRS4	RDRS3	RDRS2	RDRS1	RDRS0
		Write:								
\$0274	PERS	Read:	PERS7	PERS6	PERS5	PERS4	PERS3	PERS2	PERS1	PERS0
		Write:								
\$0275	PPSS	Read:	PPSS7	PPSS6	PPSS5	PPSS4	PPSS3	PPSS2	PPSS1	PPSS0
		Write:								
\$0276 - \$0277	Reserved	Read:	0	0	0	0	0	0	0	0
		Write:								
\$0278	PTU	Read:	0	0	PTU5	PTU4	PTU3	PTU2	PTU1	PTU0
		Write:								
\$0279	PTIU	Read:	0	0	PTIU5	PTIU4	PTIU3	PTIU2	PTIU1	PTIU0
		Write:								
\$027A	DDRU	Read:	0	0	DDRU5	DDRU4	DDRU3	DDRU2	DDRU1	DDRU0
		Write:								
\$027B	RDRU	Read:	0	0	RDRU5	RDRU4	RDRU3	RDRU2	RDRU1	RDRU0
		Write:								
\$027C	PERU	Read:	0	0	PERU5	PERU4	PERU3	PERU2	PERU1	PERU0
		Write:								
\$027D	PPSU	Read:	0	0	PPSU5	PPSU4	PPSU3	PPSU2	PPSU1	PPSU0
		Write:								
\$027E - \$027F	Reserved	Read:	0	0	0	0	0	0	0	0
		Write:								

**\$0280 - \$029F**

**CFHC (Compact Flash Host Controller)**

Address	Name		Bit 7	Bit 6	Bit 5	Bit 4	Bit 3	Bit 2	Bit 1	Bit 0
\$0280	CFISR (hi)	Read:	0	0	0	0	0	0	VCC	CWAIT
		Write:								
\$0281	CFISR (lo)	Read:	INPACK	VS	RDY	IOIS16	CD2	CD1	SPKRB	CHG
		Write:								
\$0282	CFCCR (hi)	Read:	0	0	0	0	0	0	0	0
		Write:								
\$0283	CFCCR (lo)	Read:	0	0	0	0	CE2B	CE1B	REGB	COM
		Write:								
\$0284	CFSCR1 (hi)	Read:	CFE	CFOE	CRST	DISINC	CFSWAI	IEDGE	WERRIE	TERRIE
		Write:								
\$0285	CFSCR1 (lo)	Read:	CFRFIE	CFTEIE	OOIE	CIE	VSIE	RDYIE	CHGIE	CDIE
		Write:								
\$0286	CFSCR2 (hi)	Read:	CA10E	CA9E	CA8E	CA7E	CA6E	CA5E	CA4E	0
		Write:								
\$0287	CFSCR2 (lo)	Read:	0	0	TPS5-TPS0					
		Write:								
\$0288	CFCR (hi)	Read:	0	0	0	0	0	0	0	0
		Write:								



**\$0280 - \$029F****CFHC (Compact Flash Host Controller)**

Address	Name		Bit 7	Bit 6	Bit 5	Bit 4	Bit 3	Bit 2	Bit 1	Bit 0	
\$0289	CFCR (lo)	Read:	HIS	BSY	0	TQ	RQ	STOP	0	RWB	
		Write:							INVOKE		
\$028A	CFBBAR (hi)	Read:	0	0	0	0	0	BBA10-BBA8			
		Write:									
\$028B	CFBBAR (lo)	Read:	BBA7-BBA0								
		Write:	BBA7-BBA0								
\$028C	CFBSR (hi)	Read:	0	0	0	0	0	0	0	0	
		Write:								BS8	
\$028D	CFBSR (lo)	Read:	0	0	0	0	0	0	0	0	
		Write:	BS7	BS6	BS5	BS4	BS3	BS2	BS1	BS0	
\$028E	CFPMR (hi)	Read:	0	0	0	0	0	0	0	0	
		Write:									
\$028F	CFPMR (lo)	Read:	0	0	0	0	0	0	CPE	CVS	
		Write:									
\$0290	CFDR (hi)	Read:	RD15-RD8								
		Write:	TD15-TD8								
\$0291	CFDR (lo)	Read:	RD7-RD0								
		Write:	TD7-TD0								
\$0292	CFIFR (hi)	Read:	0	0	0	0	0	0	WERRIF	TERRIF	
		Write:									
\$0293	CFIFR (lo)	Read:	CFRFIF	CFTEIF	OOIF	CIF	VSIF	RDYIF	CHGIF	CDIF	
		Write:				0					
\$0294 - \$029F	Reserved	Read:	0	0	0	0	0	0	0	0	
		Write:									

**\$02A0 - \$02AF****MSHC (Memory Stick Host Controller)**

Address	Name		Bit 7	Bit 6	Bit 5	Bit 4	Bit 3	Bit 2	Bit 1	Bit 0	
\$02A0	MSCMD (hi)	Read:	PID				0	0	DATASIZE9-8		
		Write:									
\$02A1	MSCMD (lo)	Read:	DATASIZE7-0								
		Write:	DATASIZE7-0								
\$02A2	MSC0	Read:	RST	PWS	SIEN	MSCE	NOCRC	BSYCNT			
		Write:									
\$02A3	MSS0	Read:	0	0	0	0	RBE	RBF	TBE	TBF	
		Write:									
\$02A4	MSTDATA (hi)	Read:	0	0	0	0	0	0	0	0	
		Write:	TX DATA BUFFER 15-8								
\$02A5	MSTDATA (lo)	Read:	0	0	0	0	0	0	0	0	
		Write:	TX DATA BUFFER 7-0								
\$02A6	MSRDATA (hi)	Read:	RX DATA BUFFER 15-8								
		Write:	0	0	0	0	0	0	0	0	
\$02A7	MSRDATA (lo)	Read:	RX DATA BUFFER 7-0								
		Write:	0	0	0	0	0	0	0	0	
\$02A8	MSIC	Read:	INTE	DTRQIE	DTCMPIE	FAEEN	0	0	0	0	
		Write:									
\$02A9	MSIS	Read:	RDY	SIF	DTRQ	DTCMP	0	FAE	CRCE	TOE	
		Write:									

**\$02A0 - \$02AF**

**MSHC (Memory Stick Host Controller)**

Address	Name	Read:	Bit 7	Bit 6	Bit 5	Bit 4	Bit 3	Bit 2	Bit 1	Bit 0	
\$02AA	MSC1	Read:	ACD	0	DIV		DTRQE	0	RFF	TFE	
		Write:									
\$02AB	MSS1	Read:	RUN	TOV	0	0	0	0	0	0	
		Write:									
\$02AC	MSACMD (hi)	Read:	APID				0	0	ADATASIZE9-8		
		Write:									
\$02AD	MSACMD (lo)	Read:	ADATASIZE7-0								
		Write:									
\$02AE	Reserved	Read:	0	0	0	0	0	0	0	0	
		Write:									
\$02AF	Reserved	Read:	0	0	0	0	0	0	0	0	
		Write:									

**\$02B0 - \$02BF**

**SMHC (Smart Media Host Controller)**

Address	Name	Read:	Bit 7	Bit 6	Bit 5	Bit 4	Bit 3	Bit 2	Bit 1	Bit 0
\$02B0	SMC	Read:	0	SMHCEN	FRST	SMRST	QEN	ECCEN	CNT1	CNT0
		Write:								
\$02B1	SMHS	Read:	0	0	0	0	0	0	0	0
		Write:								
\$02B2	SMTDATA/ SMRDATA (hi)	Read:	Rx DATA BUFFER 15-8							
		Write:	Tx DATA BUFFER 15-8							
\$02B3	SMTDATA/ SMRDATA (lo)	Read:	Rx DATA BUFFER 7-0							
		Write:	Tx DATA BUFFER 7-0							
\$02B4	SMISR	Read:	0	HCE	ECCR	RDR	RDP	CDIN	CDOUT	RDY
		Write:								
\$02B5	SMIMR	Read:	INTEN	HCEIEN	ECCRIEN	RDRIEN	RDPIEN	CDINIEN	CDOUTIEN	RDYIEN
		Write:								
\$02B6	SMS	Read:	0	CEC	SME	BAF2P	BAF1P	DRQ	BUSY	CP
		Write:								
\$02B7	SMFCS	Read:	0	0	RFL	TFL	RBE	RBF	TBE	TBF
		Write:								
\$02B8	SMCLKR	Read:	0	0	0	0	0	PS2	PS1	PS0
		Write:								
\$02B9 - \$02BF	Reserved	Read:	0	0	0	0	0	0	0	0
		Write:								

**\$02C0 - \$02DF**

**SDHC (Secure Digital Host Controller)**

Address	Name	Read:	Bit 7	Bit 6	Bit 5	Bit 4	Bit 3	Bit 2	Bit 1	Bit 0
\$02C0	SDCON (hi)	Read:	0	0	0	0	0	0	0	0
		Write:								
\$02C1	SDCON (lo)	Read:	0	0	LBUF	IRST	PUEN	PDEN	QIEN	SDEN
		Write:								
\$02C2	SDSTAT (hi)	Read:	0	BLK_RDY	FFULL	FEMPTY	CD	ECR	WRDN	DTDN
		Write:								
\$02C3	SDSTAT (lo)	Read:	SDCKON	WR_ECRC_NODE	RSP_ECRC	RD_ECRC	WR_ECRC	RSPTO	RDTO	
		Write:								

**\$02C0 - \$02DF****SDHC (Secure Digital Host Controller)**

Address	Name		Bit 7	Bit 6	Bit 5	Bit 4	Bit 3	Bit 2	Bit 1	Bit 0
\$02C4	SDCLKCON (hi)	Read:	0	0	0	0	0	0	0	0
		Write:								
\$02C5	SDCLKCON (lo)	Read:	0	0	0	0	SCLKEN	CLKRATE		
		Write:								
\$02C6	SDCMDATCO N (hi)	Read:	0	0	0	0	0	NOBEN	WBUS	0
		Write:								
\$02C7	SDCMDATCO N (lo)	Read:	INIT	BUSY	MBLK	SBMOD	WRD	DATAEN	RSPNO	
		Write:								
\$02C8	SDRTOU (hi)	Read:	0	0	0	0	0	0	0	0
		Write:								
\$02C9	SDRTOU (lo)	Read:	0	RSP_TO						
		Write:								
\$02CA	SDRDTOUT (hi)	Read:	RD_TO 15-8							
		Write:								
\$02CB	SDRDTOUT (lo)	Read:	RD_TO 7-0							
		Write:								
\$02CC	SDBLKLN (hi)	Read:	0	0	0	0	0	0	BLEN9	BLEN8
		Write:								
\$02CD	SDBLKLN (lo)	Read:	BLEN 7-0							
		Write:								
\$02CE	SDNOBLK (hi)	Read:	NOB 15-8							
		Write:								
\$02CF	SDNOBLK (lo)	Read:	NOB 7-0							
		Write:								
\$02D0	SDINTREN (hi)	Read:	0	0	0	0	0	0	0	0
		Write:								
\$02D1	SDINTREN (lo)	Read:	0	0	CDIE	ECRIE	WRDNIE	DTDNIE	CRCIE	TOIE
		Write:								
\$02D2	SDCMDNO (hi)	Read:	0	0	0	0	0	0	0	0
		Write:								
\$02D3	SDCMDNO (lo)	Read:	0	0	CMDNO					
		Write:								
\$02D4	SDARGH (hi)	Read:	HARG 15-8							
		Write:								
\$02D5	SDARGH (lo)	Read:	HARG 7-0							
		Write:								
\$02D6	SDARGL (hi)	Read:	LARG 15-8							
		Write:								
\$02D7	SDARGL (lo)	Read:	LARG 7-0							
		Write:								
\$02D8	SDRSP (hi)	Read:	CRSP 15-8							
		Write:								
\$02D9	SDRSP (lo)	Read:	CRSP 7-0							
		Write:								
\$02DA	SDATA (hi)	Read:	SDAT 15-8							
		Write:								
\$02DB	SDATA (lo)	Read:	SDAT 7-0							
		Write:								
\$02DC - \$02DF	Reserved	Read:	0	0	0	0	0	0	0	0
		Write:								

**\$02E0 - \$02FF**

**Reserved**

Address	Name	Bit 7	Bit 6	Bit 5	Bit 4	Bit 3	Bit 2	Bit 1	Bit 0
\$02E0 - \$02FF	Reserved	0	0	0	0	0	0	0	0

**\$0300 - \$03FF**

**USB20D6E2F (Universal Serial Bus 2.0 Device Controller)**

Address	Name	Bit 7	Bit 6	Bit 5	Bit 4	Bit 3	Bit 2	Bit 1	Bit 0	
\$0300	UMCR (hi)	Read:	MEN	MCE	0	RESUME	SPHY	0	0	0
		Write:			MRST			PHYRST	EPRST	
\$0301	UMCR (lo)	Read:	0	0	DISCON	SDSUP	EXSPD	RWUC	SPWR	SCSUP
		Write:								
\$0302	UMSR1 (hi)	Read:	ACTEP			USSC	URSC	ENUMD	0	0
		Write:								
\$0303	UMSR1 (lo)	Read:	0	SPD	0	USD	URD	SOF	SETOVR	SETUP
		Write:								
\$0304	UIMR (hi)	Read:	0	RESUMEIE	SETECRIE	USSCIE	URSCIE	0	0	0
		Write:								
\$0305	UIMR (lo)	Read:	0	0	0	0	0	SOFIE	SETOVRIE	SETUPIE
		Write:								
\$0306	Reserved	Read:	0	0	0	0	0	0	0	0
		Write:								
\$0307	Reserved	Read:	0	0	0	0	0	0	0	0
		Write:								
\$0308	Reserved for Factory Testing	Read:								
		Write:								
\$0309	Reserved for Factory Testing	Read:								
		Write:								
\$030A	UTSR (hi)	Read:	0	0	0	0	0	TIMEST 10-8		
		Write:								
\$030B	UTSR (lo)	Read:	TIMEST 7-0							
		Write:								
\$030C	UCCSR (hi)	Read:	CFGVALID	INTFVALID	SETECR	DONE-ECRU	CFG			
		Write:								
\$030D	UCCSR (lo)	Read:	INTF				ALTINTF			
		Write:								
\$030E	UEPCSELR (hi)	Read:	0	0	0	0	UCRSEL			
		Write:								
\$030F	UEPCSELR (lo)	Read:	0	EPBSEL1			0	EPBSEL0		
		Write:								
\$0310	UPECFGR1 (bit 31-24)	Read:	NISOF			MAXPSZ				
		Write:								
\$0311	UPECFGR1 (bit 23-16)	Read:	MAXPSZ				EPASET			
		Write:								
\$0312	UPECFGR1 (bit 15-8)	Read:	EPASET	EPINTF				EPCFG		
		Write:								
\$0313	UPECFGR1 (bit 7-0)	Read:	EPCFG	EPTYPE		EPDIR	EPNUM			
		Write:								
\$0310	UNCIR (bit 31-24)	Read:	0	0	0	0	0	0	0	0
		Write:								

**\$0300 - \$03FF****USB20D6E2F (Universal Serial Bus 2.0 Device Controller)**

Address	Name		Bit 7	Bit 6	Bit 5	Bit 4	Bit 3	Bit 2	Bit 1	Bit 0
\$0311	UNCIR (bit 23-16)	Read:	0	0	0	0	0	0	0	0
		Write:								
\$0312	UNCIR (bit 15-8)	Read:	0	0	0	0	0	NINTC2		
		Write:								
\$0313	UNCIR (bit 7-0)	Read:	0	NINTC1			0	0	NCFG	
		Write:								
\$0310	UNASR (bit 31-24)	Read:	NAI3C2				NAI2C2			
		Write:								
\$0311	UNASR (bit 23-16)	Read:	NAI1C2				NAI0C2			
		Write:								
\$0312	UNASR (bit 15-8)	Read:	NAI3C1				NAI2C1			
		Write:								
\$0313	UNASR (bit 7-0)	Read:	NAI1C1				NAI0C1			
		Write:								
\$0314	UEPCSR0 (hi)	Read:	STALL	DVALID	TFRC	TCIE	0	0	0	0
		Write:								
\$0315	UEPCSR0 (lo)	Read:	0	TXSIZ						
		Write:								
\$0316	UEPCSR1 (hi)	Read:	STALL	DVALID	TFRC	TCIE	0	0	0	0
		Write:								
\$0317	UEPCSR1 (lo)	Read:	0	RXSIZ						
		Write:								
\$0318	UEPCSR2 (hi)	Read:	STALL	DVALID	TFRC	TCIE	0	0	0	0
		Write:								
\$0319	UEPCSR2 (lo)	Read:	0	RXTXSIZ						
		Write:								
\$031A	UEPCSR3 (hi)	Read:	STALL	DVALID	TFRC	TCIE	0	0	0	0
		Write:								
\$031B	UEPCSR3 (lo)	Read:	0	RXTXSIZ						
		Write:								
\$031C	UEPCSR4A (hi)	Read:	STALL	SNAK	TFRC	TCIE	CTERR	RXSIZ		
		Write:								
\$031D	UEPCSR4A (lo)	Read:	RXSIZ							
		Write:								
\$031E	UEPCSR4B (hi)	Read:	SPKT	SPKTIE	TFRERR	TERRIE	EBAVA		0	0
		Write:								
\$031F	UEPCSR4B (lo)	Read:	CURMP				MPPB			
		Write:								
\$0320	UEPCSR5A (hi)	Read:	STALL	SNAK	TFRC	TCIE	CTERR	TXSIZ		
		Write:								
\$0321	UEPCSR5A (lo)	Read:	TXSIZ							
		Write:								
\$0322	UEPCSR5B (hi)	Read:	0	0	TFRERR	TERRIE	0	0	BVLD	
		Write:								
\$0323	UEPCSR5B (lo)	Read:	CURMP				MPPB			
		Write:								
\$0324 - \$0337	Reserved	Read:								
		Write:								
\$0338 - \$033F	USTB	Read:	Setup Data Buffer							
		Write:								

**\$0300 - \$03FF**

**USB20D6E2F (Universal Serial Bus 2.0 Device Controller)**

Address	Name		Bit 7	Bit 6	Bit 5	Bit 4	Bit 3	Bit 2	Bit 1	Bit 0
\$0340 - \$037F	Reserved	Read:	0	0	0	0	0	0	0	0
		Write:								
\$0380 - \$03BF	UEPLB0	Read:	Endpoint Local Buffer							
		Write:								
\$03C0 - \$03FF	UEPLB1	Read:	Endpoint Local Buffer							
		Write:								

## 1.6 Part ID Assignments

The part ID is located in two 8-bit registers PARTIDH and PARTIDL (addresses \$001A and \$001B after reset). The read-only value is a unique part ID for each revision of the chip. **Table 1-2** shows the assigned part ID number.

**Table 1-2 Assigned Part ID Numbers**

Device	Mask Set Number	Part ID <sup>1</sup>
MC9S12UF32	0L24N	\$6300
MC9S12UF32	1L79R	\$6300
MC9S12UF32	0L47S	\$6310
MC9S12UF32	1L47S	\$6311

NOTES:

- The coding is as follows:  
 Bit 15-12: Major family identifier  
 Bit 11-8: Minor family identifier  
 Bit 7-4: Major mask set revision number including FAB transfers  
 Bit 3-0: Minor - non full - mask set revision

The device memory sizes are located in two 8-bit registers MEMSIZ0 and MEMSIZ1 (addresses \$001C and \$001D after reset). **Table 1-3** shows the read-only values of these registers. Refer to section Module Mapping and Control (MMC) of HCS12 Core Guide for further details.

**Table 1-3 Memory size registers**

Register name	Value
MEMSIZ0	\$12
MEMSIZ1	\$80

## Section 2 Signal Description

The 9S12UF32 has two package options, the first one is a full featured 100-pin package and the second one in a low cost 64-pin package.

In the 100-pin option, three primary software selectable configurations are available for different end applications.

- USB 2.0 to ATA and CF bridge
- USB 2.0 to ATA, SM, SD (MMC) and MS bridge
- USB 2.0 to CF, SM, SD (MMC) and MS bridge

Below table shows a summary of how the above configurations can be selected.

**Table 2-1 Configuration selection in 100-pin option**

Configuration	ATA and CF bridge	ATA, SM, SD and MS bridge	CF, SM, SD and MS bridge
MODRR	\$10	\$00	\$00
Recommended IO supply voltage	VDDX = 3.3V VDD3X = 3.3V	VDDX = 3.3V VDD3X = 3.3V	VDDX = 5.0V/3.3V VDD3X = 3.3V
Modules that can be enabled	ATA5HC, CFHC	ATA5HC, SMHC, SDHC and MSHC	CFHC, SMHC, SDHC, MSHC
Modules that must not be enabled	SMHC, SDHC, MSHC	CFHC	ATA5HC
Other Supporting Modules that can be enabled	SCI, TIM	SCI, TIM	SCI, TIM
Specific Notes	When TIMER is enabled, timer channel pins IOC[7:4] will be available on PR[7:4] if CA10E, CA9E, CA8E and CA7E in CFSCR2 of CFHC are set to 0.  When SCI is enabled, SCI module pins TXD and RXD will be available on PR[3:2] if CA6E and CA5E in CFSCR2 of CFHC are set to 0.	None	When TIMER is enabled, timer channel pins IOC[7:4] will be available on PR[7:4] if CA10E, CA9E, CA8E and CA7E in CFSCR2 of CFHC are set to 0.  When SCI is enabled, SCI module pins TXD and RXD will be available on PR[3:2] if CA6E and CA5E in CFSCR2 of CFHC are set to 0.
General Notes	If the pins are associated with a module which is not enabled, those pins can be served as general purpose I/O at the voltage of the corresponding power supply rail.		

In the 64-pin option, four primary software selectable configurations are available for different end applications.

- USB 2.0 to ATA bridge with optional SDHC support
- USB 2.0 to SM, SD (MMC) and MS bridge

- USB 2.0 to CF bridge

Below table shows a summary of how the above configurations can be selected.

**Table 2-2 Configuration selection in 64-pin option**

Configuration	ATA bridge	SM, SD and MS bridge	CF bridge
MODRR	\$03	\$0F	\$03
Recommended IO supply voltage	VDDX = 3.3V VDD3X = 3.3V	VDDX = 3.3V VDD3X = 3.3V	VDDX = 5.0V/3.3V VDD3X = 5.0V/3.3V <sup>1</sup>
Modules that can be enabled	ATA5HC, SDHC	SMHC, SDHC and MSHC	CFHC,
Modules that must not be enabled	CFHC, SMHC, MSHC	ATA5HC, CFHC	ATA5HC, SMHC, SDHC, MSHC
Other Supporting Modules that can be enabled	SCI, TIM	SCI, TIM	SCI, TIM
Specific Notes	<p>SCI pins are routed to PS[5:4]</p> <p>When TIMER is enabled, timer channel pins IOC[7:5] will be available on PQ[7:5]; IOC[3:2] are routed to PM[4:3]; IOC[1:0] are routed to PT[1:0]</p> <p>SDHC pins are routed to PQ[6:5], PM[4:3] and PT[1:0]</p> <p>When SDHC is enabled, Timer channels IOC[6:5] and IOC[3:0] pins will not be available.</p> <p>Appropriate external pull up/down resistors required on SDCMD, SDATA0 and SDATA3.</p>	<p>SCI pins are routed to PS[5:4]</p> <p>Timer pins are routed to PB[7:0].</p> <p>SDHC pins routed to PA[5:0]</p> <p>SMHC pins routed to PA6 and PS[7:6]</p> <p>Appropriate external pull up/down resistors required on MSBS, MSSCLK, MSSDIO, SDCMD, SDATA0, SDATA1, SDATA2 and SDATA3.</p>	<p>SCI pins are routed to PS[5:4]</p> <p>When TIMER is enabled, timer channel pins IOC[7:4] will be available on PQ[7:4] if CA7E, CA6E, CA5E and CA4E in CFSCR2 of CFHC are set to 0.</p> <p>Timer channels IOC[3:0] are not available at pin level.</p>
General Notes	If the pins are associated with a module which is not enabled, those pins can be served as general purpose I/O at the voltage of the corresponding power supply rail.		

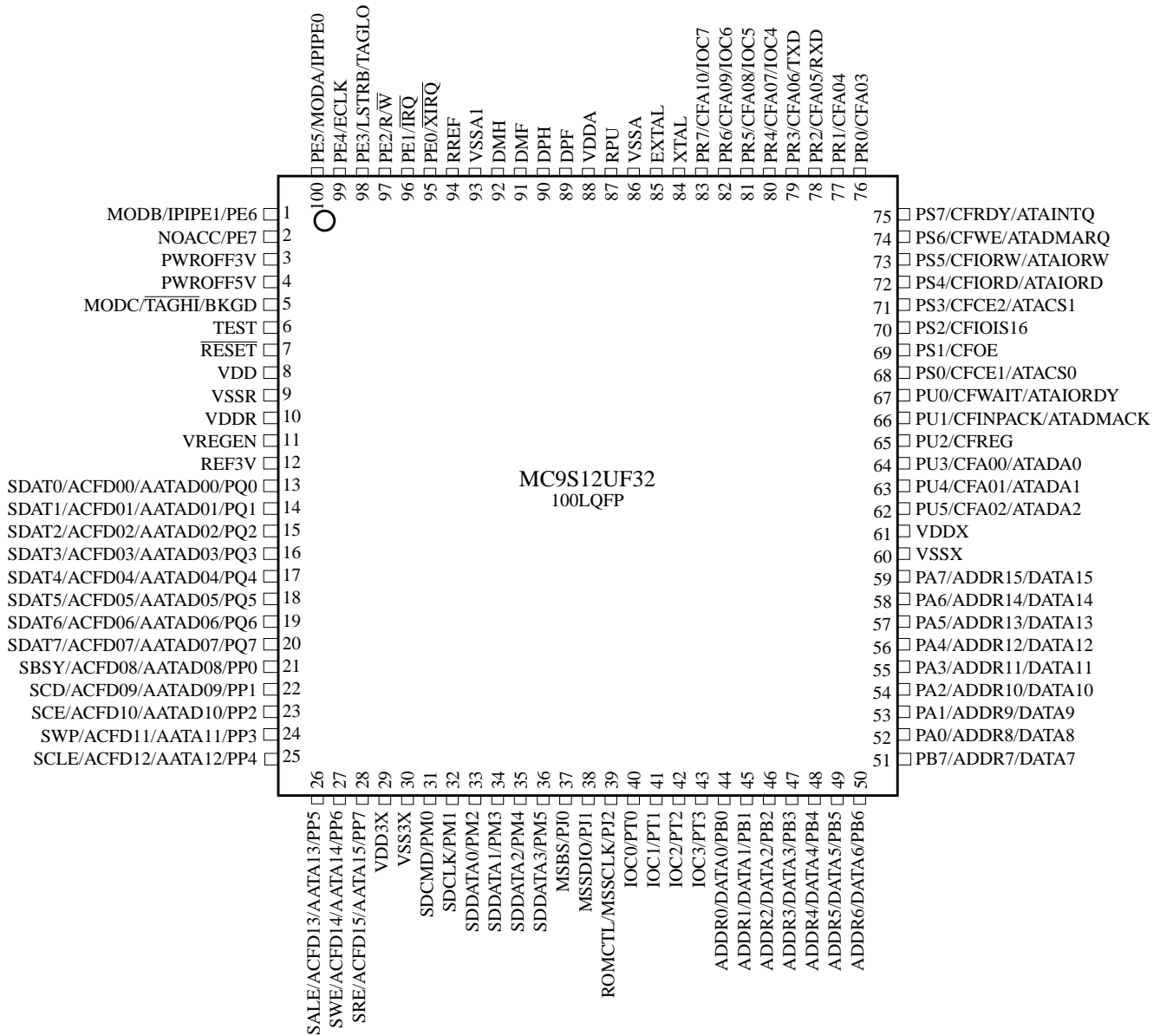
NOTES:

1. VDDX and VDD3X should be at the same voltage as the CF card. Care should be taken when CFA3, CFA8, CFA9 and CFA10 are connected to CF card as they are supplied by VDDR with output swing of 0V to VDDR.



## 2.1 Device Pinout

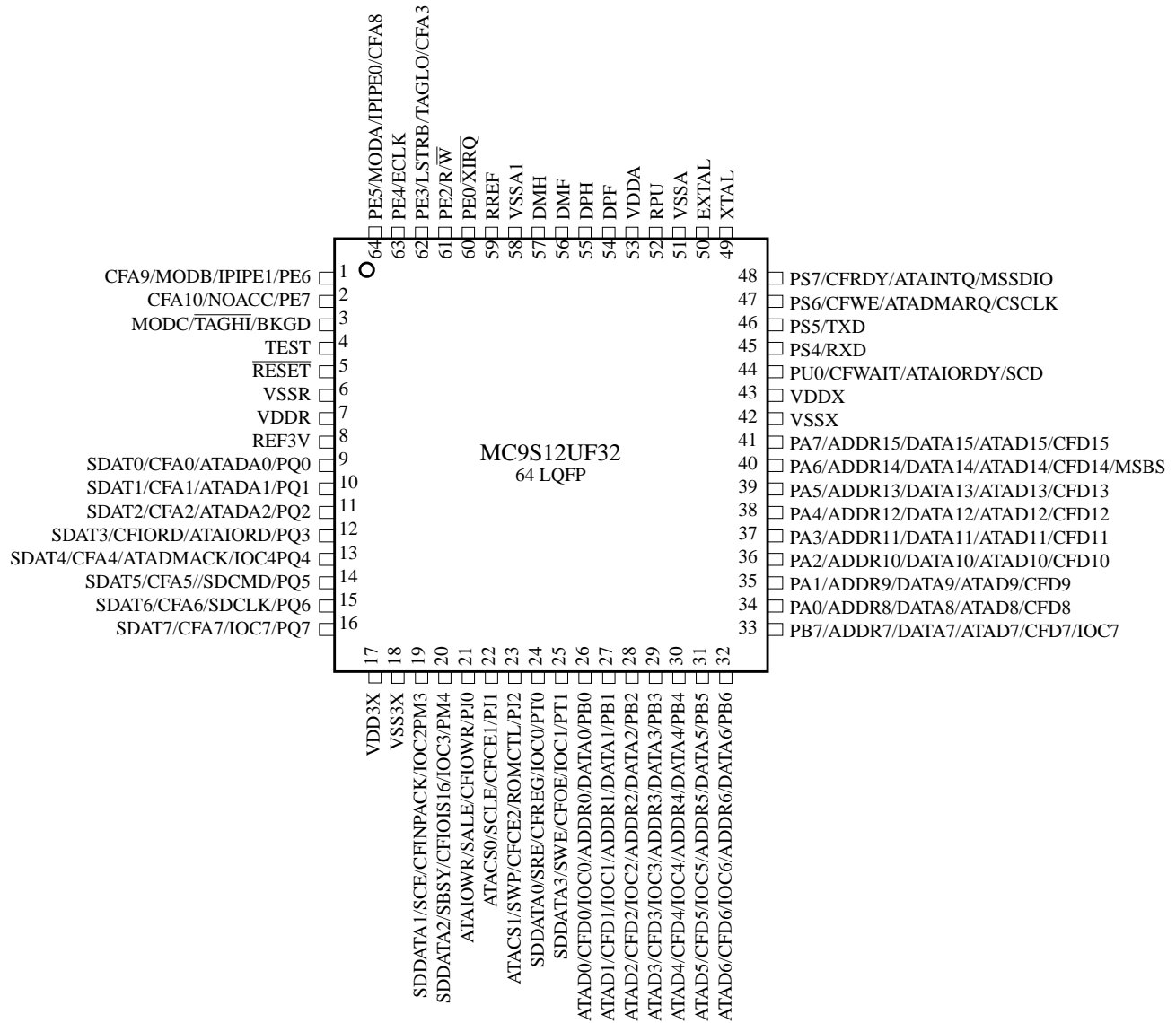
Figure 2-1 shows the pin assignments for 100-pin option.



Note: Not all pin functions are shown in the diagram. Please refer to sections 2-2 and 2-4 for details.

**Figure 2-1 Pin Assignments in 100-pin LQFP**

Figure 2-2 shows the pin assignments for 64-pin option.



Note: Not all pin functions are shown in the diagram. Please refer to sections 2-3 and 2-5 for details.

Figure 2-2 Pin Assignments in 64-pin LQFP

## 2.2 Signal Properties Summary for 100-pin Package

Table 2-3 100-pin Signal Properties

Pin Name Function 1	Pin Name Function 2	Pin Name Function 3	Pin Name Function 4	Supply Rail	Internal Pull Resistor		Description
					CTRL	Reset State	
EXTAL	—	—	—	-	NA	NA	Oscillator pins
XTAL	—	—	—	-	NA	NA	
TEST <sup>1</sup>	—	—	—		NA	NA	Test pin only
VREGEN	—	—	—	VDDR	NA	NA	Voltage Regulator Enable Input
PE7	NOACC	—	—	VDDR	PUCR	Up	Port E I/O pin; CPU no access
PE6	IPIPE1	MODB	—	VDDR	While RESET is low: Down		Port E I/O pin; pipe status; mode selection
PE5	IPIPE0	MODA	—	VDDR	While RESET is low: Down		Port E I/O pin; pipe status; mode selection
PE4	ECLK	—	—	VDDR	PUCR	Up	Port E I/O pin; bus clock output
PE3	LSTRB	TAGLO	—	VDDR	PUCR	Up	Port E I/O pin; low strobe; tag signal low
PE2	R/W	—	—	VDDR	PUCR	Up	Port E I/O pin; R/W in expanded modes
PE1	IRQ	—	—	VDDR	Always up		Port E input; external interrupt pin
PE0	XIRQ	—	—	VDDR			Port E input; non-maskable interrupt pin
PA[7:0]	ADDR[15:8] /DATA[15:8]	CFD[15:8]	ATAD[15:8]	VDDX	PUCR	Disabled	Port A I/O pin; multiplexed address/data; CFHC Data; ATA5HC Data
PB[7:0]	ADDR[7:0] /DATA[7:0]	CFD[7:0]	ATAD[7:0]	VDDX	PUCR	Disabled	Port B I/O pin; multiplexed address/data; CFHC Data; ATA5HC Data
RESET	—	—	—	VDDR	NA	NA	External reset pin
BKGD	MODC	TAGHI	—	VDDR	Always up	Up	Background debug; mode pin; tag signal high
RPU	—	—	—	VDDA	NA	NA	USB D+ pull up resistor termination
RREF	—	—	—	VDDA	NA	NA	External bias resistor
DPF	—	—	—	VDDA	NA	NA	USB full speed D+ data line
DPH	—	—	—	VDDA	NA	NA	USB high speed D+ data line
DMF	—	—	—	VDDA	NA	NA	USB full speed D- data line
DMH	—	—	—	VDDA	NA	NA	USB high speed D- data line
REF3V	—	—	—	VDDR	NA	NA	3.3V regulator reference for driving external NMOS regulator, default output 0V
PWROFF5V	—	—	—	VDDR	NA	NA	5V power-off signal for turning off 5V supply by using external PMOS switch, default output VDDR
PWROFF3V	—	—	—	VDDR	NA	NA	3V power-off signal for turning off 5V supply by using external PMOS switch, default output VDDR

Pin Name Function 1	Pin Name Function 2	Pin Name Function 3	Pin Name Function 4	Supply Rail	Internal Pull Resistor		Description
					CTRL	Reset State	
PJ0	MSBS	CFIORW <sup>2</sup>	—	VDD3X	PERJ/ PPSJ	Disabled	Port J I/O Pin; MSHC Bus State; CFHC IOWR signal
PJ1	MSSDIO	CFCE1 <sup>2</sup>	—	VDD3X	PERJ/ PPSJ	Disabled	Port J I/O Pin; MSHC Serial Data I/O; CFHC CE1 signal
PJ2 <sup>3</sup>	MSSCLK	CFCE2 <sup>2</sup>	—	VDD3X	PERJ/ PPSJ	Disabled	Port J I/O Pin; MSHC Serial Clock; CFHC CE2 signal
PM5	SDDATA3	CFIORD <sup>2</sup>	—	VDD3X	PERM/ PPSM	Disabled	Port M I/O Pin; SDHC Command line; CFHC CFIORD signal
PM4	SDDATA2	CFIOIS16 <sup>2</sup>	—	VDD3X	PERM/ PPSM	Disabled	Port M I/O Pin; SDHC Clock line; CFHC IOIS16 signal
PM3	SDDATA1	CFINPACK <sup>2</sup>	—	VDD3X	PERM/ PPSM	Disabled	Port M I/O Pin; SDHC data line; CFHC INPACK signal
PM2	SDDATA0	CFWAIT <sup>2</sup>	—	VDD3X	PERM/ PPSM	Disabled	Port M I/O Pin; SDHC data line; CFHC CFWAIT signal
PM1	SDCLK	CFREG <sup>2</sup>	—	VDD3X	PERM/ PPSM	Disabled	Port M I/O Pin; SDHC data line; CFHC REG signal
PM0	SDCMD	CFRDY/ IREQ <sup>2</sup>	—	VDD3X	PERM/ PPSM	Disabled	Port M I/O Pin; SDHC data line; CFHC RDY/IREQ signal
PP7	SRE	ACFD15	AATAD15	VDD3X	PERP/ PPSP	Disabled	Port P I/O Pins; SMHC SRE; Alternate CFHC, ATA5HC Data lines
PP6	SWE	ACFD14	AATAD14	VDD3X	PERP/ PPSP	Disabled	Port P I/O Pins; SMHC SWE; Alternate CFHC, ATA5HC Data lines
PP5	SALE	ACFD13	AATAD13	VDD3X	PERP/ PPSP	Disabled	Port P I/O Pins; SMHC SALE; Alternate CFHC, ATA5HC Data lines
PP4	SCLE	ACFD12	AATAD12	VDD3X	PERP/ PPSP	Disabled	Port P I/O Pins; SMHC SCLE; Alternate CFHC, ATA5HC Data lines
PP3	SWP	ACFD11	AATAD11	VDD3X	PERP/ PPSP	Disabled	Port P I/O Pins; SMHC SWP; Alternate CFHC, ATA5HC Data lines
PP2	SCE	ACFD10	AATAD10	VDD3X	PERP/ PPSP	Disabled	Port P I/O Pins; SMHC SCE; Alternate CFHC, ATA5HC Data lines
PP1	SCD	ACFD9	AATAD9	VDD3X	PERP/ PPSP	Disabled	Port P I/O Pins; SMHC SCD; Alternate CFHC, ATA5HC Data lines
PP0	SBSY	ACFD8	AATAD8	VDD3X	PERP/ PPSP	Disabled	Port P I/O Pins; SMHC SBSY; Alternate CFHC, ATA5HC Data lines
PQ[7:0]	SDAT[7:0]	ACFD[7:0]	AATAD[7:0]	VDD3X	PERQ/ PPSQ	Disabled	Port Q I/O Pins; SMHC Data lines, Alternate CFHC, ATA5HC Data lines
PR[1:0]	CFA[4:3]	—	—	VDDX	PERR/ PPSR	Disabled	Port R I/O Pins; CFHC address lines

Pin Name Function 1	Pin Name Function 2	Pin Name Function 3	Pin Name Function 4	Supply Rail	Internal Pull Resistor		Description
					CTRL	Reset State	
PR[2]	CFA[5]	RXD	—	VDDX	PERR PPSR	Disabled	Port R I/O Pin; CFHC address line, SCI RXD
PR[3]	CFA[6]	TXD	—	VDDX	PERR PPSR	Disabled	Port R I/O Pin; CFHC address line, SCI TXD
PR[7:4]	CFA[10:7]	IOC[7:4]	—	VDDX	PERR PPSR	Disabled	Port R I/O Pins; CFHC address lines, Timer Channel 4 to 7
PS7	CFRDY/ IREQ	ATAINTQ	—	VDDX	PERS/ PPSS	Disabled	Port S I/O Pin; CFHC RDYIREQ signal; ATA INTQ signal
PS6	CFWE	ATADMARQ	—	VDDX	PERS/ PPSS	Disabled	Port S I/O Pin; CFHC WE signal; ATA DMARQ signal
PS5	CFIOWR	ATAIOWR	—	VDDX	PERS/ PPSS	Disabled	Port S I/O Pin; CFHC IOWR signal; ATA IOWR signal
PS4	CFIORD	ATAIORD	—	VDDX	PERS/ PPSS	Disabled	Port S I/O Pin; CFHC IORD signal; ATA IORD signal
PS3	CFCE2	ATACS1	—	VDDX	PERS/ PPSS	Disabled	Port S I/O Pin; CFHC CE2 signal; ATA CS2 signal
PS2	CFIOIS16	—	—	VDDX	PERS/ PPSS	Disabled	Port S I/O Pin; CFHC IOIS16 signal
PS1	CFOE	—	—	VDDX	PERS/ PPSS	Disabled	Port S I/O Pin; CFHC OE signal
PS0	CFCE1	ATACS0	—	VDDX	PERS/ PPSS	Disabled	Port S I/O Pin; CFHC CE1 signal; ATA CS0 signal
PT[0:2]	IOC[0:2]	CFA[0:2] <sup>2</sup>	—	VDD3X	PERT/ PPST	Disabled	Port T I/O Pins; Timer channels 0 to 2; CFHC address line
PT[3]	IOC[3]	CFWE <sup>2</sup>	—	VDD3X	PERT/ PPST	Disabled	Port T I/O Pins; Timer channels 3; CFHCWE signal
PU5	CFA2	ATADA2	—	VDDX	PERU/ PPSU	Disabled	Port U I/O Pins; CFHC Address signal; ATA Address signal
PU4	CFA1	ATADA1	—	VDDX	PERU/ PPSU	Disabled	Port U I/O Pins; CFHC Address signal; ATA Address signal
PU3	CFA0	ATADA0	—	VDDX	PERU/ PPSU	Disabled	Port U I/O Pins; CFHC Address signal; ATA Address signal
PU2	CFREG	—	—	VDDX	PERU/ PPSU	Disabled	Port U I/O Pins; CFHC REG signal
PU1	CFINPACK	ATADMACK	—	VDDX	PERU/ PPSU	Disabled	Port U I/O Pins; CFHC INPACK signal; ATA DMACK signal
PU0	CFWAIT	ATAIORDY	—	VDDX	PERU/ PPSU	Disabled	Port U I/O Pins; CFHC WAIT signal; ATA IORDY signal

## NOTES:

1. This pin must be tied to VSS in Application
2. CFHC module port routing when bit 4 of MODRR is set to 1.
3. PJ2 is used as the ROMCTL signal during reset.

## 2.3 Signal Properties Summary for 64-pin Package

Table 2-4 64-pin Signal Properties

Pin Name Function 1	Pin Name Function 2	Pin Name Function 3	Pin Name Function 4	Pin Name Function 5	Supply Rail	Internal Pull Resistor		Description
						CTRL	Reset State	
EXTAL	—	—	—	—	-	NA	NA	Oscillator pins
XTAL	—	—	—	—	-	NA	NA	
TEST <sup>1</sup>	—	—	—	—		NA	NA	Test pin only
PE7	NOACC	—	CFA10	—	VDDR	PUCR	Up	Port E I/O pin; CPU no access; CFHC Address.
PE6	IPIPE1	MODB	CFA9	—	VDDR	While RESET is low: Down		Port E I/O pin; pipe status; mode selection; CFHC Address.
PE5	IPIPE0	MODA	CFA8	—	VDDR	While RESET is low: Down		Port E I/O pin; pipe status; mode selection; CFHC Address.
PE4	ECLK	—	—	—	VDDR	PUCR	Up	Port E I/O pin; bus clock output
PE3	LSTRB	TAGLO	CFA3	—	VDDR	PUCR	Up	Port E I/O pin; low strobe; tag signal low; CFHC Address.
PE2	R/W	—	—	—	VDDR	PUCR	Up	Port E I/O pin; R/W in expanded modes
PE0	XIRQ	—	—	—	VDDR	Always up		Port E input; non-maskable interrupt pin
PA7	ADDR15/ DATA15	CFD15	ATAD15	—	VDDX	PUCR	Disabled	Port A I/O pin; multiplexed address/data; CFHC Data; ATA5HC Data.
PA6	ADDR14/ DATA14	CFD14	ATAD14	MSBS	VDDX	PUCR	Disabled	Port A I/O pin; multiplexed address/data; CFHC Data; ATA5HC Data; MSHC Bus State signal.
PA5	ADDR13/ DATA13	CFD13	ATAD13	SDDATA3	VDDX	PUCR	Disabled	Port A I/O pin; multiplexed address/data; CFHC Data; ATA5HC Data; SDHC SDDATA3 signal.
PA4	ADDR12/ DATA12	CFD12	ATAD12	SDDATA2	VDDX	PUCR	Disabled	Port A I/O pin; multiplexed address/data; CFHC Data; ATA5HC Data; SDHC SDDATA2 signal.
PA3	ADDR11/ DATA11	CFD11	ATAD11	SDDATA1	VDDX	PUCR	Disabled	Port A I/O pin; multiplexed address/data; CFHC Data; ATA5HC Data; SDHC SDDATA1 signal.
PA2	ADDR10/ DATA10	CFD10	ATAD10	SDDATA0	VDDX	PUCR	Disabled	Port A I/O pin; multiplexed address/data; CFHC Data; ATA5HC Data; SDHC SDDATA0 signal.
PA1	ADDR9/ DATA9	CFD9	ATAD9	SDCLK	VDDX	PUCR	Disabled	Port A I/O pin; multiplexed address/data; CFHC Data; ATA5HC Data; SDHC SDCLK signal.

Pin Name Function 1	Pin Name Function 2	Pin Name Function 3	Pin Name Function 4	Pin Name Function 5	Supply Rail	Internal Pull Resistor		Description
						CTRL	Reset State	
PA0	ADDR8/ DATA8	CFD8	ATAD8	SDCMD	VDDX	PUCR	Disabled	Port A I/O pin; multiplexed address/data; CFHC Data; ATA5HC Data; SDHC SDCMD signal.
PB[7:0]	ADDR[7:0]/ DATA[7:0]	CFD[7:0]	ATAD[7:0]	IOC[7:0]	VDDX	PUCR	Disabled	Port B I/O pin; multiplexed address/data; CFHC Data; ATA5HC Data; Timer channels
RESET	—	—	—	—	VDDR	NA	NA	External reset pin
BKGD	MODC	TAGHI	—	—	VDDR	Always up	Up	Background debug; mode pin; tag signal high
RPU	—	—	—	—	VDDA	NA	NA	USB D+ pull up resistor termination
RREF	—	—	—	—	VDDA	NA	NA	External bias resistor
DPF	—	—	—	—	VDDA	NA	NA	USB full speed D+ data line
DPH	—	—	—	—	VDDA	NA	NA	USB high speed D+ data line
DMF	—	—	—	—	VDDA	NA	NA	USB full speed D- data line
DMH	—	—	—	—	VDDA	NA	NA	USB high speed D- data line
REF3V	—	—	—	—	VDDR	NA	NA	3.3V regulator reference for driving external NMOS regulator, default output 0V
PJ0	SALE	CFIORW	ATAIOWR	—	VDD3X	PERJ/ PPSJ	Disabled	Port J I/O Pin; SMHC SALE signal; CFHC IOWR signal; ATA5HC IOWR signal.
PJ1	SCLE	CFCE1	ATACS0	—	VDD3X	PERJ/ PPSJ	Disabled	Port J I/O Pin; SMHC SCLE signal; CFHC CE1 signal; ATA5HC CS0 signal.
PJ2 <sup>2</sup>	SWP	CFCE2	ATACS1	—	VDD3X	PERJ/ PPSJ	Disabled	Port J I/O Pin; SMHC SWP signal; CFHC CE2 signal; ATA5HC CS1 signal.
PM4	SBSY	CFIOIS16	SDDATA2	IOC3	VDD3X	PERM/ PPSM	Disabled	Port M I/O Pin; SMHC SBSY signal; SDHC data line; CFHC CFIOIS16 signal; Timer Channel.
PM3	SCE	CFINPACK	SDDATA1	IOC2	VDD3X	PERM/ PPSM	Disabled	Port M I/O Pin; SMHC SCE signal; SDHC data line; CFHC CFINPACK signal, Timer Channel.
PQ7	SDAT7	CFA7	IOC7	—	VDD3X	PERQ/ PPSQ	Disabled	Port Q I/O Pins; SMHC Data line; CFHC address line; Timer channel
PQ6	SDAT6	CFA6	IOC6	SDCLK	VDD3X	PERQ/ PPSQ	Disabled	Port Q I/O Pins; SMHC Data line; CFHC address line; Timer channel; SDHC Clock signal.
PQ5	SDAT5	CFA5	IOC5	SDCMD	VDD3X	PERQ/ PPSQ	Disabled	Port Q I/O Pins; SMHC Data line; CFHC address line; Timer channel; SDHC Command signal.

Pin Name Function 1	Pin Name Function 2	Pin Name Function 3	Pin Name Function 4	Pin Name Function 5	Supply Rail	Internal Pull Resistor		Description
						CTRL	Reset State	
PQ4	SDAT4	CFA4	ATADMACK	IOC4	VDD3X	PERQ/PPSQ	Disabled	Port Q I/O Pins; SMHC Data line; CFHC address line; ATA5HC DMACK signal; Timer Channel
PQ3	SDAT3	CFIORD	ATAIORD	—	VDD3X	PERQ/PPSQ	Disabled	Port Q I/O Pins; SMHC Data line, CFHC CFIORD signal; ATA5HC ATAIORD signal
PQ2	SDAT2	CFA2	ATADA2	—	VDD3X	PERQ/PPSQ	Disabled	Port Q I/O Pins; SMHC Data line; CFHC Address signal; ATA Address signal
PQ1	SDAT1	CFA1	ATADA1	—	VDD3X	PERQ/PPSQ	Disabled	Port Q I/O Pins; SMHC Data line; CFHC Address signal; ATA Address signal
PQ0	SDAT0	CFA0	ATADA0	—	VDD3X	PERQ/PPSQ	Disabled	Port Q I/O Pins; SMHC Data line; CFHC Address signal; ATA Address signal
PS7	MSSDIO	CFRDY/IREQ	ATAINTQ	—	VDDX	PERS/PPSS	Disabled	Port S I/O Pin; CFHC RDYIREQ signal; ATA INTQ signal; MSHC serial data I/O.
PS6	MSSCLK	CFWE	ATADMARQ	—	VDDX	PERS/PPSS	Disabled	Port S I/O Pin; CFHC WE signal; ATA DMARQ signal; MSHC serial clock.
PS5	TXD	—	—	—	VDDX	PERS/PPSS	Disabled	Port S I/O Pin; SCI TXD.
PS4	RXD	—	—	—	VDDX	PERS/PPSS	Disabled	Port S I/O Pin; SCI RXD.
PT1	SWE	CFOE	SDDATA3	IOC1	VDD3X	PERT/PPST	Disabled	Port T I/O Pins; SMHC SWE signal; CFHC CFOE signal; SDHC data; Timer channel;
PT0	SRE	CFREG	SDDATA0	IOC0	VDD3X	PERT/PPST	Disabled	Port T I/O Pins; SMHC SRE signal; CFHC CFREG signal; SDHC data; Timer channel;
PU0	SCD	CFWAIT	ATAIORDY	—	VDDX	PERU/PPSU	Disabled	Port U I/O Pins; CFHC WAIT signal; ATA IORDY signal; SMHC SCD signal.

NOTES:

1. This pin must be tied to VSS in Application
2. PJ2 is used as the ROMCTL signal during reset.



## 2.4 Detailed Signal Descriptions for 100-pin package

### 2.4.1 EXTAL, XTAL — Oscillator Pins

EXTAL and XTAL are the external clock and crystal driver pins. On reset all the device clocks are derived from the EXTAL input frequency. XTAL is the crystal output.

### 2.4.2 $\overline{\text{RESET}}$ — External Reset Pin

RESET is an active low bidirectional control signal that acts as an input to initialize the MCU to a known start-up state. It also acts as an open-drain output to indicate that an internal failure has been detected in the COP watchdog circuit. External circuitry connected to the RESET pin should not include a large capacitance that would interfere with the ability of this signal to rise to a valid logic one within 32 ECLK cycles after the low drive is released. Upon detection of any reset, an internal circuit drives the  $\overline{\text{RESET}}$  pin low and a clocked reset sequence controls when the MCU can begin normal processing. The  $\overline{\text{RESET}}$  pin includes an internal pull up device.

### 2.4.3 TEST — Test Pin

The TEST pin is reserved for test and must be tied to VSS in all applications.

### 2.4.4 VREGEN — Voltage Regulator Enable Pin

This input only pin enables or disables the on-chip voltage regulator. This pin should be connected to VDDR in normal application of the device.

### 2.4.5 BKGD / $\overline{\text{TAGHI}}$ / MODC — Background Debug, Tag High & Mode Pin

The BKGD /  $\overline{\text{TAGHI}}$  / MODC pin is used as a pseudo-open-drain pin for the background debug communication. It is used as a MCU operating mode select pin during reset. The state of this pin is latched to the MODC bit at the rising edge of RESET. In MCU expanded modes of operation, when instruction tagging is on, an input low on this pin during the falling edge of E-clock tags the high half of the instruction word being read into the instruction queue. This pin always has an internal pull up.

### 2.4.6 RPU — USB D+ pull up resistor termination

RPU is an analog input for the USB physical layer module. Refer to USB20D6E2F block guide for further information.

### 2.4.7 RREF — External bias resistor

RREF is an analog input for the USB physical layer module. Refer to USB20D6E2F block guide for further information.

### **2.4.8 DPF - USB Full Speed D+ data line**

DPF is the D+ analog input output line for full speed data communication in the USB physical layer module. This line is also used for D+ termination during high speed operation. Refer to USB20D6E2F block guide for further information.

### **2.4.9 DPH - USB High Speed D+ data line**

DPH is the D+ analog input output line for high speed data communication in the USB physical layer module. This line will be high impedance during full speed operation. Refer to USB20D6E2F block guide for further information.

### **2.4.10 DMF - USB Full Speed D- data line**

DMF is the D- analog input output line for full speed data communication in the USB physical layer module. This line is also used for D+ termination during high speed operation. Refer to USB20D6E2F block guide for further information.

### **2.4.11 DMH - USB High Speed D- data line**

DMH is the D- analog input output line for high speed data communication in the USB physical layer module. This line will be high impedance during full speed operation. Refer to USB20D6E2F block guide for further information.

### **2.4.12 PWROFF5V - power off 5V supply**

PWROFF5V is used for turning off 5V supply to external chips or memory card in conjunction with an external PMOS device, this signal is controlled by CFPMP register in CFHC module. Refer to CFHC block guide for further information.

### **2.4.13 PWROFF3V - power off 3V supply**

PWROFF3V is used for turning off 3V supply to external chips or memory card in conjunction with an external PMOS device, this signal is controlled by CFPMP register in CFHC module. Refer to CFHC block guide for further information.

### **2.4.14 REF3V - 3.3V reference for external regulator**

REF3V a regulator reference for driving an external NMOS device to provide the system with a regulated 3.3V supply. The feedback path for the REF3V is the VDD3X supply pin. Refer to VREG\_U block guide for further information.

### **2.4.15 PA[7:0] / ADDR[15:8] / DATA[15:8] / CFD[15:8] / ATAD[15:8] — Port A**

## I/O Pins

PA[7:0] are general purpose input or output pins. In MCU expanded modes of operation, these pins are used for the multiplexed external address and data bus. In single chip mode, this port can be configured as data bus for CFHC or ATA5HC. Refer to CFHC and ATA5HC block guide for further information.

### 2.4.16 PB[7:0] / ADDR[7:0] / DATA[7:0] / CFD[7:0] / ATAD[7:0] — Port B I/O Pins

PB[7:0] are general purpose input or output pins. In MCU expanded modes of operation, these pins are used for the multiplexed external address and data bus. In single chip mode, this port can be configured as data bus for CFHC or ATA5HC. Refer to CFHC and ATA5HC block guide for further information.

### 2.4.17 PE7 / NOACC — Port E I/O Pin 7

PE7 is a general purpose input or output pin. During MCU expanded modes of operation, the NOACC signal, when enabled, is used to indicate that the current bus cycle is an unused or free cycle. This signal will assert when the CPU is not using the bus.

### 2.4.18 PE6 / MODB / IPIPE1 — Port E I/O Pin 6

PE6 is a general purpose input or output pin. It is used as a MCU operating mode select pin during reset. The state of this pin is latched to the MODB bit at the rising edge of RESET. This pin is shared with the instruction queue tracking signal IPIPE1. This pin is an input with a pull-down device which is only active when RESET is low.

### 2.4.19 PE5 / MODA / IPIPE0 — Port E I/O Pin 5

PE5 is a general purpose input or output pin. It is used as a MCU operating mode select pin during reset. The state of this pin is latched to the MODA bit at the rising edge of RESET. This pin is shared with the instruction queue tracking signal IPIPE0. This pin is an input with a pull-down device which is only active when RESET is low.

### 2.4.20 PE4 / ECLK— Port E I/O Pin 4 / E-Clock Output

PE4 is a general purpose input or output pin. It can also be configured as the output connection for the internal bus clock (ECLK). ECLK is used to demultiplex the address and data in expanded modes and is used as a timing reference. The ECLK frequency is equal to 1/2 the crystal frequency out of reset. The ECLK output function depends upon the settings of the NECLK bit in the PEAR register, the IVIS bit in the MODE register and the ESTR bit in the EBICTL register. All clocks, including the ECLK, are halted when the MCU is in STOP mode. It is possible to configure the MCU to interface to slow external memory. ECLK can be stretched for such accesses. The PE4 pin is initially configured as ECLK output with stretch in all expanded modes. Reference the MISC register (EXSTR[1:0] bits) for more information. In normal expanded narrow mode, the ECLK is available for use in external select decode logic or as a constant speed clock for use in the external application system.

### 2.4.21 PE3 / $\overline{\text{LSTRB}}$ / $\overline{\text{TAGLO}}$ — Port E I/O Pin 3 / Low-Byte Strobe ( $\overline{\text{LSTRB}}$ )

PE3 can be used as a general-purpose I/O in all modes and is an input with an active pull-up out of reset. PE3 can also be configured as a Low-Byte Strobe ( $\overline{\text{LSTRB}}$ ). The  $\overline{\text{LSTRB}}$  signal is used in write operations, so external low byte writes will not be possible until this function is enabled.  $\overline{\text{LSTRB}}$  can be enabled by setting the LSTRE bit in the PEAR register. In Expanded Wide and Emulation Narrow modes, and when BDM tagging is enabled, the  $\overline{\text{LSTRB}}$  function is multiplexed with the  $\overline{\text{TAGLO}}$  function. When enabled a logic zero on the  $\overline{\text{TAGLO}}$  pin at the falling edge of ECLK will tag the low byte of an instruction word being read into the instruction queue.

### 2.4.22 PE2 / $\overline{\text{R/W}}$ — Port E I/O Pin 2 / Read/Write

PE2 can be used as a general-purpose I/O in all modes and is configured an input with an active pull-up out of reset. If the read/write function is required it should be enabled by setting the RDWE bit in the PEAR register. External writes will not be possible until the read/write function is enabled.

### 2.4.23 PE1 / $\overline{\text{IRQ}}$ — Port E input Pin 1 / Maskable Interrupt Pin

PE1 is always an input and can always be read. The PE1 pin is also the  $\overline{\text{IRQ}}$  input used for requesting an asynchronous interrupt to the MCU. During reset, the I bit in the condition code register (CCR) is set and any  $\overline{\text{IRQ}}$  interrupt is masked until software enables it by clearing the I bit. The  $\overline{\text{IRQ}}$  is software programmable to either falling edge-sensitive triggering or level-sensitive triggering based on the setting of the IRQE bit in the IRQCR register. The  $\overline{\text{IRQ}}$  is always enabled and configured to level-sensitive triggering out of reset. It can be disabled by clearing IRQEN bit in the IRQCR register. There is an active pull-up on this pin while in reset and immediately out of reset. The pull-up can be turned off by clearing PUPPEE in the PUCR register.

### 2.4.24 PE0 / $\overline{\text{XIRQ}}$ — Port E input Pin 0 / Non Maskable Interrupt Pin

PE0 is always an input and can always be read. The PE0 pin is also the  $\overline{\text{XIRQ}}$  input for requesting a non-maskable asynchronous interrupt to the MCU. During reset, the X bit in the condition code register (CCR) is set and any  $\overline{\text{XIRQ}}$  interrupt is masked until MCU software enables it by clearing the X bit. Because the  $\overline{\text{XIRQ}}$  input is level sensitive triggered, it can be connected to a multiple-source wired-OR network. There is an active pull-up on this pin while in reset and immediately out of reset. The pull-up can be turned off by clearing PUPPEE in the PUCR register.

### 2.4.25 PJ2 / MSSCLK/ROMCTL - Port J I/O Pin 2

PJ2 is a general purpose input or output pin. In expanded modes the PJ2 pin can be used to determine the reset state of the ROMON bit in the MISC register. At the rising edge of RESET, the state of the PJ2 pin is latched to the ROMON bit. When the MSHC module is enabled it becomes the serial clock line (MSSCLK) for the MSHC module. While in reset and immediately out of reset the PJ2 pin is configured as a high impedance input pin. Consult the Port Integration Module (PIM) PIM\_9UF32 Block Guide and the MSHC Block Guide for information about pin configurations.

### 2.4.26 PJ1 / MSSDIO - Port J I/O Pin 1

PJ1 is a general purpose input or output pin. When the MSHC module is enabled it becomes the serial data line (MSSDIO) for the MSHC module. While in reset and immediately out of reset the PJ1 pin is configured as a high impedance input pin. Consult the Port Integration Module (PIM) PIM\_9UF32 Block Guide and the MSHC Block Guide for information about pin configurations.

### 2.4.27 PJ0 / MSBS - Port J I/O Pin 0

PJ0 is a general purpose input or output pin. When the MSHC module is enabled it becomes the bus state line (MSBS) for the MSHC module. While in reset and immediately out of reset the PJ0 pin is configured as a high impedance input pin. Consult the Port Integration Module (PIM) PIM\_9UF32 Block Guide and the MSHC Block Guide for information about pin configurations.

### 2.4.28 PM[5:2] / SDDATA[3:0] - Port M I/O Pin [5:2]

PM[5:2] are general purpose input or output pins. When the SDHC module is enabled they become the data line (SDDATA[3:0]) for the SDHC module. While in reset and immediately out of reset the PM[5:2] pins are configured as a high impedance input pin. Consult the Port Integration Module (PIM) PIM\_9UF32 Block Guide and the SDHC Block Guide for information about pin configurations.

### 2.4.29 PM1 / SDCLK — Port M I/O Pin 1

PM1 is a general purpose input or output pin. When the SDHC module is enabled the PM1 pin is configured as the SDCLK of the SDHC module. While in reset and immediately out of reset the PM1 pin is configured as a high impedance input pin. Consult the Port Integration Module (PIM) PIM\_9UF32 Block Guide and the SDHC Block Guide for information about pin configurations.

### 2.4.30 PM0 / SDCMD — Port M I/O Pin 0

PM0 is a general purpose input or output pin. When the SDHC module is enabled the PM0 pin is configured as the SDCMD of the SDHC module. While in reset and immediately out of reset the PM0 pin is configured as a high impedance input pin. Consult the Port Integration Module (PIM) PIM\_9UF32 Block Guide and the SDHC Block Guide for information about pin configurations.

### 2.4.31 PP7 / SRE / ACFD15 / AATAD15— Port P I/O Pin 7

PP7 are general purpose input or output pin. When enabled in the SMHC module, the PP7 pin becomes the read enable pin, SRE. When the SMHC is not enabled, it can be configured in the PIM module to become the alternate data pins for CFHC or ATA5HC in place of PA7. While in reset and immediately out of reset PP7 pin is configured as a high impedance input pin. Consult the Port Integration Module (PIM) PIM\_9UF32 Block Guide, the CFHC Block Guide, the ATA5HC Block Guide and the MSHC Block Guide for information about pin configurations.

### **2.4.32 PP6 / SWE / ACFD14 / AATAD14— Port P I/O Pin 6**

PP6 are general purpose input or output pin. When enabled in the SMHC module, the PP6 pin becomes the write enable pin, SWE. When the SMHC is not enabled, it can be configured in the PIM module to become the alternate data pins for CFHC or ATA5HC in place of PA6. While in reset and immediately out of reset PP6 pin is configured as a high impedance input pin. Consult the Port Integration Module (PIM) PIM\_9UF32 Block Guide, the CFHC Block Guide, the ATA5HC Block Guide and the MSHC Block Guide for information about pin configurations.

### **2.4.33 PP5 / SALE / ACFD13 / AATAD13— Port P I/O Pin 5**

PP5 are general purpose input or output pin. When enabled in the SMHC module, the PP5 pin becomes the address latch enable pin, SALE. When the SMHC is not enabled, it can be configured in the PIM module to become the alternate data pins for CFHC or ATA5HC in place of PA5. While in reset and immediately out of reset PP5 pin is configured as a high impedance input pin. Consult the Port Integration Module (PIM) PIM\_9UF32 Block Guide, the CFHC Block Guide, the ATA5HC Block Guide and the MSHC Block Guide for information about pin configurations.

### **2.4.34 PP4 / SCLE / ACFD12 / AATAD12— Port P I/O Pin 4**

PP4 are general purpose input or output pin. When enabled in the SMHC module, the PP4 pin becomes the command latch enable pin, SCLE. When the SMHC is not enabled, it can be configured in the PIM module to become the alternate data pins for CFHC or ATA5HC in place of PA4. While in reset and immediately out of reset PP4 pin is configured as a high impedance input pin. Consult the Port Integration Module (PIM) PIM\_9UF32 Block Guide, the CFHC Block Guide, the ATA5HC Block Guide and the MSHC Block Guide for information about pin configurations.

### **2.4.35 PP3 / SWP / ACFD11 / AATAD11— Port P I/O Pin 3**

PP3 are general purpose input or output pin. When enabled in the SMHC module, the PP3 pin becomes the write protect pin, SWP. When the SMHC is not enabled, it can be configured in the PIM module to become the alternate data pins for CFHC or ATA5HC in place of PA3. While in reset and immediately out of reset PP3 pin is configured as a high impedance input pin. Consult the Port Integration Module (PIM) PIM\_9UF32 Block Guide, the CFHC Block Guide, the ATA5HC Block Guide and the MSHC Block Guide for information about pin configurations.

### **2.4.36 PP2 / SCE / ACFD10 / AATAD10— Port P I/O Pin 2**

PP2 are general purpose input or output pin. When enabled in the SMHC module, the PP2 pin becomes the chip enable pin, SCE. When the SMHC is not enabled, it can be configured in the PIM module to become the alternate data pins for CFHC or ATA5HC in place of PA2. While in reset and immediately out of reset PP2 pin is configured as a high impedance input pin. Consult the Port Integration Module (PIM) PIM\_9UF32 Block Guide, the CFHC Block Guide, the ATA5HC Block Guide and the MSHC Block Guide for information about pin configurations.

### 2.4.37 PP1 / SCD / ACFD9 / AATAD9— Port P I/O Pin 1

PP1 are general purpose input or output pin. When enabled in the SMHC module, the PP1 pin becomes the card detect pin, SCD. When the SMHC is not enabled, it can be configured in the PIM module to become the alternate data pins for CFHC or ATA5HC in place of PA1. While in reset and immediately out of reset PP1 pin is configured as a high impedance input pin. Consult the Port Integration Module (PIM) PIM\_9UF32 Block Guide, the CFHC Block Guide, the ATA5HC Block Guide and the MSHC Block Guide for information about pin configurations.

### 2.4.38 PP0 / SBSY / ACFD8 / AATAD8— Port P I/O Pin 0

PP0 are general purpose input or output pin. When enabled in the SMHC module, the PP0 pin becomes the busy pin, SBSY. When the SMHC is not enabled, it can be configured in the PIM module to become the alternate data pins for CFHC or ATA5HC in place of PA0. While in reset and immediately out of reset PP0 pin is configured as a high impedance input pin. Consult the Port Integration Module (PIM) PIM\_9UF32 Block Guide, the CFHC Block Guide, the ATA5HC Block Guide and the MSHC Block Guide for information about pin configurations.

### 2.4.39 PQ[7:0] / SDAT[7:0] / ACFD[7:0] / AATAD[7:0]— Port Q I/O Pins [7:0]

PQ[7:0] are general purpose input or output pins. When enabled in the SMHC module, the PQ[7:0] pins become the Smartmedia Data pins, SDAT[7:0]. When the SMHC is not enabled, it can be configured in the PIM module to become the alternate data pins for CFHC or ATA5HC in place of PB[7:0]. While in reset and immediately out of reset PQ[7:0] pins are configured as high impedance input pins. Consult the Port Integration Module (PIM) PIM\_9UF32 Block Guide, the CFHC Block Guide, the ATA5HC Block Guide and the MSHC Block Guide for information about pin configurations.

### 2.4.40 PR[1:0] / CFA[4:3] — Port R I/O Pins [1:0]

PR[1:0] are general purpose input or output pins. When enabled in the CFHC module, the PR[1:0] pins become the Compact Flash address pins, CFA[4:3]. Individual port pins can be configured as either CF address or general purpose I/O pins in CFHC module. While in reset and immediately out of reset PR[1:0] pins are configured as high impedance input pins. Consult the Port Integration Module (PIM) PIM\_9UF32 Block Guide and the CFHC Block Guide for information about pin configurations.

### 2.4.41 PR[2] / CFA[5] / RXD — Port R I/O Pins [2]

PR[2] is general purpose input or output pin. When enabled in the CFHC module, the PR[2] pin becomes the Compact Flash address pin, CFA[5]. This port pin can be configured as either CF address or general purpose I/O pin in CFHC module. When the CFHC module is not enabled or this pin is released, it can also be configured as the RXD pin when the SCI module is enabled. While in reset and immediately out of reset PR[2] pin is configured as high impedance input pin. Consult the Serial Communication Interface (SCI), the Port Integration Module (PIM) PIM\_9UF32 Block Guide and the CFHC Block Guide for information about pin configurations.

#### **2.4.42 PR[3] / CFA[6] / TXD — Port R I/O Pins [3]**

PR[3] is general purpose input or output pin. When enabled in the CFHC module, the PR[3] pin becomes the Compact Flash address pin, CFA[6]. This port pin can be configured as either CF address or general purpose I/O pin in CFHC module. When the CFHC module is not enabled or this pin is released, it can also be configured as the TXD pin when the SCI module is enabled. While in reset and immediately out of reset PR[3] pin is configured as high impedance input pin. Consult the Serial Communication Interface (SCI), the Port Integration Module (PIM) PIM\_9UF32 Block Guide and the CFHC Block Guide for information about pin configurations.

#### **2.4.43 PR[7:4] / CFA[10:7] / IOC[7:4] — Port R I/O Pins [7:4]**

PR[7:4] are general purpose input or output pins. When enabled in the CFHC module, the PR[7:4] pins become the Compact Flash address pins, CFA[10:7]. Individual port pins can be configured as either CF address or released for other function in CFHC module. When the CFHC module is not enabled or these pins are released, they can also be configured as the TIM input capture or output compare pins IOC[7:4] when the TIM module is enabled. While in reset and immediately out of reset PR[7:4] pins are configured as high impedance input pins. Consult the Port Integration Module (PIM) PIM\_9UF32 Block Guide, the CFHC Block Guide and the TIM\_16B8C Block Guide for information about pin configurations.

#### **2.4.44 PS7 / CFRDY(CFIREQ) / ATAINQ — Port S I/O Pin 7**

PS7 is a general purpose input or output pin. When the compact flash host controller (CFHC) is enabled PS7 becomes the compact flash ready or interrupt pin, CFRDY/IREQ, depending on the operating mode. When the CFHC is not enabled, it can be configured as the ATA interrupt pin, ATAINQ, when the ATA5 host controller (ATA5HC) is enabled. While in reset and immediately out of reset the PS7 pin is configured as a high impedance input pin. Consult the Port Integration Module (PIM) PIM\_9UF32 Block Guide, the CFHC Block Guide and the ATA5HC Block Guide for information about pin configurations.

#### **2.4.45 PS6 / CFWE / ATADMARQ — Port S I/O Pin 6**

PS6 is a general purpose input or output pin. When the compact flash host controller (CFHC) is enabled PS6 becomes the compact flash write enable pin, CFWE. When the CFHC is not enabled, it can be configured as the ATA DMA request pin, ATADMARQ, when the ATA5 host controller (ATA5HC) is enabled. While in reset and immediately out of reset the PS6 pin is configured as a high impedance input pin. Consult the Port Integration Module (PIM) PIM\_9UF32 Block Guide, the CFHC Block Guide and the ATA5HC Block Guide for information about pin configurations.

#### **2.4.46 PS5 / CFIOWR / ATAIOWR — Port S I/O Pin 5**

PS5 is a general purpose input or output pin. When the compact flash host controller (CFHC) is enabled PS5 becomes the compact flash I/O write pin, CFIOWR. When the CFHC is not enabled, it can be configured as the ATA I/O write pin, ATAIOWR, when the ATA5 host controller (ATA5HC) is enabled. While in reset and immediately out of reset the PS5 pin is configured as a high impedance input pin.



Consult the Port Integration Module (PIM) PIM\_9UF32 Block Guide, the CFHC Block Guide and the ATA5HC Block Guide for information about pin configurations.

#### **2.4.47 PS4 / CFIORD / ATAIORD — Port S I/O Pin 4**

PS4 is a general purpose input or output pin. When the compact flash host controller (CFHC) is enabled PS4 becomes the compact flash I/O read pin, CFIORD. When the CFHC is not enabled, it can be configured as the ATA I/O read pin, ATAIORD, when the ATA5 host controller (ATA5HC) is enabled. While in reset and immediately out of reset the PS4 pin is configured as a high impedance input pin. Consult the Port Integration Module (PIM) PIM\_9UF32 Block Guide, the CFHC Block Guide and the ATA5HC Block Guide for information about pin configurations.

#### **2.4.48 PS3 / CFCE2 / ATACS1 — Port S I/O Pin 3**

PS3 is a general purpose input or output pin. When the compact flash host controller (CFHC) is enabled PS3 becomes the compact flash chip enable 2 pin, CFCE2. When the CFHC is not enabled, it can be configured as the ATA chip select 1 pin, ATACS1, when the ATA5 host controller (ATA5HC) is enabled. While in reset and immediately out of reset the PS3 pin is configured as a high impedance input pin. Consult the Port Integration Module (PIM) PIM\_9UF32 Block Guide, the CFHC Block Guide and the ATA5HC Block Guide for information about pin configurations.

#### **2.4.49 PS2 / CFIOIS16 — Port S I/O Pin 2**

PS2 is a general purpose input or output pin. When the compact flash host controller (CFHC) is enabled PS2 becomes the compact flash I/O select 16-bit pin, CFIOIS16. While in reset and immediately out of reset the PS2 pin is configured as a high impedance input pin. Consult the Port Integration Module (PIM) PIM\_9UF32 Block Guide and the CFHC Block Guide for information about pin configurations.

#### **2.4.50 PS1 / CFOE — Port S I/O Pin 1**

PS1 is a general purpose input or output pin. When the compact flash host controller (CFHC) is enabled PS1 becomes the compact flash output enable pin, CFOE. While in reset and immediately out of reset the PS2 pin is configured as a high impedance input pin. Consult the Port Integration Module (PIM) PIM\_9UF32 Block Guide and the CFHC Block Guide for information about pin configurations.

#### **2.4.51 PS0 / CFCE1 / ATACS0 — Port S I/O Pin 0**

PS0 is a general purpose input or output pin. When the compact flash host controller (CFHC) is enabled PS0 becomes the compact flash chip enable 1 pin, CFCE1. When the CFHC is not enabled, it can be configured as the ATA chip select 0 pin, ATACS0, when the ATA5 host controller (ATA5HC) is enabled. While in reset and immediately out of reset the PS0 pin is configured as a high impedance input pin. Consult the Port Integration Module (PIM) PIM\_9UF32 Block Guide, the CFHC Block Guide and the ATA5HC Block Guide for information about pin configurations.

### 2.4.52 PT[3:0] / IOC[3:0]— Port T I/O Pins [3:0]

PT[3:0] are general purpose input or output pins. When the Timer system (TIM) is enabled they can also be configured as the TIM input capture or output compare pins IOC[3:0]. While in reset and immediately out of reset the PT[3:0] pins are configured as a high impedance input pins. Consult the Port Integration Module (PIM) PIM\_9UF32 Block Guide and the TIM\_16B8C Block Guide for information about pin configurations.

### 2.4.53 PU[5:3] / CFA[2:0] / ATADA[2:0] — Port U I/O Pins [5:3]

PU[5:3] are general purpose input or output pins. When the compact flash host controller (CFHC) is enabled PU[5:3] becomes the compact flash address pin, CFA[2:0]. When the CFHC is not enabled, it can be configured as the ATA address pin, ATADA[2:0], when the ATA5 host controller (ATA5HC) is enabled. While in reset and immediately out of reset the PU[5:3] pin is configured as a high impedance input pin. Consult the Port Integration Module (PIM) PIM\_9UF32 Block Guide, the CFHC Block Guide and the ATA5HC Block Guide for information about pin configurations.

### 2.4.54 PU2 / CFREG — Port U I/O Pin 2

PU2 is a general purpose input or output pin. When the compact flash host controller (CFHC) is enabled PU2 becomes the compact flash register select pin, CFREG. While in reset and immediately out of reset the PU2 pin is configured as a high impedance input pin. Consult the Port Integration Module (PIM) PIM\_9UF32 Block Guide and the CFHC Block Guide for information about pin configurations.

### 2.4.55 PU1 / CFINPACK / ATADMACK — Port U I/O Pin 1

PU1 is a general purpose input or output pin. When the compact flash host controller (CFHC) is enabled PU1 becomes the compact flash input acknowledge pin, CFINPACK. When the CFHC is not enabled, it can be configured as the ATA DMA acknowledge pin, ATADMACK, when the ATA5 host controller (ATA5HC) is enabled. While in reset and immediately out of reset the PU1 pin is configured as a high impedance input pin. Consult the Port Integration Module (PIM) PIM\_9UF32 Block Guide, the CFHC Block Guide and the ATA5HC Block Guide for information about pin configurations.

### 2.4.56 PU0 / CFWAIT / ATAIORDY — Port U I/O Pin 0

PU0 is a general purpose input or output pin. When the compact flash host controller (CFHC) is enabled PU0 becomes the compact flash wait pin, CFWAIT. When the CFHC is not enabled, it can be configured as the ATA I/O ready pin, ATAIORDY, when the ATA5 host controller (ATA5HC) is enabled. While in reset and immediately out of reset the PU0 pin is configured as a high impedance input pin. Consult the Port Integration Module (PIM) PIM\_9UF32 Block Guide, the CFHC Block Guide and the ATA5HC Block Guide for information about pin configurations.

## 2.5 Detailed Signal Descriptions for 64-pin package

### 2.5.1 EXTAL, XTAL — Oscillator Pins

EXTAL and XTAL are the external clock and crystal driver pins. On reset all the device clocks are derived from the EXTAL input frequency. XTAL is the crystal output.

### 2.5.2 $\overline{\text{RESET}}$ — External Reset Pin

RESET is an active low bidirectional control signal that acts as an input to initialize the MCU to a known start-up state. It also acts as an open-drain output to indicate that an internal failure has been detected in the COP watchdog circuit. External circuitry connected to the RESET pin should not include a large capacitance that would interfere with the ability of this signal to rise to a valid logic one within 32 ECLK cycles after the low drive is released. Upon detection of any reset, an internal circuit drives the  $\overline{\text{RESET}}$  pin low and a clocked reset sequence controls when the MCU can begin normal processing. The  $\overline{\text{RESET}}$  pin includes an internal pull up device.

### 2.5.3 TEST — Test Pin

The TEST pin is reserved for test and must be tied to VSS in all applications.

### 2.5.4 BKGD / $\overline{\text{TAGHI}}$ / MODC — Background Debug, Tag High & Mode Pin

The BKGD /  $\overline{\text{TAGHI}}$  / MODC pin is used as a pseudo-open-drain pin for the background debug communication. It is used as a MCU operating mode select pin during reset. The state of this pin is latched to the MODC bit at the rising edge of RESET. In MCU expanded modes of operation, when instruction tagging is on, an input low on this pin during the falling edge of E-clock tags the high half of the instruction word being read into the instruction queue. This pin always has an internal pull up.

### 2.5.5 RPU — USB D+ pull up resistor termination

RPU is an analog input for the USB physical layer module. Refer to USB20D6E2F block guide for further information.

### 2.5.6 RREF — External bias resistor

RREF is an analog input for the USB physical layer module. Refer to USB20D6E2F block guide for further information.

### 2.5.7 DPF - USB Full Speed D+ data line

DPF is the D+ analog input output line for full speed data communication in the USB physical layer module. This line is also used for D+ termination during high speed operation. Refer to USB20D6E2F block guide for further information.

## 2.5.8 DPH - USB High Speed D+ data line

DPH is the D+ analog input output line for high speed data communication in the USB physical layer module. This line will be high impedance during full speed operation. Refer to USB20D6E2F block guide for further information.

## 2.5.9 DMF - USB Full Speed D- data line

DMF is the D- analog input output line for full speed data communication in the USB physical layer module. This line is also used for D+ termination during high speed operation. Refer to USB20D6E2F block guide for further information.

## 2.5.10 DMH - USB High Speed D- data line

DMH is the D- analog input output line for high speed data communication in the USB physical layer module. This line will be high impedance during full speed operation. Refer to USB20D6E2F block guide for further information.

## 2.5.11 REF3V - 3.3V reference for external regulator

REF3V a regulator reference for driving an external NMOS device to provide the system with a regulated 3.3V supply. The feedback path for the REF3V is the VDD3X supply pin. Refer to VREG\_U block guide for further information.

## 2.5.12 PA[5:0] / ADDR[13:8] / DATA[13:8] / CFD[13:8] / ATAD[13:8] — Port A I/O Pins

PA[5:0] are general purpose input or output pins. In MCU expanded modes of operation, these pins are used for the multiplexed external address and data bus. In single chip mode, this port can be configured as SDHC function, data bus for CFHC or ATA5HC. Refer to **Table 2-2** for module routing information. For further functional information, do refer to SDHC, CFHC and ATA5HC block guide.

## 2.5.13 PA[6] / ADDR[14] / DATA[14] / CFD[14] / ATAD[14] / MSBS— Port A I/O Pins

PA[6] is a general purpose input or output pin. In MCU expanded modes of operation, this pin is used for the multiplexed external address and data bus. In single chip mode, this port pin can be configured as MSBS signal for MSHC function, data bus pin for CFHC or ATA5HC. Refer to **Table 2-2** for module routing information. For further functional information, do refer to MSHC, CFHC and ATA5HC block guide.

### 2.5.14 PA[7] / ADDR[15] / DATA[15] / CFD[15] / ATAD[15] — Port A I/O Pins

PA[7] is a general purpose input or output pin. In MCU expanded modes of operation, this pin is used for the multiplexed external address and data bus. In single chip mode, this port can be configured as data bus pin for CFHC or ATA5HC. Refer to **Table 2-2** for module routing information. For further functional information, do refer to CFHC and ATA5HC block guide.

### 2.5.15 PB[7:0] / ADDR[7:0] / DATA[7:0] / CFD[7:0] / ATAD[7:0] / IOC[7:0] — Port B I/O Pins

PB[7:0] are general purpose input or output pins. In MCU expanded modes of operation, these pins are used for the multiplexed external address and data bus. In single chip mode, this port can be configured as timer function or data bus for either CFHC or ATA5HC. Refer to **Table 2-2** for module routing information. For further functional information, do refer to TIM\_16B8C, CFHC and ATA5HC block guide.

### 2.5.16 PE7 / NOACC / CAF10— Port E I/O Pin 7

PE7 is a general purpose input or output pin. During MCU expanded modes of operation, the NOACC signal, when enabled, is used to indicate that the current bus cycle is an unused or free cycle. In single chip mode, this port can be configured as address pin for CFHC. Refer to **Table 2-2** for module routing information. For further functional information, do refer to CFHC block guide.

### 2.5.17 PE6 / MODB / IPIPE1 / CFA9 — Port E I/O Pin 6

PE6 is a general purpose input or output pin. It is used as a MCU operating mode select pin during reset. The state of this pin is latched to the MODB bit at the rising edge of RESET. This pin is shared with the instruction queue tracking signal IPIPE1. This pin is an input with a pull-down device which is only active when RESET is low. In single chip mode, this port can be configured as address pin for CFHC. Refer to **Table 2-2** for module routing information. For further functional information, do refer to CFHC block guide.

### 2.5.18 PE5 / MODA / IPIPE0 / CFA8 — Port E I/O Pin 5

PE5 is a general purpose input or output pin. It is used as a MCU operating mode select pin during reset. The state of this pin is latched to the MODA bit at the rising edge of RESET. This pin is shared with the instruction queue tracking signal IPIPE0. This pin is an input with a pull-down device which is only active when RESET is low. In single chip mode, this port can be configured as address pin for CFHC. Refer to **Table 2-2** for module routing information. For further functional information, do refer to CFHC block guide.

### 2.5.19 PE4 / ECLK— Port E I/O Pin 4 / E-Clock Output

PE4 is a general purpose input or output pin. It can also be configured as the output connection for the internal bus clock (ECLK). ECLK is used to demultiplex the address and data in expanded modes and is

used as a timing reference. The ECLK frequency is equal to 1/2 the crystal frequency out of reset. The ECLK output function depends upon the settings of the NECLK bit in the PEAR register, the IVIS bit in the MODE register and the ESTR bit in the EBICTL register. All clocks, including the ECLK, are halted when the MCU is in STOP mode. It is possible to configure the MCU to interface to slow external memory. ECLK can be stretched for such accesses. The PE4 pin is initially configured as ECLK output with stretch in all expanded modes. Reference the MISC register (EXSTR[1:0] bits) for more information. In normal expanded narrow mode, the ECLK is available for use in external select decode logic or as a constant speed clock for use in the external application system.

### 2.5.20 PE3 / $\overline{\text{LSTRB}}$ / $\overline{\text{TAGLO}}$ / CFA3 — Port E I/O Pin 3 / Low-Byte Strobe ( $\overline{\text{LSTRB}}$ )

PE3 can be used as a general-purpose I/O in all modes and is an input with an active pull-up out of reset. PE3 can also be configured as a Low-Byte Strobe ( $\overline{\text{LSTRB}}$ ). The  $\overline{\text{LSTRB}}$  signal is used in write operations, so external low byte writes will not be possible until this function is enabled.  $\overline{\text{LSTRB}}$  can be enabled by setting the LSTRE bit in the PEAR register. In Expanded Wide and Emulation Narrow modes, and when BDM tagging is enabled, the  $\overline{\text{LSTRB}}$  function is multiplexed with the  $\overline{\text{TAGLO}}$  function. When enabled a logic zero on the  $\overline{\text{TAGLO}}$  pin at the falling edge of ECLK will tag the low byte of an instruction word being read into the instruction queue. In single chip mode, this port can be configured as address pin for CFHC. Refer to **Table 2-2** for module routing information. For further functional information, do refer to CFHC block guide.

### 2.5.21 PE2 / R/W — Port E I/O Pin 2 / Read/Write

PE2 can be used as a general-purpose I/O in all modes and is configured an input with an active pull-up out of reset. If the read/write function is required it should be enabled by setting the RDWE bit in the PEAR register. External writes will not be possible until the read/write function is enabled.

### 2.5.22 PE0 / $\overline{\text{XIRQ}}$ — Port E input Pin 0 / Non Maskable Interrupt Pin

PE0 is always an input and can always be read. The PE0 pin is also the  $\overline{\text{XIRQ}}$  input for requesting a non-maskable asynchronous interrupt to the MCU. During reset, the X bit in the condition code register (CCR) is set and any  $\overline{\text{XIRQ}}$  interrupt is masked until MCU software enables it by clearing the X bit. Because the  $\overline{\text{XIRQ}}$  input is level sensitive triggered, it can be connected to a multiple-source wired-OR network. There is an active pull-up on this pin while in reset and immediately out of reset. The pull-up can be turned off by clearing PUPEE in the PUCR register.

### 2.5.23 PJ2 / ATACS1 / SWP / CFCE2 / ROMCTL - Port J I/O Pin 2

PJ2 is a general purpose input or output pin. In expanded modes the PJ2 pin can be used to determine the reset state of the ROMON bit in the MISC register. At the rising edge of RESET, the state of the PJ2 pin is latched to the ROMON bit. This pin can be used as CFCE2 of CFHC module, ATACS1 of ATA5HC module or SWP of SMHC module. Refer to **Table 2-2** for module routing information. While in reset and immediately out of reset the PJ2 pin is configured as a high impedance input pin. Consult the Port

Integration Module (PIM) PIM\_9UF32 Block Guide, the CFHC Block Guide, the ATA5HC Block Guide and the SMHC Block Guide for information about pin configurations.

### 2.5.24 PJ1 / ATACS0 / SCLE / CFCE1 - Port J I/O Pin 1

PJ1 is a general purpose input or output pin. This pin can be used as CFCE1 of CFHC module, ATACS0 of ATA5HC module or SCLE of SMHC module. Refer to **Table 2-2** for module routing information. While in reset and immediately out of reset the PJ1 pin is configured as a high impedance input pin. Consult the Port Integration Module (PIM) PIM\_9UF32 Block Guide, the CFHC Block Guide, the ATA5HC Block Guide and the SMHC Block Guide for information about pin configurations.

### 2.5.25 PJ0 / ATAIOWR / SALE / CFIOWR - Port J I/O Pin 0

PJ0 is a general purpose input or output pin. This pin can be used as CFIOWR of CFHC module, ATAIOWR of ATA5HC module or SALE of SMHC module. Refer to **Table 2-2** for module routing information. While in reset and immediately out of reset the PJ0 pin is configured as a high impedance input pin. Consult the Port Integration Module (PIM) PIM\_9UF32 Block Guide, the CFHC Block Guide, the ATA5HC Block Guide and the SMHC Block Guide for information about pin configurations.

### 2.5.26 PM4 / IOC3 / SDDATA2 / SBSY / CFIOIS16 — Port M I/O Pin 4

PM4 is a general purpose input or output pin. This pin can be used as SDDATA2 of the SDHC module, CFIOIS16 of CFHC module, IOC3 of TIM\_16B8C module or SBSY of SMHC module. Refer to **Table 2-2** for module routing information. While in reset and immediately out of reset the PM4 pin is configured as a high impedance input pin. Consult the Port Integration Module (PIM) PIM\_9UF32 Block Guide, the CFHC Block Guide, the TIM\_16B8C Block Guide and the SMHC Block Guide for information about pin configurations.

### 2.5.27 PM3 / IOC2 / SDDATA1 / SCE / CFINPACK — Port M I/O Pin 3

PM3 is a general purpose input or output pin. This pin can be used as SDDATA1 of the SDHC module, IOC2 of TIM\_16B8C module, CFINPACK of CFHC module or SCE of SMHC module. Refer to **Table 2-2** for module routing information. While in reset and immediately out of reset the PM3 pin is configured as a high impedance input pin. Consult the Port Integration Module (PIM) PIM\_9UF32 Block Guide, the CFHC Block Guide, the TIM\_16B8C Block Guide and the SMHC Block Guide for information about pin configurations.

### 2.5.28 PQ7 / SDAT7 / CFA7 / IOC7 — Port Q I/O Pins 7

PQ4 is a general purpose input or output pin. This pin can be used as IOC7 of TIM\_16B8 module, CFA7 of CFHC module or SDAT7 of SMHC module. Refer to **Table 2-2** for module routing information. While in reset and immediately out of reset PQ7 pin is configured as high impedance input. Consult the Port Integration Module (PIM) PIM\_9UF32 Block Guide, the CFHC Block Guide, the TIM\_16B8C Block Guide and the SMHC Block Guide for information about pin configurations.

### 2.5.29 PQ6 / SDAT6 / CFA6 / SDCLK / IOC6 — Port Q I/O Pins 6

PQ4 is a general purpose input or output pin. This pin can be used as IOC6 of TIM\_16B8 module, SDCLK of SDHC module, CFA6 of CFHC module or SDAT6 of SMHC module. Refer to **Table 2-2** for module routing information. While in reset and immediately out of reset PQ6 pin is configured as high impedance input. Consult the Port Integration Module (PIM) PIM\_9UF32 Block Guide, the CFHC Block Guide, the TIM\_16B8C Block Guide, the SDHC Block Guide and the SMHC Block Guide for information about pin configurations.

### 2.5.30 PQ5 / SDAT5 / CFA5 / SDCMD / IOC5 — Port Q I/O Pins 5

PQ4 is a general purpose input or output pin. This pin can be used as IOC5 of TIM\_16B8 module, SDCMD of SDHC module, CFA5 of CFHC module or SDAT5 of SMHC module. Refer to **Table 2-2** for module routing information. While in reset and immediately out of reset PQ5 pin is configured as high impedance input. Consult the Port Integration Module (PIM) PIM\_9UF32 Block Guide, the CFHC Block Guide, the TIM\_16B8C Block Guide, the SDHC Block Guide and the SMHC Block Guide for information about pin configurations.

### 2.5.31 PQ4 / SDAT4 / CFA4 / ATADMACK / IOC4 — Port Q I/O Pins 4

PQ4 is a general purpose input or output pin. This pin can be used as IOC4 of TIM\_16B8 module, ATADMACK of ATA5HC module, CFA4 of CFHC module or SDAT4 of SMHC module. Refer to **Table 2-2** for module routing information. While in reset and immediately out of reset PQ4 pin is configured as high impedance input. Consult the Port Integration Module (PIM) PIM\_9UF32 Block Guide, the CFHC Block Guide, the TIM\_16B8C Block Guide, the ATA5HC Block Guide and the SMHC Block Guide for information about pin configurations.

### 2.5.32 PQ3 / SDAT3 / CFIORD / ATAIORD — Port Q I/O Pins 3

PQ3 is a general purpose input or output pin. This pin can be used as ATAIORD of ATA5HC module, CFIORD of CFHC module or SDAT3 of SMHC module. Refer to **Table 2-2** for module routing information. While in reset and immediately out of reset PQ3 pin is configured as high impedance input. Consult the Port Integration Module (PIM) PIM\_9UF32 Block Guide, the CFHC Block Guide, the ATA5HC Block Guide and the SMHC Block Guide for information about pin configurations.

### 2.5.33 PQ[2:0] / SDAT[2:0] / CFA[2:0] / ATADA[2:0]— Port Q I/O Pins [2:0]

PQ[2:0] are general purpose input or output pins. This pin can be used as ATADA[2:0] of ATA5HC module, CFA[2:0] of CFHC module or SDAT[2:0] of SMHC module. Refer to **Table 2-2** for module routing information. While in reset and immediately out of reset PQ[2:0] pins are configured as high impedance input pins. Consult the Port Integration Module (PIM) PIM\_9UF32 Block Guide, the CFHC Block Guide, the ATA5HC Block Guide and the SMHC Block Guide for information about pin configurations.



### 2.5.34 PS7 / CFRDY(CFIREQ) / ATAINTQ / MSSDIO — Port S I/O Pin 7

PS7 is a general purpose input or output pin. This pin can be configured as MSSDIO signal of the MSHC module; ATAINTQ signal of the ATA5HC module or the CFRDY/CFIREQ signal of the CFHC module. Refer to **Table 2-2** for module routing information. While in reset and immediately out of reset the PS7 pin is configured as a high impedance input pin. Consult the Port Integration Module (PIM) PIM\_9UF32 Block Guide, the MSHC Block Guide, the CFHC Block Guide and the ATA5HC Block Guide for information about pin configurations.

### 2.5.35 PS6 / CFWE / ATADMARQ / MSCLK — Port S I/O Pin 6

PS6 is a general purpose input or output pin. This pin can be configured as MSCLK signal of the MSHC module; ATADMARQ signal of the ATA5HC module or the CFWE signal of the CFHC module. Refer to **Table 2-2** for module routing information. While in reset and immediately out of reset the PS6 pin is configured as a high impedance input pin. Consult the Port Integration Module (PIM) PIM\_9UF32 Block Guide, the CFHC Block Guide, the MSHC Block Guide and the ATA5HC Block Guide for information about pin configurations.

### 2.5.36 PS5 / TXD — Port S I/O Pin 5

PS5 is a general purpose input or output pin. It can also be configured as the TXD pin when the SCI module. While in reset and immediately out of reset the PS5 pin is configured as a high impedance input pin. Consult the Serial Communication Interface (SCI) Block Guide for more information.

### 2.5.37 PS4 / RXD — Port S I/O Pin 4

PS4 is a general purpose input or output pin. It can also be configured as the RXD pin when the SCI module. While in reset and immediately out of reset the PS4 pin is configured as a high impedance input pin. Consult the Serial Communication Interface (SCI) Block Guide for more information.

### 2.5.38 PT1 / IOC1 / SDDATA3 / SWE / CFOE — Port T I/O Pin 1

PT1 is a general purpose input or output pin. This pin can be configured as IOC1 of TIM\_16B8 module, SDDATA3 signal of the SDHC module; SWE signal of the SMHC module or the CFOE signal of the CFHC module. Refer to **Table 2-2** for module routing information. While in reset and immediately out of reset the PT1 pin is configured as a high impedance input. Consult the SDHC Block Guide, SMHC Block Guide, CFHC Block Guide, Port Integration Module (PIM) PIM\_9UF32 Block Guide and the TIM\_16B8C Block Guide for information about pin configurations.

### 2.5.39 PT0 / IOC0 / SDDATA0 / SRE / CFREG — Port T I/O Pin 0

PT0 is a general purpose input or output pin. This pin can be used as CFREG of CFHC module, IOC0 of TIM\_16B8 module, SDDATA0 of SDHC module or SRE of SMHC module. Refer to **Table 2-2** for module routing information. While in reset and immediately out of reset the PT0 pin is configured as a high impedance input. Consult the SDHC Block Guide, SMHC Block Guide, CFHC Block Guide, Port

Integration Module (PIM) PIM\_9UF32 Block Guide and the TIM\_16B8C Block Guide for information about pin configurations.

### 2.5.40 PU0 / CFWAIT / ATAIORDY / SCD — Port U I/O Pin 0

PU0 is a general purpose input or output pin. This pin can be used as CFWAIT of CFHC module, ATAIORDY of ATA5HC module or SCD of SMHC module. Refer to **Table 2-2** for module routing information. While in reset and immediately out of reset the PU0 pin is configured as a high impedance input pin. Consult the Port Integration Module (PIM) PIM\_9UF32 Block Guide, the CFHC Block Guide and the ATA5HC Block Guide for information about pin configurations.

## 2.6 Power Supply Pins

MC9S12UF32 power and ground pins are described below.

**Table 2-5 MC9S12UF32 Power and Ground Connection Summary**

Mnemonic	Nominal Voltage	Description
VDDR	5.0V	External power and ground, supply to internal voltage regulator and supply to pin drivers for Port E, PWROFF3V, PWROFF5V, REF3V, VREGEN, BKDG and RESET.
VSSR	0 V	
VDD	2.5V	Internal digital core power generated by internal regulator.
VDDX	3.3/5.0 V	External power and ground, supply to pin drivers for Ports A, B, R, S and U.
VSSX	0 V	
VDD3X	3.3/5.0 V	External power and ground, supply to pin drivers for Port J, M, P, Q and T.
VSS3X	0 V	
VDDA	3.3V	Internal power and ground for USB PHY generated by internal regulator.
VSSA	0V	
VSSA1	0V	

**NOTE:** All VSS pins must be connected together in the application. Because fast signal transitions place high, short-duration current demands on the power supply, use bypass capacitors with high-frequency characteristics and place them as close to the MCU as possible. Bypass requirements depend on MCU pin load.

### 2.6.1 VDDR, VSSR - Power & Ground Pins for I/O Drivers & for Internal Voltage Regulator

External power and ground for I/O drivers of Port E, PWROFF3V, PWROFF5V, BKDG, TEST, RESET, VREGEN, and REG3V. Also input to the internal voltage regulator.

## 2.6.2 VDD - Core Power Pin

This 2.5v supply is derived from the internal voltage regulator. There is no static load on this pin allowed. The internal voltage regulator is turned off if VREGEN is tied to ground. In that case, VDD must be supplied externally with 2.5v.

*NOTE: No load allowed except for bypass capacitors.*

## 2.6.3 VDDX, VSSX - Power & Ground Pins for I/O Drivers

External power and ground for I/O drivers of Ports B, A, U, S and R.

## 2.6.4 VDD3X, VSS3X - Power & Ground Pins for I/O Drivers

External power and ground for I/O drivers of Ports Q, P, M, J and T.

## 2.6.5 VDDA, VSSA, VSSA1 - USB PHY Power Pins

VDDA is 3.3v output for connecting USB pull-up resistor (RPU).

*NOTE: No load allowed except for bypass capacitors and RPU.*

VSSA and VSSA1 are ground of USB PHY, which generates the 480bps USB signals. VSSA should also be used for ground of Pierce oscillator crystal.

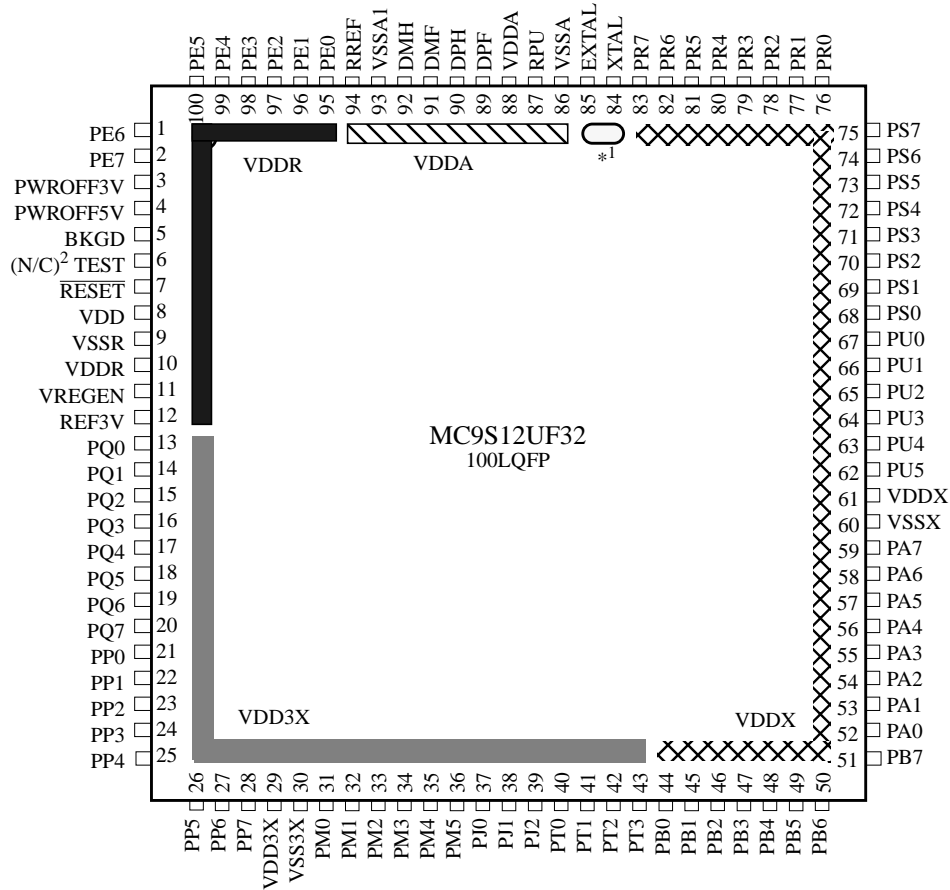
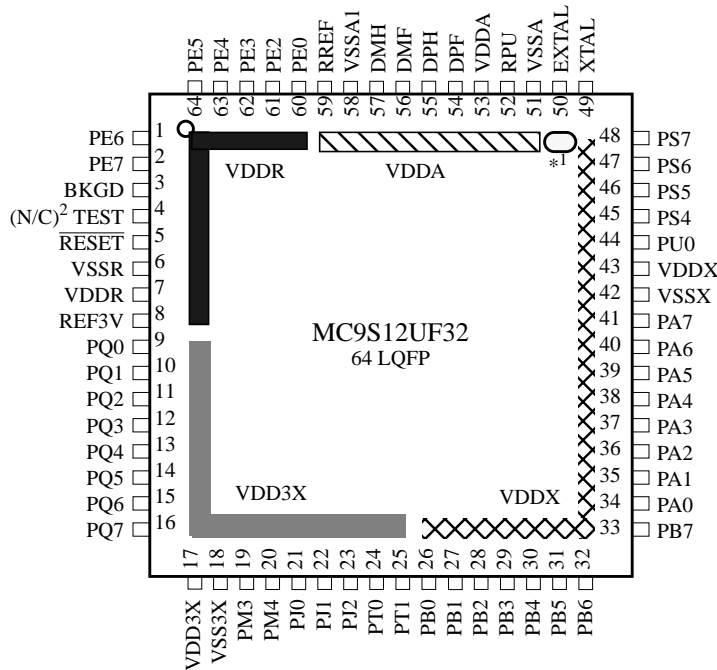


Figure 2-3 Supply rails for various I/O pins of 100-pin package

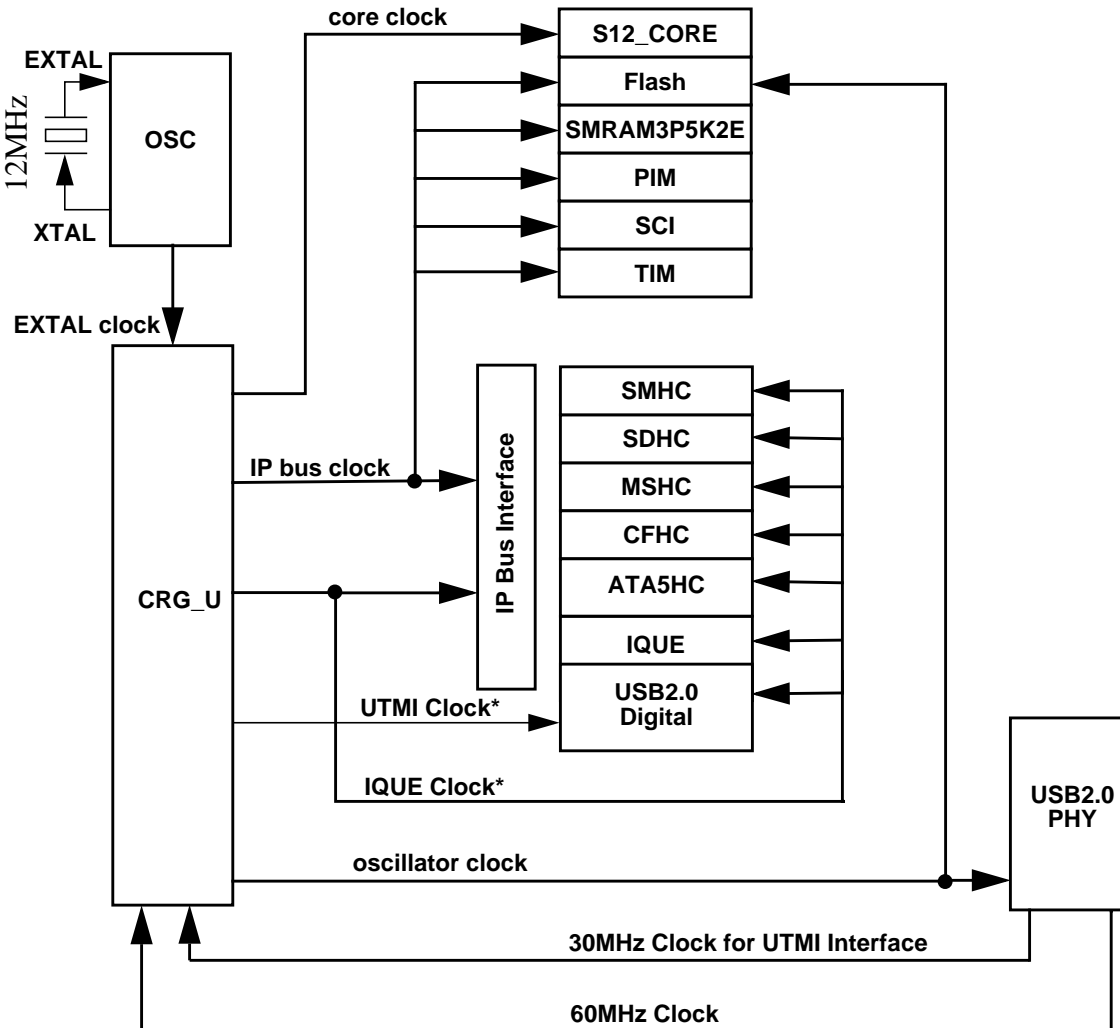


1. Oscillator pads EXTAL and XTAL are supplied by internal voltage regulator directly.
2. TEST pin is for factory test only. For normal use, it can be left unconnected.

Figure 2-4 Supply rails for various I/O pins of 64-pin package

## Section 3 System Clock Description

The clock is generated by the USB20PHY analog sub-block in the USB20D6E2F module. The Clock and Reset Generator distributes the internal clock signals for the core and all peripheral modules. **Figure 3-1** shows the clock connections from the CRG\_U to all modules. Consult the CRG\_U Block Guide for details on clock generation.



**Figure 3-1 Clock Connections<sup>1</sup>**

**NOTES:**

1. UTMI clock and IQUE clock are fixed 30MHz and 60MHz respectively only when PHY (instead of OSC) is selected as the clock source. See CRG\_U Block Guide for details.

## Section 4 Modes of Operation

### 4.1 Overview

Eight possible modes determine the operating configuration of the MC9S12UF32. Each mode has an associated default memory map and external bus configuration. In addition each operating mode, with the exception of Special Peripheral Mode (SPM), can be configured for low power operation by entering one of two low power sub-modes. The device is also equipped with security features which restrict certain modes of operation and limit access to internal memory. More detailed information on the various operating modes, and their configurations can be found in the HCS12 V1.5 Core User Guide.

### 4.2 Modes of Operation

There are two basic categories of operating modes:

1. **Normal** modes: Some registers and bits are protected against accidental changes.
2. **Special** modes: Allow greater access to protected control registers and bits for special purposes such as testing.

In all Normal and Special modes a system development and debug feature, background debug mode (BDM), is available. In special single-chip mode, BDM is active immediately after reset.

The operating mode out of reset is determined by the states of the MODC, MODB, and MODA pins during reset (**Table 4-1**). The MODC, MODB, and MODA bits in the MODE register show the current operating mode and provide limited mode switching during operation. The states of the MODC, MODB, and MODA pins are latched into these bits on the rising edge of the reset signal. When resetting into all modes except SPM, the ESTR bit in the EBICTL register is set to one, configuring the ECLK as a bus control signal, to assure that the reset vector can be fetched even if it located in an external slow memory device.

**Table 4-1 Mode Selection**

BKGD = MODC	PE6 = MODB	PE5 = MODA	Mode Description
0	0	0	Special Single Chip, BDM allowed and ACTIVE. BDM is allowed in all other modes but a serial command is required to make BDM active.
0	0	1	Emulation Expanded Narrow, BDM allowed
0	1	0	Special Test (Expanded Wide), BDM allowed
0	1	1	Emulation Expanded Wide, BDM allowed
1	0	0	Normal Single Chip, BDM allowed
1	0	1	Normal Expanded Narrow, BDM allowed
1	1	0	Special Peripheral; BDM allowed but bus operations would cause bus conflicts (must not be used)
1	1	1	Normal Expanded Wide, BDM allowed

The following sections discuss the default bus setup and describe which aspects of the bus can be changed after reset on a per mode basis.

## 4.2.1 Normal Operating Modes

These modes provide three operating configurations: Normal Single-Chip Mode, Normal Expanded Wide Mode, and Normal Expanded Narrow Mode. Background debug (BDM) is available in all three normal modes, but must first be enabled for some operations by means of a BDM background command, then activated.

### 4.2.1.1 Normal Single-Chip Mode

There is no external expansion bus in this mode. Ports A and B are general purpose I/O pins, initially configured as high-impedance inputs with their internal pull-ups disabled. Port pins PE[7:2] are general purpose I/O pins, and port pins PE[1:0] are available as general purpose input only pins. All of Port E pins are initially configured as high-impedance inputs with internal pull-ups enabled.

The pins associated with Port E bits 6, 5, 3, and 2 cannot be configured for their alternate functions IPIPE1, IPIPE0,  $\overline{\text{LSTRB}}$ , and  $\text{R}/\overline{\text{W}}$  while the MCU is in normal single chip mode. In normal single chip mode, the associated control bits PIPOE, LSTRE, and RDWE are reset to zero, and writing a one to them in this mode does not change the operation of the associated Port E pins.

In normal single chip mode, the MODE register is writable one time. This allows a user program to change the bus mode to special single chip or normal expanded wide or normal expanded narrow modes and/or turn on visibility of internal accesses.

Port E, bit 4 can be configured for a free-running ECLK output by clearing NECLK=0. Typically the only use for an ECLK output while the MCU is in normal single chip mode would be to get a constant speed clock for use in the external application system.

### 4.2.1.2 Normal Expanded Wide Mode

In normal expanded wide mode, Ports A and B are configured as a 16-bit multiplexed address and data bus and Port PE4 is configured as the ECLK output signal. These signals allow external memory and peripheral devices to be interfaced to the MCU.

Port E pins other than PE4/ECLK are configured as general purpose I/O pins (initially high-impedance inputs with internal pull-up resistors enabled). Control bits PIPOE, NECLK, LSTRE, and RDWE in the PEAR register can be used to configure Port E pins to act as bus control outputs instead of general purpose I/O pins.

It is possible to enable the pipe status signals on Port E bits 6 and 5 by setting the PIPOE bit in the PEAR register, but it would be unusual to do so in this mode. Development systems where pipe status signals are monitored would typically use the special variation of this mode.

The Port E bit 2 pin can be re-configured as the  $\text{R}/\overline{\text{W}}$  bus control signal by writing “1” to the RDWE bit in the PEAR register. If the expanded system includes external devices that can be written, such as RAM, the RDWE bit would need to be set before any attempt to write to an external location. If there are no writable resources in the external system, PE2 can be left as a general purpose I/O pin.

The Port E bit 3 pin can be re-configured as the  $\overline{\text{LSTRB}}$  bus control signal by writing “1” to the LSTRE bit in the PEAR register. The default condition of this pin is a general purpose input because the  $\overline{\text{LSTRB}}$  function is not needed in all expanded wide applications.

The Port E bit 4 pin is initially configured as ECLK output with stretch. The ECLK output function depends upon the settings of the NECLK bit in the PEAR register, the IVIS bit in the MODE register and the ESTR bit in the EBICTL register. The ECLK is available for use in external select decode logic or as a constant speed clock for use in the external application system.

#### 4.2.1.3 Normal Expanded Narrow Mode

The normal expanded narrow mode is used for lower cost production systems that use 8-bit wide external EPROMs or RAMs. Such systems take extra bus cycles to access 16-bit locations but this may be preferred over the extra cost of additional external memory devices.

Ports A and B are configured as a 16-bit address bus and Port A is multiplexed with data. Internal visibility is not available in this mode because the internal cycles would need to be split into two 8-bit cycles.

Since the PEAR register can only be written one time in this mode, use care to set all bits to the desired states during the single allowed write.

The PE3/ $\overline{\text{LSTRB}}$  pin is always a general purpose I/O pin in normal expanded narrow mode. Although it is possible to write the LSTRE bit in the PEAR register to “1” in this mode, the state of LSTRE is overridden and Port E bit 3 cannot be re-configured as the  $\overline{\text{LSTRB}}$  output.

It is possible to enable the pipe status signals on Port E bits 6 and 5 by setting the PIPOE bit in the PEAR register, but it would be unusual to do so in this mode. LSTRB would also be needed to fully understand system activity. Development systems where pipe status signals are monitored would typically use special expanded wide mode or occasionally special expanded narrow mode.

The PE4/ECLK pin is initially configured as ECLK output with stretch. The ECLK output function depends upon the settings of the NECLK bit in the PEAR register, the IVIS bit in the MODE register and the ESTR bit in the EBICTL register. In normal expanded narrow mode, the ECLK is available for use in external select decode logic or as a constant speed clock for use in the external application system.

The PE2/R/W pin is initially configured as a general purpose input with a pull-up but this pin can be re-configured as the  $\overline{\text{R/W}}$  bus control signal by writing “1” to the RDWE bit in the PEAR register. If the expanded narrow system includes external devices that can be written such as RAM, the RDWE bit would need to be set before any attempt to write to an external location. If there are no writable resources in the external system, PE2 can be left as a general purpose I/O pin.

#### 4.2.1.4 Emulation Expanded Wide Mode

In expanded wide modes, Ports A and B are configured as a 16-bit multiplexed address and data bus and Port E provides bus control and status signals. These signals allow external memory and peripheral devices to be interfaced to the MCU. These signals can also be used by a logic analyzer to monitor the progress of application programs.

The bus control related pins in Port E (PE7/NOACC, PE6/MODB/IPIPE1, PE5/MODA/IPIPE0, PE4/ECLK, PE3/ $\overline{\text{LSTRB}}$ / $\overline{\text{TAGLO}}$ , and PE2/ $\overline{\text{R/W}}$ ) are all configured to serve their bus control output



functions rather than general purpose I/O. Writes to the bus control enable bits in the PEAR register in special mode are restricted.

#### 4.2.1.5 Emulation Expanded Narrow Mode

Expanded narrow modes are intended to allow connection of single 8-bit external memory devices for lower cost systems that do not need the performance of a full 16-bit external data bus. Accesses to internal resources that have been mapped external (i.e. PORTA, PORTB, DDRA, DDRB, PORTE, DDRE, PEAR, PUCR, RDRIV) will be accessed with a 16-bit data bus on Ports A and B. Accesses of 16-bit external words to addresses which are normally mapped external will be broken into two separate 8-bit accesses using Port A as an 8-bit data bus. Internal operations continue to use full 16-bit data paths. They are only visible externally as 16-bit information if the IVIS bit is set to one in the MODE register.

Ports A and B are configured as multiplexed address and data output ports. During external accesses, address A15, data D15 and D7 are associated with PA7, address A0 is associated with PB0 and data D8 and D0 are associated with PA0. During internal visible accesses and accesses to internal resources that have been mapped external, address A15 and data D15 is associated with PA7 and address A0 and data D0 is associated with PB0.

The bus control related pins in Port E (PE7/NOACC, PE6/MODB/IPIPE1, PE5/MODA/IPIPE0, PE4/ECLK, PE3/LSTRB/TAGLO, and PE2/R/W) are all configured to serve their bus control output functions rather than general purpose I/O. Notice that writes to the bus control enable bits in the PEAR register in special mode are restricted.

The main difference between special modes and normal modes is that some of the bus control and system control signals cannot be written in special modes.

### 4.2.2 Special Operating Modes

There are a total of three special operating modes: Special Single-Chip, Special Test, and Special Peripheral modes. These operating modes are commonly used in factory testing and system development. Two of the special operating modes correspond to normal operating modes.

#### 4.2.2.1 Special Single-Chip Mode

When the MCU is reset in this mode, the background debug mode is enabled and active. The MCU does not fetch the reset vector and execute application code as it would in other modes. Instead, the active background mode is in control of CPU execution and BDM firmware is waiting for additional serial commands through the BKGD pin. When a serial command instructs the MCU to return to normal execution, the system will be configured as described below unless the reset states of internal control registers have been changed through background commands after the MCU was reset.

There is no external expansion bus after reset in this mode. Ports A and B are initially simple bidirectional I/O pins that are configured as high-impedance inputs with internal pull-ups disabled; however, writing to the mode select bits in the MODE register (which is allowed in special modes) can change this after reset. All of the Port E pins (except PE4/ECLK) are initially configured as general purpose high-impedance inputs with pull-ups enabled. PE4/ECLK is configured as the ECLK output in this mode.

The pins associated with Port E bits 6, 5, 3, and 2 cannot be configured for their alternate functions IPIPE1, IPIPE0,  $\overline{\text{LSTRB}}$ , and  $\text{R}/\overline{\text{W}}$  while the MCU is in single chip modes. In single chip modes, the associated control bits PIPOE, LSTRE and RDWE are reset to zero. Writing the opposite value into these bits in single chip mode does not change the operation of the associated Port E pins.

Port E, bit 4 can be configured for a free-running ECLK output by clearing NECLK=0. Typically the only use for an ECLK output while the MCU is in single chip modes would be to get a constant speed clock for use in the external application system.

#### 4.2.2.2 Special Test Mode

In expanded wide modes, Ports A and B are configured as a 16-bit multiplexed address and data bus and Port E provides bus control and status signals. In special test mode, the write protection of many control bits is lifted so that they can be thoroughly tested without needing to go through reset.

#### 4.2.2.3 Special Peripheral Mode

This mode is intended for Motorola factory testing of the MCU. In this mode, the CPU is inactive and an external (tester) bus master drives address, data and bus control signals in through Ports A, B and E. In effect, the whole MCU acts as if it was a peripheral under control of an external CPU. This allows faster testing of on-chip memory and peripherals than previous testing methods. Since the mode control register is not accessible in peripheral mode, the only way to change to another mode is to reset the MCU into a different mode. Background debugging should not be used while the MCU is in special peripheral mode as internal bus conflicts between BDM and the external master can cause improper operation of both functions.

### 4.3 Internal Visibility

Internal visibility is available when the MCU is operating in expanded wide modes or special test modes. It is not available in single-chip, peripheral or normal expanded narrow modes. Internal visibility is enabled by setting the IVIS bit in the MODE register.

If an internal access is made while the ECLK,  $\text{R}/\overline{\text{W}}$ , and  $\overline{\text{LSTRB}}$  are configured as bus control outputs and internal visibility is off (IVIS=0), ECLK will remain low for the cycle,  $\text{R}/\overline{\text{W}}$  will remain high, and address, data and the  $\overline{\text{LSTRB}}$  pins will remain at their previous state.

When internal visibility is enabled (IVIS=1), certain internal cycles will be blocked from going external. During cycles when the BDM is selected,  $\text{R}/\overline{\text{W}}$  will remain high, data will maintain its previous state, and address and  $\overline{\text{LSTRB}}$  pins will be updated with the internal value. During CPU no access cycles when the BDM is not driving,  $\text{R}/\overline{\text{W}}$  will remain high, and address, data and the  $\overline{\text{LSTRB}}$  pins will remain at their previous state.

### 4.4 Security

The device will make available a security feature preventing the unauthorized read and write of the memory contents. This feature allows:

- Protection of the contents of FLASH,
- Operation in single-chip mode,
- Operation from external memory with internal FLASH disabled.

The user must be reminded that part of the security must lie with the user's code. An extreme example would be user's code that dumps the contents of the internal program. This code would defeat the purpose of security. At the same time the user may also wish to put a back door in the user's program. An example of this is the user downloads a key through the SCI which allows access to a programming routine that updates parameters stored in FLASH. Please refer to the HCS12 Core User Guide for more information about security.

### 4.4.1 Securing the Microcontroller

Once the user has programmed the FLASH, the part can be secured by programming the security bits located in the FLASH module. These non-volatile bits will keep the part secured through resetting the part and through powering down the part.

The security byte resides in a portion of the Flash array.

Check the Flash Block Guide for more details on the security configuration.

### 4.4.2 Operation of the Secured Microcontroller

#### 4.4.2.1 Normal Single Chip Mode

This will be the most common usage of the secured part. Everything will appear the same as if the part was not secured with the exception of BDM operation. The BDM operation will be blocked.

#### 4.4.2.2 Executing from External Memory

The user may wish to execute from external space with a secured microcontroller. This is accomplished by resetting directly into expanded mode. The internal FLASH will be disabled. BDM operations will be blocked.

### 4.4.3 Unsecuring the Microcontroller

There are two methods for unsecuring the Microcontroller. If the contents of the flash are known then the microcontroller can be unsecured using the backdoor key access feature. The other unsecuring method is to fully erase the FLASH.

#### 4.4.3.1 Unsecuring the Microcontroller (backdoor key access)

In normal modes, either SINGLE CHIP or EXPANDED, the microcontroller may only be unsecured by using the backdoor key access feature. This requires knowledge of the contents of the backdoor keys, which must be written to the Flash memory space at the appropriate addresses, in the correct order. In addition, in SINGLE CHIP mode the user code stored in the Flash must have a method of receiving the backdoor key from an external stimulus. This external stimulus would typically be through one of the

on-chip serial ports. After the backdoor sequence has been correctly matched, the microcontroller will be unsecured, and all Flash commands will be enabled and the Flash security byte can be programmed to the unsecure state, if desired.

Please note that if the system goes through a reset condition prior to successful configuration of unsecured mode the system will reset back into secured mode operation.

#### 4.4.3.2 Unsecuring the Microcontroller (full FLASH erase)

In order to unsecure the microcontroller, the internal FLASH must be erased. This can be done through an external program in expanded mode.

Once the user has erased the FLASH, the part can be reset into special single chip mode. This invokes a program that verifies the erasure of the internal FLASH. Once this program completes, the user can erase and program the FLASH security bits to the unsecured state. This is generally done through the BDM, but the user could also change to expanded mode (by writing the mode bits through the BDM) and jumping to an external program (again through BDM commands). Note that if the part goes through a reset before the security bits are reprogrammed to the unsecure state, the part will be secured again.

## 4.5 Low Power Modes

There are two low power modes available on the MC9S12UF32: Stop and Wait

Please see **Table A-8** for device operating characteristics in Stop and Wait modes. Consult the CRG\_U Block Guide and the respective Block Guide for information on the module behavior in Stop and Wait Mode.

### 4.5.1 Stop

Executing the CPU STOP instruction stops all clocks and the oscillator, thus putting the chip in fully static mode. Wake up from this mode can be done via reset or external interrupts.

### 4.5.2 Wait

This mode is entered by executing the CPU WAI instruction. In this mode, the CPU will not execute instructions. The internal CPU signals (address and data bus) will be fully static. All peripherals stay active. So, for example, data can still be transferred from ATA5HC to USB via IQUE. For further power consumption, the peripherals can individually turn off their local clocks.

### 4.5.3 Run

Although this is not a low power mode, unused peripheral modules should not be enabled in order to save power.

## Section 5 Resets and Interrupts

### 5.1 Overview

Consult the Exception Processing section of the HCS12 Core User Guide for information on resets and interrupts. Both local masking and CCR masking are included as listed in **Table 5-1**. System resets can be generated through external control of the RESET pin, through the clock and reset generator module CRG\_U. Refer to the CRG\_U User Guide for detailed information on reset generation.

### 5.2 Vectors

#### 5.2.1 Vector Table

**Table 5-1** lists interrupt sources and vectors in default order of priority.

**Table 5-1 Interrupt Vector Locations**

Vector Address	Interrupt Source	CCR Mask	Local Enable	HPRIO Value to Elevate
\$FFFE, \$FFFF	Reset	None	None	–
\$FFFC, \$FFFD	Reserved	None	Reserved	–
\$FFFA, \$FFFB	COP failure reset	None	COP rate select	–
\$FFF8, \$FFF9	Unimplemented instruction trap	None	None	–
\$FFF6, \$FFF7	SWI	None	None	–
\$FFF4, \$FFF5	XIRQ	X-Bit	None	–
\$FFF2, \$FFF3	IRQ	I-Bit	INTCR (IRQEN)	\$F2
\$FFF0, \$FFF1	Real Time Interrupt	I-Bit	CRGINT (RTIE)	\$F0
\$FFEE, \$FFEF	Timer channel 0	I-Bit	TIE (C0I)	\$EE
\$FFEC, \$FFED	Timer channel 1	I-Bit	TIE (C1I)	\$EC
\$FFEA, \$FFEB	Timer channel 2	I-Bit	TIE (C2I)	\$EA
\$FFE8, \$FFE9	Timer channel 3	I-Bit	TIE (C3I)	\$E8
\$FFE6, \$FFE7	Timer channel 4	I-Bit	TIE (C4I)	\$E6
\$FFE4, \$FFE5	Timer channel 5	I-Bit	TIE (C5I)	\$E4
\$FFE2, \$FFE3	Timer channel 6	I-Bit	TIE (C6I)	\$E2
\$FFE0, \$FFE1	Timer channel 7	I-Bit	TIE (C7I)	\$E0
\$FFDE, \$FFDF	Timer overflow	I-Bit	TSCR2 (TOI)	\$DE
\$FFDC, \$FFDD	Pulse accumulator A overflow	I-Bit	PACTL (PAOVI)	\$DC
\$FFDA, \$FFDB	Pulse accumulator input edge	I-Bit	PACTL (PAI)	\$DA
\$FFD8, \$FFD9	Reserved	-	Reserved	\$D8
\$FFD6, \$FFD7	SCI	I-Bit	SCICR2 (TIE, TCIE, RIE, ILIE)	\$D6
\$FFD4, \$FFD5	USB status change	I-Bit	UIMR(USSCIE, URSCIE)	\$D4
\$FFD2, \$FFD3	USB Setup command related	I-Bit	UIMR (SETOVRIE, SETUP)	\$D2
\$FFD0, \$FFD1	USB set endpoint configuration register request	I-Bit	UCCSR(SETECRIE)	\$D0
\$FFCE, \$FFCF	USB Endpoint 0 IN	I-Bit	UEPCSR0 (TCIE)	\$CE

**System on a Chip Guide — 9S12UF32DGV1/D V01.05**

\$FFCC, \$FFCD	USB Endpoint 0 OUT	I-Bit	UEPCSR1 (TCIE)	\$CC
\$FFCA, \$FFCB	USB Endpoint 2	I-Bit	UEPCSR2 (TCIE)	\$CA
\$FFC8, \$FFC9	USB Endpoint 3	I-Bit	UEPCSR3 (TCIE)	\$C8
\$FFC6, \$FFC7	CRG PLL Lock	I-Bit	PLLCR (LOCKIE)	\$C6
\$FFC4, \$FFC5	USB Endpoint 4	I-Bit	UEPCSR4A (TCIE), UEPCSR4B (SPKTIE, TERRIE)	\$C4
\$FFC2, \$FFC3	USB Endpoint 5	I-Bit	UEPCSR5A (TCIE), UEPCSR5B (SPKTIE, TERRIE)	\$C2
\$FFC0, \$FFC1	USB Endpoint 6	I-Bit	UEPCSR6 (TCIE)	\$C0
\$FFBE, \$FFBF	USB Start of Frame	I-Bit	UIMR (SOFIE)	\$BE
\$FFBC, \$FFBD	Reserved	I-Bit	Reserved	\$BC
\$FFBA, \$FFBB	Reserved	I-Bit	Reserved	\$BA
\$FFB8, \$FFB9	FLASH	I-Bit	FCTL(CCIE, CBEIE)	\$B8
\$FFB6, \$FFB7	IQUE Channel 1 Full	I-Bit	QC1CR (Q1FIE)	\$B6
\$FFB4, \$FFB5	IQUE Channel 1 Empty	I-Bit	QC1CR (Q1EIE)	\$B4
\$FFB2, \$FFB3	IQUE Channel 1 Valid	I-Bit	QC1CR (Q1VIE)	\$B2
\$FFB0, \$FFB1	IQUE Channel 2 Full	I-Bit	QC2CR (Q2FIE)	\$B0
\$FFAE, \$FFAF	IQUE Channel 2 Empty	I-Bit	QC2CR (Q2EIE)	\$AE
\$FFAC, \$FFAD	IQUE Channel 2 Valid	I-Bit	QC2CR (Q2VIE)	\$AC
\$FFAA, \$FFAB	IQUE Channel 3 Full	I-Bit	QC3CR (Q3FIE)	\$AA
\$FFA8, \$FFA9	IQUE Channel 3 Empty	I-Bit	QC3CR (Q3EIE)	\$A8
\$FFA6, \$FFA7	IQUE Channel 3 Valid	I-Bit	QC3CR (Q3VIE)	\$A6
\$FFA4, \$FFA5	IQUE Channel 4 Full	I-Bit	QC4CR (Q4FIE)	\$A4
\$FFA2, \$FFA3	IQUE Channel 4 Empty	I-Bit	QC4CR (Q4EIE)	\$A2
\$FFA0, \$FFA1	IQUE Channel 4 Valid	I-Bit	QC4CR (Q4VIE)	\$A0
\$FF9E, \$FF9F	IQUE Channel 1/2 Double Buffer Full	I-Bit	QC12DCR (DVFIE)	\$9E
\$FF9C, \$FF9D	IQUE Channel 1/2 Double Buffer Empty	I-Bit	QC12DCR (DVEIE)	\$9C
\$FF9A, \$FF9B	IQUE Channel 1/2 Double Buffer Transfer Complete	I-Bit	QC12DCR (DVTIE)	\$9A
\$FF98, \$FF99	IQUE Channel 3/4 Double Buffer Full	I-Bit	QC34DCR (DVFIE)	\$98
\$FF96, \$FF97	IQUE Channel 3/4 Double Buffer Empty	I-Bit	QC34DCR (DVEIE)	\$96
\$FF94, \$FF95	IQUE Channel 3/4 Double Buffer Transfer Complete	I-Bit	QC34DCR (DVTIE)	\$94
\$FF92, \$FF93	Reserved	-	Reserved	\$92
\$FF90, \$FF91	Reserved	-	Reserved	\$90
\$FF8E, \$FF8F	ATA5 Host Controller	I-Bit	HCFG (IE)	\$8E
\$FF8C, \$FF8D	CF Host Controller (SFT)	I-Bit	CFSCR1	\$8C
\$FF8A, \$FF8B	CF Host Controller (IREQ)	I-Bit	CFSCR1	\$8A
\$FF88, \$FF89	MS Host Controller	I-Bit	MSIC (INTE, DTRQIE, DTCMPIE, FAEEN)	\$88
\$FF86, \$FF87	SD Host Controller	I-Bit	SDINTREN	\$86
\$FF84, \$FF85	SM Host Controller Error	I-Bit	SMIMR(INTEN)	\$84
\$FF82, \$FF83	SM Host Controller Status	I-Bit	SMIMR(INTEN)	\$82
\$FF80, \$FF81	Reserved	-	Reserved	\$80

## 5.3 Resets

Resets are a subset of the interrupts featured in **Table 5-1**. The different sources capable of generating a system reset are summarized in **Table 5-2**.

### 5.3.1 Reset Summary Table

**Table 5-2 Reset Summary**

Reset	Priority	Source	Vector
Power-on Reset	1	CRG Module	\$FFFE, \$FFFF
External Reset	1	RESET pin	\$FFFE, \$FFFF
COP Watchdog Reset	2	CRG Module	\$FFFA, \$FFFB

### 5.3.2 Effects of Reset

When a reset occurs, MCU registers and control bits are changed to known start-up states. Refer to the respective module Block Guides for register reset states. Refer to the HCS12 Core User Guides for mode dependent pin configuration of port A, B and E out of reset.

Refer to the PIM Block Guide for reset configurations of all peripheral module ports.

Refer to for location of the memories depending on the operating mode after reset.

The RAM array is not automatically initialized out of reset.

## Section 6 HCS12 Core Block Description

### 6.1 CPU12 Block Description

Consult the CPU12 Reference Manual for information about the Central Processing Unit. When the CPU12 Reference Manual refers to *cycles*, this is equivalent to Bus Clock periods. So *1 cycle* is equivalent to *1 Bus Clock period*.

### 6.2 HCS12 Background Debug Module (BDM) Block Description

Consult the HCS12 BDM Block Guide for information about the Background Debug Module. When the BDM Block Guide refers to *alternate clock*, this is equivalent to *Oscillator Clock*.

### 6.3 HCS12 Breakpoint (BKP) Block Description

Consult the HCS12 BKP Block Guide for information about the Breakpoint module.

### 6.4 HCS12 Interrupt (INT) Block Description

Consult the HCS12 INT Block Guide for information about the Interrupt module.

### 6.5 HCS12 Multiplexed External Bus Interface (MEBI) Block Description

Consult the HCS12 MEBI Block Guide for information about the Multiplexed External Bus Interface module.

### 6.6 HCS12 Module Mapping Control (MMC) Block Description

Consult the HCS12 MMC Block Guide for information about the Module Mapping Control module.

## Section 7 ATA5 Host Controller (ATA5HC) Block Description

Consult the ATA5HC Block Guide for information about the ATA5 host controller module.



## 7.1 Device-specific information

The ATA5HC is part of the IQUE bus domain.

The register spaces for the ATA5HC is located at addresses \$01C0-\$01FF.

## Section 8 Compact Flash Host Controller (CFHC) Block Description

Consult the CFHC Block Guide for information about the Compact Flash host controller module.

### 8.1 Device-specific information

The CFHC is part of the IQUE bus domain.

The register spaces for the CFHC is located at addresses \$0280-\$029F.

The module inputs  $\overline{CD1}$ ,  $\overline{CD2}$ ,  $CVCC$ ,  $\overline{SPKR}$ ,  $\overline{STSCHG}$ ,  $\overline{VS1}$ ,  $\overline{VS2}$  and the module output CRESET are not used in MC9S12UF32 (i.e. not connected to chip I/O pins) and are internally tied to constant values. User can use GPIO pins for these CF card interface if necessary.

## Section 9 Clock Reset Generator (CRG\_U) Block Description

Consult the CRG\_U Block Guide for information about the Clock and Reset Generator module.

### 9.1 Device-specific information

The CRG\_U is part of the IPBus domain.

The register space for the CRG\_U is located at addresses \$0034-\$003F.

## Section 10 Flash EEPROM 32K (FTS32K) Block Description

Consult the FTS32K Block Guide for information about the 32K Flash EEPROM module.

## 10.1 Device-specific information

The FTS32K is part of the HCS12 Bus domain.

The register spaces for the FTS32K is located at addresses \$0100-\$010F.

The memory spaces for the FTS32K is located at addresses \$8000-\$FFFF upon reset. Addresses \$4000-\$7FFF also map to the same flash array at \$8000-\$BFFF.

## Section 11 Integrated Queue Controller (IQUE) Block Description

Consult the IQUE Block Guide for information about the Integrated Queue Controller module.

### 11.1 Device-specific information

The IQUE is part of the IQUE Bus domain, with the QRAM interface in HCS12 Bus domain.

The register spaces for the IQUE is located at addresses \$0200-\$023F.

The memory spaces for the IQUE is located at addresses \$0000-\$07FF (\$0600-\$07FF is reserved) upon reset and is mappable to any 2k-byte boundary.

The Channel Request Mapping for the IQUE module on the UF32 is shown in **Table 11-1**.

**Table 11-1 Queue Channel n Request Mapping**

QnREQ	Peripheral Function	Direction (Rx/Tx)
0000	USB20D6E2F	Rx
0001	USB20D6E2F	Tx
0010	ATA5HC	Rx
0011	ATA5HC	Tx
0100	CFHC	Rx
0101	CFHC	Tx
0110	MSHC	Rx
0111	MSHC	Tx
1000	SDHC	Rx
1001	SDHC	Tx
1010	SMHC	Rx
1011	SMHC	Tx

## Section 12 Memorystick Host Controller (MSHC) Block Description

Consult the MSHC Block Guide for information about the Memorystick host controller module.

### 12.1 Device-specific information

The MSHC is part of the IQUE bus domain.

The register spaces for the MSHC is located at addresses \$02A0-\$02AF.

## Section 13 Oscillator (OSC) Block Description

Consult the OSC Block Guide for information about the Oscillator module.

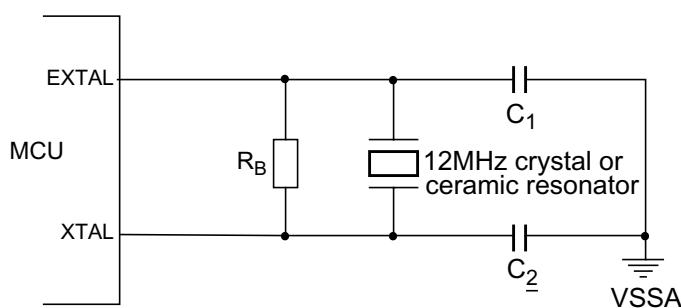
### 13.1 Device-specific information

The power of the OSC module, XTAL and EXTAL pins are supplied directly by internal voltage regulator (instead of VDDPLL/VSSPLL in the OSC Block Guide). The ground is connected to VSSA.

Colpitts oscillator and clock monitor of the OSC module are not available in this chip.

Only Pierce oscillator/external clock circuitry is allowed. The XCLKS input of the OSC module is tied internally.

**Figure 13-1 Pierce Oscillator Connections**



## Section 14 Port Integration Module (PIM) Block Description

Consult the PIM\_9UF32 Block Guide for information about the Port Integration Module.

## 14.1 Device-specific information

The PIM is part of the IPBus domain.

The MODRR register within the PIM allows for pin mapping for the 100LQFP package and for the 64 LQFP package.

## Section 15 Serial Communication Interface (SCI) Block Description

Consult the SCI Block Guide for information about the Serial Communication Interface module.

### 15.1 Device-specific information

The SCI is part of the IPBus domain.

The register spaces for the timer is located at addresses \$00C8-\$00CF.

## Section 16 Secured Digital Host Controller (SDHC) Block Description

Consult the SDHC Block Guide for information about the Secured Digital host controller module.

### 16.1 Device-specific information

The SDHC is part of the IQUE bus domain.

The register spaces for the SDHC is located at addresses \$02C0-\$02DF.

## Section 17 Smartmedia Host Controller (SMHC) Block Description

Consult the SMHC Block Guide for information about the Smartmedia host controller module.

## 17.1 Device-specific information

The SMHC is part of the IQUE bus domain.

The register spaces for the SMHC is located at addresses \$02B0-\$02BF.

## Section 18 Smartmedia RAM (SMRAM) Block Description

Consult the SMRAM Block Guide for information about the Smartmedia RAM module.

### 18.1 Device-specific information

The SMRAM is part of the HCS12 Bus domain.

The register space for the SMRAM is located at addresses \$011C-\$011F.

The memory space for the SMRAM is located at addresses \$0800-\$1FFF upon reset and is mappable to any 8k-byte boundary.

## Section 19 Timer (TIM) Block Description

Consult the TIM\_16B8C Block Guide for information about the Timer module.

### 19.1 Device-specific information

The TIM is part of the IPBus domain.

The register spaces for the timer is located at addresses \$0040-\$006F.

## Section 20 USB2.0 Controller (USB20D6E2F) Block Description

Consult the USB20D6E2F Block Guide for information about the USB2.0 Device Controller module.

### 20.1 Device-specific information

The USB 2.0 Serial Interface Engine (USB20SIE) is part of the IQUE bus domain.

The USB 2.0 Physical Layer (USB20PHY) is an analog plus high speed digital hard block.

The register spaces for the USB20D6E2F is located at addresses \$0300-\$03FF.

## Section 21 Voltage Regulator (VREG\_U) Block Description

Consult the VREG\_U Block Guide for information about the voltage regulator.

### 21.1 Device-specific information

The VREG\_U is part of the IPBus domain.

In 64-pin LQFP package version, the regulator enable pin (VREGEN) is not available externally and is connected internally to VDDR.

## Section 22 Schematic and PCB Layout Design Recommendations

This section provides recommendations for schematic and PCB layout design for implementing an USB interface with the MC9S12UF32 microcontroller unit (MCU).

### 22.1 Schematic Design with the MC9S12UF32 and a USB interface

**Figure 22-1** is a schematic of a MC9S12UF32 64-pin package minimum system implementation configured in single-chip mode and utilizing the internal voltage regulator. Same connections can be used with MC9S12UF32 100-pin package. The schematic provides a reference for the following MC9S12UF32 design items:

- Operation mode
- Clocks
- Power
- USB connector (CON1)
- Background debug connector (CON2)

To configure the MC9S12UF32 in normal single-chip mode, the MODC, MODB, and MODA pins should be configured as documented in the device overview chapter of this book.

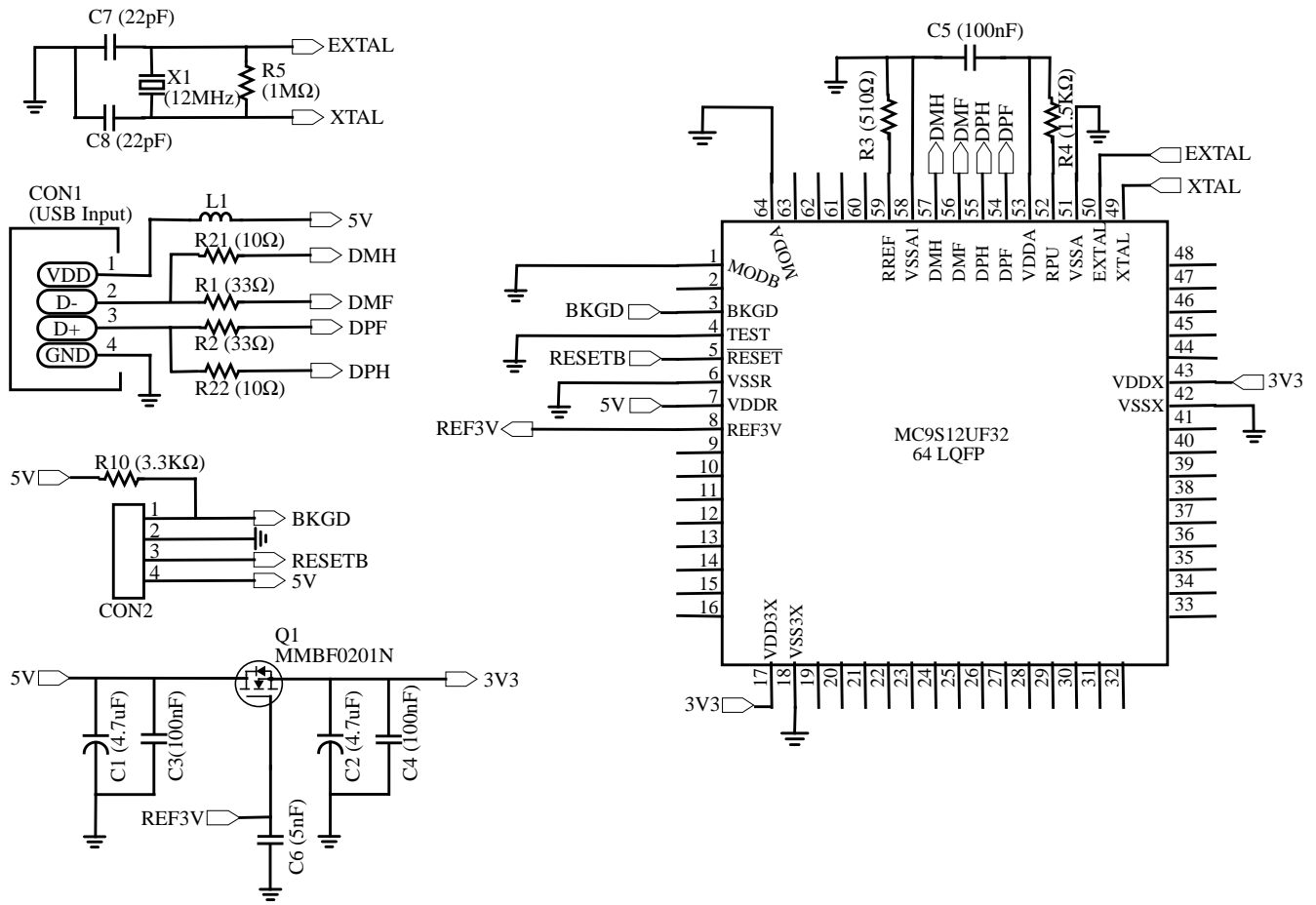


Figure 22-1 Sample schematic with 64-pin LQFP MC9S12UF32

### 22.1.1 Power Supply Notes

A 5V power is required. **Figure 22-1** shows an example of bus-powered USB device. Special considerations are needed in the choice of capacitors and other power consumptions of the board in order to fulfil the USB current requirement. Alternatively, the board can be designed for self-powered USB device.

### 22.1.2 Clocking Notes

For proper operation of USB and storage interface of the MC9S12UF32, a 12-MHz crystal is required to provide the clock input to the integrated USB PHY. The crystal must connect to the MC9S12UF32 in a Pierce configuration by the XTAL and EXTAL pins as shown.

## 22.2 PCB Design Recommendation

The PCB must be carefully laid out to ensure proper operations of the voltage regulator as well as the MCU itself. The following rules must be observed:

- Every supply pair must be decoupled by a ceramic capacitor connected as near as possible to the corresponding pins.
- Central point of the ground star should be the VSSR pin.
- Use low ohmic, low inductance connections between VSSR, VSSX, VSS3X, VSSA and VSSA1.
- Keep traces of VSSA, EXTAL and XTAL as short as possible and occupied board area for C7, C8 and X1 as small as possible.
- Do not place other signals or supplies underneath area occupied by C7, C8 and X1, and the connection area to the MCU.
- Central power input should be fed in at the VDDR/VSSR pins.

**Table 22-1 Recommended decoupling capacitor choice**

Component	Purpose	Type	Value
C1	decoupling cap	X7R/tantalum	$\geq 100\text{nF}$
C2	decoupling cap	X7R/tantalum	$\geq 100\text{nF}$
C3	decoupling cap	ceramic X7R	100nF
C4	decoupling cap	ceramic X7R	100nF
C5	decoupling cap	ceramic X7R	100nF
C6	decoupling cap	choice of C6 cap depends on the type of NMOS transistor	
Q1	NMOS transistor		
R1	DMF resistor	impedance matching resistors depend on board design	
R2	DPF resistor		
R21	DMH resistor		
R22	DMF resistor		
R3	RREF resistor	See Voltage Regulator Appendix	
R4	RPU resistor		
C7	OSC load cap	See crystal manufacturer's recommendations	
C8	OSC load cap		
R5	OSC resistor		
X1	Quartz		



## Appendix A Electrical Characteristics

### A.1 General

This introduction is intended to give an overview on several common topics like power supply, current injection etc.

#### A.1.1 Parameter Classification

The electrical parameters shown in this supplement are guaranteed by various methods. To give the customer a better understanding the following classification is used and the parameters are tagged accordingly in the tables where appropriate.

**NOTE:** *This classification will be added at a later release of the specification*

P: Those parameters are guaranteed during production testing on each individual device.

C: Those parameters are achieved by the design characterization by measuring a statistically relevant sample size across process variations. They are regularly verified by production monitors.

T: Those parameters are achieved by design characterization on a small sample size from typical devices. All values shown in the typical column are within this category.

D: Those parameters are derived mainly from simulations.

#### A.1.2 Power Supply

The MC9S12UF32 utilizes several pins to supply power to the I/O ports, the oscillator, USB physical layer interface as well as the digital core.

The VDDX, VSSX pair supplies the 3.3V/5V I/O pins of ports A, B, R, S, and U.

The VDD3X, VSS3X pair supplies the 3.3V/5V I/O pins of ports J, M, Q, P, and T.

The VDDR, VSSR pair supplies the internal voltage regulator and 5V only I/O pins.

VDD is the output supply pin for the core digital logic, generated by the on-chip regulator.

VDDA, VSSA and VSSA1 are output supply pins for the USB physical layer interface I/O pins, supplied by the on-chip regulator.

VSS3X and VSSX are connected by anti-parallel diodes for ESD protection.

VSS3X and VSSR are connected by anti-parallel diodes for ESD protection.

VSSA1 and VSSR are connected by anti-parallel diodes for ESD protection.

**NOTE:** *IDDD3 denotes the currents flowing into VDD3X  
IDDDR denotes the currents flowing into the VDDR  
IDDDX denotes the current flowing into VDDX*

## A.1.3 Pins

There are six groups of functional pins.

### A.1.3.1 3.3V/5.0V I/O pins on VDDX

Those I/O pins have a nominal level of 3.3V or 5.0V depending on the voltage supplied by VDDX. This group of pins is comprised of all port I/O pins. The internal structure of all those pins is identical, however some of the functionality may be disabled.

### A.1.3.2 3.3V/5.0V I/O pins on VDD3X

Those I/O pins have a nominal level of 3.3V or 5.0V depending on the voltage supplied by VDD3X. This group of pins is comprised of all port I/O pins. The internal structure of all those pins is identical, however some of the functionality may be disabled.

### A.1.3.3 5.0V I/O pins

Those I/O pins have a nominal level of 5.0V with power rail connecting to VDDR. This group of pins is comprised of all port I/O pins. The internal structure of all those pins is identical, however some of the functionality may be disabled.

### A.1.3.4 USB physical layer interface analog pins

Those I/O pins have specific analog function dedicated to the USB PHY interface and are supplied by internally generated 3.3V VDDA.

### A.1.3.5 Oscillator

The pins EXTAL and XTAL dedicated to the oscillator have a nominal 2.5V level. They are supplied by internal 2.5V regulator.

### A.1.3.6 TEST

This pin is used for production testing only and must be tied to VSS in normal application.

## A.1.4 Current Injection

Power supply must maintain regulation within operating specified range during instantaneous and operating maximum current conditions. If positive injection current ( $V_{in} > \text{supply rail voltage}$ ) is greater than supply current of the pin group, the injection current may flow out of supply rail and could result in external power supply going out of regulation. Insure external supply load will shunt current greater than maximum injection current. This will be the greatest risk when the MCU is not consuming power; e.g. if no system clock is present, or if clock rate is very low which would reduce overall power consumption.

## A.1.5 Absolute Maximum Ratings

Absolute maximum ratings are stress ratings only. A functional operation under or outside those maxima is not guaranteed. Stress beyond those limits may affect the reliability or cause permanent damage of the device.

This device contains circuitry protecting against damage due to high static voltage or electrical fields; however, it is advised that normal precautions be taken to avoid application of any voltages higher than maximum-rated voltages to this high-impedance circuit. Reliability of operation is enhanced if unused inputs are tied to an appropriate logic voltage level (e.g., either  $V_{SSX}$  or  $V_{DDX}$ ).

**Table A-1 Absolute Maximum Ratings**

Num	Rating	Symbol	Min	Max	Unit
1	I/O, Regulator Voltage	$V_{DD5}^1$	-0.3	6.5	V
2	Digital Logic Supply Voltage <sup>2</sup>	$V_{DD}$	-0.3	3.0	V
3	USB PHY Supply Voltage <sup>2</sup>	$V_{DDA}$	-0.3	4.0	V
4	Voltage difference VSSX to VSSR and VSSA	$\Delta V_{SSX}$	-0.3	0.3	V
5	Digital I/O Input Voltage	$V_{IN}$	-0.3	6.5	V
6	EXTAL, XTAL inputs	$V_{ILV}$	-0.3	3.0	V
7	TEST input	$V_{TEST}$	-0.3	10.0	V
8	Instantaneous Maximum Current Single pin limit for all digital I/O pins <sup>3</sup>	$I_D$	-25	+25	mA
9	Instantaneous Maximum Current Single pin limit for EXTAL, XTAL	$I_{DL}$	-25	+25	mA
10	Instantaneous Maximum Current Single pin limit for TEST <sup>4</sup>	$I_{DT}$	-0.25	0	mA
11	Operating Temperature Range (packaged)	$T_A$	0	70	°C
12	Operating Temperature Range (junction)	$T_J$	0	105	°C
13	Storage Temperature Range	$T_{stg}$	-65	155	°C

NOTES:

1. This include VDDR, VDDX and VDD3X
2. The device contains an internal voltage regulator to generate the logic and analog supply out of the regulator supply. The absolute maximum ratings apply when the device is powered from an external source.
3. All digital I/O pins are internally clamped to  $V_{SSX}$  and  $V_{DDX}$ ,  $V_{SS3X}$  and  $V_{DD3X}$ ,  $V_{SSR}$  and  $V_{DDR}$  or  $V_{SSA}$  and  $V_{DDA}$ .
4. This pin is clamped low to  $V_{SSR}$ , but not clamped high. This pin must be tied low in applications.

## A.1.6 ESD Protection and Latch-up Immunity

During the device qualification, ESD stresses were performed for the Human Body Model (HBM) and the Machine Model (MM).

A device will be defined as a failure if after exposure to ESD pulses, the device no longer meets the device specification. Complete DC parametric and functional testing is performed per the applicable device specification at room temperature followed by hot temperature unless specified otherwise in the device specification.

**Table A-2 ESD and Latch-up Test Conditions**

Model	Description	Symbol	Value	Unit
Human Body	Series Resistance	R1	1500	Ohm
	Storage Capacitance	C	100	pF
	Number of Pulse per pin positive negative	-	1 1	
Machine	Series Resistance	R1	0	Ohm
	Storage Capacitance	C	200	pF
	Number of Pulse per pin positive negative	-	1 1	
Latch-up	Minimum input voltage limit		-2.5	V
	Maximum input voltage limit		7.5	V

**Table A-3 ESD and Latch-Up Protection Characteristics**

Num	C	Rating	Symbol	Min	Max	Unit
1	C	Human Body Model (HBM)	$V_{HBM}$	2000	-	V
2	C	Machine Model (MM)	$V_{MM}$	200	-	V
3	C	Latch-up Current at $T_A = 70^\circ\text{C}$ positive negative	$I_{LAT}$	+100 -100	-	mA

### A.1.7 Operating Conditions

This chapter describes the operating conditions of the device. Unless otherwise noted those conditions apply to all the following data.

**NOTE:** *Instead of specifying ambient temperature all parameters are specified for the more meaningful silicon junction temperature. For power dissipation calculations refer to Section A.1.8 Power Dissipation and Thermal Characteristics.*

**Table A-4 Operating Conditions**

Rating	Symbol	Min	Typ	Max	Unit
Regulator Supply Voltage	V <sub>DDR</sub>	4.25	5.0	5.5	V
VDDX Supply Voltage	V <sub>DDX</sub>	3.0	5.0	5.5	V
VDD3X Supply Voltage	V <sub>DD3x</sub>	3.0	3.3	5.5 <sup>1</sup>	V
Digital Logic Supply Voltage <sup>2</sup>	V <sub>DD</sub>	2.25	2.5	2.75	V
USB PHY Supply Voltage <sup>2</sup>	V <sub>DDA</sub>	3.0	3.3	3.6	V
Voltage Difference VSSX to VSSR and VSSA	ΔV <sub>SSX</sub>	-0.1	0	0.1	V
Bus Frequency	f <sub>bus</sub>	0.5	-	30	MHz
Operating Junction Temperature Range	T <sub>J</sub>	0	-	105	°C

NOTES:

1. REF3V regulator channel cannot be used when VDD3X is not supplied by the regulated supply controlled by REF3V.
2. The device contains an internal voltage regulator to generate the logic and USB PHY supply out of the VDDR. The absolute maximum ratings apply when this regulator is disabled and the device is powered from an external source.

## A.1.8 Power Dissipation and Thermal Characteristics

Power dissipation and thermal characteristics are closely related. The user must assure that the maximum operating junction temperature is not exceeded. The average chip-junction temperature (T<sub>J</sub>) in °C can be obtained from:

$$T_J = T_A + (P_D \cdot \Theta_{JA})$$

T<sub>J</sub> = Junction Temperature, [°C]

T<sub>A</sub> = Ambient Temperature, [°C]

P<sub>D</sub> = Total Chip Power Dissipation, [W]

Θ<sub>JA</sub> = Package Thermal Resistance, [°C/W]

The total power dissipation can be calculated from:

$$P_D = P_{INT} + P_{IO}$$

P<sub>INT</sub> = Chip Internal Power Dissipation, [W]

$$P_{INT} = I_{DDR} \cdot V_{DDR}$$

$I_{DDR}$  is the current shown in **Table A-8** and not the overall current flowing into VDDR, which additionally contains the current flowing into the external loads with output high.

$$P_{IO} = \sum_i R_{DSON} \cdot I_{IO_i}^2$$

Which is the sum of all output currents on I/O ports associated with VDD3X, VDDX and VDDR.

**Table A-5 Thermal Package Characteristics<sup>1</sup>**

Num	C	Rating	Symbol	Min	Typ	Max	Unit
1	T	Thermal Resistance LQFP100, single layer PCB natural convection	$\theta_{JA}$	-	56		°C/W
2	T	Thermal Resistance LQFP100, four layer PCB natural convection	$\theta_{JA}$	-	46		°C/W
3	T	Thermal Resistance LQFP64, single layer PCB natural convection.	$\theta_{JA}$	-	64		°C/W
4	T	Thermal Resistance LQFP64, four layer PCB natural convection.	$\theta_{JA}$	-	48		°C/W

NOTES:

1. The values for thermal resistance are achieved by package simulations

## A.1.9 I/O Characteristics

This section describes the characteristics of all 3.3V/5V I/O pins. All parameters are not always applicable, e.g. not all pins feature pull up/down resistances.

Table A-6 5V I/O Characteristics

Conditions are shown in <b>Table A-4</b> unless otherwise noted							
Num	C	Rating	Symbol	Min	Typ	Max	Unit
1	P	Input High Voltage <sup>1</sup>	$V_{IH}$	$0.65 \cdot V_{DD5}$	-	-	V
	T	Input High Voltage <sup>1</sup>	$V_{IH}$	-	-	$V_{DD5} + 0.3$	V
2	P	Input Low Voltage <sup>1</sup>	$V_{IL}$	-	-	$0.35 \cdot V_{DD5}$	V
	T	Input Low Voltage <sup>1</sup>	$V_{IL}$	$V_{SS5} - 0.3$	-	-	V
3	C	Input Hysteresis	$V_{HYS}$		250		mV
4	P	Input Leakage Current (pins in high ohmic input mode) <sup>2</sup> $V_{in} = V_{DD5}$ or $V_{SS5}$	$I_{in}$	-2.5	-	2.5	$\mu A$
5	P	Output High Voltage (pins in output mode) <sup>1</sup> Partial Drive $I_{OH} = -2.5mA$ Full Drive $I_{OH} = -12.5mA$	$V_{OH}$	$V_{DD5} - 0.8$	-	-	V
6	P	Output Low Voltage (pins in output mode) Partial Drive $I_{OL} = +2.5mA$ Full Drive $I_{OL} = +12.5mA$	$V_{OL}$	-	-	0.8	V
7	P	Internal Pull Up Device Current, except PM0, PM[4-2], PU[1-0], PS2 and PS[7-6], tested at $V_{IL}$ Max.	$I_{PUL}$	-	-	-130	$\mu A$
8	P	Internal Pull Up Device Current, except PM0, PM[4-2], PU[1-0], PS2 and PS[7-6], tested at $V_{IH}$ Min.	$I_{PUH}$	-10	-	-	$\mu A$
9	P	Internal Pull Down Device Current, except PQ[0-7], PP1, PP[5-3], PM0, PM[5-2], PJ[2-0], PU[1-0], PS2 and PS[7-6], tested at $V_{IH}$ Min.	$I_{PDH}$	-	-	130	$\mu A$
10	P	Internal Pull Down Device Current, except PQ[0-7], PP1, PP[5-3], PM0, PM[5-2], PJ[2-0], PU[1-0], PS2 and PS[7-6], tested at $V_{IL}$ Max.	$I_{PDL}$	10	-	-	$\mu A$
11	P	Internal Pull Up Device Resistance for PM0, PM[4-2], PJ[2-0], PU[1-0], PS2 and PS[7-6].	$I_{PUA}$	12	15	18	k $\Omega$
12	P	Internal Pull Down Device Resistance for PM0, PM[4-2], PU[1-0], PS2 and PS[7-6].	$I_{PDA}$	14	18	22	k $\Omega$
13	P	Internal Pull Down Device Resistance for PQ[0-7], PP1, PP[5-3], PJ[2-0]	$I_{PDB}$	80	100	120	k $\Omega$
14	P	Internal Pull Down Device Resistance for PM5	$I_{PDC}$	56	70	84	k $\Omega$
15	D	Input Capacitance	$C_{in}$		6	-	pF
16	T	Injection current <sup>3</sup>					
		Single Pin limit Total Device Limit. Sum of all injected currents	$I_{ICS}$ $I_{ICP}$	-2.5 -25	-	2.5 25	mA



NOTES:

1.  $V_{DD5}$  refers to 5V supply voltage (VDDR, VDDX, VDD3X).
2. Maximum leakage current occurs at maximum operating temperature. Current decreases by approximately one-half for each 8 C to 12 C in the temperature range from 50 C to 125 C.
3. Refer to **Section A.1.4 Current Injection**, for more details

Table A-7 3.3V I/O Characteristics

Conditions are shown in <b>Table A-4</b> unless otherwise noted							
Num	C	Rating	Symbol	Min	Typ	Max	Unit
1	P	Input High Voltage <sup>1</sup>	$V_{IH}$	$0.65 \cdot V_{DD3}$	-	-	V
	T	Input High Voltage <sup>1</sup>	$V_{IH}$	-	-	$V_{DD3} + 0.3$	V
2	P	Input Low Voltage <sup>1</sup>	$V_{IL}$	-	-	$0.35 \cdot V_{DD3}$	V
	T	Input Low Voltage <sup>1</sup>	$V_{IL}$	$V_{SS3} - 0.3$	-	-	V
3	C	Input Hysteresis	$V_{HYS}$		250		mV
4	P	Input Leakage Current (pins in high ohmic input mode) <sup>2</sup> $V_{in} = V_{DD3}$ or $V_{SS3}$	$I_{in}$	-2.5	-	2.5	$\mu$ A
5	P	Output High Voltage (pins in output mode) <sup>1</sup> Partial Drive $I_{OH} = -0.75$ mA Full Drive $I_{OH} = -4.5$ mA	$V_{OH}$	$V_{DD3} - 0.4$	-	-	V
6	P	Output Low Voltage (pins in output mode) Partial Drive $I_{OL} = +0.9$ mA Full Drive $I_{OL} = +5.5$ mA	$V_{OL}$	-	-	0.4	V
7	P	Internal Pull Up Device Current, PM0, PM[4-2], PJ[2-0], PU[1-0], PS2 and PS[7-6], tested at $V_{IL}$ Max.	$I_{PUL}$	-	-	-60	$\mu$ A
8	P	Internal Pull Up Device Current, PM0, PM[4-2], PJ[2-0], PU[1-0], PS2 and PS[7-6], tested at $V_{IH}$ Min.	$I_{PUH}$	-6	-	-	$\mu$ A
9	P	Internal Pull Down Device Current, PQ[0-7], PP1, PP[5-3], PM0, PM[5-2], PJ[2-0], PU[1-0], PS2 and PS[7-6]. tested at $V_{IH}$ Min.	$I_{PDH}$	-	-	60	$\mu$ A
10	P	Internal Pull Down Device Current, PQ[0-7], PP1, PP[5-3], PM0, PM[5-2], PJ[2-0], PU[1-0], PS2 and PS[7-6], tested at $V_{IL}$ Max.	$I_{PDL}$	6	-	-	$\mu$ A
11	P	Internal Pull Up Device Resistance for PM0, PM[4-2], PJ[2-0], PU[1-0], PS2 and PS[7-6].	$I_{PUA}$	12	15	18	k $\Omega$
12	P	Internal Pull Down Device Resistance for PM0, PM[4-2], PU[1-0], PS2 and PS[7-6].	$I_{PDA}$	14	18	22	k $\Omega$
13	P	Internal Pull Down Device Resistance for PQ[0-7], PP1, PP[5-3], PJ[2-0]	$I_{PDB}$	80	100	120	k $\Omega$
14	P	Internal Pull Down Device Resistance for PM5	$I_{PDC}$	56	70	84	k $\Omega$
15	D	Input Capacitance	$C_{in}$		6	-	pF
16	T	Injection current <sup>3</sup> Single Pin limit	$I_{ICS}$	-2.5	-	2.5	mA
		Total Device Limit. Sum of all injected currents	$I_{ICP}$	-25		25	

## NOTES:

1.  $V_{DD3}$  refers to 3.3v supply voltage (VDDX, VDD3X).

2. Maximum leakage current occurs at maximum operating temperature. Current decreases by approximately one-half for each 8 C to 12 C in the temperature range from 50 C to 125 C.
3. Refer to **Section A.1.4 Current Injection**, for more details

## A.1.10 Supply Currents

This section describes the current consumption characteristics of the device as well as the conditions for the measurements.

### A.1.10.1 Measurement Conditions

All measurements are without output loads. Unless otherwise noted the currents are measured in single chip mode, internal voltage regulator enabled and at 30MHz bus frequency using a 12MHz oscillator.

### A.1.10.2 Additional Remarks

In expanded modes the currents flowing in the system are highly dependent on the load at the address, data and control signals as well as on the duty cycle of those signals. No generally applicable numbers can be given. A very good estimate is to take the single chip currents and add the currents due to the external loads.

**Table A-8 Supply Current Characteristics**

Conditions are shown in <b>Table A-4</b> unless otherwise noted							
Num	C	Rating	Symbol	Min	Typ	Max	Unit
1	P P	Run supply currents Single Chip mode, all modules enabled Single Chip mode, PHY, USB and CPU enabled	$I_{DDR}$		150 <sup>1</sup> 90 <sup>1</sup>	250	mA
2	P	Wait Supply current All modules enabled	$I_{DDW}$		140 <sup>1</sup>	230	mA
3	C C C	Stop Current 0°C 27°C 70°C	$I_{DDS}$		100 <sup>1</sup> 100 <sup>1</sup> 200 <sup>1</sup>	300 300 300	μA

NOTES:

1. These parameters are achieved by characterization on a small sample size from typical devices.

## A.2 NVM, Flash

**NOTE:** Unless otherwise noted the abbreviation NVM (Non Volatile Memory) is used for Flash.

### A.2.1 NVM timing

The time base for all NVM program or erase operations is derived from the oscillator. A minimum oscillator frequency  $f_{\text{NVMOSC}}$  is required for performing program or erase operations. The NVM modules do not have any means to monitor the frequency and will not prevent program or erase operation at frequencies above or below the specified minimum. Attempting to program or erase the NVM modules at a lower frequency a full program or erase transition is not assured.

The Flash program and erase operations are timed using a clock derived from the oscillator using the FCLKDIV register. The frequency of this clock must be set within the limits specified as  $f_{\text{NVMOP}}$ .

The minimum program and erase times shown in **Table A-9** are calculated for maximum  $f_{\text{NVMOP}}$  and maximum  $f_{\text{bus}}$ . The maximum times are calculated for minimum  $f_{\text{NVMOP}}$  and a  $f_{\text{bus}}$  of 2MHz.

#### A.2.1.1 Single Word Programming

The programming time for single word programming is dependant on the bus frequency as a well as on the frequency  $f_{\text{NVMOP}}$  and can be calculated according to the following formula.

$$t_{\text{swpgm}} = 9 \cdot \frac{1}{f_{\text{NVMOP}}} + 25 \cdot \frac{1}{f_{\text{bus}}}$$

#### A.2.1.2 Burst Programming

This applies only to the Flash where up to 32 words in a row can be programmed consecutively using burst programming by keeping the command pipeline filled. The time to program a consecutive word can be calculated as:

$$t_{\text{bwpgm}} = 4 \cdot \frac{1}{f_{\text{NVMOP}}} + 9 \cdot \frac{1}{f_{\text{bus}}}$$

The time to program a whole row is:

$$t_{\text{brpgm}} = t_{\text{swpgm}} + 31 \cdot t_{\text{bwpgm}}$$

Burst programming is more than 2 times faster than single word programming.

#### A.2.1.3 Sector Erase

Erasing a 512 byte Flash sector takes:

$$t_{\text{era}} \approx 4000 \cdot \frac{1}{f_{\text{NVMOP}}}$$

The setup time can be ignored for this operation.

#### A.2.1.4 Mass Erase

Erasing a NVM block takes:

$$t_{\text{mass}} \approx 20000 \cdot \frac{1}{f_{\text{NVMOP}}}$$

The setup time can be ignored for this operation.

#### A.2.1.5 Blank Check

The time it takes to perform a blank check on the Flash is dependant on the location of the first non-blank word starting at relative address zero. It takes one bus cycle per word to verify plus a setup of the command.

$$t_{\text{check}} \approx \text{location} \cdot t_{\text{cyc}} + 10 \cdot t_{\text{cyc}}$$

**Table A-9 NVM Timing Characteristics**

Conditions are shown in <b>Table A-4</b> unless otherwise noted							
Num	C	Rating	Symbol	Min	Typ	Max	Unit
1	D	External Oscillator Clock	$f_{\text{NVMOSC}}$	0.5		60 <sup>1</sup>	MHz
2	D	Bus frequency for Programming or Erase Operations	$f_{\text{NVMBUS}}$	1			MHz
3	D	Operating Frequency	$f_{\text{NVMOP}}$	150		200	kHz
4	P	Single Word Programming Time	$t_{\text{swpgm}}$	46 <sup>2</sup>		74.5 <sup>3</sup>	$\mu\text{s}$
5	D	Flash Burst Programming consecutive word	$t_{\text{bwpgm}}$	20.4 <sup>2</sup>		31 <sup>3</sup>	$\mu\text{s}$
6	D	Flash Burst Programming Time for 32 Words	$t_{\text{brpgm}}$	678.4 <sup>2</sup>		1035.5 <sup>3</sup>	$\mu\text{s}$
7	P	Sector Erase Time	$t_{\text{era}}$	20 <sup>4</sup>		26.7 <sup>3</sup>	ms
8	P	Mass Erase Time	$t_{\text{mass}}$	100 <sup>4</sup>		133 <sup>3</sup>	ms
9	D	Blank Check Time Flash per block	$t_{\text{check}}$	11 <sup>5</sup>		32778 <sup>6</sup>	$t_{\text{cyc}}$

**NOTES:**

1. Restrictions for oscillator in crystal mode apply!
2. Minimum Programming times are achieved under maximum NVM operating frequency  $f_{\text{NVMOP}}$  and maximum bus frequency  $f_{\text{bus}}$ .
3. Maximum Erase and Programming times are achieved under particular combinations of  $f_{\text{NVMOP}}$  and bus frequency  $f_{\text{bus}}$ . Refer to formulae in Sections **Section A.2.1.1 Single Word Programming-** **Section A.2.1.4 Mass Erase** for guidance.
4. Minimum Erase times are achieved under maximum NVM operating frequency  $f_{\text{NVMOP}}$ .
5. Minimum time, if first word in the array is not blank
6. Maximum time to complete check on an erased block

## A.2.2 NVM Reliability

The reliability of the NVM blocks is guaranteed by stress test during qualification, constant process monitors and burn-in to screen early life failures.

The program/erase cycle count on the sector is incremented every time a sector or mass erase event is executed.

**NOTE:** All values shown in **Table A-10** are target values and subject to further extensive characterization.

**Table A-10 NVM Reliability Characteristics**

Conditions are shown in <b>Table A-4</b> unless otherwise noted							
Num	C	Rating	Symbol	Min	Typ	Max	Unit
1 <sup>1</sup>	C	Data Retention at an average junction temperature of $T_{Javg} = 85^{\circ}\text{C}$	$t_{NVMRET}$	15			Years
2	C	Flash number of Program/Erase cycles	$n_{FLPE}$	10,000			Cycles

NOTES:

1. Data Retention at maximum guaranteed device operating temperature up to 1 year.





## A.3 Voltage Regulator

The on-chip voltage regulator is intended to supply the internal logic, oscillator circuits, and the USB PHY. No external DC load is allowed.

**Table A-11 Voltage Regulator Recommended Load Resistances/Capacitances**

Rating	Symbol	Min	Typ	Max	Unit
Load Capacitance between VDDA and VSSA1	$C_{LVDDA}$		100		nF
RPU resistor between VDDA and RPU	$R_{RPU}$	1425		1575	ohm
RREF resistor between RREF and VSSA1	$R_{RREF}$	504.9		515.1	ohm



## A.4 Reset, Oscillator and PHY

This section summarizes the electrical characteristics of the various startup scenarios for Oscillator and USB Physical Layer (PHY).

### A.4.1 Startup

**Table A-12** summarizes several startup characteristics explained in this section. Detailed description of the startup behavior can be found in the Clock and Reset Generator (CRG\_U) Block User Guide.

**Table A-12 Startup Characteristics**

Conditions are shown in <b>Table A-4</b> unless otherwise noted							
Num	C	Rating	Symbol	Min	Typ	Max	Unit
1	T	POR release level	$V_{PORR}$			2.07	V
2	T	POR assert level	$V_{PORA}$	0.97			V
3	D	Reset input pulse width, minimum input time	$PW_{RSTL}$	2			$t_{osc}$
4	D	Startup from Reset	$n_{RST}$	192		196	$n_{osc}$
5	D	Interrupt pulse width, $\overline{IRQ}$ edge-sensitive mode	$PW_{IRQ}$	20			ns
6	D	Wait recovery startup time	$t_{WRS}$			14	$t_{cyc}$

#### A.4.1.1 POR

The release level  $V_{PORR}$  and the assert level  $V_{PORA}$  are derived from the  $V_{DD}$  Supply. They are also valid if the device is powered externally. After releasing the POR reset, the oscillator is started.

#### A.4.1.2 SRAM Data Retention

Provided an appropriate external reset signal is applied to the MCU, preventing the CPU from executing code when  $V_{DD}$  is out of specification limits, the SRAM contents integrity is guaranteed if after the reset the PORF bit in the CRG\_U Flags Register has not been set.

#### A.4.1.3 External Reset

When external reset is asserted for a time greater than  $PW_{RSTL}$ , the CRG\_U module generates an internal reset, and the CPU starts fetching the reset vector if there was an oscillation before reset.

#### A.4.1.4 Stop Recovery

Out of STOP, the controller can be woken up by an external interrupt.

#### A.4.1.5 Wait Recovery

The oscillator is not stopped in Wait. The controller can be woken up by internal or external interrupts. After  $t_{\text{WRS}}$  the CPU starts fetching the interrupt vector.

## A.4.2 Oscillator

The device features an internal Pierce oscillator. The  $\overline{\text{XCLKS}}$  signal of the OSC module is tied internally that the Pierce oscillator/external clock mode is always selected. Pierce oscillator/external clock mode allows the input of a square wave.

**Table A-13 Oscillator Characteristics**

Conditions are shown in <b>Table A-4</b> unless otherwise noted							
Num	C	Rating	Symbol	Min	Typ	Max	Unit
1	C	Crystal oscillator range (Pierce) <sup>1</sup>	$f_{\text{OSC}}$	0.5	12	40	MHz
2	P	Startup Current	$i_{\text{OSC}}$	100			$\mu\text{A}$
3	P	External square wave input frequency	$f_{\text{EXT}}$	0.5		60	MHz
4	D	External square wave pulse width low	$t_{\text{EXTL}}$	8			ns
5	D	External square wave pulse width high	$t_{\text{EXTH}}$	8			ns
6	D	External square wave rise time	$t_{\text{EXTR}}$			1	ns
7	D	External square wave fall time	$t_{\text{EXTF}}$			1	ns
8	D	Input Capacitance (EXTAL, XTAL pins)	$C_{\text{IN}}$		7		pF
9	P	EXTAL Pin Input High Voltage	$V_{\text{IH,EXTAL}}$	$0.75 \cdot V_{\text{DD}}$			V
	T	EXTAL Pin Input High Voltage	$V_{\text{IH,EXTAL}}$			$V_{\text{DD}} + 0.3$	V
10	P	EXTAL Pin Input Low Voltage	$V_{\text{IL,EXTAL}}$			$0.25 \cdot V_{\text{DD}}$	V
	T	EXTAL Pin Input Low Voltage	$V_{\text{IL,EXTAL}}$	$V_{\text{SSA}} - 0.3$			V
11	C	EXTAL Pin Input Hysteresis	$V_{\text{HYS,EXTAL}}$		250		mV

NOTES:

1. Depending on the crystal a damping series resistor might be necessary. Also, the oscillator frequency must be 12MHz in order to have the USB interface and the storage interface to work properly.

## A.4.3 USB PHY

The oscillator provides the reference clock for the USB PHY. The 12MHz oscillator clock is used for the USB PHY to generate the 480bps USB traffic, 30MHz USB UTMI interface clock and the 60MHz internal clock. An internal circuitry checks the generated 60MHz clock against the input 12MHz oscillator clock. The generated 60MHz clock is assumed correct (locked) if there are exactly 15 clock cycles in 3 oscillator clock cycles.

For the electrical characteristics of the USB PHY, please refer to Chapter 7 “Electrical” of Universal Serial Bus Specification Revision 2.0.

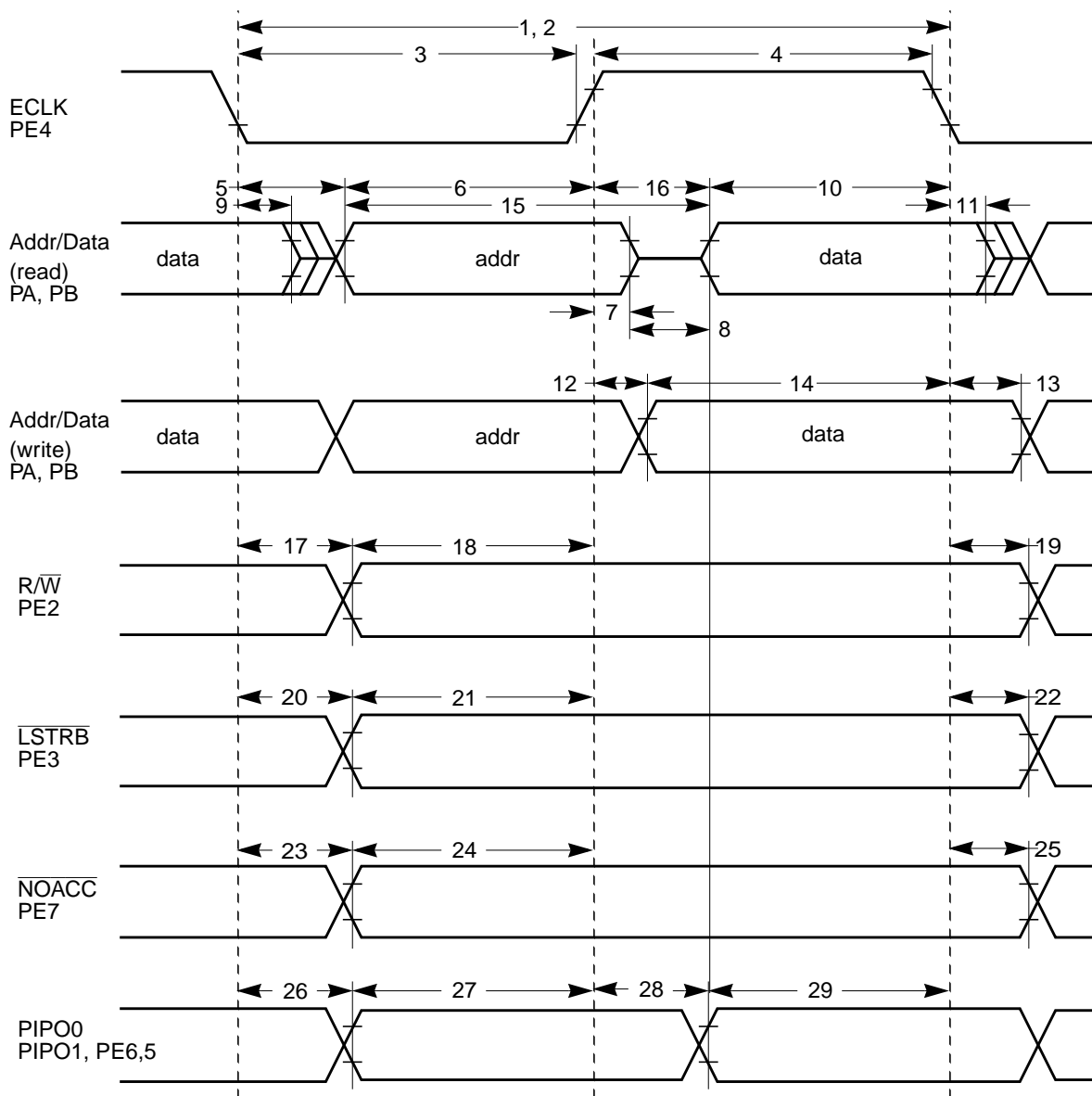


## A.5 External Bus Timing

A timing diagram of the external multiplexed-bus is illustrated in **Figure A-1** with the actual timing values shown on table **Table A-15**. All major bus signals are included in the diagram. While both a data write and data read cycle are shown, only one or the other would occur on a particular bus cycle.

### A.5.1 General Muxed Bus Timing

The expanded bus timings are highly dependent on the load conditions. The timing parameters shown assume a balanced load across all outputs.



**Figure A-1 General External Bus Timing**

**Table A-15 Expanded Bus Timing Characteristics**

Conditions are shown in <b>Table A-4</b> unless otherwise noted, $C_{LOAD} = 50pF$							
Num	C	Rating	Symbol	Min	Typ	Max	Unit
1	P	Frequency of operation (E-clock)	$f_o$	0		30.0	MHz
2	P	Cycle time	$t_{cyc}$	33			ns
3	D	Pulse width, E low	$PW_{EL}$	16			ns
4	D	Pulse width, E high <sup>1</sup>	$PW_{EH}$	16			ns
5	D	Address delay time	$t_{AD}$			5	ns
6	D	Address valid time to E rise ( $PW_{EL} - t_{AD}$ )	$t_{AV}$	11			ns
7	D	Muxed address hold time	$t_{MAH}$	2			ns
8	D	Address hold to data valid	$t_{AHDS}$	7			ns
9	D	Data hold to address	$t_{DHA}$	2			ns
10	D	Read data setup time	$t_{DSR}$	13			ns
11	D	Read data hold time	$t_{DHR}$	0			ns
12	D	Write data delay time	$t_{DDW}$			7	ns
13	D	Write data hold time	$t_{DHW}$	2			ns
14	D	Write data setup time <sup>(1)</sup> ( $PW_{EH} - t_{DDW}$ )	$t_{DSW}$	12			ns
15	D	Address access time <sup>(1)</sup> ( $t_{cyc} - t_{AD} - t_{DSR}$ )	$t_{ACCA}$	15			ns
16	D	E high access time <sup>(1)</sup> ( $PW_{EH} - t_{DSR}$ )	$t_{ACCE}$	3			ns
17	D	Read/write delay time	$t_{RWD}$			4	ns
18	D	Read/write valid time to E rise ( $PW_{EL} - t_{RWD}$ )	$t_{RWV}$	12			ns
29	D	Read/write hold time	$t_{RWH}$	2			ns
20	D	Low strobe delay time	$t_{LSD}$			4	ns
21	D	Low strobe valid time to E rise ( $PW_{EL} - t_{LSD}$ )	$t_{LSV}$	12			ns
22	D	Low strobe hold time	$t_{LSH}$	2			ns
23	D	NOACC strobe delay time	$t_{NOD}$			4	ns
24	D	NOACC valid time to E rise ( $PW_{EL} - t_{NOD}$ )	$t_{NOV}$	12			ns
25	D	NOACC hold time	$t_{NOH}$	2			ns
26	D	IPIPO[1:0] delay time	$t_{P0D}$	2		4	ns
27	D	IPIPO[1:0] valid time to E rise ( $PW_{EL} - t_{P0D}$ )	$t_{P0V}$	11			ns
28	D	IPIPO[1:0] delay time <sup>(1)</sup> ( $PW_{EH} - t_{P1V}$ )	$t_{P1D}$	2		25	ns
29	D	IPIPO[1:0] valid time to E fall	$t_{P1V}$	11			ns

## NOTES:

1. Affected by clock stretch: add  $N \times t_{cyc}$  where  $N=0,1,2$  or  $3$ , depending on the number of clock stretches.







## Appendix B Package Information

### B.1 General

This section provides the physical dimensions of the MC9S12UF32 packages.

## B.2 100-pin LQFP Package

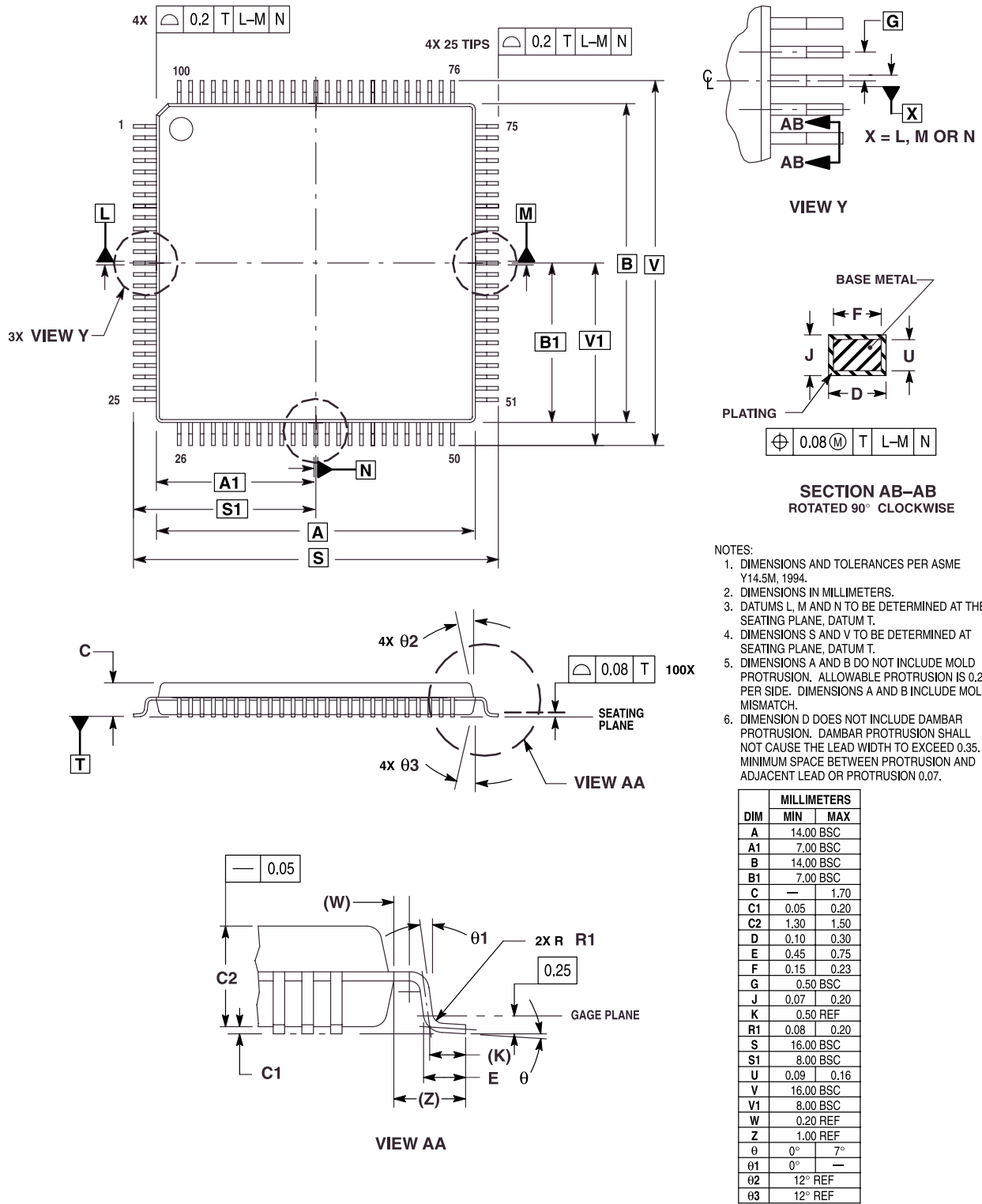


Figure B-1 100-pin LQFP mechanical dimensions (case no. 983)

### B.3 64-pin LQFP Package

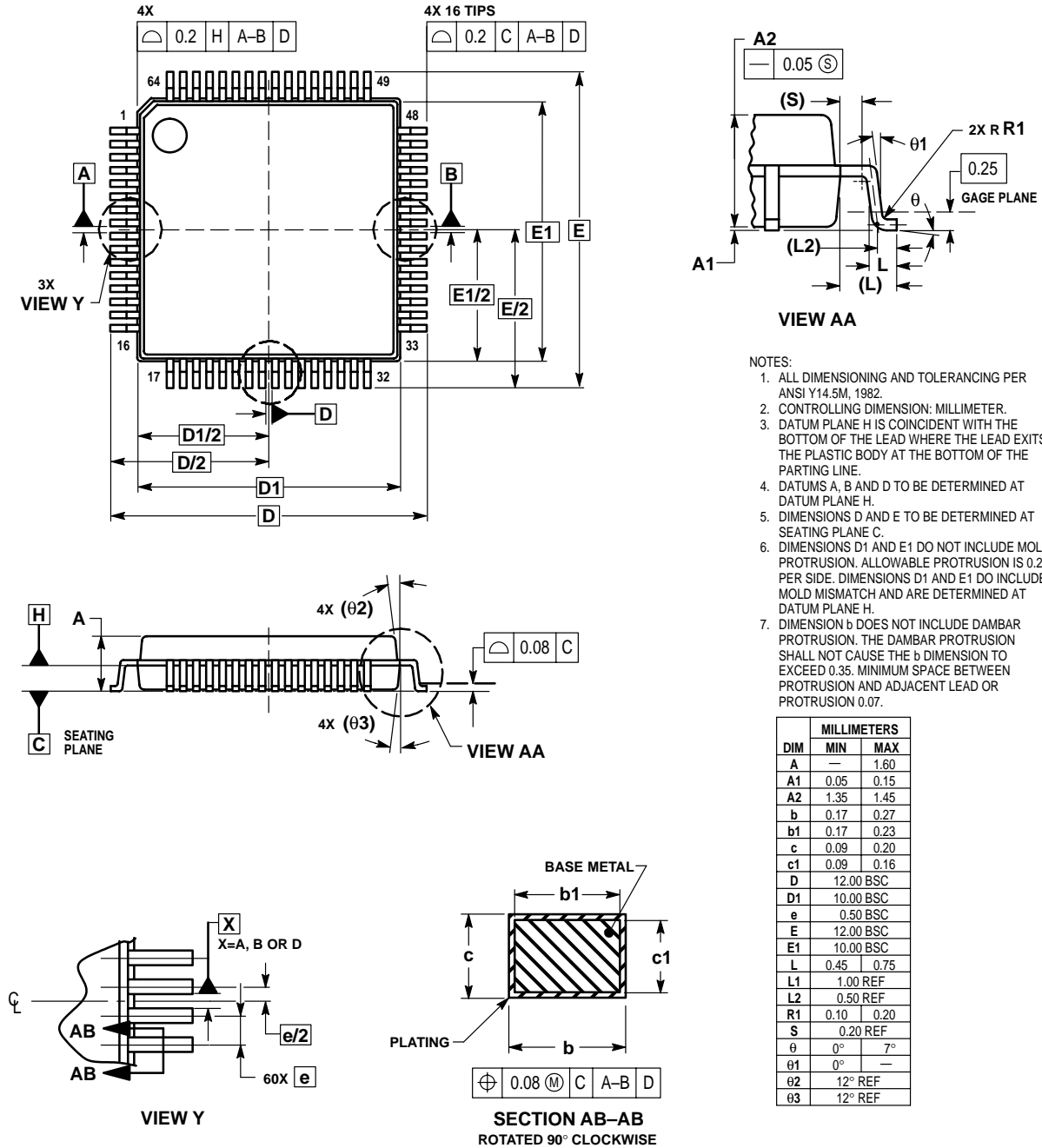


Figure B-2 64-pin LQFP mechanical dimensions (case no. 840F)



# System on a Chip Guide End Sheet

**FINAL PAGE OF  
128  
PAGES**