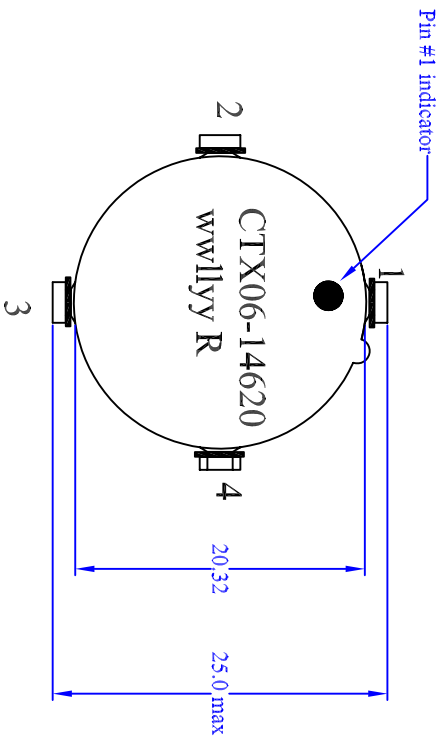
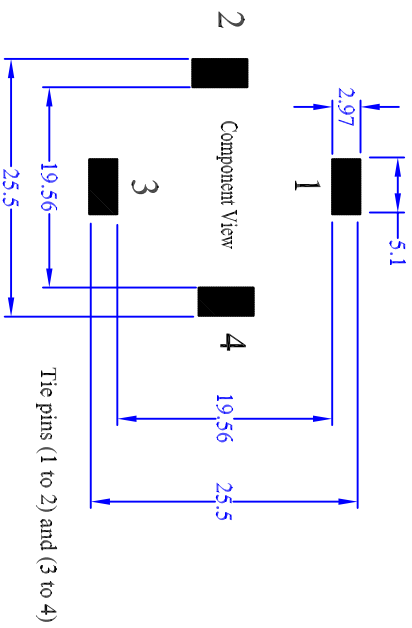


TOP VIEW



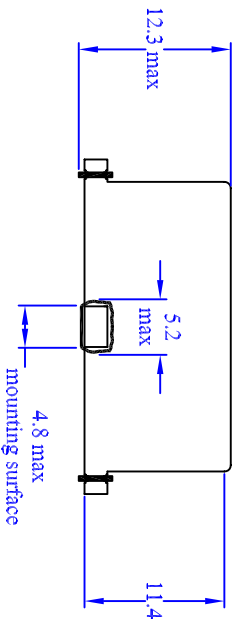
RECOMMENDED PCB LAYOUT



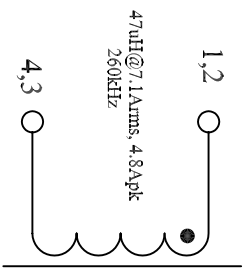
ELECTRICAL CHARACTERISTICS

OCL @ 100KHz, 0.25Vrms & 0.04dc pins (1,2 - 4,3), 35.40-59.0uH
 OCL @ 100KHz, 0.25Vrms & 4.8Ade, pins (1,2 - 4,3), 21.2uH min
 DCR @ 20°C pins (1,2 - 4,3) 0.0166 ohms maximum

FRONT VIEW



SCHEMATIC



Notes:

- 1) All Dimensions are in millimeters unless otherwise specified.
- 2) Tolerances are +/- 0.25 unless stated otherwise.
- 3) All soldering surfaces to be coplanar within 0.127 millimeters.
- 4) wwllyy = (Date Code) R= (Revision Level)
- 5) PCB tolerances are +/- 0.127 unless stated otherwise.

COILTRONICS, INCORPORATED

6000 Park of Commerce Blvd, Boca Raton, FL 33487

Inductor, 47uH, 7.1Arms, 4.8Apk, SMT, AMORPHOUS, (L48)

Size	Drawing Number:	CTX06-14620
A	Revision Level:	A
		Sheet 3 of 4