



32-bit Microprocessors

MPC5125

For high-resolution display applications

Overview

The MPC5125 is a cost and power consumption optimized, industrial networking and human-machine interface (HMI) solution.

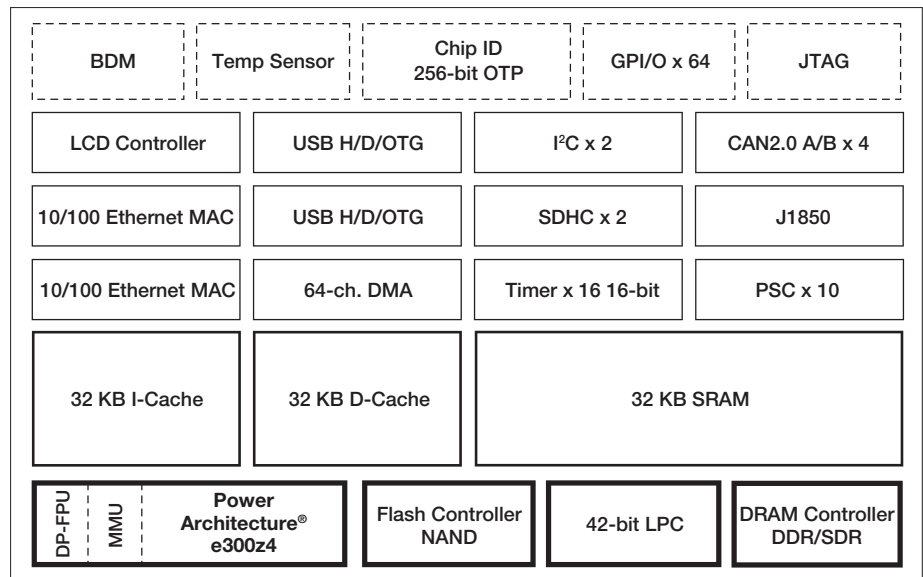
Reduce Your Development Time

- Speed development with a suite of easy-to-use tools, including Freescale MQX™ RTOS, Linux® OS, CodeWarrior IDE and a wide variety of third-party enablement solutions.
- Design for what you need today and for the future with our Tower system—a modular development platform which allows you to save time through rapid prototyping and tool re-use.

More Communication Peripherals at a Competitive Price

- For \$10.95, the MPC5125 includes a host of communication peripherals, including dual Ethernet, dual USB and multiple CAN interfaces as well as a graphical display controller, making it ideal for industrial networking, bridge and HMI applications.

MPC5125 Block Diagram



Ultra-Low Power Meets High Performance

- Get 800 MIPS of performance at less than 1 watt, giving you the flexibility to optimize your design while meeting your energy budget.

Target Applications

Factory Automation and Drivers

- **Industrial Control**
 - Programmable logic controllers
 - Fieldbus to Ethernet gateways
 - I/O controllers
 - Process controllers
 - Motor control
 - Robotics
- **Industrial Networking**
 - Gateways (routers)
 - Converters (bridges)

Building Controls

- **High-End Lighting Control**
- **Fire and Alarm Systems/Applications**
 - Supervisory controllers (PLC or network node/gateway)
 - Security panels
- **HVAC Systems/Applications**
 - Central management system
 - Supervisory controllers
- **Digital Advertisement and Sales**
 - Digital signage
 - Kiosks
 - Point-of-Sale terminals
- **Medical**
 - Patient monitor
 - Hospital bed control
 - Smart hospital gateway
 - Tele-health gateway
 - Portable or low-cost diagnostics

Features	Benefits
Display controller	Drive up to WXGA/720p resolution displays
Dual Ethernet	Implement Ethernet bridging solutions
Double precision floating point	High precision applications
Robust NAND flash controller	Lowest cost per bit flash for industrial applications
DDR controller	Low-cost DDR2 or low-power LPDDR
Serial connectivity	Large number of UART, SPI and CAN
Low power	Benefit: No heat sinks or fans required

Development Tools

TWR-MPC5125 32-bit MPU Module \$119 MPU card only

Single-Board Computer Features

- 4 GB of MLC NAND flash
- 256 MB of DDR2
- HDMI port with HDMI-DVI adaptor
- USB 2.0 OTG host/device port
- Audio interfaces, including on-board microphone and stereo out
- 10/100 Base-T Ethernet port
- CAN 2.0 A/B port
- SD card interface

Out-of-Box Experience Includes Quick Start Guide, Auto-Play Demo and Board Flashing Lab

- Board boots to auto-play graphical demo driving display over HDMI port
- Interrupt auto-play demo for boot to MQX or Linux
- Board flashing lab explains how to download demos/labs

TWR-MPC5125-KIT \$169

Dual Ethernet prototype kit includes:

- TWR-MPC5125 32-bit MPU Module
- TWR-SER Serial Module
- TWR-ELEV2 Elevator Cards

CodeWarrior Development Studio for mobileGT v9.2

- Part number: CWX-HXX-SE
- Single tool suite supports software development for future migration opportunities for both 8-bit or 32-bit and includes Processor Expert rapid application development tool

Product Selector Guide

Part Number	Temp Ranges	Package
MPC5125YVN400	-40°C to +85°C	324 TEPBGA
SPC5125YVN400	-40°C to +85°C	324 TEPBGA

Note: All prices indicated are MSRP.

Learn more: For more information, visit freescale.com/mpc5125.

Freescale, the Freescale logo, CodeWarrior and mobileGT are trademarks or registered trademarks of Freescale Semiconductor, Inc. in the U.S. and other countries. Processor Expert is a trademark of Freescale Semiconductor, Inc. The Power Architecture and Power.org word marks and the Power and Power.org logos and related marks are trademarks and service marks licensed by Power.org. All other product or service names are the property of their respective owners. © 2010 Freescale Semiconductor, Inc.

Document Number: MPC5125FS REV 2

