

Fastest 32-bit Color Display CISC Microcontroller

Highlights

- High-performance CISC core, 80 MHz, includes 32 x 32 + 64-bit MAC
- TFT/STN Display Controller, 4K-STN/16M-TFT
- 288KB RAM on-board, 1-clock access
- MLC-NAND Flash controller
- SD Card I/F
- Large number of software IPs available, including JPEG decode and animation, MP3 and TTS (Text To Speech)

Description

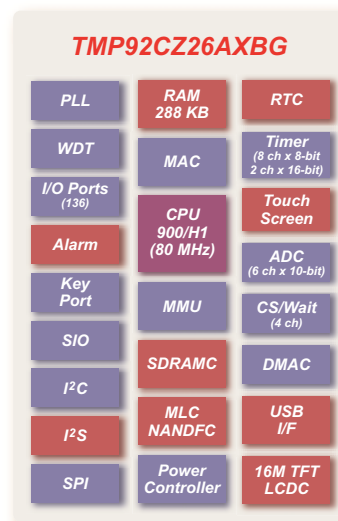
The Toshiba TMP92CZ26AXBG is a new 32-bit CISC MCU that runs at 80 MHz internally to achieve 40 MIPS computing performance with power consumption of only 80 mW. This is the best processing performance and lowest power consumption of any MCU in this product category.

Features

- CPU: 32-bit CPU
 - High-speed 900/H1 CPU
 - Minimum instruction execution 12.5 ns
 - Internal RAM: 288 KB (program, data and display)
 - Internal Boot-ROM: 8 KB, load program from USB, UART to internal RAM
 - 80 MHz : 0°C - +50°C
 - 60 MHz : 0°C - +70°C
 - Memory controller, 4 channel CS
- Timers
 - 8-bit timers: 8 channels
 - 16-bit timer: 2 channel
 - Timer for real-time clock (RTC)
 - Watch dog timer
- Serial interfaces:
 - USB (universal serial bus)
 - SIO
 - UART/synchronous mode
 - IrDA ver1.0 (115.2 kbps)
 - I²C bus mode only
 - I²S (Inter-IC Sound) interface: 2 ch
 - SPI controller : 1 ch
- LCD controller
 - Monochrome, 4, 16 and 64 gray levels, 256/4096 color for STN
 - 4096/65536/262144/16777216 color for TFT
 - PIP (Picture-In-Picture Display)
 - H/W Rotation function
- SDRAM controller: 1 channel
- Key-on wakeup (Interrupt key input)

- 10-bit A/D converter: 6 channels
- Touch screen interface
- Melody/alarm generator
- 56 interrupts
- DMAC function: 6 channels
- Input/output ports: 136 pins
- MLC-NAND Flash interface
 - Available to connect directly with NAND flash
 - Supports SLC type and MLC type
 - Data Bus: 8/16-bit; Page Size: 512/2048 Bytes
 - Built-in Rees Solomon calculation circuits
- MAC unit
 - 32 x 32 + 64-bit, 64 - 32 x 32-bit, 32 x 32 - 64-bit
- Operating voltage:
 - Internal (Core) 1.4V to 1.6V,
 - External (I/O) 3.0V to 3.6V
- Package
 - 228 pin FBGA: P-FBGA228-1515-0.80A5
 - QFP176 under planning

Diagram



www.Toshiba.com/taec

Fastest 32-bit Color Display CISC Microcontroller

TOSHIBA

Product Brief

TAEC Regional Sales Offices

NORTHWEST

San Jose, CA

TEL: (408) 526-2400

FAX: (408) 526-2410

Portland, OR

TEL: (503) 784-8879

FAX: (503) 466-9729

SOUTHWEST

Irvine, CA

TEL: (949) 623-2900

FAX: (949) 474-1330

Richardson, TX

TEL: (972) 480-0470

FAX: (972) 235-4114

CENTRAL

Buffalo Grove, IL

TEL: (847) 484-2400

FAX: (847) 541-7287

NORTHEAST

Marlboro, MA

TEL: (508) 481-0034

FAX: (508) 481-8828

Parsippany, NJ

TEL: (973) 541-4715

FAX: (973) 541-4716

SOUTHEAST

Duluth, GA

TEL: (770) 931-3363

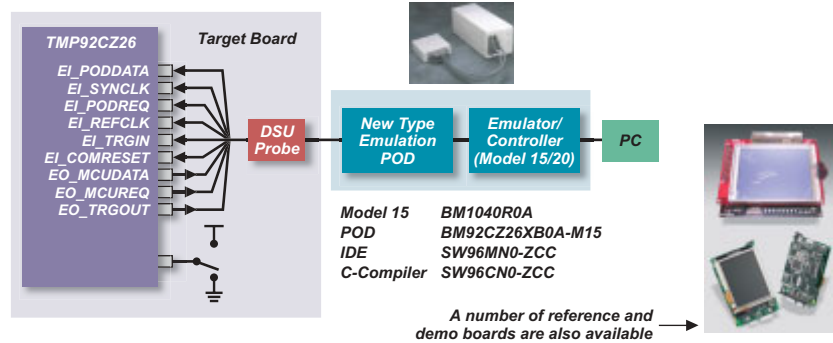
FAX: (770) 931-7602

www.Toshiba.com/taec

Software IPs

Software IP	Product Code	MCU Series	Peripheral
TCP/IP Stack	SWIP-N100	32-Bit	Ether Controller
HTTP Server	SWIP-N110	32-Bit	-
JPEG (Decode)	SWIP-G100	32-Bit	LCD Controller
USB1.1(Device)	SWIP-N201	16/32-Bit	USB Controller
FAT File System	SWIP-F100	32-Bit	Storage Driver
IrDA Protocol Stack	SWIP-N300	16-Bit	IrDA Transceiver
Voice Memo	SWIP-V200	8-Bit	D/A or PWM
Voice Compression	SWIP-V100	8-Bit	D/A or PWM
Voice Memo	SWIP-V201	16-Bit	D/A or PWM
Voice Compression	SWIP-V101	16-Bit	D/A or PWM
Security Authentication	SWIP-S100	8-Bit	-
CF Card Driver	SWIP-F220	16/32-Bit	-
SD Card Driver	SWIP-F230	16/32-Bit	Serial Controller
Graphical Interface	SWIP-G200	32-Bit	LCD Controller
Graphic Library	SWIP-G300	16/32-Bit	LCD Controller
Hand Writing Recognition	SWIP-I100	32-Bit	LCD/Touch Panel

Development Tool Support



Product Line-up

	TMP92CH21	TMP92CA25	TMP92CF29	TMP92CZ26
MAC	-	-	32 x 32 + 64	32 x 32 + 64
LCD-CTRL	16 Gray/Color 640*480	W/B 640*480	Gray/Color 640*480	Gray/Color 640*480
10-bit A/DC	4 ch	4 ch	5 ch	5 ch
ROM size	8 KB(Boot)	-	8 KB(Boot)	8 KB(Boot)
RAM size	16 KB	10 KB	144 KB	288 KB
DRAM-CTRL	SDRAM Program execute	SDRAM Program execute	SDRAM Program execute	SDRAM Program execute
UART/SIO	2 ch	-	-	-
SIO/IrDA1.0	1 ch	1 ch	1 ch	1 ch
SBI/I ² C BUS	-	1 ch	1 ch	1 ch
SPI	-	1 ch	1 ch	1 ch
MMU	512 MBmax	512 MBmax	3.1 GBmax	3.1 GBmax
Min Instruction CLK (internal)	50 nS 20 MHz/3.0V	50 nS 20 MHz/3.0V	16.6 nS 80 MHz/1.4V	16.6 nS 80 MHz/1.4V
8-bit Timer	4 ch	4 ch	8 ch	8 ch
16-bit Timer	1 ch	1 ch	2 ch	2 ch
USB-CTRL	USB 1.1	-	USB 1.1	USB 1.1
NAND CTRL	2 ch	2 ch	2 ch (MLC)	2 ch (MLC)
Package	144-pin LQFP	144-pin LQFP	176-pin LQFP	228-pin FBGA

* The information contained herein is subject to change without notice.

* The information contained herein is presented only as a guide for the applications of our products. No responsibility is assumed by TOSHIBA for any infringements of patents or other rights of the third parties which may result from its use. No license is granted by implication or otherwise under any patent or patent rights of TOSHIBA or others.

* TOSHIBA is continually working to improve the quality and reliability of its products. Nevertheless, semiconductor devices in general can malfunction or fail due to their inherent electrical sensitivity and vulnerability to physical stress. It is the responsibility of the buyer, when utilizing TOSHIBA products, to comply with the standards of safety in making a safe design for the entire system, and to avoid situation in which a malfunction or failure of such TOSHIBA products could cause loss of human life, bodily injury or damage to property. In developing your designs, please ensure that TOSHIBA products are used within specified operating ranges as set forth in the most recent TOSHIBA products specifications. Also, please keep in mind the precautions and conditions set forth in the "Handling Guide for Semiconductor Devices," or "TOSHIBA Semiconductor Reliability Handbook" etc.

* The Toshiba products listed in this document are intended for usage in general electronics applications (computer, personal equipment, office equipment, measuring equipment, industrial robotics, domestic appliances, etc.). These Toshiba products are neither intended nor warranted for usage in equipment that requires extraordinarily high quality and/or reliability or a malfunction or failure of which may cause loss of human life or bodily injury ("Unintended Usage"). Unintended Usage include atomic energy control instruments, airplane or spaceship instruments, transportation instruments, traffic signal instruments, combustion control instruments, medical instruments, all types of safety devices, etc. Unintended Usage of Toshiba products listed in this document shall be made at the customer's own risk.

* The products described in this document may include products subject to foreign exchange and foreign trade laws.

* The products contained herein may also be controlled under the U.S. Export Administration Regulations and/or subject to the approval of the U.S. Department of Commerce or U.S. Department of State prior to export. Any export or re-export, directly or indirectly in contravention of any of the applicable export laws and regulations, is hereby prohibited.

TOSHIBA

Fastest 32-bit Color Display CISC Microcontroller