



# ST7LITE1xB

## 8-BIT MCU WITH SINGLE VOLTAGE FLASH MEMORY, DATA EEPROM, ADC, 5 TIMERS, SPI

### ■ Memories

- up to 4 Kbytes single voltage extended Flash (XFlash) Program memory with read-out protection, In-Circuit Programming and In-Application programming (ICP and IAP). 10K write/erase cycles guaranteed, data retention: 20 years at 55°C.
- 256 bytes RAM
- 128 bytes data EEPROM with read-out protection. 300K write/erase cycles guaranteed, data retention: 20 years at 55°C.

### ■ Clock, Reset and Supply Management

- Enhanced reset system
- Enhanced low voltage supervisor (LVD) for main supply and an auxiliary voltage detector (AVD) with interrupt capability for implementing safe power-down procedures
- Clock sources: Internal 1% RC oscillator (on ST7FLITE15B and ST7FLITE19B), crystal/ceramic resonator or external clock
- Internal 32-MHz input clock for Auto-reload timer
- Optional x4 or x8 PLL for 4 or 8 MHz internal clock
- Five Power Saving Modes: Halt, Active-Halt, Auto Wake-up from Halt, Wait and Slow

### ■ I/O Ports

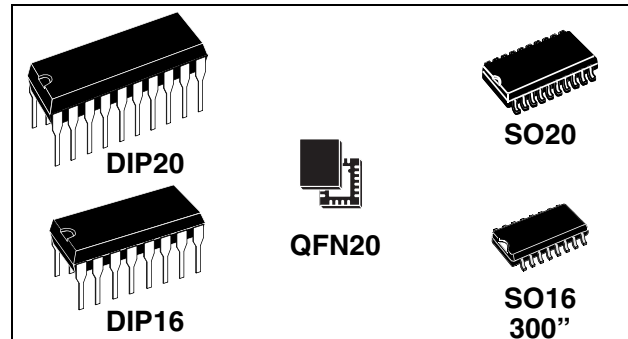
- Up to 17 multifunctional bidirectional I/O lines
- 7 high sink outputs

### ■ 5 Timers

- Configurable watchdog timer
- Two 8-bit Lite Timers with prescaler, 1 realtime base and 1 input capture
- Two 12-bit Auto-reload Timers with 4 PWM

### Device Summary

| Features               | ST7LITE10B   | ST7LITE15B  | ST7LITE19B |
|------------------------|--|---|------------|
| Program memory - bytes |  | 2K/4K   |            |
| RAM (stack) - bytes    |  | 256 (128)   |            |
| Data EEPROM - bytes    | -  | -   | 128        |
| Peripherals            | Lite Timer with Wdg, Autoreload Timer, SPI, 10-bit ADC with Op-Amp | Lite Timer with Wdg, Autoreload Timer with 32-MHz input clock, SPI, 10-bit ADC with Op-Amp, Analog Comparator |            |
| Operating Supply       | 2.7V to 5.5V   |   |            |
| CPU Frequency          | Up to 8Mhz(w/ ext OSC at 16MHz)                                    | Up to 8Mhz (w/ ext OSC at 16MHz or int 1MHz RC 1%, PLLx8/4MHz)  |            |
| Operating Temperature  | -40°C to +85°C / -40°C to +125°C                                   |   |            |
| Packages               | SO20 300", DIP20, SO16 300", DIP16                                 | SO20 300", DIP20, SO16 300", DIP16, QFN20   |            |



outputs, 1 input capture, 4 output compare and one pulse functions

### ■ Communication Interface

- SPI synchronous serial interface

### ■ Interrupt Management

- 12 interrupt vectors plus TRAP and RESET
- 15 external interrupt lines (on 4 vectors)

### ■ Analog Comparator

### ■ A/D Converter

- 7 input channels
- Fixed gain Op-amp
- 13-bit precision for 0 to 430 mV (@ 5V V<sub>DD</sub>)
- 10-bit precision for 430 mV to 5V (@ 5V V<sub>DD</sub>)

### ■ Instruction Set

- 8-bit data manipulation
- 63 basic instructions with illegal opcode detection
- 17 main addressing modes
- 8 x 8 unsigned multiply instructions

### ■ Development Tools

- Full hardware/software development package
- DM (Debug Module)

---

# Table of Contents

---

|   |           |
|---|-----------|
| <b>1 INTRODUCTION</b> .....                       | <b>4</b>  |
| <b>2 PIN DESCRIPTION</b> .....                    | <b>5</b>  |
| <b>3 REGISTER &amp; MEMORY MAP</b> .....          | <b>9</b>  |
| <b>4 FLASH PROGRAM MEMORY</b> .....               | <b>12</b> |
| 4.1 INTRODUCTION .....                            | 12        |
| 4.2 MAIN FEATURES .....                           | 12        |
| 4.3 PROGRAMMING MODES .....                       | 12        |
| 4.4 ICC INTERFACE .....                           | 13        |
| 4.5 MEMORY PROTECTION .....                       | 14        |
| 4.6 RELATED DOCUMENTATION .....                   | 14        |
| 4.7 REGISTER DESCRIPTION .....                    | 14        |
| <b>5 DATA EEPROM</b> .....                        | <b>15</b> |
| 5.1 INTRODUCTION .....                            | 15        |
| 5.2 MAIN FEATURES .....                           | 15        |
| 5.3 MEMORY ACCESS .....                           | 16        |
| 5.4 POWER SAVING MODES .....                      | 18        |
| 5.5 ACCESS ERROR HANDLING .....                   | 18        |
| 5.6 DATA EEPROM READ-OUT PROTECTION .....         | 18        |
| 5.7 REGISTER DESCRIPTION .....                    | 19        |
| <b>6 CENTRAL PROCESSING UNIT</b> .....            | <b>20</b> |
| 6.1 INTRODUCTION .....                            | 20        |
| 6.2 MAIN FEATURES .....                           | 20        |
| 6.3 CPU REGISTERS .....                           | 20        |
| <b>7 SUPPLY, RESET AND CLOCK MANAGEMENT</b> ..... | <b>23</b> |
| 7.1 INTERNAL RC OSCILLATOR ADJUSTMENT .....       | 23        |
| 7.2 PHASE LOCKED LOOP .....                       | 23        |
| 7.3 REGISTER DESCRIPTION .....                    | 25        |
| 7.4 MULTI-OSCILLATOR (MO) .....                   | 27        |
| 7.5 RESET SEQUENCE MANAGER (RSM) .....            | 28        |
| 7.6 SYSTEM INTEGRITY MANAGEMENT (SI) .....        | 31        |
| <b>8 INTERRUPTS</b> .....                         | <b>36</b> |
| 8.1 NON MASKABLE SOFTWARE INTERRUPT .....         | 36        |
| 8.2 EXTERNAL INTERRUPTS .....                     | 36        |
| 8.3 PERIPHERAL INTERRUPTS .....                   | 36        |
| <b>9 POWER SAVING MODES</b> .....                 | <b>40</b> |
| 9.1 INTRODUCTION .....                            | 40        |
| 9.2 SLOW MODE .....                               | 40        |
| 9.3 WAIT MODE .....                               | 41        |
| 9.4 HALT MODE .....                               | 42        |
| 9.5 ACTIVE-HALT MODE .....                        | 43        |
| 9.6 AUTO WAKE UP FROM HALT MODE .....             | 44        |
| <b>10 I/O PORTS</b> .....                         | <b>48</b> |
| 10.1 INTRODUCTION .....                           | 48        |
| 10.2 FUNCTIONAL DESCRIPTION .....                 | 48        |
| 10.3 I/O PORT IMPLEMENTATION .....                | 52        |

---

# Table of Contents

---

|           |  |            |
|-----------|--|------------|
| 10.4      | UNUSED I/O PINS  | 52         |
| 10.5      | LOW POWER MODES  | 52         |
| 10.6      | INTERRUPTS   | 52         |
| 10.7      | DEVICE-SPECIFIC I/O PORT CONFIGURATION                                       | 53         |
| 10.8      | MULTIPLEXED INPUT/OUTPUT PORTS   | 54         |
| <b>11</b> | <b>ON-CHIP PERIPHERALS</b>   | <b>55</b>  |
| 11.1      | WATCHDOG TIMER (WDG)   | 55         |
| 11.2      | DUAL 12-BIT AUTORELOAD TIMER 4 (AT4)   | 57         |
| 11.3      | LITE TIMER 2 (LT2)   | 79         |
| 11.4      | SERIAL PERIPHERAL INTERFACE (SPI)  | 84         |
| 11.5      | 10-BIT A/D CONVERTER (ADC)   | 96         |
| 11.6      | ANALOG COMPARATOR (CMP)  | 100        |
| <b>12</b> | <b>INSTRUCTION SET</b>   | <b>104</b> |
| 12.1      | ST7 ADDRESSING MODES   | 104        |
| 12.2      | INSTRUCTION GROUPS   | 107        |
| <b>13</b> | <b>ELECTRICAL CHARACTERISTICS</b>  | <b>110</b> |
| 13.1      | PARAMETER CONDITIONS   | 110        |
| 13.2      | ABSOLUTE MAXIMUM RATINGS   | 111        |
| 13.3      | OPERATING CONDITIONS   | 112        |
| 13.4      | SUPPLY CURRENT CHARACTERISTICS   | 121        |
| 13.5      | CLOCK AND TIMING CHARACTERISTICS   | 124        |
| 13.6      | MEMORY CHARACTERISTICS   | 126        |
| 13.7      | EMC CHARACTERISTICS  | 127        |
| 13.8      | I/O PORT PIN CHARACTERISTICS   | 129        |
| 13.9      | CONTROL PIN CHARACTERISTICS  | 135        |
| 13.10     | COMMUNICATION INTERFACE CHARACTERISTICS                                      | 137        |
| 13.11     | 10-BIT ADC CHARACTERISTICS   | 139        |
| 13.12     | ANALOG COMPARATOR CHARACTERISTICS  | 143        |
| 13.13     | PROGRAMMABLE INTERNAL VOLTAGE REFERENCE CHARACTERISTICS                      | 143        |
| 13.14     | CURRENT BIAS CHARACTERISTICS (FOR COMPARATOR AND INTERNAL VOLTAGE REFERENCE) | 143        |
| <b>14</b> | <b>PACKAGE CHARACTERISTICS</b>   | <b>144</b> |
| 14.1      | PACKAGE MECHANICAL DATA  | 144        |
| 14.2      | SOLDERING INFORMATION  | 148        |
| <b>15</b> | <b>DEVICE CONFIGURATION AND ORDERING INFORMATION</b>                         | <b>149</b> |
| 15.1      | OPTION BYTES   | 149        |
| 15.2      | DEVICE ORDERING INFORMATION  | 151        |
| 15.3      | DEVELOPMENT TOOLS  | 153        |
| 15.4      | ST7 APPLICATION NOTES  | 154        |
| <b>16</b> | <b>REVISION HISTORY</b>  | <b>157</b> |

# 1 INTRODUCTION

The ST7LITE1xB is a member of the ST7 microcontroller family. All ST7 devices are based on a common industry-standard 8-bit core, featuring an enhanced instruction set.

The ST7LITE1xB features FLASH memory with byte-by-byte In-Circuit Programming (ICP) and In-Application Programming (IAP) capability.

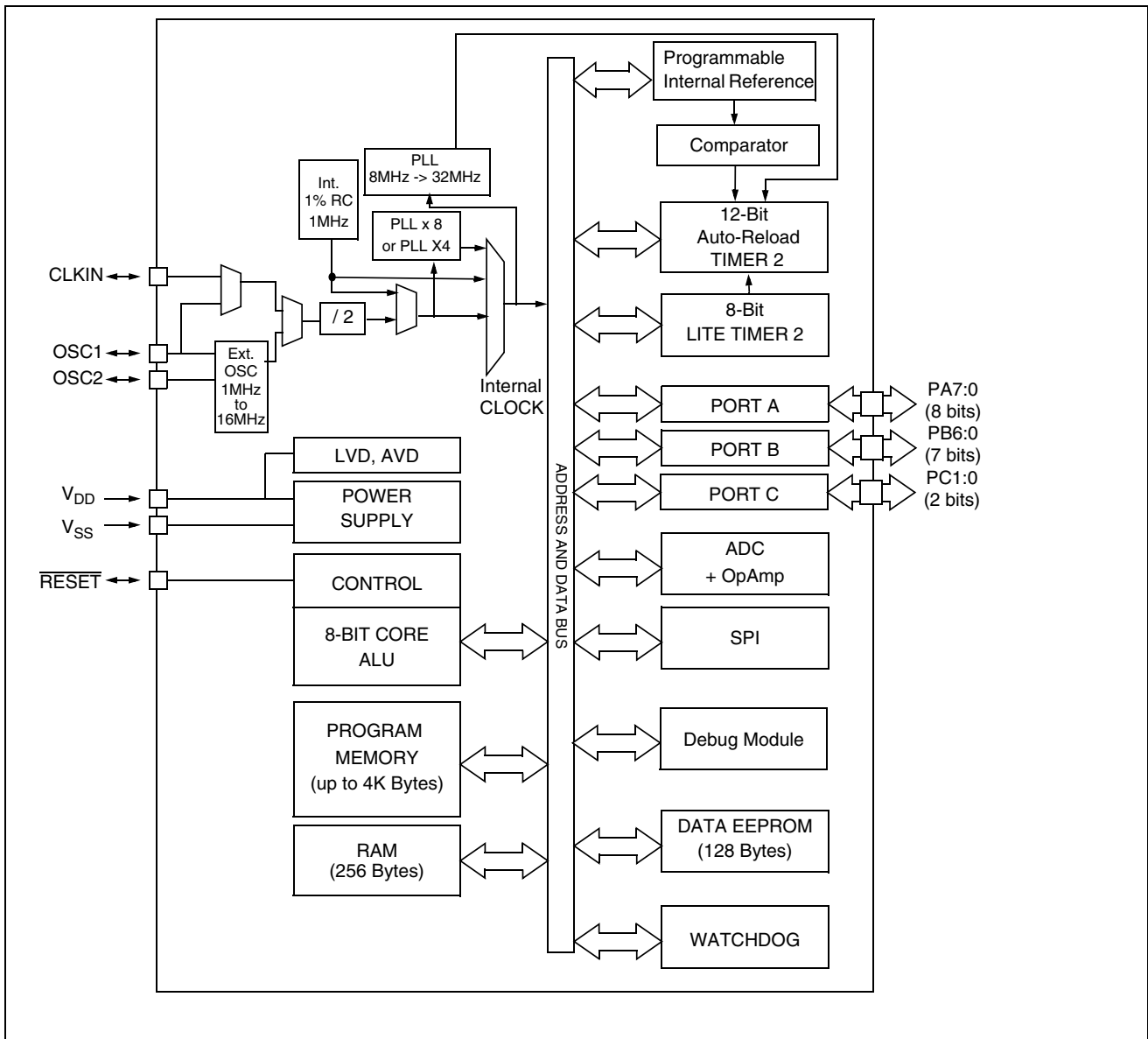
Under software control, the ST7LITE1xB device can be placed in WAIT, SLOW, or HALT mode, reducing power consumption when the application is in idle or standby state.

The enhanced instruction set and addressing modes of the ST7 offer both power and flexibility to

software developers, enabling the design of highly efficient and compact application code. In addition to standard 8-bit data management, all ST7 microcontrollers feature true bit manipulation, 8x8 unsigned multiplication and indirect addressing modes.

For easy reference, all parametric data are located in [section 13 on page 110](#). The ST7LITE1xB features an on-chip Debug Module (DM) to support In-Circuit Debugging (ICD). For a description of the DM registers, refer to the ST7 ICC Protocol Reference Manual.

**Figure 1. General Block Diagram**



## 2 PIN DESCRIPTION

Figure 2. 20-Pin SO and DIP Package Pinout

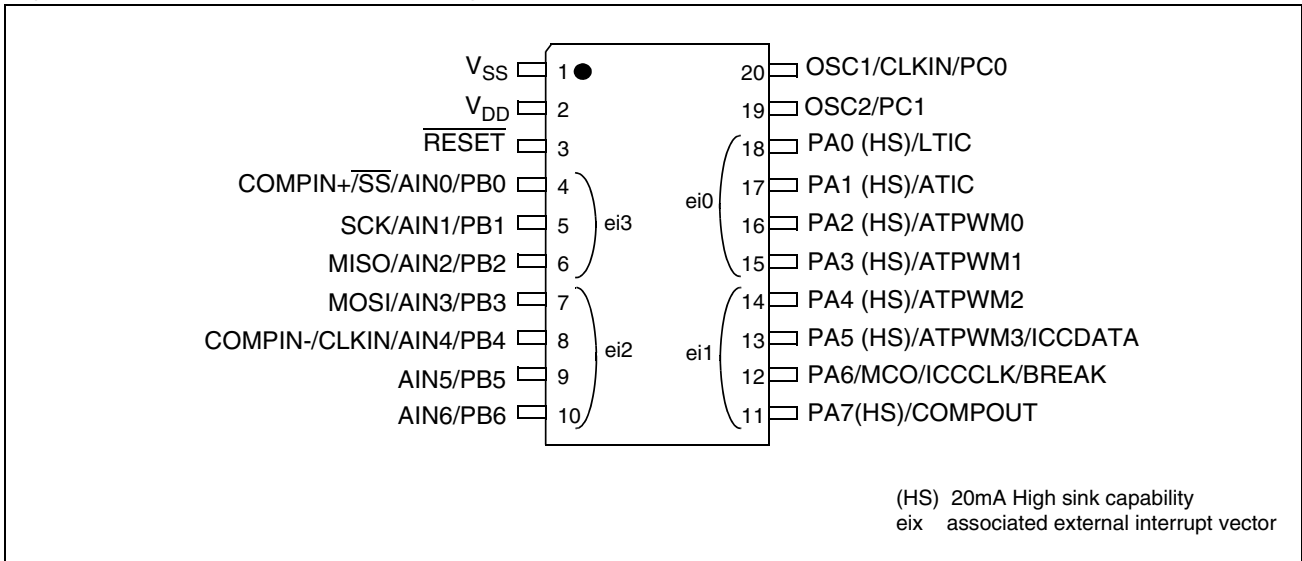
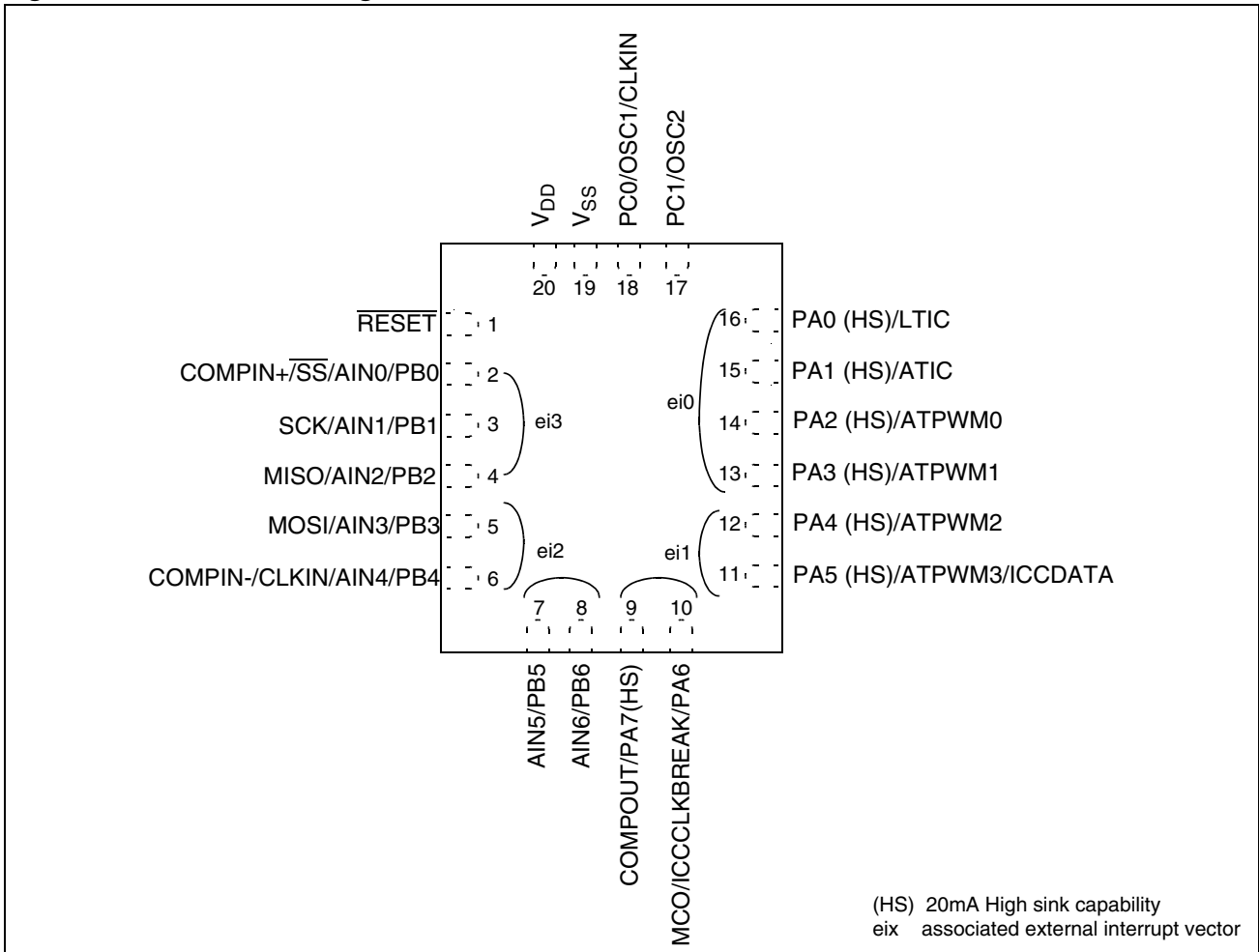
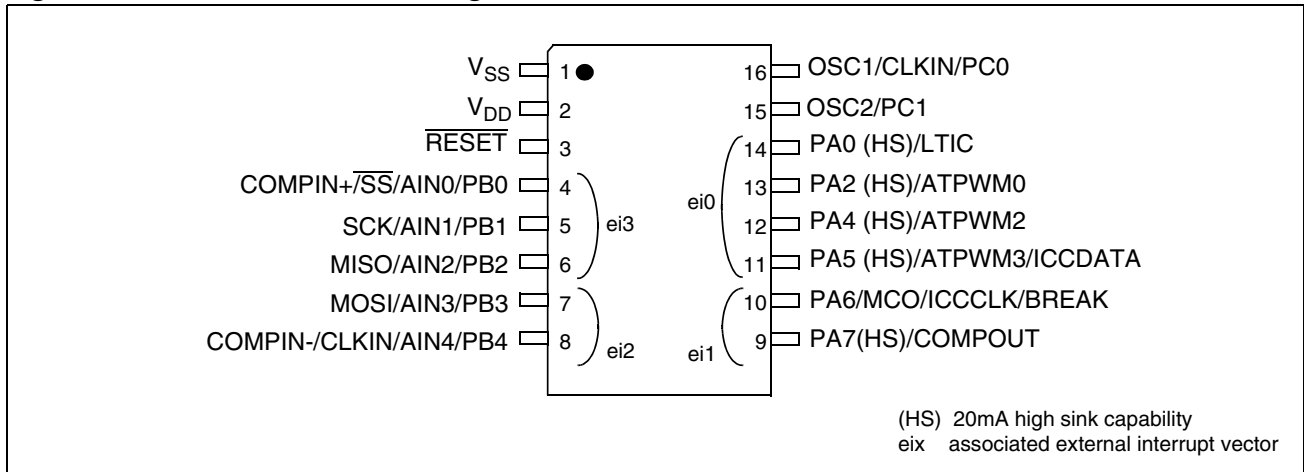


Figure 3. 20-Pin QFN Package Pinout



PIN DESCRIPTION (Cont'd)

Figure 4. 16-Pin SO and DIP Package Pinout



## PIN DESCRIPTION (Cont'd)

## Legend / Abbreviations for Table 1:

Type: I = input, O = output, S = supply

In/Output level:  $C_T = \text{CMOS } 0.3V_{DD}/0.7V_{DD}$  with input trigger

Output level: HS = 20mA high sink (on N-buffer only)

Port and control configuration:

- Input: float = floating, wpu = weak pull-up, int = interrupt, ana = analog
- Output: OD = open drain, PP = push-pull

The RESET configuration of each pin is shown in bold which is valid as long as the device is in reset state.

Table 1. Device Pin Description

| Pin No.    |       |            | Pin Name               | Type | Level |        | Port / Control |     |     |     |        |    | Main Function (after reset) | Alternate Function   |
|------------|-------|------------|------------------------|------|-------|--------|----------------|-----|-----|-----|--------|----|-----------------------------|--|
| SO20/DIP20 | QFN20 | SO16/DIP16 |                        |      | Input | Output | Input          |     |     |     | Output |    |                             |  |
|            |       |            |                        |      |       |        | float          | wpu | int | ana | OD     | PP |                             |  |
| 1          | 19    | 1          | $V_{SS}^{1)}$          | S    |       |        |                |     |     |     |        |    |                             | Ground   |
| 2          | 20    | 2          | $V_{DD}^{1)}$          | S    |       |        |                |     |     |     |        |    |                             | Main power supply  |
| 3          | 1     | 3          | <b>RESET</b>           | I/O  | $C_T$ |        |                | X   |     |     | X      |    |                             | Top priority non maskable interrupt (active low)   |
| 4          | 2     | 4          | PB0/COMPIN+/AIN0/SS    | I/O  | $C_T$ | X      | ei3            |     |     | X   | X      | X  | <b>Port B0</b>              | ADC Analog Input 0 <sup>2)</sup> or SPI Slave Select (active low) or Analog Comparator Input<br><b>Caution:</b> No negative current injection allowed on this pin. |
| 5          | 3     | 5          | PB1/AIN1/SCK           | I/O  | $C_T$ | X      |                |     |     | X   | X      | X  | <b>Port B1</b>              | ADC Analog Input 1 <sup>2)</sup> or SPI Serial Clock   |
| 6          | 4     | 6          | PB2/AIN2/MISO          | I/O  | $C_T$ | X      |                |     |     | X   | X      | X  | <b>Port B2</b>              | ADC Analog Input 2 <sup>2)</sup> or SPI Master In/ Slave Out Data  |
| 7          | 5     | 7          | PB3/AIN3/MOSI          | I/O  | $C_T$ | X      | ei2            |     |     | X   | X      | X  | <b>Port B3</b>              | ADC Analog Input 3 <sup>2)</sup> or SPI Master Out / Slave In Data   |
| 8          | 6     | 8          | PB4/AIN4/CLKIN/COMPIN- | I/O  | $C_T$ | X      |                |     |     | X   | X      | X  | <b>Port B4</b>              | ADC Analog Input 4 <sup>2)</sup> or External clock input or Analog Comparator External Reference Input   |
| 9          | 7     | -          | PB5/AIN5               | I/O  | $C_T$ | X      |                |     |     | X   | X      | X  | <b>Port B5</b>              | ADC Analog Input 5 <sup>2)</sup>   |
| 10         | 8     | -          | PB6/AIN6               | I/O  | $C_T$ | X      |                |     |     | X   | X      | X  | <b>Port B6</b>              | ADC Analog Input 6 <sup>2)</sup>   |
| 11         | 9     | 9          | PA7/COMPOUT            | I/O  | $C_T$ | HS     | X              | ei1 |     | X   | X      |    | <b>Port A7</b>              | Analog Comparator Output   |

| Pin No.     |       |            | Pin Name                  | Type | Level          |        | Port / Control |     |     |     |        |    | Main Function (after reset) | Alternate Function  |
|-------------|-------|------------|---------------------------|------|----------------|--------|----------------|-----|-----|-----|--------|----|-----------------------------|---|
| SO20/DIP120 | QFN20 | SO16/DIP16 |                           |      | Input          | Output | Input          |     |     |     | Output |    |                             |   |
|             |       |            |                           |      |                |        | float          | wpu | int | ana | OD     | PP |                             |   |
| 12          | 10    | 10         | PA6 /MCO/<br>ICCCLK/BREAK | I/O  | C <sub>T</sub> | X      |                | ei1 |     |     | X      | X  | <b>Port A6</b>              | Main Clock Output or In Circuit Communication Clock or External BREAK<br><b>Caution:</b> During normal operation this pin must be pulled- up, internally or externally (external pull-up of 10k mandatory in noisy environment). This is to avoid entering ICC mode unexpectedly during a reset. In the application, even if the pin is configured as output, any reset will put it back in input pull-up |
| 13          | 11    | 11         | PA5 /ICCDATA/<br>ATPWM3   | I/O  | C <sub>T</sub> | HS     | X              | ei1 |     |     | X      | X  | <b>Port A5</b>              | In Circuit Communication Data or Auto-Reload Timer PWM3   |
| 14          | 12    | 12         | PA4/ATPWM2                | I/O  | C <sub>T</sub> | HS     | X              |     |     |     | X      | X  | <b>Port A4</b>              | Auto-Reload Timer PWM2  |
| 15          | 13    | -          | PA3/ATPWM1                | I/O  | C <sub>T</sub> | HS     | X              | ei0 |     |     | X      | X  | <b>Port A3</b>              | Auto-Reload Timer PWM1  |
| 16          | 14    | 13         | PA2/ATPWM0                | I/O  | C <sub>T</sub> | HS     | X              |     |     |     | X      | X  | <b>Port A2</b>              | Auto-Reload Timer PWM0  |
| 17          | 15    | -          | PA1/ATIC                  | I/O  | C <sub>T</sub> | HS     | X              |     |     |     | X      | X  | <b>Port A1</b>              | Auto-Reload Timer Input Capture   |
| 18          | 16    | 14         | PA0/LTIC                  | I/O  | C <sub>T</sub> | HS     | X              |     |     |     | X      | X  | <b>Port A0</b>              | Lite Timer Input Capture  |
| 19          | 17    | 15         | OSC2/PC1                  | I/O  |                |        | X              |     |     |     |        | X  | <b>Port C1<sup>3)</sup></b> | Resonator oscillator inverter output  |
| 20          | 18    | 16         | OSC1/CLKIN/PC0            | I/O  |                |        | X              |     |     |     |        | X  | <b>Port C0<sup>3)</sup></b> | Resonator oscillator inverter input or External clock input   |

**Notes:**

1. It is mandatory to connect all available V<sub>DD</sub> and V<sub>DDA</sub> pins to the supply voltage and all V<sub>SS</sub> and V<sub>SSA</sub> pins to ground.
2. When the pin is configured as analog input, positive and negative current injections are not allowed.
3. PCOR not implemented but p-transistor always active in output mode (refer to [Figure 32 on page 50](#)).



### 3 REGISTER & MEMORY MAP

As shown in [Figure 5](#), the MCU is capable of addressing 64K bytes of memories and I/O registers.

The available memory locations consist of 128 bytes of register locations, 256 bytes of RAM, 128 bytes of data EEPROM and up to 4 Kbytes of flash program memory. The RAM space includes up to 128 bytes for the stack from 180h to 1FFh.

The highest address bytes contain the user reset and interrupt vectors.

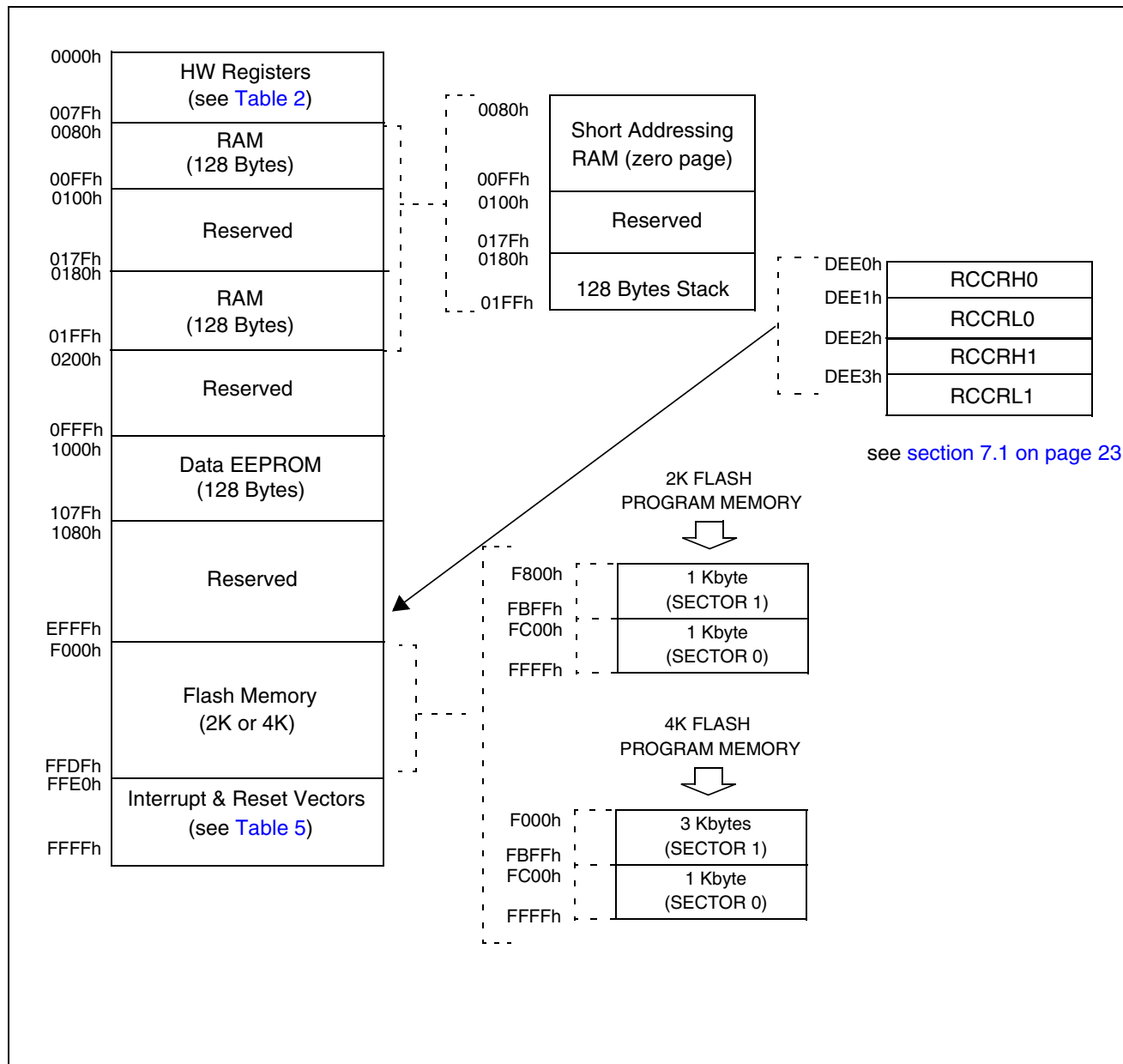
The Flash memory contains two sectors (see [Figure 5](#)) mapped in the upper part of the ST7 ad-

ressing space so the reset and interrupt vectors are located in Sector 0 (F000h-FFFFh).

The size of Flash Sector 0 and other device options are configurable by Option byte (refer to [section 15.1 on page 149](#)).

**IMPORTANT:** Memory locations marked as “Reserved” must never be accessed. Accessing a reserved area can have unpredictable effects on the device.

**Figure 5. Memory Map**



**Table 2. Hardware Register Map**

| Address  | Block                              | Register Label   | Register Name   | Reset Status   | Remarks  |
|--|------------------------------------|--|---|--|--|
| 0000h<br>0001h<br>0002h  | Port A                             | PADR<br>PADDR<br>PAOR  | Port A Data Register<br>Port A Data Direction Register<br>Port A Option Register  | FFh <sup>1)</sup><br>00h<br>40h  | R/W<br>R/W<br>R/W  |
| 0003h<br>0004h<br>0005h  | Port B                             | PBDR<br>PBDDR<br>PBOR  | Port B Data Register<br>Port B Data Direction Register<br>Port B Option Register  | FFh <sup>1)</sup><br>00h<br>00h  | R/W<br>R/W<br>R/W <sup>2)</sup>  |
| 0006h<br>0007h   | Port C                             | PCDR<br>PCDDR  | Port C Data Register<br>Port C Data Direction Register  | 0xh<br>00h   | R/W<br>R/W   |
| 0008h<br>0009h<br>000Ah<br>000Bh<br>000Ch  | LITE<br>TIMER 2                    | LTCSR2<br>LTARR<br>LTCNTR<br>LTCSR1<br>LTICR   | Lite Timer Control/Status Register 2<br>Lite Timer Auto-reload Register<br>Lite Timer Counter Register<br>Lite Timer Control/Status Register 1<br>Lite Timer Input Capture Register   | 00h<br>00h<br>00h<br>0X00 0000b<br>00h   | R/W<br>R/W<br>Read Only<br>R/W<br>Read Only  |
| 000Dh<br>000Eh<br>000Fh<br>0010h<br>0011h<br>0012h<br>0013h<br>0014h<br>0015h<br>0016h<br>0017h<br>0018h<br>0019h<br>001Ah<br>001Bh<br>001Ch<br>001Dh<br>001Eh<br>001Fh<br>0020h<br>0021h<br>0022h<br>0023h<br>0024h<br>0025h<br>0026h | AUTO-<br>RELOAD<br>TIMER 2         | ATCSR<br>CNTRH<br>CNTRL<br>ATRH<br>ATRL<br>PWMCR<br>PWM0CSR<br>PWM1CSR<br>PWM2CSR<br>PWM3CSR<br>DCR0H<br>DCR0L<br>DCR1H<br>DCR1L<br>DCR2H<br>DCR2L<br>DCR3H<br>DCR3L<br>ATICRH<br>ATICRL<br>ATCSR2<br>BREAKCR<br>ATR2H<br>ATR2L<br>DTGR<br>BREAKEN | Timer Control/Status Register<br>Counter Register High<br>Counter Register Low<br>Auto-Reload Register High<br>Auto-Reload Register Low<br>PWM Output Control Register<br>PWM 0 Control/Status Register<br>PWM 1 Control/Status Register<br>PWM 2 Control/Status Register<br>PWM 3 Control/Status Register<br>PWM 0 Duty Cycle Register High<br>PWM 0 Duty Cycle Register Low<br>PWM 1 Duty Cycle Register High<br>PWM 1 Duty Cycle Register Low<br>PWM 2 Duty Cycle Register High<br>PWM 2 Duty Cycle Register Low<br>PWM 3 Duty Cycle Register High<br>PWM 3 Duty Cycle Register Low<br>Input Capture Register High<br>Input Capture Register Low<br>Timer Control/Status Register 2<br>Break Control Register<br>Auto-Reload Register 2 High<br>Auto-Reload Register 2 Low<br>Dead Time Generation Register<br>Break Enable Register | 0X00 0000b<br>00h<br>00h<br>00h<br>00h<br>00h<br>00h<br>00h<br>00h<br>00h<br>00h<br>00h<br>00h<br>00h<br>00h<br>00h<br>00h<br>00h<br>00h<br>00h<br>03h<br>00h<br>00h<br>00h<br>00h<br>00h<br>03h | R/W<br>Read Only<br>Read Only<br>R/W<br>R/W<br>R/W<br>R/W<br>R/W<br>R/W<br>R/W<br>R/W<br>R/W<br>R/W<br>R/W<br>R/W<br>R/W<br>R/W<br>R/W<br>Read Only<br>Read Only<br>R/W<br>R/W<br>R/W<br>R/W<br>R/W<br>R/W |
| 0027h to<br>002Bh  | Reserved area (5 bytes)            |  |   |  |  |
| 002Ch  | Comparator<br>Voltage<br>Reference | VREFCR   | Internal Voltage Reference Control Register   | 00h  | R/W  |
| 002Dh  | Comparator                         | CMPCR  | Comparator and Internal Reference Control Register  | 00h  | R/W  |
| 002Eh  | WDG                                | WDGCR  | Watchdog Control Register   | 7Fh  | R/W  |

| Address   | Block                    | Register Label  | Register Name  | Reset Status                                  | Remarks                                       |
|---|--------------------------|---|--|---|---|
| 0002Fh  | FLASH                    | FCSR  | Flash Control/Status Register  | 00h   | R/W   |
| 00030h  | EEPROM                   | EECSR   | Data EEPROM Control/Status Register  | 00h   | R/W   |
| 0031h<br>0032h<br>0033h                                     | SPI                      | SPIDR<br>SPICR<br>SPICSR                                      | SPI Data I/O Register<br>SPI Control Register<br>SPI Control Status Register   | xxh<br>0xh<br>00h                             | R/W<br>R/W<br>R/W                             |
| 0034h<br>0035h<br>0036h                                     | ADC                      | ADCCSR<br>ADCDRH<br>ADCDRL                                    | A/D Control Status Register<br>A/D Data Register High<br>A/D Amplifier Control/Data Low Register   | 00h<br>xxh<br>0xh                             | R/W<br>Read Only<br>R/W                       |
| 0037h   | ITC                      | EICR  | External Interrupt Control Register  | 00h   | R/W   |
| 0038h   | MCC                      | MCCSR   | Main Clock Control/Status Register   | 00h   | R/W   |
| 0039h<br>003Ah  | Clock and Reset          | RCCR<br>SICSR   | RC oscillator Control Register<br>System Integrity Control/Status Register   | FFh<br>0110 0xx0b                             | R/W<br>R/W                                    |
| 003Bh   | PLL clock select         | PLLST   | PLL test register  | 00h   | R/W   |
| 003Ch   | ITC                      | EISR  | External Interrupt Selection Register  | 0Ch   | R/W   |
| 003Dh to 0048h  | Reserved area (12 bytes) |   |  |   |   |
| 0049h<br>004Ah  | AWU                      | AWUPR<br>AWUCSR   | AWU Prescaler Register<br>AWU Control/Status Register  | FFh<br>00h                                    | R/W<br>R/W                                    |
| 004Bh<br>004Ch<br>004Dh<br>004Eh<br>004Fh<br>0050h<br>0051h | DM <sup>3)</sup>         | DMCR<br>DMSR<br>DMBK1H<br>DMBK1L<br>DMBK2H<br>DMBK2L<br>DMCR2 | DM Control Register<br>DM Status Register<br>DM Breakpoint Register 1 High<br>DM Breakpoint Register 1 Low<br>DM Breakpoint Register 2 High<br>DM Breakpoint Register 2 Low<br>DM Control Register 2 | 00h<br>00h<br>00h<br>00h<br>00h<br>00h<br>00h | R/W<br>R/W<br>R/W<br>R/W<br>R/W<br>R/W<br>R/W |
| 0052h to 007Fh  | Reserved area (46 bytes) |   |  |   |   |

**Legend:** x=undefined, R/W=read/write

**Notes:**

1. The contents of the I/O port DR registers are readable only in output configuration. In input configuration, the values of the I/O pins are returned instead of the DR register contents.
2. The bits associated with unavailable pins must always keep their reset value.
3. For a description of the Debug Module registers, see ICC protocol reference manual.

## 4 FLASH PROGRAM MEMORY

### 4.1 Introduction

The ST7 single voltage extended Flash (XFlash) is a non-volatile memory that can be electrically erased and programmed either on a byte-by-byte basis or up to 32 bytes in parallel.

The XFlash devices can be programmed off-board (plugged in a programming tool) or on-board using In-Circuit Programming or In-Application Programming.

The array matrix organisation allows each sector to be erased and reprogrammed without affecting other sectors.

### 4.2 Main Features

- ICP (In-Circuit Programming)
- IAP (In-Application Programming)
- ICT (In-Circuit Testing) for downloading and executing user application test patterns in RAM
- Sector 0 size configurable by option byte
- Read-out and write protection

### 4.3 PROGRAMMING MODES

The ST7 can be programmed in three different ways:

- Insertion in a programming tool. In this mode, FLASH sectors 0 and 1, option byte row and data EEPROM (if present) can be programmed or erased.
- In-Circuit Programming. In this mode, FLASH sectors 0 and 1, option byte row and data EEPROM (if present) can be programmed or erased without removing the device from the application board.
- In-Application Programming. In this mode, sector 1 and data EEPROM (if present) can be programmed or erased without removing the device from the application board and while the application is running.

#### 4.3.1 In-Circuit Programming (ICP)

ICP uses a protocol called ICC (In-Circuit Communication) which allows an ST7 plugged on a printed circuit board (PCB) to communicate with an external programming device connected via cable. ICP is performed in three steps:

Switch the ST7 to ICC mode (In-Circuit Communications). This is done by driving a specific signal sequence on the ICCCLK/DATA pins while the RESET pin is pulled low. When the ST7 enters ICC mode, it fetches a specific RESET vector which points to the ST7 System Memory containing the ICC protocol routine. This routine enables the ST7 to receive bytes from the ICC interface.

- Download ICP Driver code in RAM from the ICCDATA pin
- Execute ICP Driver code in RAM to program the FLASH memory

Depending on the ICP Driver code downloaded in RAM, FLASH memory programming can be fully customized (number of bytes to program, program locations, or selection of the serial communication interface for downloading).

#### 4.3.2 In Application Programming (IAP)

This mode uses an IAP Driver program previously programmed in Sector 0 by the user (in ICP mode).

This mode is fully controlled by user software. This allows it to be adapted to the user application, (user-defined strategy for entering programming mode, choice of communications protocol used to fetch the data to be stored etc.)

IAP mode can be used to program any memory areas except Sector 0, which is write/erase protected to allow recovery in case errors occur during the programming operation.

## FLASH PROGRAM MEMORY (Cont'd)

## 4.4 ICC interface

ICP needs a minimum of 4 and up to 6 pins to be connected to the programming tool. These pins are:

- $\overline{\text{RESET}}$ : device reset
- $V_{SS}$ : device power supply ground
- ICCCLK: ICC output serial clock pin
- ICCDATA: ICC input serial data pin
- OSC1: main clock input for external source (not required on devices without OSC1/OSC2 pins)
- $V_{DD}$ : application board power supply (optional, see Note 3)

## Notes:

1. If the ICCCLK or ICCDATA pins are only used as outputs in the application, no signal isolation is necessary. As soon as the Programming Tool is plugged to the board, even if an ICC session is not in progress, the ICCCLK and ICCDATA pins are not available for the application. If they are used as inputs by the application, isolation such as a serial resistor has to be implemented in case another device forces the signal. Refer to the Programming Tool documentation for recommended resistor values.

2. During the ICP session, the programming tool must control the  $\overline{\text{RESET}}$  pin. This can lead to conflicts between the programming tool and the application reset circuit if it drives more than 5mA at high level (push pull output or pull-up resistor < 1K). A schottky diode can be used to isolate the application  $\overline{\text{RESET}}$  circuit in this case. When using a

classical RC network with  $R > 1K$  or a reset management IC with open drain output and pull-up resistor > 1K, no additional components are needed. In all cases the user must ensure that no external reset is generated by the application during the ICC session.

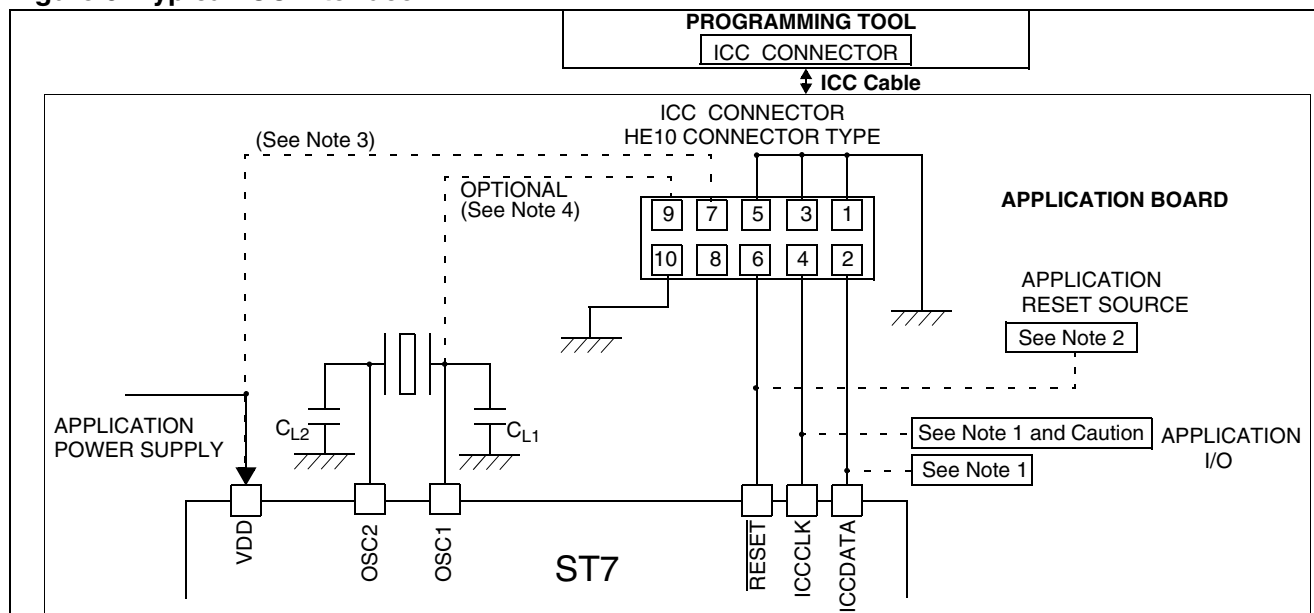
3. The use of pin 7 of the ICC connector depends on the Programming Tool architecture. This pin must be connected when using most ST Programming Tools (it is used to monitor the application power supply). Please refer to the Programming Tool manual.

4. Pin 9 has to be connected to the OSC1 pin of the ST7 when the clock is not available in the application or if the selected clock option is not programmed in the option byte. ST7 devices with multi-oscillator capability need to have OSC2 grounded in this case.

5. In 38-pulse ICC mode, the internal RC oscillator is forced as a clock source, regardless of the selection in the option byte. For ST7LITE10B devices which do not support the internal RC oscillator, the "option byte disabled" mode must be used (35-pulse ICC mode entry, clock provided by the tool).

**Caution:** During normal operation the ICCCLK pin must be pulled-up, internally or externally (external pull-up of 10k mandatory in noisy environment). This is to avoid entering ICC mode unexpectedly during a reset. In the application, even if the pin is configured as output, any reset will put it back in input pull-up.

Figure 6. Typical ICC Interface



FLASH PROGRAM MEMORY (Cont'd)

4.5 Memory Protection

There are two different types of memory protection: Read Out Protection and Write/Erase Protection which can be applied individually.

4.5.1 Read out Protection

Readout protection, when selected provides a protection against program memory content extraction and against write access to Flash memory. Even if no protection can be considered as totally unbreakable, the feature provides a very high level of protection for a general purpose microcontroller. Both program and data E<sup>2</sup> memory are protected.

In flash devices, this protection is removed by re-programming the option. In this case, both program and data E<sup>2</sup> memory are automatically erased and the device can be reprogrammed.

Read-out protection selection depends on the device type:

- In Flash devices it is enabled and removed through the FMP\_R bit in the option byte.
- In ROM devices it is enabled by mask option specified in the Option List.

4.5.2 Flash Write/Erase Protection

Write/erase protection, when set, makes it impossible to both overwrite and erase program memory. It does not apply to E<sup>2</sup> data. Its purpose is to provide advanced security to applications and prevent any change being made to the memory content.

**Warning:** Once set, Write/erase protection can never be removed. A write-protected flash device is no longer reprogrammable.

Write/erase protection is enabled through the FMP\_W bit in the option byte.

4.6 Related Documentation

For details on Flash programming and ICC protocol, refer to the ST7 Flash Programming Reference Manual and to the ST7 ICC Protocol Reference Manual.

4.7 Register Description

FLASH CONTROL/STATUS REGISTER (FCSR)

Read/Write

Reset Value: 000 0000 (00h)

1st RASS Key: 0101 0110 (56h)

2nd RASS Key: 1010 1110 (AEh)

|  |  |  |  |  |     |     |     |
|--|--|--|--|--|-----|-----|-----|
|  |  |  |  |  |     |     |     |
|  |  |  |  |  | OPT | LAT | PGM |

**Note:** This register is reserved for programming using ICP, IAP or other programming methods. It controls the XFlash programming and erasing operations.

When an EPB or another programming tool is used (in socket or ICP mode), the RASS keys are sent automatically.

## 5 DATA EEPROM

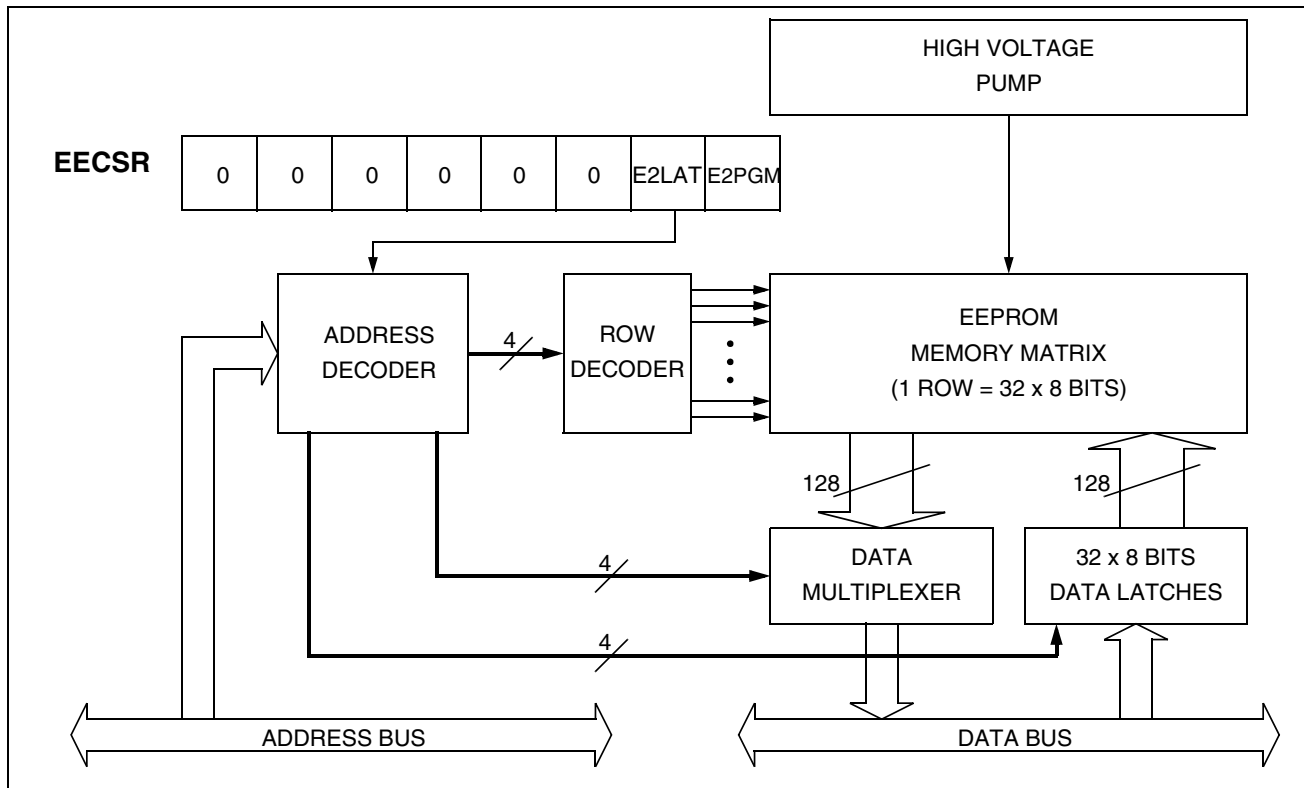
### 5.1 INTRODUCTION

The Electrically Erasable Programmable Read Only Memory can be used as a non volatile back-up for storing data. Using the EEPROM requires a basic access protocol described in this chapter.

### 5.2 MAIN FEATURES

- Up to 32 Bytes programmed in the same cycle
- EEPROM mono-voltage (charge pump)
- Chained erase and programming cycles
- Internal control of the global programming cycle duration
- WAIT mode management
- Readout protection

Figure 7. EEPROM Block Diagram



## DATA EEPROM (Cont'd)

## 5.3 MEMORY ACCESS

The Data EEPROM memory read/write access modes are controlled by the E2LAT bit of the EEPROM Control/Status register (EECSR). The flowchart in [Figure 8](#) describes these different memory access modes.

**Read Operation (E2LAT=0)**

The EEPROM can be read as a normal ROM location when the E2LAT bit of the EECSR register is cleared.

On this device, Data EEPROM can also be used to execute machine code. Take care not to write to the Data EEPROM while executing from it. This would result in an unexpected code being executed.

**Write Operation (E2LAT=1)**

To access the write mode, the E2LAT bit has to be set by software (the E2PGM bit remains cleared). When a write access to the EEPROM area occurs,

the value is latched inside the 32 data latches according to its address.

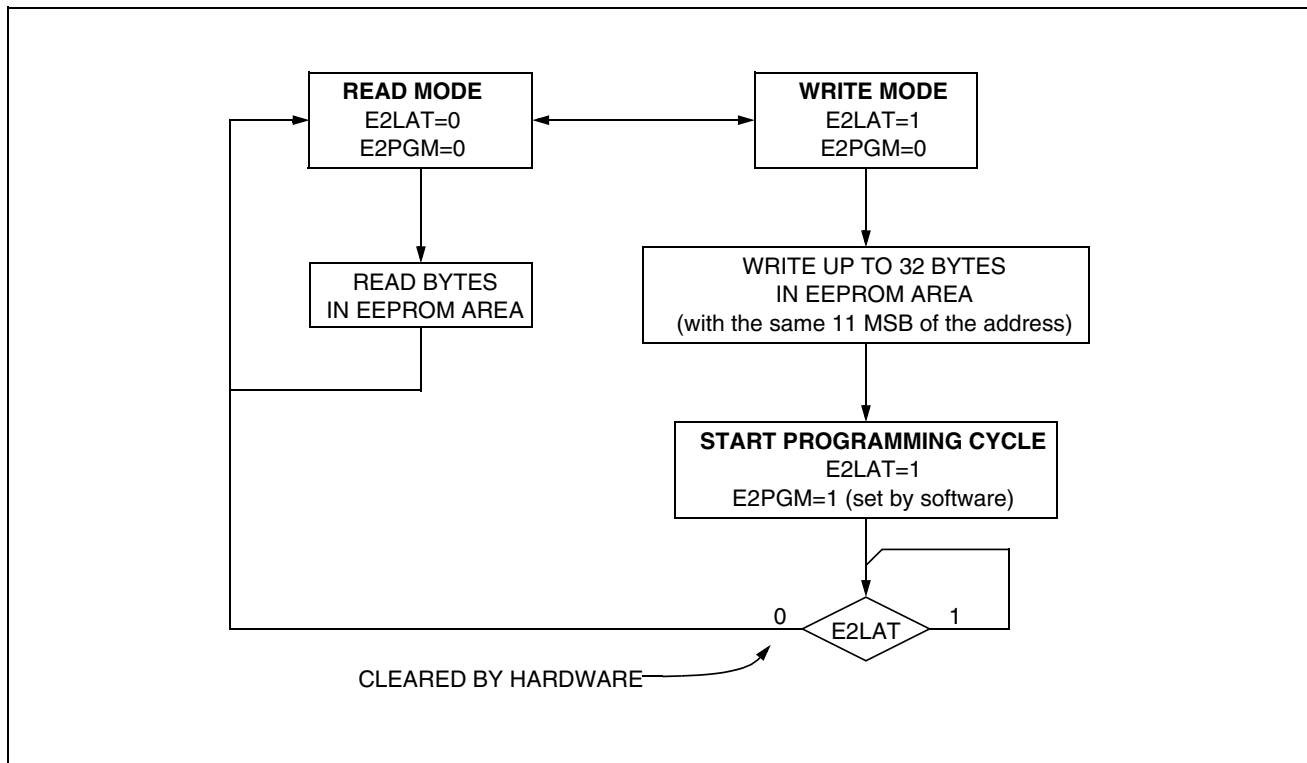
When PGM bit is set by the software, all the previous bytes written in the data latches (up to 32) are programmed in the EEPROM cells. The effective high address (row) is determined by the last EEPROM write sequence. To avoid wrong programming, the user must take care that all the bytes written between two programming sequences have the same high address: only the five Least Significant Bits of the address can change.

At the end of the programming cycle, the PGM and LAT bits are cleared simultaneously.

**Note:** Care should be taken during the programming cycle. Writing to the same memory location will over-program the memory (logical AND between the two write access data result) because the data latches are only cleared at the end of the programming cycle and by the falling edge of the E2LAT bit.

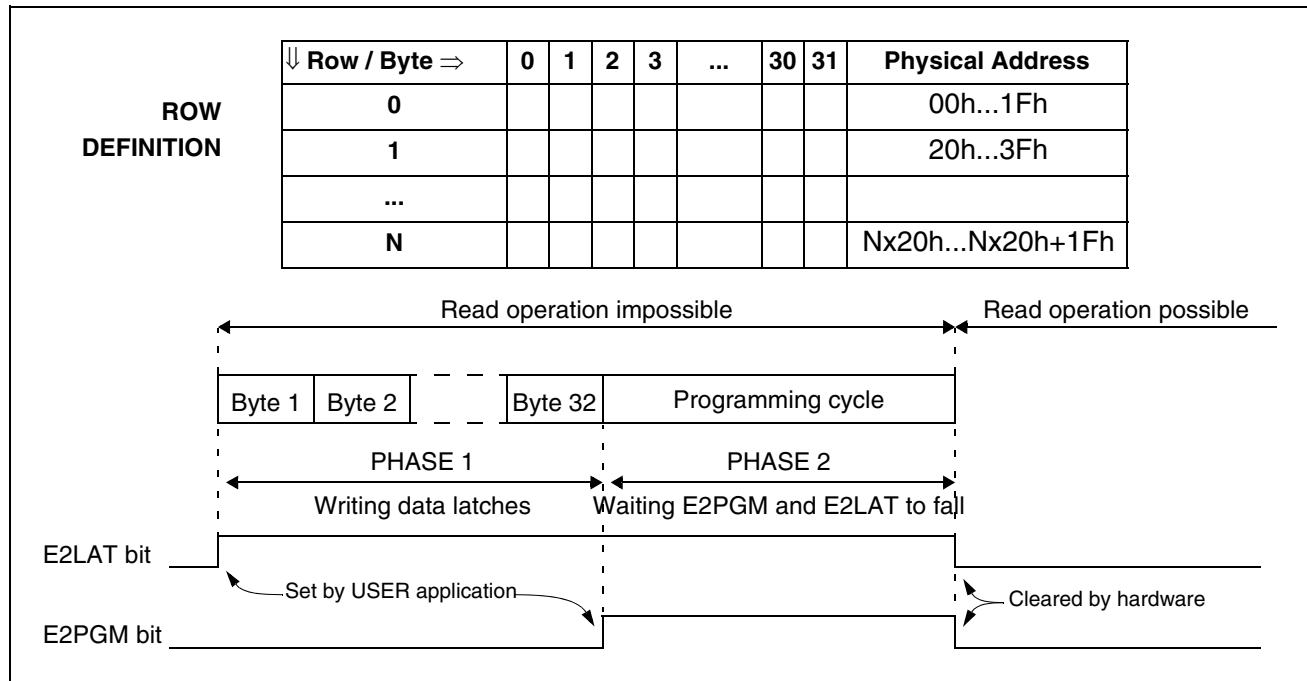
It is not possible to read the latched data. This note is illustrated by the [Figure 10](#).

**Figure 8. Data EEPROM Programming Flowchart**





## DATA EEPROM (Cont'd)

Figure 9. Data E<sup>2</sup>PROM Write Operation

**Note:** If a programming cycle is interrupted (by a reset action), the integrity of the data in memory is not guaranteed.

DATA EEPROM (Cont'd)

5.4 POWER SAVING MODES

Wait mode

The DATA EEPROM can enter WAIT mode on execution of the WFI instruction of the microcontroller or when the microcontroller enters Active-HALT mode. The DATA EEPROM will immediately enter this mode if there is no programming in progress, otherwise the DATA EEPROM will finish the cycle and then enter WAIT mode.

Active-Halt mode

Refer to Wait mode.

Halt mode

The DATA EEPROM immediately enters HALT mode if the microcontroller executes the HALT instruction. Therefore the EEPROM will stop the function in progress, and data may be corrupted.

5.5 ACCESS ERROR HANDLING

If a read access occurs while E2LAT=1, then the data bus will not be driven.

If a write access occurs while E2LAT=0, then the data on the bus will not be latched.

If a programming cycle is interrupted (by a RESET action), the integrity of the data in memory will not be guaranteed.

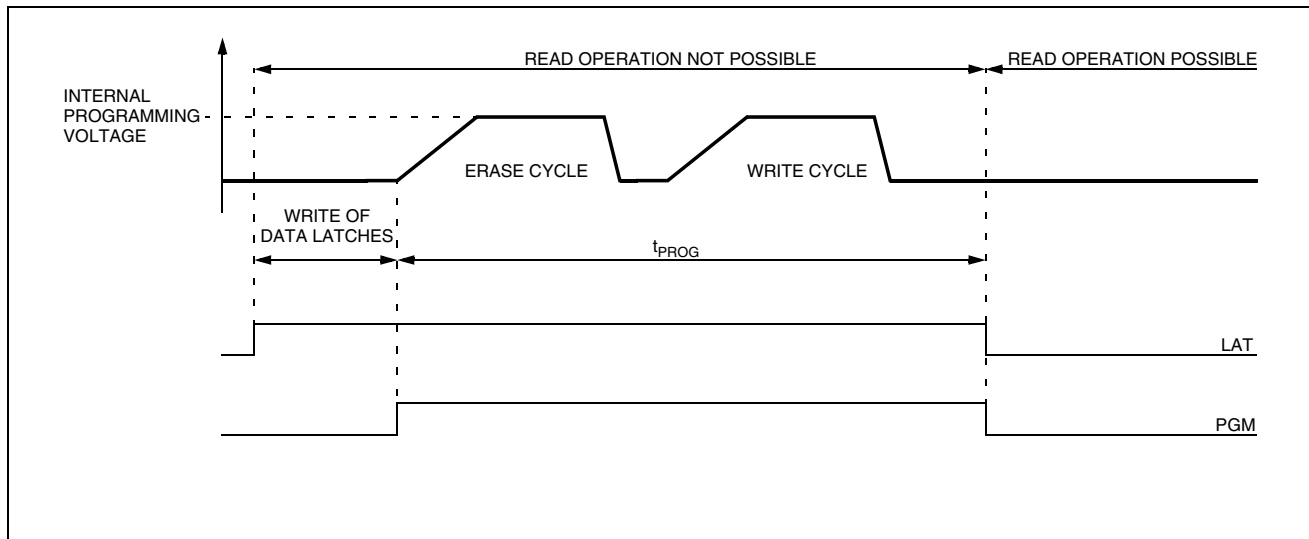
5.6 Data EEPROM Read-out Protection

The read-out protection is enabled through an option bit (see option byte section).

When this option is selected, the programs and data stored in the EEPROM memory are protected against read-out (including a re-write protection). In Flash devices, when this protection is removed by reprogramming the Option Byte, the entire Program memory and EEPROM is first automatically erased.

**Note:** Both Program Memory and data EEPROM are protected using the same option bit.

Figure 10. Data EEPROM Programming Cycle



**DATA EEPROM (Cont'd)****5.7 REGISTER DESCRIPTION****EEPROM CONTROL/STATUS REGISTER (EECSR)**

Read/Write

Reset Value: 0000 0000 (00h)

|   |   |   |   |   |   |       |       |
|---|---|---|---|---|---|-------|-------|
| 7 |   |   |   |   |   |       | 0     |
| 0 | 0 | 0 | 0 | 0 | 0 | E2LAT | E2PGM |

Bits 7:2 = Reserved, forced by hardware to 0.

**Bit 1 = E2LAT Latch Access Transfer**

This bit is set by software. It is cleared by hardware at the end of the programming cycle. It can only be cleared by software if the E2PGM bit is cleared.

0: Read mode

1: Write mode

**Bit 0 = E2PGM Programming control and status**

This bit is set by software to begin the programming cycle. At the end of the programming cycle, this bit is cleared by hardware.

0: Programming finished or not yet started

1: Programming cycle is in progress

**Note:** if the E2PGM bit is cleared during the programming cycle, the memory data is not guaranteed

**Table 3. DATA EEPROM Register Map and Reset Values**

| Address (Hex.) | Register Label              | 7 | 6 | 5 | 4 | 3 | 2 | 1          | 0          |
|----------------|-----------------------------|---|---|---|---|---|---|------------|------------|
| 0030h          | <b>EECSR</b><br>Reset Value | 0 | 0 | 0 | 0 | 0 | 0 | E2LAT<br>0 | E2PGM<br>0 |

## 6 CENTRAL PROCESSING UNIT

### 6.1 INTRODUCTION

This CPU has a full 8-bit architecture and contains six internal registers allowing efficient 8-bit data manipulation.

### 6.2 MAIN FEATURES

- 63 basic instructions
- Fast 8-bit by 8-bit multiply
- 17 main addressing modes
- Two 8-bit index registers
- 16-bit stack pointer
- Low power modes
- Maskable hardware interrupts
- Non-maskable software interrupt

### 6.3 CPU REGISTERS

The six CPU registers shown in [Figure 1](#) are not present in the memory mapping and are accessed by specific instructions.

#### Accumulator (A)

The Accumulator is an 8-bit general purpose register used to hold operands and the results of the arithmetic and logic calculations and to manipulate data.

#### Index Registers (X and Y)

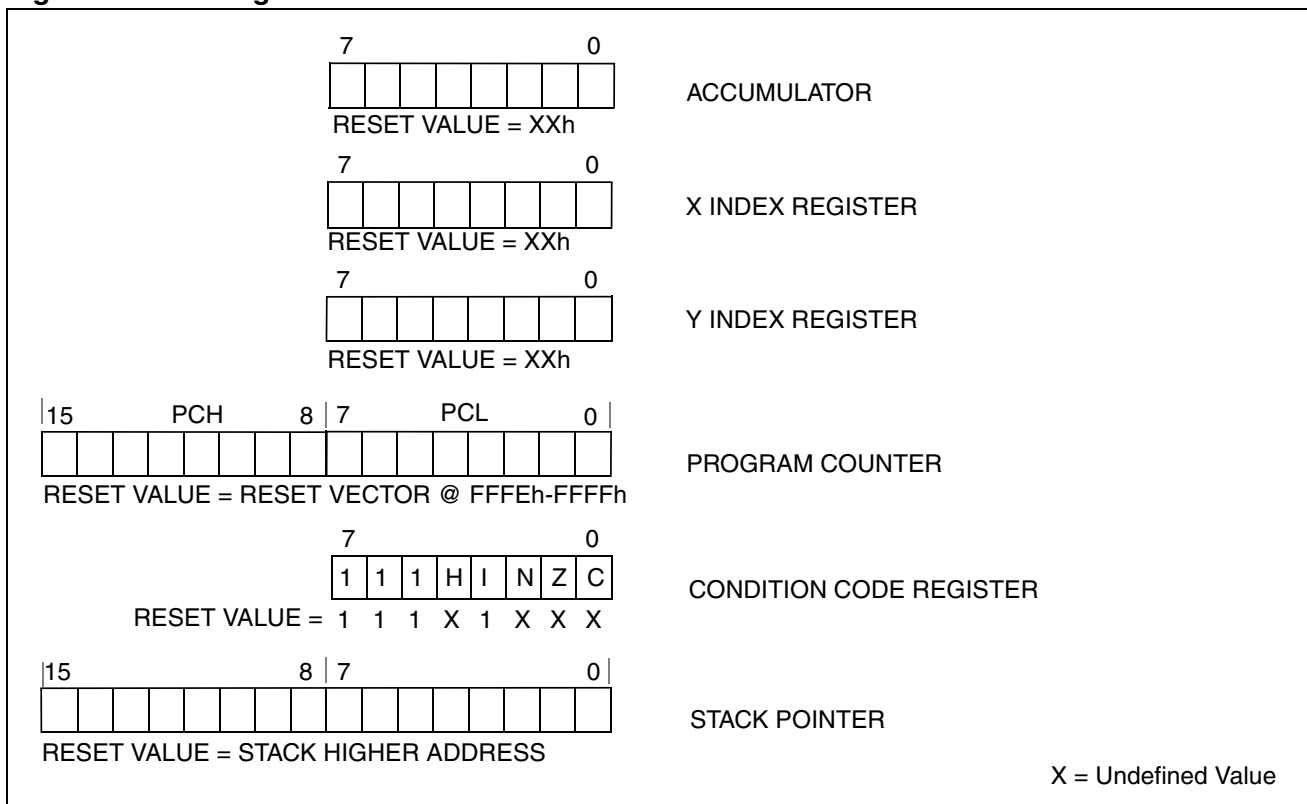
In indexed addressing modes, these 8-bit registers are used to create either effective addresses or temporary storage areas for data manipulation. (The Cross-Assembler generates a precede instruction (PRE) to indicate that the following instruction refers to the Y register.)

The Y register is not affected by the interrupt automatic procedures (not pushed to and popped from the stack).

#### Program Counter (PC)

The program counter is a 16-bit register containing the address of the next instruction to be executed by the CPU. It is made of two 8-bit registers PCL (Program Counter Low which is the LSB) and PCH (Program Counter High which is the MSB).

Figure 11. CPU Registers



**CPU REGISTERS** (cont'd)**CONDITION CODE REGISTER (CC)**

Read/Write

Reset Value: 111x1xxx

|   |   |   |   |   |   |   |   |
|---|---|---|---|---|---|---|---|
| 7 |   |   |   |   |   |   | 0 |
| 1 | 1 | 1 | H | I | N | Z | C |

The 8-bit Condition Code register contains the interrupt mask and four flags representative of the result of the instruction just executed. This register can also be handled by the PUSH and POP instructions.

These bits can be individually tested and/or controlled by specific instructions.

**Bit 4 = H Half carry**

This bit is set by hardware when a carry occurs between bits 3 and 4 of the ALU during an ADD or ADC instruction. It is reset by hardware during the same instructions.

0: No half carry has occurred.

1: A half carry has occurred.

This bit is tested using the JRH or JRNH instruction. The H bit is useful in BCD arithmetic subroutines.

**Bit 3 = I Interrupt mask**

This bit is set by hardware when entering in interrupt or by software to disable all interrupts except the TRAP software interrupt. This bit is cleared by software.

0: Interrupts are enabled.

1: Interrupts are disabled.

This bit is controlled by the RIM, SIM and IRET instructions and is tested by the JRM and JRNM instructions.

**Note:** Interrupts requested while I is set are latched and can be processed when I is cleared. By default an interrupt routine is not interruptible

because the I bit is set by hardware at the start of the routine and reset by the IRET instruction at the end of the routine. If the I bit is cleared by software in the interrupt routine, pending interrupts are serviced regardless of the priority level of the current interrupt routine.

**Bit 2 = N Negative**

This bit is set and cleared by hardware. It is representative of the result sign of the last arithmetic, logical or data manipulation. It is a copy of the 7<sup>th</sup> bit of the result.

0: The result of the last operation is positive or null.

1: The result of the last operation is negative (that is, the most significant bit is a logic 1).

This bit is accessed by the JRMI and JRPL instructions.

**Bit 1 = Z Zero**

This bit is set and cleared by hardware. This bit indicates that the result of the last arithmetic, logical or data manipulation is zero.

0: The result of the last operation is different from zero.

1: The result of the last operation is zero.

This bit is accessed by the JREQ and JRNE test instructions.

**Bit 0 = C Carry/borrow**

This bit is set and cleared by hardware and software. It indicates an overflow or an underflow has occurred during the last arithmetic operation.

0: No overflow or underflow has occurred.

1: An overflow or underflow has occurred.

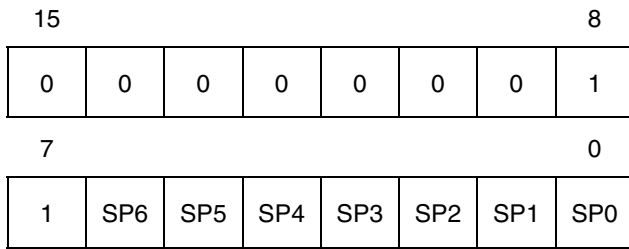
This bit is driven by the SCF and RCF instructions and tested by the JRC and JRNC instructions. It is also affected by the "bit test and branch", shift and rotate instructions.

CPU REGISTERS (Cont'd)

STACK POINTER (SP)

Read/Write

Reset Value: 01FFh



The Stack Pointer is a 16-bit register which is always pointing to the next free location in the stack. It is then decremented after data has been pushed onto the stack and incremented before data is popped from the stack (see Figure 12).

Since the stack is 128 bytes deep, the 9 most significant bits are forced by hardware. Following an MCU Reset, or after a Reset Stack Pointer instruction (RSP), the Stack Pointer contains its reset value (the SP6 to SP0 bits are set) which is the stack higher address.

The least significant byte of the Stack Pointer (called S) can be directly accessed by a LD instruction.

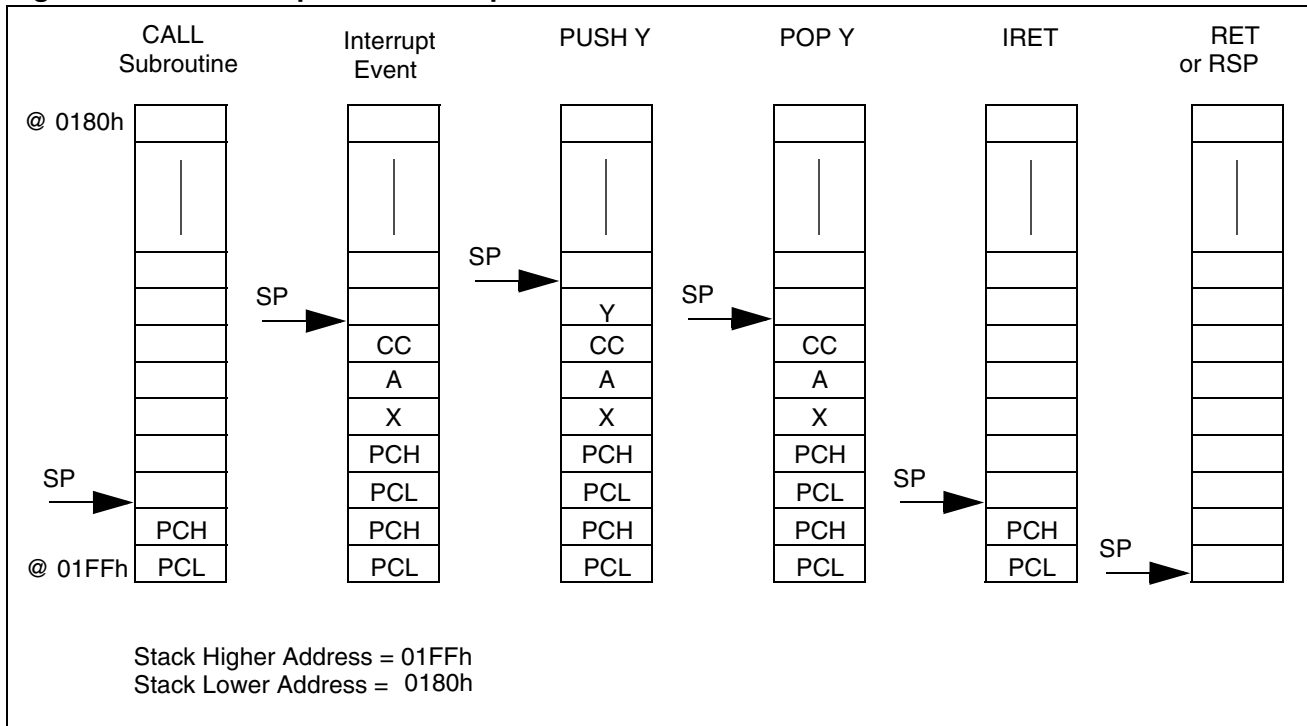
**Note:** When the lower limit is exceeded, the Stack Pointer wraps around to the stack upper limit, without indicating the stack overflow. The previously stored information is then overwritten and therefore lost. The stack also wraps in case of an underflow.

The stack is used to save the return address during a subroutine call and the CPU context during an interrupt. The user may also directly manipulate the stack by means of the PUSH and POP instructions. In the case of an interrupt, the PCL is stored at the first location pointed to by the SP. Then the other registers are stored in the next locations as shown in Figure 12.

- When an interrupt is received, the SP is decremented and the context is pushed on the stack.
- On return from interrupt, the SP is incremented and the context is popped from the stack.

A subroutine call occupies two locations and an interrupt five locations in the stack area.

Figure 12. Stack Manipulation Example



## 7 SUPPLY, RESET AND CLOCK MANAGEMENT

The device includes a range of utility features for securing the application in critical situations (for example in case of a power brown-out), and reducing the number of external components.

### Main features

- Clock Management
  - 1 MHz internal RC oscillator (enabled by option byte, available on ST7LITE15B and ST7LITE19B devices only)
  - 1 to 16 MHz External crystal/ceramic resonator (selected by option byte)
  - External Clock Input (enabled by option byte)
  - PLL for multiplying the frequency by 8 or 4 (enabled by option byte)
  - For clock ART counter only: PLL32 for multiplying the 8 MHz frequency by 4 (enabled by option byte). The 8 MHz input frequency is mandatory and can be obtained in the following ways:
    - 1 MHz RC + PLLx8
    - 16 MHz external clock (internally divided by 2)
    - 2 MHz. external clock (internally divided by 2) + PLLx8
    - Crystal oscillator with 16 MHz output frequency (internally divided by 2)
- Reset Sequence Manager (RSM)
- System Integrity Management (SI)
  - Main supply Low voltage detection (LVD) with reset generation (enabled by option byte)
  - Auxiliary Voltage detector (AVD) with interrupt capability for monitoring the main supply (enabled by option byte)

### 7.1 INTERNAL RC OSCILLATOR ADJUSTMENT

The device contains an internal RC oscillator with an accuracy of 1% for a given device, temperature and voltage range (4.5V-5.5V). It must be calibrated to obtain the frequency required in the application. This is done by software writing a 10-bit calibration value in the RCCR (RC Control Register) and in the bits 6:5 in the SICSR (SI Control Status Register).

Whenever the microcontroller is reset, the RCCR returns to its default value (FFh), i.e. each time the device is reset, the calibration value must be loaded in the RCCR. Predefined calibration values are stored in EEPROM for 3 and 5V  $V_{DD}$  supply voltages at 25°C, as shown in the following table.

| RCCR   | Conditions  | ST7LITE1xB Address            |
|--------|---|-------------------------------|
| RCCRHO | $V_{DD}=5V$<br>$T_A=25^{\circ}C$<br>$f_{RC}=1MHz$   | DEE0h <sup>1)</sup> (CR[9:2]) |
| RCCRL0 |   | DEE1h <sup>1)</sup> (CR[1:0]) |
| RCCRHI | $V_{DD}=3.3V$<br>$T_A=25^{\circ}C$<br>$f_{RC}=1MHz$ | DEE2h <sup>1)</sup> (CR[9:2]) |
| RCCRL1 |   | DEE3h <sup>1)</sup> (CR[1:0]) |

1. DEE0h, DEE1h, DEE2h and DEE3h addresses are located in a reserved area of non-volatile memory. They are read-only bytes for the application code. This area cannot be erased or programmed by any ICC operation.

For compatibility reasons with the SICSR register, CR[1:0] bits are stored in the 5th and 6th position of DEE1 and DEE3 addresses.

### Notes:

- In 38-pulse ICC mode, the internal RC oscillator is forced as a clock source, regardless of the selection in the option byte. For ST7LITE10B devices which do not support the internal RC oscillator, the “option byte disabled” mode must be used (35-pulse ICC mode entry, clock provided by the tool).
- See “ELECTRICAL CHARACTERISTICS” on page 110. for more information on the frequency and accuracy of the RC oscillator.
- To improve clock stability and frequency accuracy, it is recommended to place a decoupling capacitor, typically 100nF, between the  $V_{DD}$  and  $V_{SS}$  pins as close as possible to the ST7 device.
- These bytes are systematically programmed by ST, including on FASTROM devices.

**Caution:** If the voltage or temperature conditions change in the application, the frequency may need to be recalibrated.

Refer to application note AN1324 for information on how to calibrate the RC frequency using an external reference signal.

### 7.2 PHASE LOCKED LOOP

The PLL can be used to multiply a 1MHz frequency from the RC oscillator or the external clock by 4 or 8 to obtain  $f_{OSC}$  of 4 or 8 MHz. The PLL is enabled and the multiplication factor of 4 or 8 is selected by 2 option bits.

- The x4 PLL is intended for operation with  $V_{DD}$  in the 2.7V to 3.3V range

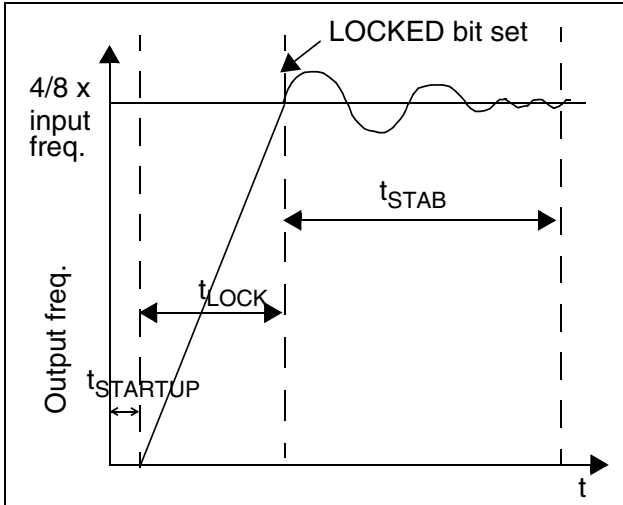
– The x8 PLL is intended for operation with  $V_{DD}$  in the 3.3V to 5.5V range <sup>1)</sup>

Refer to [Section 15.1](#) for the option byte description.

If the PLL is disabled and the RC oscillator is enabled, then  $f_{OSC} = 1\text{MHz}$ .

If both the RC oscillator and the PLL are disabled,  $f_{OSC}$  is driven by the external clock.

**Figure 13. PLL Output Frequency Timing Diagram**



When the PLL is started, after reset or wake up from Halt mode or AWUFH mode, it outputs the clock after a delay of  $t_{STARTUP}$ .

When the PLL output signal reaches the operating frequency, the LOCKED bit in the SICSCR register is set. Full PLL accuracy ( $ACC_{PLL}$ ) is reached after a stabilization time of  $t_{STAB}$  (see [Figure 13](#) and [13.3.5 Internal RC Oscillator and PLL](#))

Refer to [section 7.6.4 on page 35](#) for a description of the LOCKED bit in the SICSCR register.

**Note 1:**

It is possible to obtain  $f_{OSC} = 4\text{MHz}$  in the 3.3V to 5.5V range with internal RC and PLL enabled by selecting 1MHz RC and x8 PLL and setting the PLLdiv2 bit in the PLLTST register (see [section 7.6.4 on page 35](#)).



### 7.3 REGISTER DESCRIPTION

#### MAIN CLOCK CONTROL/STATUS REGISTER (MCCSR)

Read / Write

Reset Value: 0000 0000 (00h)

|   |   |   |   |   |   |     |     |
|---|---|---|---|---|---|-----|-----|
| 7 |   |   |   |   |   |     | 0   |
| 0 | 0 | 0 | 0 | 0 | 0 | MCO | SMS |

Bits 7:2 = Reserved, must be kept cleared.

#### Bit 1 = **MCO** Main Clock Out enable

This bit is read/write by software and cleared by hardware after a reset. This bit allows to enable the MCO output clock.

0: MCO clock disabled, I/O port free for general purpose I/O.

1: MCO clock enabled.

#### Bit 0 = **SMS** Slow Mode select

This bit is read/write by software and cleared by hardware after a reset. This bit selects the input clock  $f_{OSC}$  or  $f_{OSC}/32$ .

0: Normal mode ( $f_{CPU} = f_{OSC}$ )

1: Slow mode ( $f_{CPU} = f_{OSC}/32$ )

#### RC CONTROL REGISTER (RCCR)

Read / Write

Reset Value: 1111 1111 (FFh)

|     |     |     |     |     |     |     |     |
|-----|-----|-----|-----|-----|-----|-----|-----|
| 7   |     |     |     |     |     |     | 0   |
| CR9 | CR8 | CR7 | CR6 | CR5 | CR4 | CR3 | CR2 |

Bits 7:0 = **CR[9:2]** RC Oscillator Frequency Adjustment Bits

These bits must be written immediately after reset to adjust the RC oscillator frequency and to obtain an accuracy of 1%. The application can store the correct value for each voltage range in EEPROM and write it to this register at start-up.

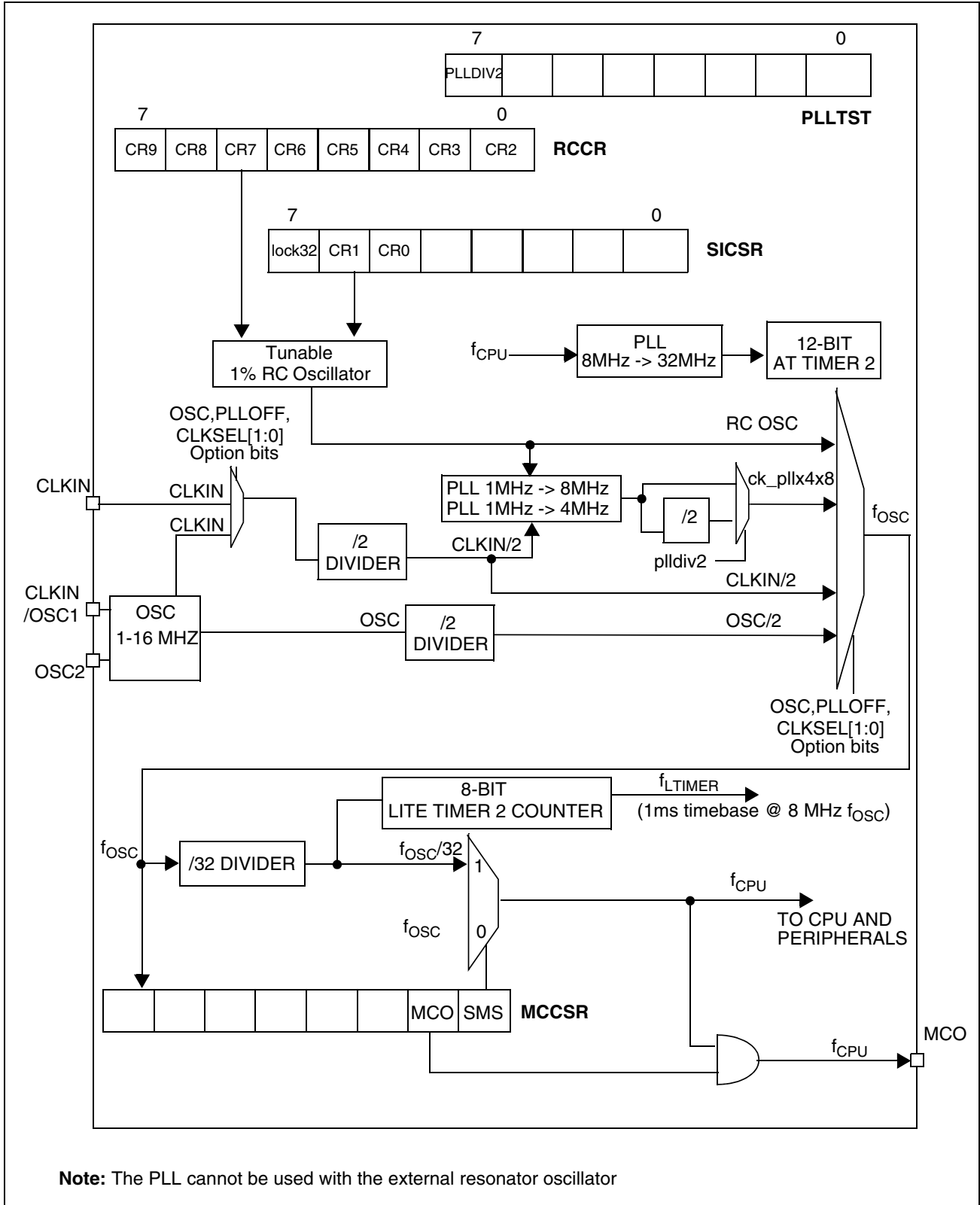
00h = maximum available frequency

FFh = lowest available frequency

These bits are used with the CR[1:0] bits in the SICSR register. Refer to [section 7.6.4 on page 35](#).

**Note:** To tune the oscillator, write a series of different values in the register until the correct frequency is reached. The fastest method is to use a dichotomy starting with 80h.

Figure 14. Clock Management Block Diagram



## 7.4 MULTI-OSCILLATOR (MO)

The main clock of the ST7 can be generated by four different source types coming from the multi-oscillator block (1 to 16MHz):

- an external source
- 5 different configurations for crystal or ceramic resonator oscillators
- an internal high frequency RC oscillator

Each oscillator is optimized for a given frequency range in terms of consumption and is selectable through the option byte. The associated hardware configurations are shown in Table 4. Refer to the electrical characteristics section for more details.

### External Clock Source

In this external clock mode, a clock signal (square, sinus or triangle) with ~50% duty cycle has to drive the OSC1 pin while the OSC2 pin is tied to ground.

**Note:** when the Multi-Oscillator is not used, PB4 is selected by default as external clock.

### Crystal/Ceramic Oscillators

In this mode, with a self-controlled gain feature, oscillator of any frequency from 1 to 16MHz can be placed on OSC1 and OSC2 pins. This family of oscillators has the advantage of producing a very accurate rate on the main clock of the ST7. In this mode of the multi-oscillator, the resonator and the load capacitors have to be placed as close as possible to the oscillator pins in order to minimize output distortion and start-up stabilization time. The loading capacitance values must be adjusted according to the selected oscillator.

These oscillators are not stopped during the RESET phase to avoid losing time in the oscillator start-up phase.

### Internal RC Oscillator

In this mode, the tunable 1%RC oscillator is used as main clock source. The two oscillator pins have to be tied to ground if dedicatedly using for oscillator else can be found as general purpose IO.

The calibration is done through the RCCR[7:0] and SICSR[6:5] registers.

**Table 4. ST7 Clock Sources**

|                            | Hardware Configuration |
|----------------------------|------------------------|
| External Clock             |                        |
| Crystal/Ceramic Resonators |                        |
| Internal RC Oscillator     |                        |

## 7.5 RESET SEQUENCE MANAGER (RSM)

### 7.5.1 Introduction

The reset sequence manager includes three RESET sources as shown in [Figure 16](#):

- External  $\overline{\text{RESET}}$  source pulse
- Internal LVD RESET (Low Voltage Detection)
- Internal WATCHDOG RESET

**Note:** A reset can also be triggered following the detection of an illegal opcode or prebyte code. Refer to [section 12.2.1 on page 107](#) for further details.

These sources act on the  $\overline{\text{RESET}}$  pin and it is always kept low during the delay phase.

The RESET service routine vector is fixed at addresses FFFEh-FFFFh in the ST7 memory map.

The basic RESET sequence consists of 3 phases as shown in [Figure 15](#):

- Active Phase depending on the RESET source
- 256 or 4096 CPU clock cycle delay (see table below)
- RESET vector fetch

**Caution:** When the ST7 is unprogrammed or fully erased, the Flash is blank and the RESET vector is not programmed. For this reason, it is recommended to keep the RESET pin in low state until programming mode is entered, in order to avoid unwanted behavior.

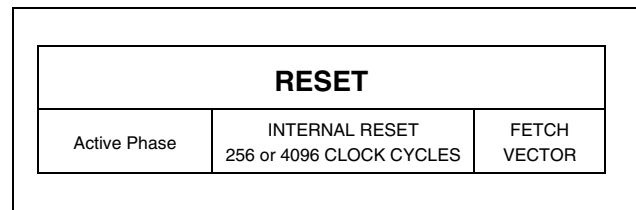
The 256 or 4096 CPU clock cycle delay allows the oscillator to stabilise and ensures that recovery has taken place from the Reset state. The shorter or longer clock cycle delay is automatically selected depending on the clock source chosen by option byte:

The RESET vector fetch phase duration is 2 clock cycles.

| Clock Source  | CPU clock cycle delay |
|---|-----------------------|
| Internal RC Oscillator  | 256                   |
| External clock (connected to CLKIN pin)                           | 256                   |
| External Crystal/Ceramic Oscillator (connected to OSC1/OSC2 pins) | 4096                  |

If the PLL is enabled by option byte, it outputs the clock after an additional delay of  $t_{\text{STARTUP}}$  (see [Figure 13](#)).

**Figure 15. RESET Sequence Phases**

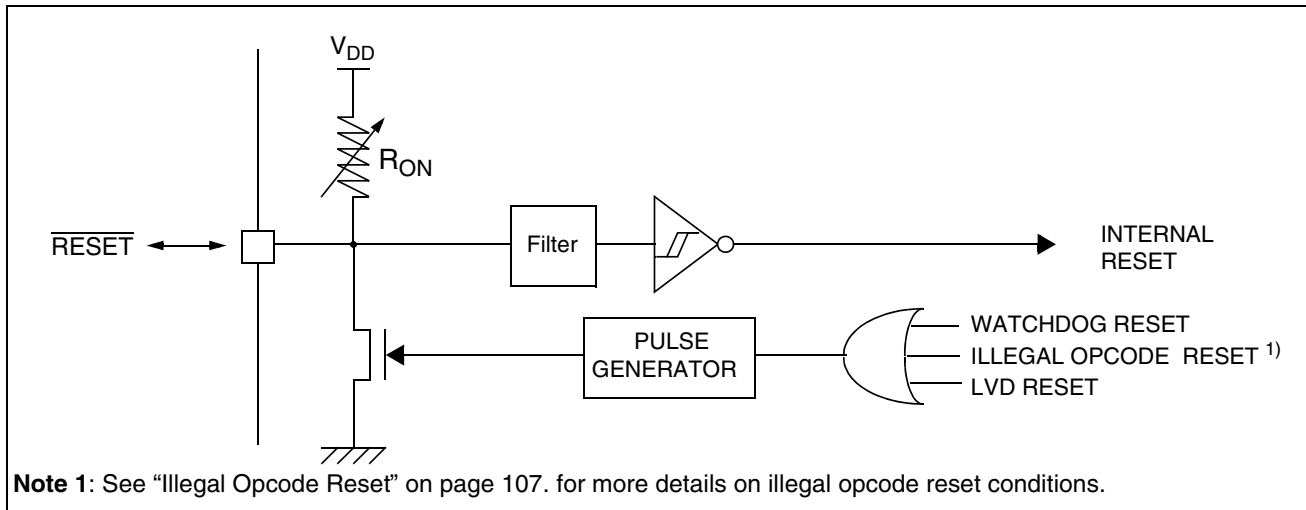


### 7.5.2 Asynchronous External $\overline{\text{RESET}}$ pin

The  $\overline{\text{RESET}}$  pin is both an input and an open-drain output with integrated  $R_{\text{ON}}$  weak pull-up resistor. This pull-up has no fixed value but varies in accordance with the input voltage. It can be pulled low by external circuitry to reset the device. See Electrical Characteristic section for more details.

A RESET signal originating from an external source must have a duration of at least  $t_{\text{n(RSTL)}}_{\text{in}}$  in order to be recognized (see [Figure 17](#)). This detection is asynchronous and therefore the MCU can enter reset state even in HALT mode.

Figure 16. Reset Block Diagram



**RESET SEQUENCE MANAGER (Cont'd)**

The  $\overline{\text{RESET}}$  pin is an asynchronous signal which plays a major role in EMS performance. In a noisy environment, it is recommended to follow the guidelines mentioned in the electrical characteristics section.

**7.5.3 External Power-On RESET**

If the LVD is disabled by option byte, to start up the microcontroller correctly, the user must ensure by means of an external reset circuit that the reset signal is held low until  $V_{DD}$  is over the minimum level specified for the selected  $f_{OSC}$  frequency.

A proper reset signal for a slow rising  $V_{DD}$  supply can generally be provided by an external RC network connected to the  $\overline{\text{RESET}}$  pin.

**7.5.4 Internal Low Voltage Detector (LVD) RESET**

Two different RESET sequences caused by the internal LVD circuitry can be distinguished:

- Power-On RESET
- Voltage Drop RESET

The device  $\overline{\text{RESET}}$  pin acts as an output that is pulled low when  $V_{DD} < V_{IT+}$  (rising edge) or  $V_{DD} < V_{IT-}$  (falling edge) as shown in Figure 17.

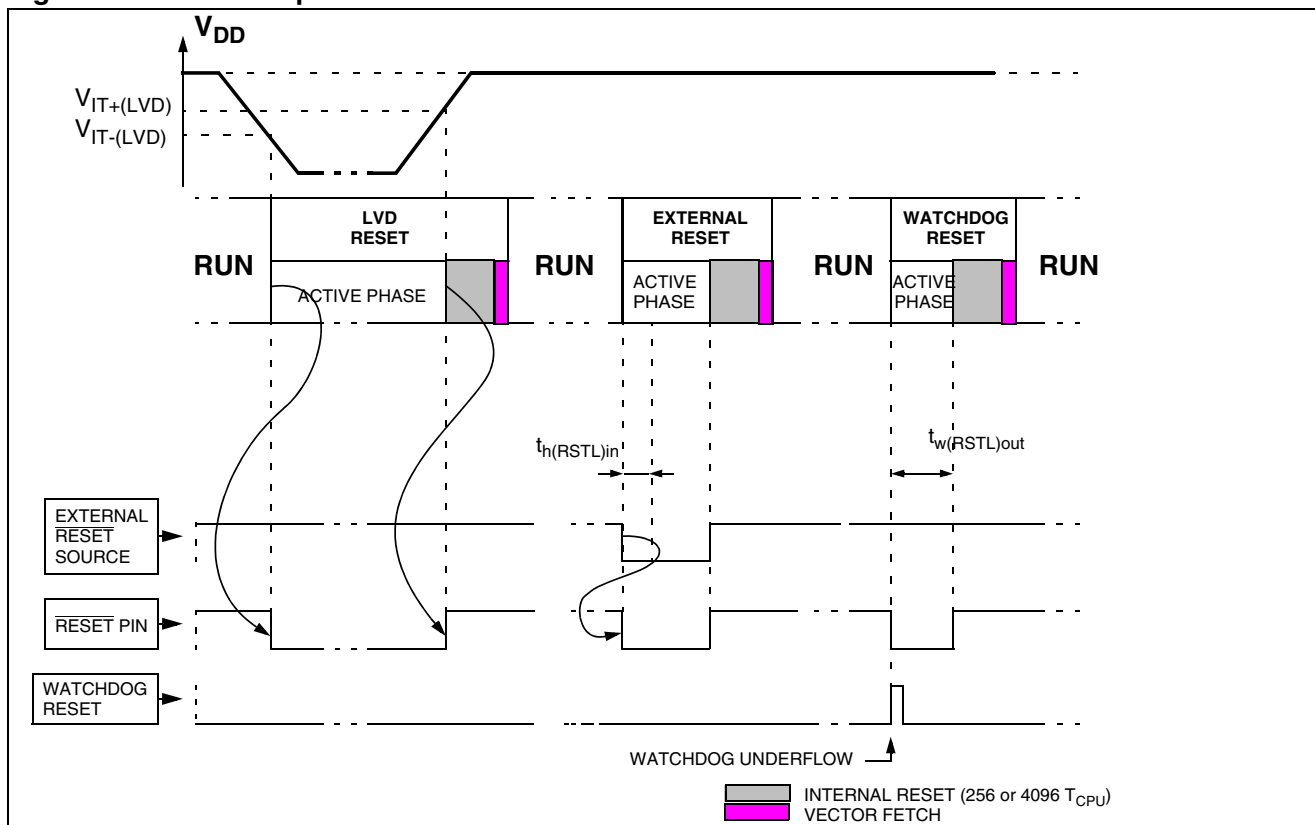
The LVD filters spikes on  $V_{DD}$  larger than  $t_{g(VDD)}$  to avoid parasitic resets.

**7.5.5 Internal Watchdog RESET**

The RESET sequence generated by a internal Watchdog counter overflow is shown in Figure 17.

Starting from the Watchdog counter underflow, the device  $\overline{\text{RESET}}$  pin acts as an output that is pulled low during at least  $t_{w(RSTL)out}$ .

**Figure 17. RESET Sequences**



## 7.6 SYSTEM INTEGRITY MANAGEMENT (SI)

The System Integrity Management block contains the Low voltage Detector (LVD) and Auxiliary Voltage Detector (AVD) functions. It is managed by the SICSR register.

**Note:** A reset can also be triggered following the detection of an illegal opcode or prebyte code. Refer to [section 12.2.1 on page 107](#) for further details.

### 7.6.1 Low Voltage Detector (LVD)

The Low Voltage Detector function (LVD) generates a static reset when the  $V_{DD}$  supply voltage is below a  $V_{IT-(LVD)}$  reference value. This means that it secures the power-up as well as the power-down keeping the ST7 in reset.

The  $V_{IT-(LVD)}$  reference value for a voltage drop is lower than the  $V_{IT+(LVD)}$  reference value for power-on in order to avoid a parasitic reset when the MCU starts running and sinks current on the supply (hysteresis).

The LVD Reset circuitry generates a reset when  $V_{DD}$  is below:

- $V_{IT+(LVD)}$  when  $V_{DD}$  is rising
- $V_{IT-(LVD)}$  when  $V_{DD}$  is falling

The LVD function is illustrated in [Figure 18](#).

The voltage threshold can be configured by option byte to be low, medium or high.

Provided the minimum  $V_{DD}$  value (guaranteed for the oscillator frequency) is above  $V_{IT-(LVD)}$ , the MCU can only be in two modes:

- under full software control
- in static safe reset

In these conditions, secure operation is always ensured for the application without the need for external reset hardware.

During a Low Voltage Detector Reset, the  $\overline{\text{RESET}}$  pin is held low, thus permitting the MCU to reset other devices.

#### Notes:

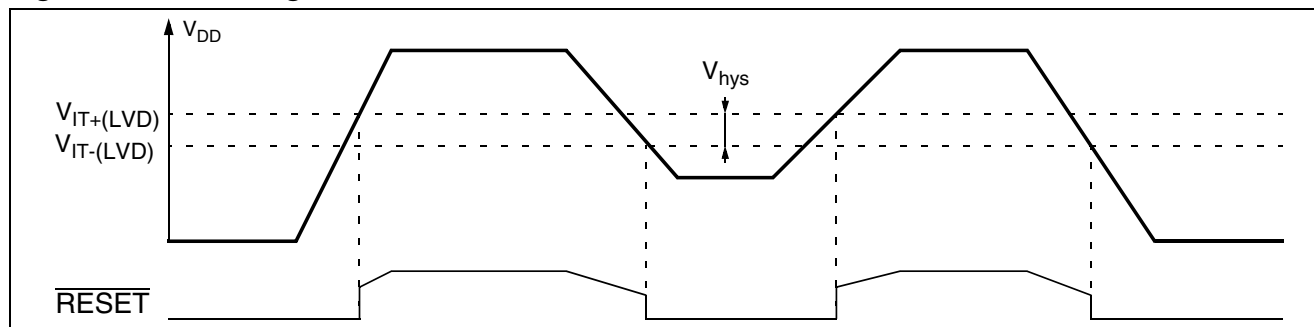
The LVD allows the device to be used without any external RESET circuitry.

The LVD is an optional function which can be selected by option byte.

Use of LVD with capacitive power supply: with this type of power supply, if power cuts occur in the application, it is recommended to pull  $V_{DD}$  down to 0V to ensure optimum restart conditions. Refer to circuit example in [Figure 106 on page 136](#) and note 4.

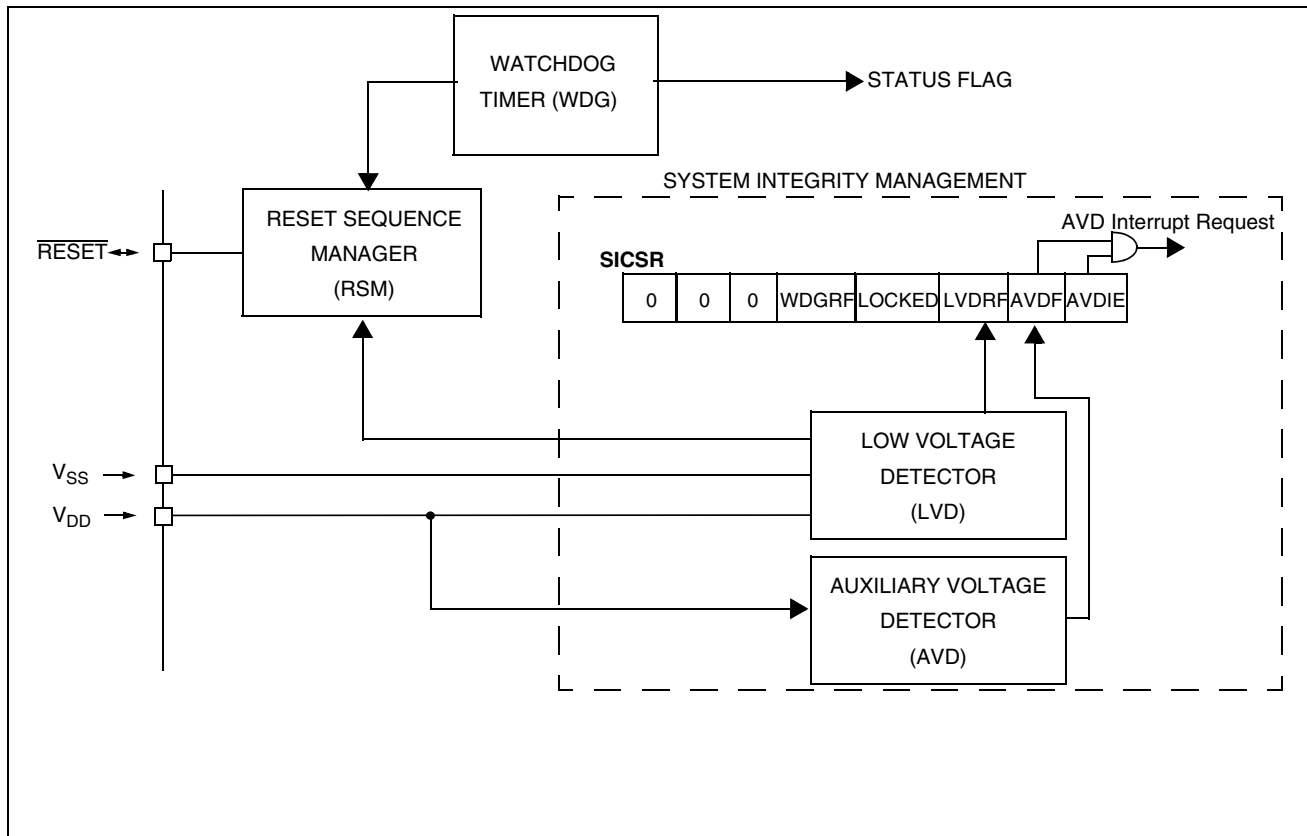
It is recommended to make sure that the  $V_{DD}$  supply voltage rises monotonously when the device is exiting from Reset, to ensure the application functions properly.

**Figure 18. Low Voltage Detector vs Reset**



SYSTEM INTEGRITY MANAGEMENT (Cont'd)

Figure 19. Reset and Supply Management Block Diagram





## SYSTEM INTEGRITY MANAGEMENT (Cont'd)

### 7.6.2 Auxiliary Voltage Detector (AVD)

The Voltage Detector function (AVD) is based on an analog comparison between a  $V_{IT-(AVD)}$  and  $V_{IT+(AVD)}$  reference value and the  $V_{DD}$  main supply voltage ( $V_{AVD}$ ). The  $V_{IT-(AVD)}$  reference value for falling voltage is lower than the  $V_{IT+(AVD)}$  reference value for rising voltage in order to avoid parasitic detection (hysteresis).

The output of the AVD comparator is directly readable by the application software through a real time status bit (AVDF) in the SICSR register. This bit is read only.

**Caution:** The AVD functions only if the LVD is enabled through the option byte.

abled through the option byte.

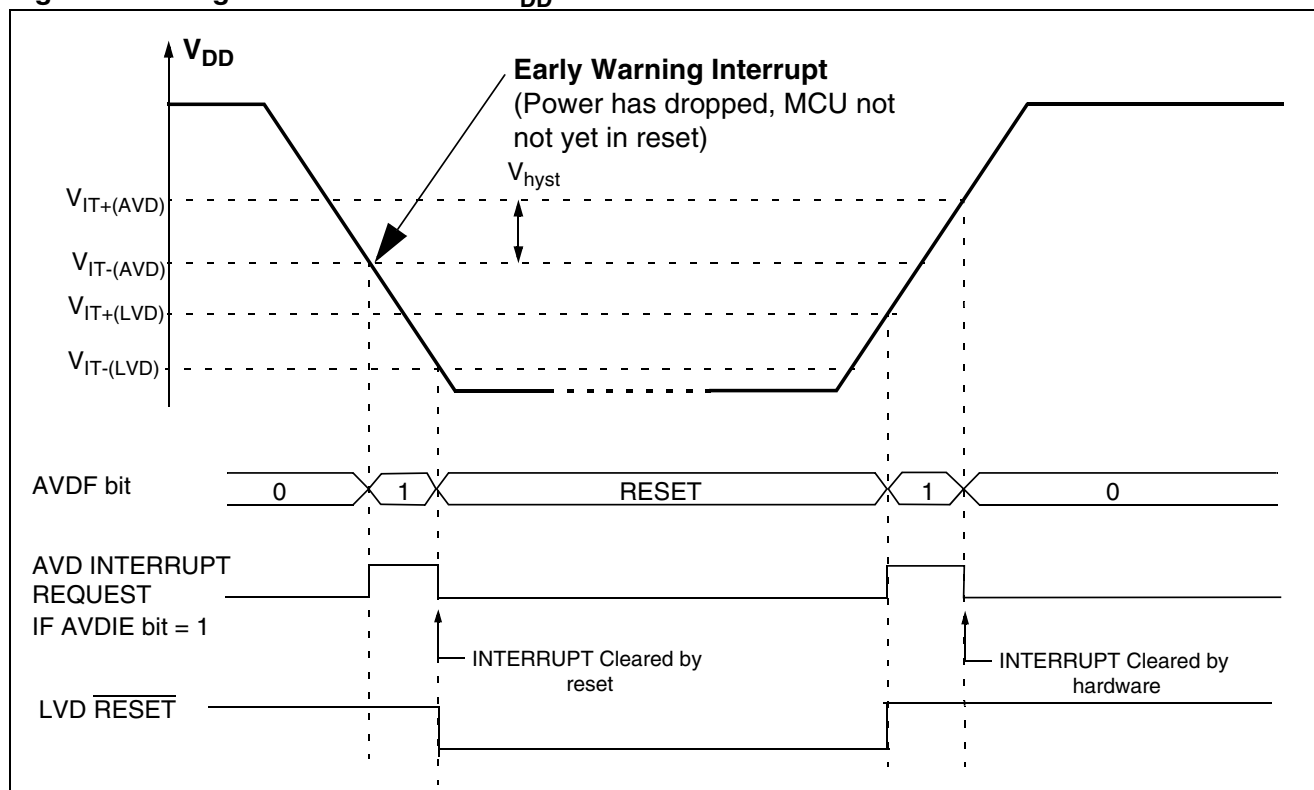
#### 7.6.2.1 Monitoring the $V_{DD}$ Main Supply

The AVD voltage threshold value is relative to the selected LVD threshold configured by option byte (see [section 15.1 on page 149](#)).

If the AVD interrupt is enabled, an interrupt is generated when the voltage crosses the  $V_{IT+(LVD)}$  or  $V_{IT-(AVD)}$  threshold (AVDF bit is set).

In the case of a drop in voltage, the AVD interrupt acts as an early warning, allowing software to shut down safely before the LVD resets the microcontroller. See [Figure 20](#).

**Figure 20. Using the AVD to Monitor  $V_{DD}$**



**SYSTEM INTEGRITY MANAGEMENT (Cont'd)**

**7.6.3 Low Power Modes**

| Mode | Description  |
|------|--|
| WAIT | No effect on SI. AVD interrupts cause the device to exit from Wait mode. |
| HALT | The SICSR register is frozen.<br>The AVD remains active.                 |

**7.6.3.1 Interrupts**

The AVD interrupt event generates an interrupt if the corresponding Enable Control Bit (AVDIE) is

set and the interrupt mask in the CC register is reset (RIM instruction).

| Interrupt Event | Event Flag | Enable Control Bit | Exit from Wait | Exit from Halt |
|-----------------|------------|--------------------|----------------|----------------|
| AVD event       | AVDF       | AVDIE              | Yes            | No             |

## SYSTEM INTEGRITY MANAGEMENT (Cont'd)

### 7.6.4 Register Description

#### SYSTEM INTEGRITY (SI) CONTROL/STATUS REGISTER (SICSR)

Read/Write

Reset Value: 0110 0xx0 (6xh)

|            |     |     |           |        |       |      |       |
|------------|-----|-----|-----------|--------|-------|------|-------|
| 7          |     |     |           |        |       |      | 0     |
| LOCK<br>32 | CR1 | CR0 | WDG<br>RF | LOCKED | LVDRF | AVDF | AVDIE |

#### Bit 7 = **LOCK32** PLL 32Mhz Locked Flag

This bit is set and cleared by hardware. It is set automatically when the PLL 32Mhz reaches its operating frequency

0: PLL32 not locked

1: PLL32 locked

#### Bits 6:5 = **CR[1:0]** RC Oscillator Frequency Adjustment bits

These bits, as well as CR[9:2] bits in the RCCR register must be written immediately after reset to adjust the RC oscillator frequency and to obtain an accuracy of 1%. Refer to [section 7.3 on page 25](#).

#### Bit 4 = **WDGRF** Watchdog Reset flag

This bit indicates that the last Reset was generated by the Watchdog peripheral. It is set by hardware (watchdog reset) and cleared by software (reading the SICSR register or writing 0 to this bit) or by an LVD Reset (to ensure a stable cleared state of the WDGRF flag when the CPU starts). Combined with the LVDRF flag information, the flag description is given by the following table.

| RESET Sources      | LVDRF | WDGRF |
|--------------------|-------|-------|
| External RESET pin | 0     | 0     |
| Watchdog           | 0     | 1     |
| LVD                | 1     | X     |

#### Bit 3 = **LOCKED** PLL Locked Flag

This bit is set and cleared by hardware. It is set automatically when the PLL reaches its operating frequency.

0: PLL not locked

1: PLL locked

#### Bit 2 = **LVDRF** LVD reset flag

This bit indicates that the last Reset was generated by the LVD block. It is set by hardware (LVD reset) and cleared by software (by reading). When

the LVD is disabled by OPTION BYTE, the LVDRF bit value is undefined.

#### Bit 1 = **AVDF** Voltage Detector Flag

This read-only bit is set and cleared by hardware. If the AVDIE bit is set, an interrupt request is generated when the AVDF bit is set. Refer to [Figure 20](#) and to [Section 7.6.2.1](#) for additional details.

0: V<sub>DD</sub> over AVD threshold

1: V<sub>DD</sub> under AVD threshold

#### Bit 0 = **AVDIE** Voltage Detector Interrupt Enable

This bit is set and cleared by software. It enables an interrupt to be generated when the AVDF flag is set. The pending interrupt information is automatically cleared when software enters the AVD interrupt routine.

0: AVD interrupt disabled

1: AVD interrupt enabled

### Application notes

The LVDRF flag is not cleared when another RESET type occurs (external or watchdog), the LVDRF flag remains set to keep trace of the original failure.

In this case, a watchdog reset can be detected by software while an external reset can not.

#### PLL TEST REGISTER (PLLTST)

Read/Write

Reset Value: 0000 0000 (00h)

|         |   |   |   |   |   |   |   |
|---------|---|---|---|---|---|---|---|
| 7       |   |   |   |   |   |   | 0 |
| PLLdiv2 | 0 | 0 | 0 | 0 | 0 | 0 | 0 |

#### Bit 7 : **PLLdiv2** PLL clock divide by 2

This bit is read or write by software and cleared by hardware after reset. This bit will divide the PLL output clock by 2.

0 : PLL output clock

1 : Divide by 2 of PLL output clock

Refer "Clock Management Block Diagram" on page 26

**Note** : Write of this bit will be effective after 2 Tcpu cycles (if system clock is 8mhz) else 1 cycle (if system clock is 4mhz) i.e. effective time is 250ns.

Bit 6:0 : Reserved , Must always be cleared

## 8 INTERRUPTS

The ST7 core may be interrupted by one of two different methods: Maskable hardware interrupts as listed in the “interrupt mapping” table and a non-maskable software interrupt (TRAP). The Interrupt processing flowchart is shown in [Figure 1](#).

The maskable interrupts must be enabled by clearing the I bit in order to be serviced. However, disabled interrupts may be latched and processed when they are enabled (see external interrupts subsection).

**Note:** After reset, all interrupts are disabled.

When an interrupt has to be serviced:

- Normal processing is suspended at the end of the current instruction execution.
- The PC, X, A and CC registers are saved onto the stack.
- The I bit of the CC register is set to prevent additional interrupts.
- The PC is then loaded with the interrupt vector of the interrupt to service and the first instruction of the interrupt service routine is fetched (refer to the Interrupt Mapping table for vector addresses).

The interrupt service routine should finish with the IRET instruction which causes the contents of the saved registers to be recovered from the stack.

**Note:** As a consequence of the IRET instruction, the I bit is cleared and the main program resumes.

### Priority Management

By default, a servicing interrupt cannot be interrupted because the I bit is set by hardware entering in interrupt routine.

In the case when several interrupts are simultaneously pending, an hardware priority defines which one will be serviced first (see the Interrupt Mapping table).

### Interrupts and Low Power Mode

All interrupts allow the processor to leave the WAIT low power mode. Only external and specifically mentioned interrupts allow the processor to leave the HALT low power mode (refer to the “Exit from HALT” column in the Interrupt Mapping table).

### 8.1 NON MASKABLE SOFTWARE INTERRUPT

This interrupt is entered when the TRAP instruction is executed regardless of the state of the I bit. It is serviced according to the flowchart in [Figure 1](#).

### 8.2 EXTERNAL INTERRUPTS

External interrupt vectors can be loaded into the PC register if the corresponding external interrupt occurred and if the I bit is cleared. These interrupts allow the processor to leave the HALT low power mode.

The external interrupt polarity is selected through the miscellaneous register or interrupt register (if available).

An external interrupt triggered on edge will be latched and the interrupt request automatically cleared upon entering the interrupt service routine.

**Caution:** The type of sensitivity defined in the Miscellaneous or Interrupt register (if available) applies to the ei source. In case of a Nanded source (as described in the I/O ports section), a low level on an I/O pin, configured as input with interrupt, masks the interrupt request even in case of rising-edge sensitivity.

### 8.3 PERIPHERAL INTERRUPTS

Different peripheral interrupt flags in the status register are able to cause an interrupt when they are active if both:

- The I bit of the CC register is cleared.
- The corresponding enable bit is set in the control register.

If any of these two conditions is false, the interrupt is latched and thus remains pending.

Clearing an interrupt request is done by:

- Writing “0” to the corresponding bit in the status register or
- Access to the status register while the flag is set followed by a read or write of an associated register.

**Note:** The clearing sequence resets the internal latch. A pending interrupt (that is, waiting for being enabled) will therefore be lost if the clear sequence is executed.

## INTERRUPTS (cont'd)

Figure 21. Interrupt Processing Flowchart

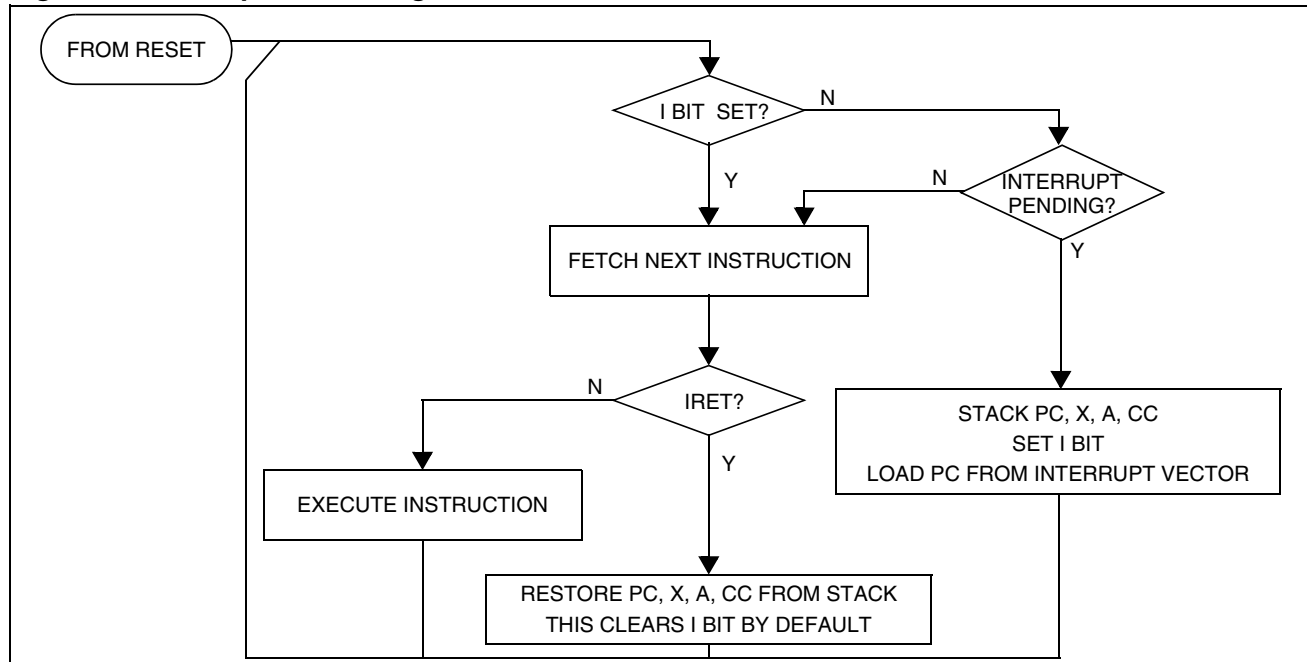


Table 5. Interrupt Mapping

| N° | Source Block | Description  | Register Label   | Priority Order                           | Exit from HALT or AWUFH | Address Vector |
|----|--------------|--|------------------|--|-------------------------|----------------|
|    | RESET        | Reset  | N/A              | Highest Priority<br>↓<br>Lowest Priority | yes                     | FFFEh-FFFFh    |
|    | TRAP         | Software Interrupt   |                  |  | no                      | FFFCh-FFFDh    |
| 0  | AWU          | Auto Wake Up Interrupt                                       | AWUCSR           |  | yes <sup>1)</sup>       | FFFAh-FFFBh    |
| 1  | ei0          | External Interrupt 0   | N/A              |  | yes                     | FFF8h-FFF9h    |
| 2  | ei1          | External Interrupt 1   |                  |  |                         | FFF6h-FFF7h    |
| 3  | ei2          | External Interrupt 2   |                  |  |                         | FFF4h-FFF5h    |
| 4  | ei3          | External Interrupt 3   |                  |  |                         | FFF2h-FFF3h    |
| 5  | LITE TIMER   | LITE TIMER RTC2 interrupt                                    | LTCSR2           |  | no                      | FFF0h-FFF1h    |
| 6  | Comparator   | Comparator Interrupt   | CMPCR            |  | no                      | FFEEh-FFEFh    |
| 7  | SI           | AVD interrupt  | SICSR            |  | no                      | FFEC h-FFEDh   |
| 8  | AT TIMER     | AT TIMER Output Compare Interrupt or Input Capture Interrupt | PWMxCSR or ATCSR |  | no                      | FFEAh-FFEBh    |
| 9  |              | AT TIMER Overflow Interrupt                                  | ATCSR            |  | yes <sup>2)</sup>       | FFE8h-FFE9h    |
| 10 | LITE TIMER   | LITE TIMER Input Capture Interrupt                           | LTCSR            |  | no                      | FFE6h-FFE7h    |
| 11 |              | LITE TIMER RTC1 Interrupt                                    | LTCSR            | yes <sup>2)</sup>                        | FFE4h-FFE5h             |                |
| 12 | SPI          | SPI Peripheral Interrupts                                    | SPICSR           | yes                                      | FFE2h-FFE3h             |                |
| 13 | AT TIMER     | AT TIMER Overflow Interrupt                                  | ATCSR2           | no                                       | FFE0h-FFE1h             |                |

**Note 1:** This interrupt exits the MCU from "Auto Wake-up from Halt" mode only.

**Note 2:** These interrupts exit the MCU from "ACTIVE-HALT" mode only.

**INTERRUPTS (Cont'd)**

**EXTERNAL INTERRUPT CONTROL REGISTER (EICR)**

Read/Write

Reset Value: 0000 0000 (00h)

|      |      |      |      |      |      |      |      |
|------|------|------|------|------|------|------|------|
| 7    |      |      |      |      |      |      | 0    |
| IS31 | IS30 | IS21 | IS20 | IS11 | IS10 | IS01 | IS00 |

Bits 7:6 = **IS3[1:0]** *ei3 sensitivity*  
 These bits define the interrupt sensitivity for ei3 (Port B0) according to [Table 6](#).

Bits 5:4 = **IS2[1:0]** *ei2 sensitivity*  
 These bits define the interrupt sensitivity for ei2 (Port B3) according to [Table 6](#).

Bits 3:2 = **IS1[1:0]** *ei1 sensitivity*  
 These bits define the interrupt sensitivity for ei1 (Port A7) according to [Table 6](#).

Bits 1:0 = **IS0[1:0]** *ei0 sensitivity*  
 These bits define the interrupt sensitivity for ei0 (Port A0) according to [Table 6](#).

**Notes:**

1. These 8 bits can be written only when the I bit in the CC register is set.
2. Changing the sensitivity of a particular external interrupt clears this pending interrupt. This can be used to clear unwanted pending interrupts. Refer to section "External Interrupt Function" on page 48.

**Table 6. Interrupt Sensitivity Bits**

| ISx1 | ISx0 | External Interrupt Sensitivity |
|------|------|--------------------------------|
| 0    | 0    | Falling edge & low level       |
| 0    | 1    | Rising edge only               |
| 1    | 0    | Falling edge only              |
| 1    | 1    | Rising and falling edge        |

**EXTERNAL INTERRUPT SELECTION REGISTER (EISR)**

Read/Write

Reset Value: 0000 1100 (0Ch)

|      |      |      |      |      |      |      |      |
|------|------|------|------|------|------|------|------|
| 7    |      |      |      |      |      |      | 0    |
| ei31 | ei30 | ei21 | ei20 | ei11 | ei10 | ei01 | ei00 |

Bits 7:6 = **ei3[1:0]** *ei3 pin selection*  
 These bits are written by software. They select the Port B I/O pin used for the ei3 external interrupt according to the table below.

**External Interrupt I/O pin selection**

| ei31 | ei30 | I/O Pin           |
|------|------|-------------------|
| 0    | 0    | PB0 <sup>1)</sup> |
| 0    | 1    | PB1               |
| 1    | 0    | PB2               |

**Note:**

1. Reset State

Bits 5:4 = **ei2[1:0]** *ei2 pin selection*  
 These bits are written by software. They select the Port B I/O pin used for the ei2 external interrupt according to the table below.

**External Interrupt I/O pin selection**

| ei21 | ei20 | I/O Pin           |
|------|------|-------------------|
| 0    | 0    | PB3 <sup>1)</sup> |
| 0    | 1    | PB4 <sup>2)</sup> |
| 1    | 0    | PB5               |
| 1    | 1    | PB6               |

**Notes:**

1. Reset State
2. PB4 cannot be used as an external interrupt in HALT mode.

**INTERRUPTS (Cont'd)**

Bit 3:2 = **ei1[1:0]** *ei1 pin selection*

These bits are written by software. They select the Port A I/O pin used for the ei1 external interrupt according to the table below.

**External Interrupt I/O pin selection**

| ei11 | ei10 | I/O Pin |
|------|------|---------|
| 0    | 0    | PA4     |
| 0    | 1    | PA5     |
| 1    | 0    | PA6     |
| 1    | 1    | PA7*    |

\* Reset State

Bit 1:0 = **ei0[1:0]** *ei0 pin selection*

These bits are written by software. They select the Port A I/O pin used for the ei0 external interrupt according to the table below.

**External Interrupt I/O pin selection**

| ei01 | ei00 | I/O Pin |
|------|------|---------|
| 0    | 0    | PA0 *   |
| 0    | 1    | PA1     |
| 1    | 0    | PA2     |
| 1    | 1    | PA3     |

\* Reset State

## 9 POWER SAVING MODES

### 9.1 INTRODUCTION

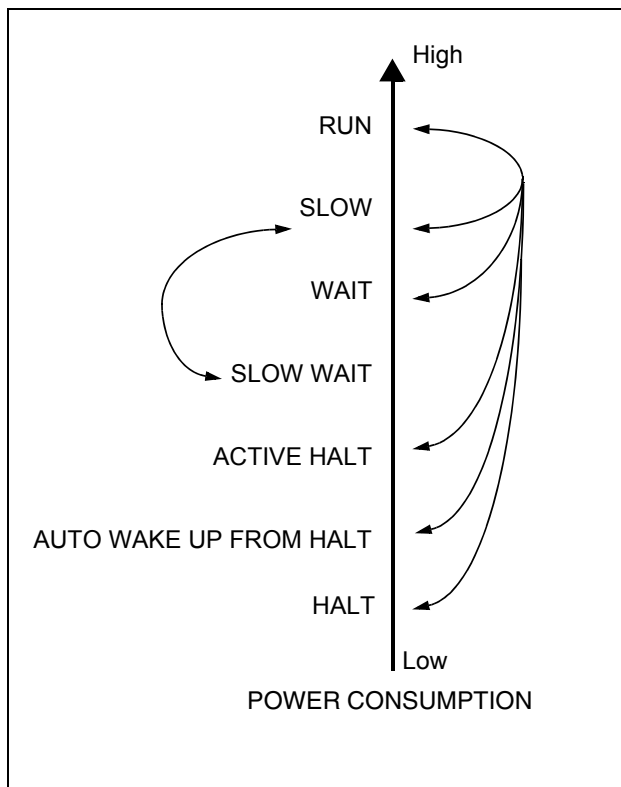
To give a large measure of flexibility to the application in terms of power consumption, five main power saving modes are implemented in the ST7 (see Figure 22):

- Slow
- Wait (and Slow-Wait)
- Active Halt
- Auto Wake up From Halt (AWUFH)
- Halt

After a RESET the normal operating mode is selected by default (RUN mode). This mode drives the device (CPU and embedded peripherals) by means of a master clock which is based on the main oscillator frequency divided or multiplied by 2 ( $f_{OSC2}$ ).

From RUN mode, the different power saving modes may be selected by setting the relevant register bits or by calling the specific ST7 software instruction whose action depends on the oscillator status.

**Figure 22. Power Saving Mode Transitions**



### 9.2 SLOW MODE

This mode has two targets:

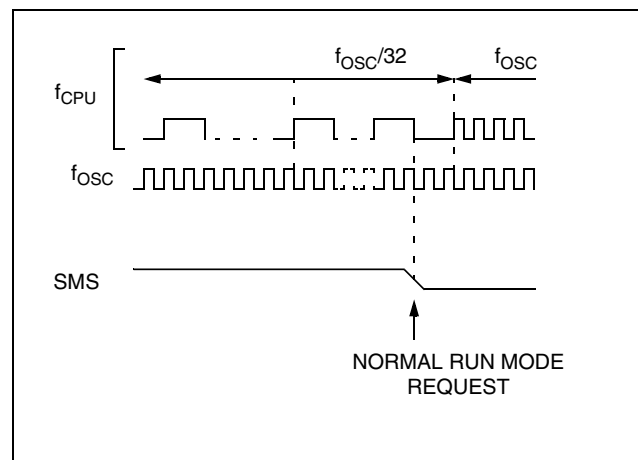
- To reduce power consumption by decreasing the internal clock in the device,
- To adapt the internal clock frequency ( $f_{CPU}$ ) to the available supply voltage.

SLOW mode is controlled by the SMS bit in the MCCR register which enables or disables Slow mode.

In this mode, the oscillator frequency is divided by 32. The CPU and peripherals are clocked at this lower frequency.

**Note:** SLOW-WAIT mode is activated when entering WAIT mode while the device is already in SLOW mode.

**Figure 23. SLOW Mode Clock Transition**





## POWER SAVING MODES (Cont'd)

## 9.3 WAIT MODE

WAIT mode places the MCU in a low power consumption mode by stopping the CPU.

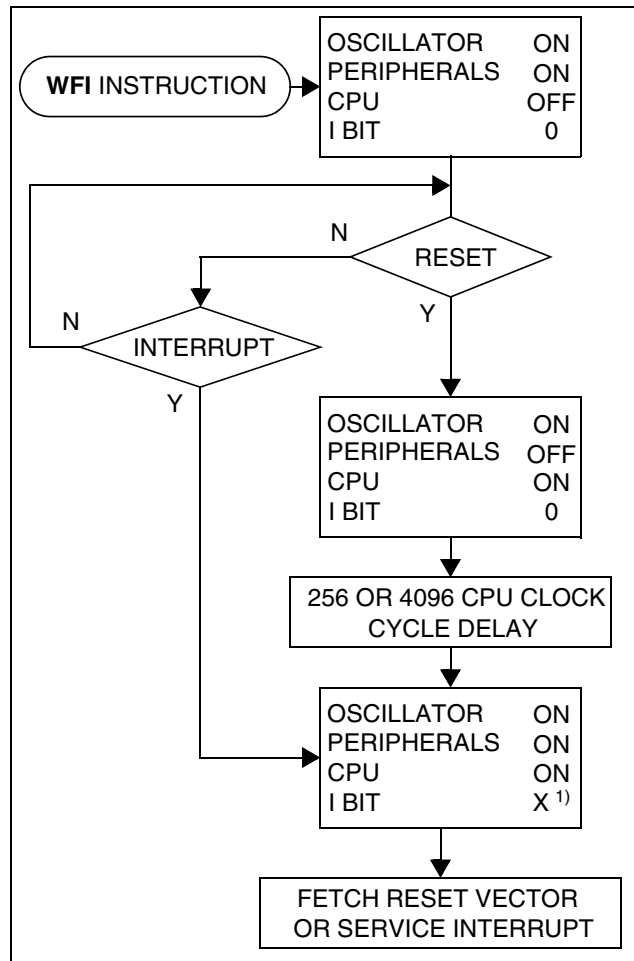
This power saving mode is selected by calling the 'WFI' instruction.

All peripherals remain active. During WAIT mode, the I bit of the CC register is cleared, to enable all interrupts. All other registers and memory remain unchanged. The MCU remains in WAIT mode until an interrupt or RESET occurs, whereupon the Program Counter branches to the starting address of the interrupt or Reset service routine.

The MCU will remain in WAIT mode until a Reset or an Interrupt occurs, causing it to wake up.

Refer to [Figure 24](#).

Figure 24. WAIT Mode Flow-chart



**Note:**

1. Before servicing an interrupt, the CC register is pushed on the stack. The I bit of the CC register is set during the interrupt routine and cleared when the CC register is popped.

POWER SAVING MODES (Cont'd)

9.4 HALT MODE

The HALT mode is the lowest power consumption mode of the MCU. It is entered by executing the 'HALT' instruction when ACTIVE-HALT is disabled (see section 9.5 on page 43 for more details) and when the AWUEN bit in the AWUCSR register is cleared.

The MCU can exit HALT mode on reception of either a specific interrupt (see Table 5, "Interrupt Mapping," on page 37) or a RESET. When exiting HALT mode by means of a RESET or an interrupt, the oscillator is immediately turned on and the 256 or 4096 CPU cycle delay is used to stabilize the oscillator. After the start up delay, the CPU resumes operation by servicing the interrupt or by fetching the reset vector which woke it up (see Figure 26).

When entering HALT mode, the I bit in the CC register is forced to 0 to enable interrupts. Therefore, if an interrupt is pending, the MCU wakes up immediately.

In HALT mode, the main oscillator is turned off causing all internal processing to be stopped, including the operation of the on-chip peripherals. All peripherals are not clocked except the ones which get their clock supply from another clock generator (such as an external or auxiliary oscillator).

The compatibility of Watchdog operation with HALT mode is configured by the "WDGHALT" option bit of the option byte. The HALT instruction when executed while the Watchdog system is enabled, can generate a Watchdog RESET (see section 15.1 on page 149 for more details).

Figure 25. HALT Timing Overview

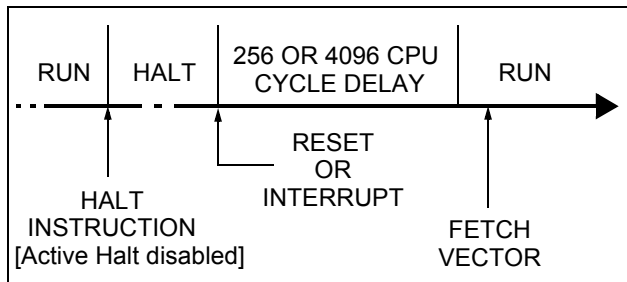
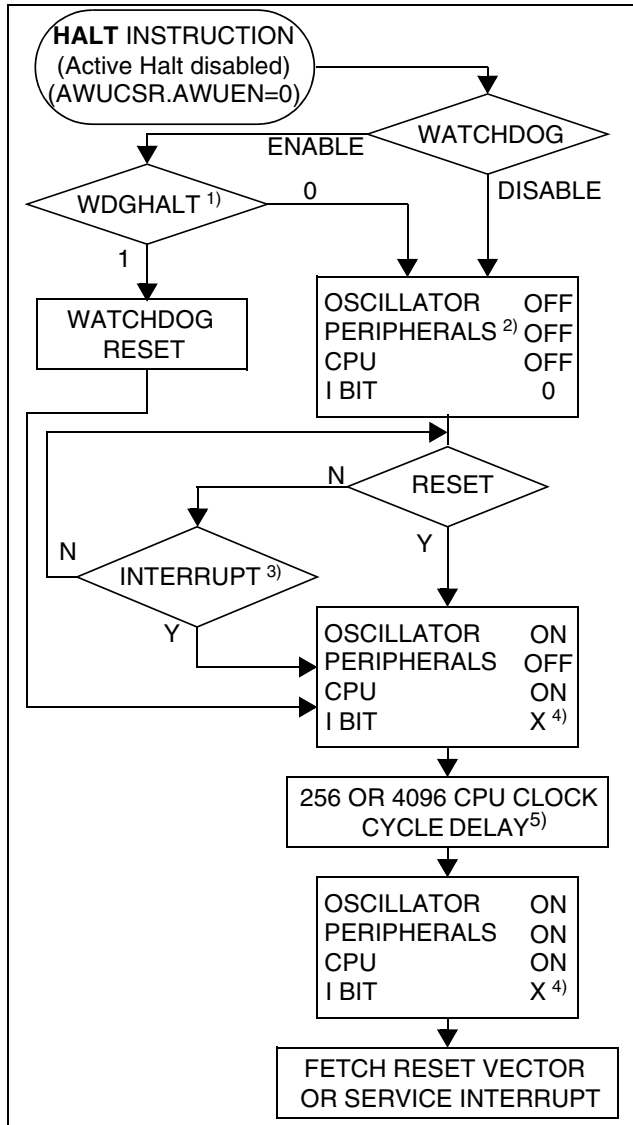


Figure 26. HALT Mode Flow-chart



Notes:

1. WDGHALT is an option bit. See option byte section for more details.
2. Peripheral clocked with an external clock source can still be active.
3. Only some specific interrupts can exit the MCU from HALT mode (such as external interrupt). Refer to Table 5 Interrupt Mapping for more details.
4. Before servicing an interrupt, the CC register is pushed on the stack. The I bit of the CC register is set during the interrupt routine and cleared when the CC register is popped.
5. If the PLL is enabled by option byte, it outputs the clock after a delay of  $t_{STARTUP}$  (see Figure 13).

## POWER SAVING MODES (Cont'd)

### 9.4.1 Halt Mode Recommendations

- Make sure that an external event is available to wake up the microcontroller from Halt mode.
- When using an external interrupt to wake up the microcontroller, re-initialize the corresponding I/O as “Input Pull-up with Interrupt” before executing the HALT instruction. The main reason for this is that the I/O may be wrongly configured due to external interference or by an unforeseen logical condition.
- For the same reason, re-initialize the level sensitivity of each external interrupt as a precautionary measure.
- The opcode for the HALT instruction is 0x8E. To avoid an unexpected HALT instruction due to a program counter failure, it is advised to clear all occurrences of the data value 0x8E from memory. For example, avoid defining a constant in program memory with the value 0x8E.
- As the HALT instruction clears the interrupt mask in the CC register to allow interrupts, the user may choose to clear all pending interrupt bits before executing the HALT instruction. This avoids entering other peripheral interrupt routines after executing the external interrupt routine corresponding to the wake-up event (reset or external interrupt).

### 9.5 ACTIVE-HALT MODE

ACTIVE-HALT mode is the lowest power consumption mode of the MCU with a real time clock available. It is entered by executing the ‘HALT’ instruction. The decision to enter either in ACTIVE-HALT or HALT mode is given by the LTCSR/ATCSR register status as shown in the following table:

| LTCSR1 TB1IE bit | ATCSR OVFIE bit | ATCSR CK1 bit | ATCSR CK0 bit | Meaning                   |
|------------------|-----------------|---------------|---------------|---------------------------|
| 0                | x               | x             | 0             | ACTIVE-HALT mode disabled |
| 0                | 0               | x             | x             |                           |
| 1                | x               | x             | x             | ACTIVE-HALT mode enabled  |
| x                | 1               | 0             | 1             |                           |

The MCU can exit ACTIVE-HALT mode on reception of a specific interrupt (see Table 5, “Interrupt Mapping,” on page 37) or a RESET.

- When exiting ACTIVE-HALT mode by means of a RESET, a 256 or 4096 CPU cycle delay occurs. After the start up delay, the CPU resumes operation by fetching the reset vector which woke it up (see [Figure 28](#)).
- When exiting ACTIVE-HALT mode by means of an interrupt, the CPU immediately resumes operation by servicing the interrupt vector which woke it up (see [Figure 28](#)).

When entering ACTIVE-HALT mode, the I bit in the CC register is cleared to enable interrupts. Therefore, if an interrupt is pending, the MCU wakes up immediately (see Note 3).

In ACTIVE-HALT mode, only the main oscillator and the selected timer counter (LT/AT) are running to keep a wake-up time base. All other peripherals are not clocked except those which get their clock supply from another clock generator (such as external or auxiliary oscillator).

**Note:** As soon as ACTIVE-HALT is enabled, executing a HALT instruction while the Watchdog is active does not generate a RESET. This means that the device cannot spend more than a defined delay in this power saving mode.

POWER SAVING MODES (Cont'd)

Figure 27. ACTIVE-HALT Timing Overview

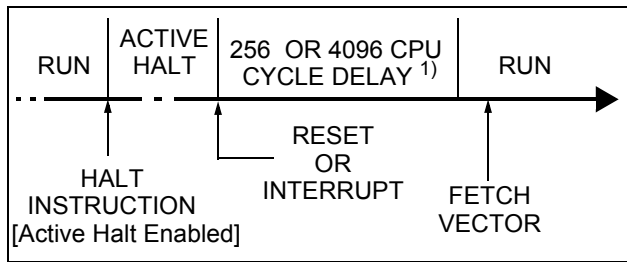
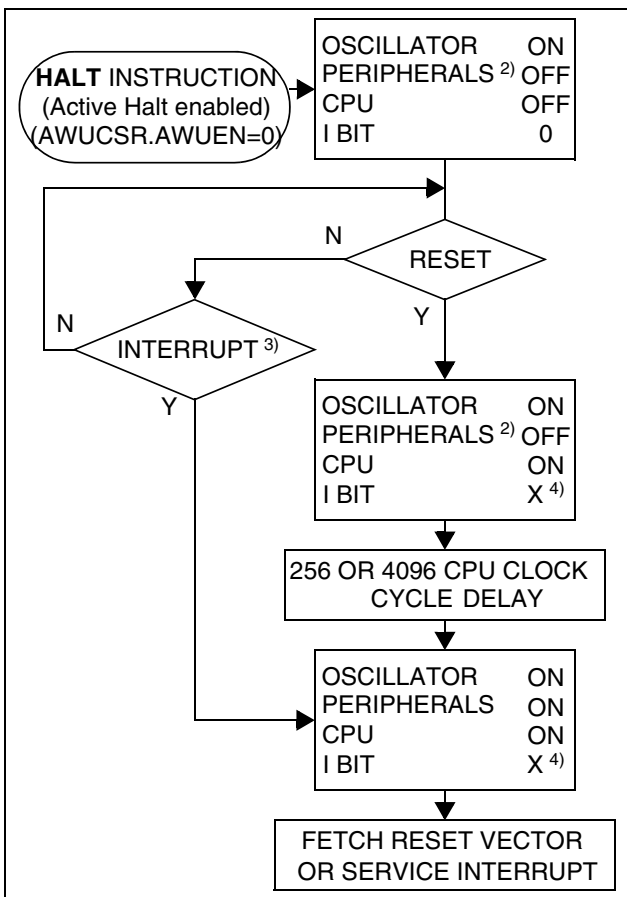


Figure 28. ACTIVE-HALT Mode Flow-chart



Notes:

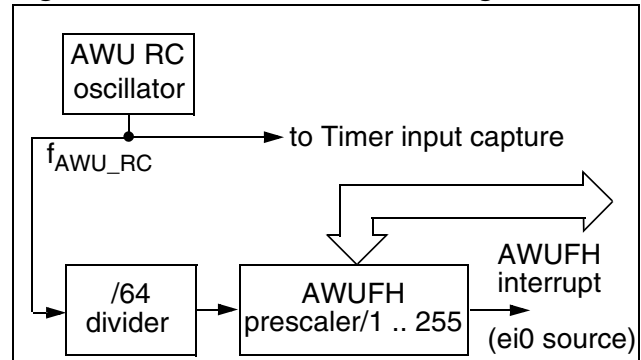
1. This delay occurs only if the MCU exits ACTIVE-HALT mode by means of a RESET.
2. Peripherals clocked with an external clock source can still be active.
3. Only the RTC1 interrupt and some specific interrupts can exit the MCU from ACTIVE-HALT mode. Refer to Table 5, "Interrupt Mapping," on page 37 for more details.
4. Before servicing an interrupt, the CC register is pushed on the stack. The I bit of the CC register is set during the interrupt routine and cleared when the CC register is popped.

9.6 AUTO WAKE UP FROM HALT MODE

Auto Wake Up From Halt (AWUFH) mode is similar to Halt mode with the addition of a specific internal RC oscillator for wake-up (Auto Wake Up from Halt Oscillator). Compared to ACTIVE-HALT mode, AWUFH has lower power consumption (the main clock is not kept running, but there is no accurate realtime clock available).

It is entered by executing the HALT instruction when the AWUEN bit in the AWUCSR register has been set.

Figure 29. AWUFH Mode Block Diagram



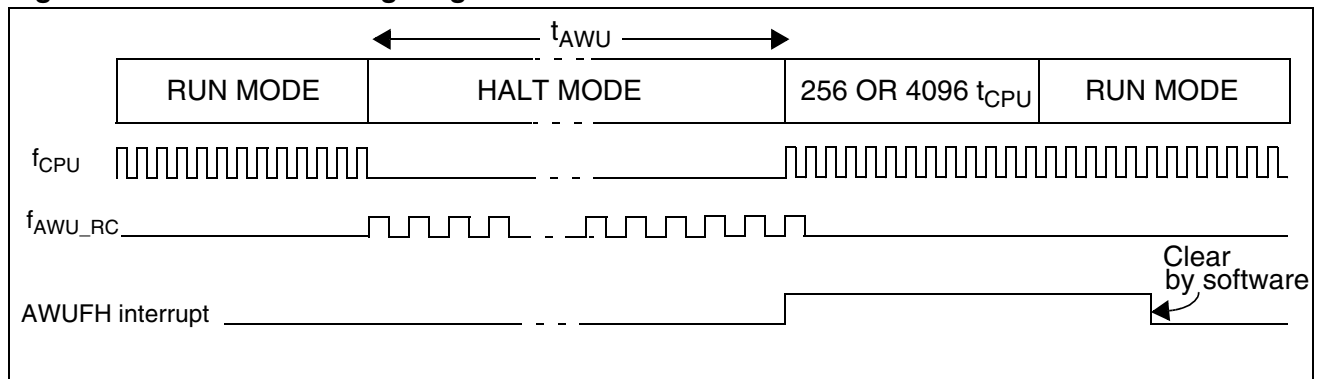
As soon as HALT mode is entered, and if the AWUEN bit has been set in the AWUCSR register, the AWU RC oscillator provides a clock signal ( $f_{AWU\_RC}$ ). Its frequency is divided by a fixed divider and a programmable prescaler controlled by the AWUPR register. The output of this prescaler provides the delay time. When the delay has elapsed the AWUF flag is set by hardware and an interrupt wakes-up the MCU from Halt mode. At the same time the main oscillator is immediately turned on and a 256 or 4096 cycle delay is used to stabilize it. After this start-up delay, the CPU resumes operation by servicing the AWUFH interrupt. The AWU flag and its associated interrupt are cleared by software reading the AWUCSR register.

To compensate for any frequency dispersion of the AWU RC oscillator, it can be calibrated by measuring the clock frequency  $f_{AWU\_RC}$  and then calculating the right prescaler value. Measurement mode is enabled by setting the AWUM bit in the AWUCSR register in Run mode. This connects  $f_{AWU\_RC}$  to the input capture of the 12-bit Auto-Reload timer, allowing the  $f_{AWU\_RC}$  to be measured using the main oscillator clock as a reference time-base.

**POWER SAVING MODES (Cont'd)****Similarities with Halt mode**

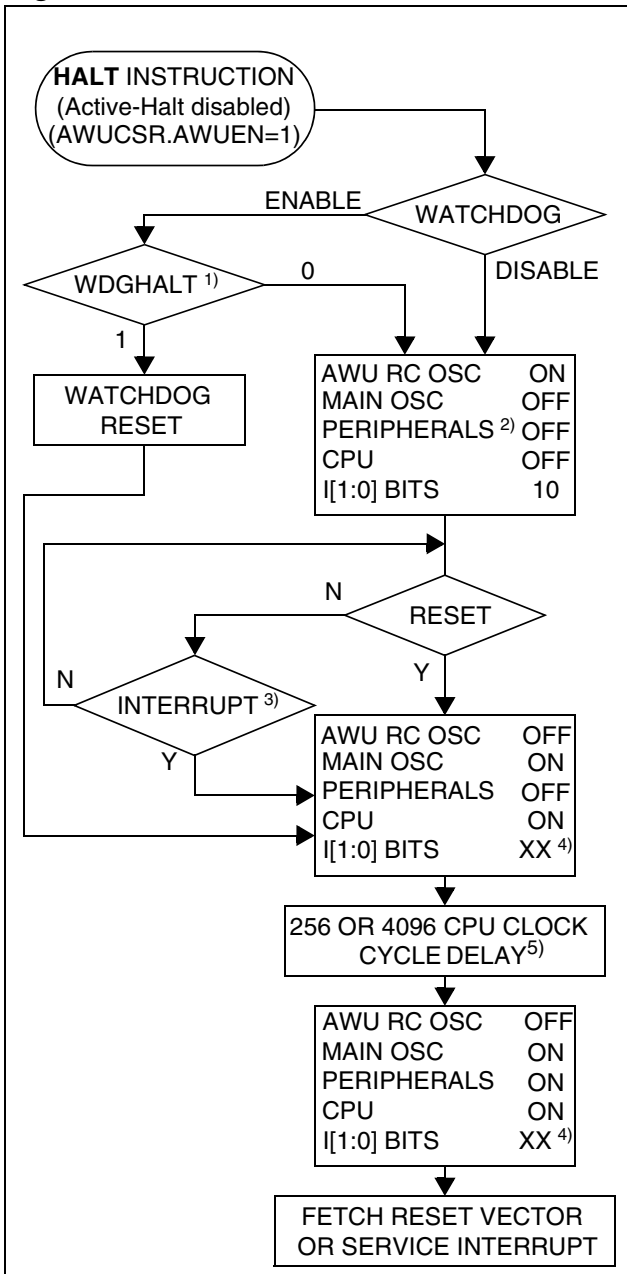
The following AWUFH mode behaviour is the same as normal Halt mode:

- The MCU can exit AWUFH mode by means of any interrupt with exit from Halt capability or a reset (see [Section 9.4 HALT MODE](#)).
- When entering AWUFH mode, the I bit in the CC register is forced to 0 to enable interrupts. Therefore, if an interrupt is pending, the MCU wakes up immediately.
- In AWUFH mode, the main oscillator is turned off causing all internal processing to be stopped, including the operation of the on-chip peripherals. None of the peripherals are clocked except those which get their clock supply from another clock generator (such as an external or auxiliary oscillator like the AWU oscillator).
- The compatibility of Watchdog operation with AWUFH mode is configured by the WDGHALT option bit in the option byte. Depending on this setting, the HALT instruction when executed while the Watchdog system is enabled, can generate a Watchdog RESET.

**Figure 30. AWUF Halt Timing Diagram**

POWER SAVING MODES (Cont'd)

Figure 31. AWUFH Mode Flow-chart



Notes:

1. WDGHALT is an option bit. See option byte section for more details.
2. Peripheral clocked with an external clock source can still be active.
3. Only an AWUFH interrupt and some specific interrupts can exit the MCU from HALT mode (such as external interrupt). Refer to Table 5, "Interrupt Mapping," on page 37 for more details.
4. Before servicing an interrupt, the CC register is pushed on the stack. The I[1:0] bits of the CC register are set to the current software priority level of the interrupt routine and recovered when the CC register is popped.
5. If the PLL is enabled by option byte, it outputs the clock after an additional delay of  $t_{STARTUP}$  (see Figure 13).

## POWER SAVING MODES (Cont'd)

## 9.6.0.1 Register Description

**AWUFH CONTROL/STATUS REGISTER (AWUCSR)**

Read/Write

Reset Value: 0000 0000 (00h)

|   |   |   |   |   |          |          |           |
|---|---|---|---|---|----------|----------|-----------|
| 7 |   |   |   |   |          | 0        |           |
| 0 | 0 | 0 | 0 | 0 | AWU<br>F | AWU<br>M | AWU<br>EN |

Bits 7:3 = Reserved.

**Bit 1= AWUF Auto Wake Up Flag**

This bit is set by hardware when the AWU module generates an interrupt and cleared by software on reading AWUCSR. Writing to this bit does not change its value.

0: No AWU interrupt occurred

1: AWU interrupt occurred

**Bit 1= AWUM Auto Wake Up Measurement**

This bit enables the AWU RC oscillator and connects its output to the input capture of the 12-bit Auto-Reload timer. This allows the timer to be used to measure the AWU RC oscillator dispersion and then compensate this dispersion by providing the right value in the AWUPRE register.

0: Measurement disabled

1: Measurement enabled

**Bit 0 = AWUEN Auto Wake Up From Halt Enabled**

This bit enables the Auto Wake Up From Halt feature: once HALT mode is entered, the AWUFH wakes up the microcontroller after a time delay dependent on the AWU prescaler value. It is set and cleared by software.

0: AWUFH (Auto Wake Up From Halt) mode disabled

1: AWUFH (Auto Wake Up From Halt) mode enabled

**AWUFH PRESCALER REGISTER (AWUPR)**

Read/Write

Table 7. AWU Register Map and Reset Values

| Address (Hex.) | Register Label               | 7           | 6           | 5           | 4           | 3           | 2           | 1           | 0           |
|----------------|------------------------------|-------------|-------------|-------------|-------------|-------------|-------------|-------------|-------------|
| 0049h          | <b>AWUPR</b><br>Reset Value  | AWUPR7<br>1 | AWUPR6<br>1 | AWUPR5<br>1 | AWUPR4<br>1 | AWUPR3<br>1 | AWUPR2<br>1 | AWUPR1<br>1 | AWUPR0<br>1 |
| 004Ah          | <b>AWUCSR</b><br>Reset Value | 0           | 0           | 0           | 0           | 0           | AWUF        | AWUM        | AWUEN       |

7

0

|            |            |            |            |            |            |            |            |
|------------|------------|------------|------------|------------|------------|------------|------------|
| AWU<br>PR7 | AWU<br>PR6 | AWU<br>PR5 | AWU<br>PR4 | AWU<br>PR3 | AWU<br>PR2 | AWU<br>PR1 | AWU<br>PR0 |
|------------|------------|------------|------------|------------|------------|------------|------------|

Bits 7:0= **AWUPR[7:0] Auto Wake Up Prescaler**  
These 8 bits define the AWUPR Dividing factor (as explained below):

| AWUPR[7:0] | Dividing factor |
|------------|-----------------|
| 00h        | Forbidden       |
| 01h        | 1               |
| ...        | ...             |
| FEh        | 254             |
| FFh        | 255             |

In AWU mode, the period that the MCU stays in Halt Mode ( $t_{AWU}$  in Figure 30 on page 45) is defined by

$$t_{AWU} = 64 \times AWUPR \times \frac{1}{f_{AWURC}} + t_{RCSTRT}$$

This prescaler register can be programmed to modify the time that the MCU stays in Halt mode before waking up automatically.

**Note:** If 00h is written to AWUPR, depending on the product, an interrupt is generated immediately after a HALT instruction, or the AWUPR remains unchanged.

## 10 I/O PORTS

### 10.1 INTRODUCTION

The I/O ports allow data transfer. An I/O port can contain up to 8 pins. Each pin can be programmed independently either as a digital input or digital output. In addition, specific pins may have several other functions. These functions can include external interrupt, alternate signal input/output for on-chip peripherals or analog input.

### 10.2 FUNCTIONAL DESCRIPTION

A Data Register (DR) and a Data Direction Register (DDR) are always associated with each port. The Option Register (OR), which allows input/output options, may or may not be implemented. The following description takes into account the OR register. Refer to the Port Configuration table for device specific information.

An I/O pin is programmed using the corresponding bits in the DDR, DR and OR registers: bit *x* corresponding to pin *x* of the port.

Figure 32 shows the generic I/O block diagram.

#### 10.2.1 Input Modes

Clearing the DDR<sub>x</sub> bit selects input mode. In this mode, reading its DR bit returns the digital value from that I/O pin.

If an OR bit is available, different input modes can be configured by software: floating or pull-up. Refer to I/O Port Implementation section for configuration.

#### Notes:

1. Writing to the DR modifies the latch value but does not change the state of the input pin.
2. Do not use read/modify/write instructions (BSET/BRES) to modify the DR register.

#### 10.2.1.1 External Interrupt Function

Depending on the device, setting the OR<sub>x</sub> bit while in input mode can configure an I/O as an input with interrupt. In this configuration, a signal edge or level input on the I/O generates an interrupt request via the corresponding interrupt vector (e<sub>ix</sub>).

Falling or rising edge sensitivity is programmed independently for each interrupt vector. The External Interrupt Control Register (EICR) or the Miscellaneous Register controls this sensitivity, depending on the device.

Each external interrupt vector is linked to a dedicated group of I/O port pins (see pinout description and interrupt section). If several I/O interrupt pins on the same interrupt vector are selected simultaneously, they are logically combined. For this rea-

son if one of the interrupt pins is tied low, it may mask the others.

External interrupts are hardware interrupts. Fetching the corresponding interrupt vector automatically clears the request latch. Changing the sensitivity of a particular external interrupt clears this pending interrupt. This can be used to clear unwanted pending interrupts.

#### Spurious interrupts

When enabling/disabling an external interrupt by setting/resetting the related OR register bit, a spurious interrupt is generated if the pin level is low and its edge sensitivity includes falling/rising edge. This is due to the edge detector input which is switched to '1' when the external interrupt is disabled by the OR register.

To avoid this unwanted interrupt, a "safe" edge sensitivity (rising edge for enabling and falling edge for disabling) has to be selected before changing the OR register bit and configuring the appropriate sensitivity again.

**Caution:** In case a pin level change occurs during these operations (asynchronous signal input), as interrupts are generated according to the current sensitivity, it is advised to disable all interrupts before and to reenble them after the complete previous sequence in order to avoid an external interrupt occurring on the unwanted edge.

This corresponds to the following steps:

1. To enable an external interrupt:
  - set the interrupt mask with the SIM instruction (in cases where a pin level change could occur)
  - select rising edge
  - enable the external interrupt through the OR register
  - select the desired sensitivity if different from rising edge
  - reset the interrupt mask with the RIM instruction (in cases where a pin level change could occur)
2. To disable an external interrupt:
  - set the interrupt mask with the SIM instruction (in cases where a pin level change could occur)
  - select falling edge
  - disable the external interrupt through the OR register



- select rising edge
- reset the interrupt mask with the RIM instruction (in cases where a pin level change could occur)

### 10.2.2 Output Modes

Setting the DDRx bit selects output mode. Writing to the DR bits applies a digital value to the I/O through the latch. Reading the DR bits returns the previously stored value.

If an OR bit is available, different output modes can be selected by software: push-pull or open-drain. Refer to I/O Port Implementation section for configuration.

#### *DR Value and Output Pin Status*

| DR | Push-Pull | Open-Drain |
|----|-----------|------------|
| 0  | $V_{OL}$  | $V_{OL}$   |
| 1  | $V_{OH}$  | Floating   |

### 10.2.3 Alternate Functions

Many ST7s I/Os have one or more alternate functions. These may include output signals from, or input signals to, on-chip peripherals. The Device

Pin Description table describes which peripheral signals can be input/output to which ports.

A signal coming from an on-chip peripheral can be output on an I/O. To do this, enable the on-chip peripheral as an output (enable bit in the peripheral's control register). The peripheral configures the I/O as an output and takes priority over standard I/O programming. The I/O's state is readable by addressing the corresponding I/O data register.

Configuring an I/O as floating enables alternate function input. It is not recommended to configure an I/O as pull-up as this will increase current consumption. Before using an I/O as an alternate input, configure it without interrupt. Otherwise spurious interrupts can occur.

Configure an I/O as input floating for an on-chip peripheral signal which can be input and output.

#### **Caution:**

I/Os which can be configured as both an analog and digital alternate function need special attention. The user must control the peripherals so that the signals do not arrive at the same time on the same pin. If an external clock is used, only the clock alternate function should be employed on that I/O pin and not the other alternate function.

I/O PORTS (Cont'd)

Figure 32. I/O Port General Block Diagram

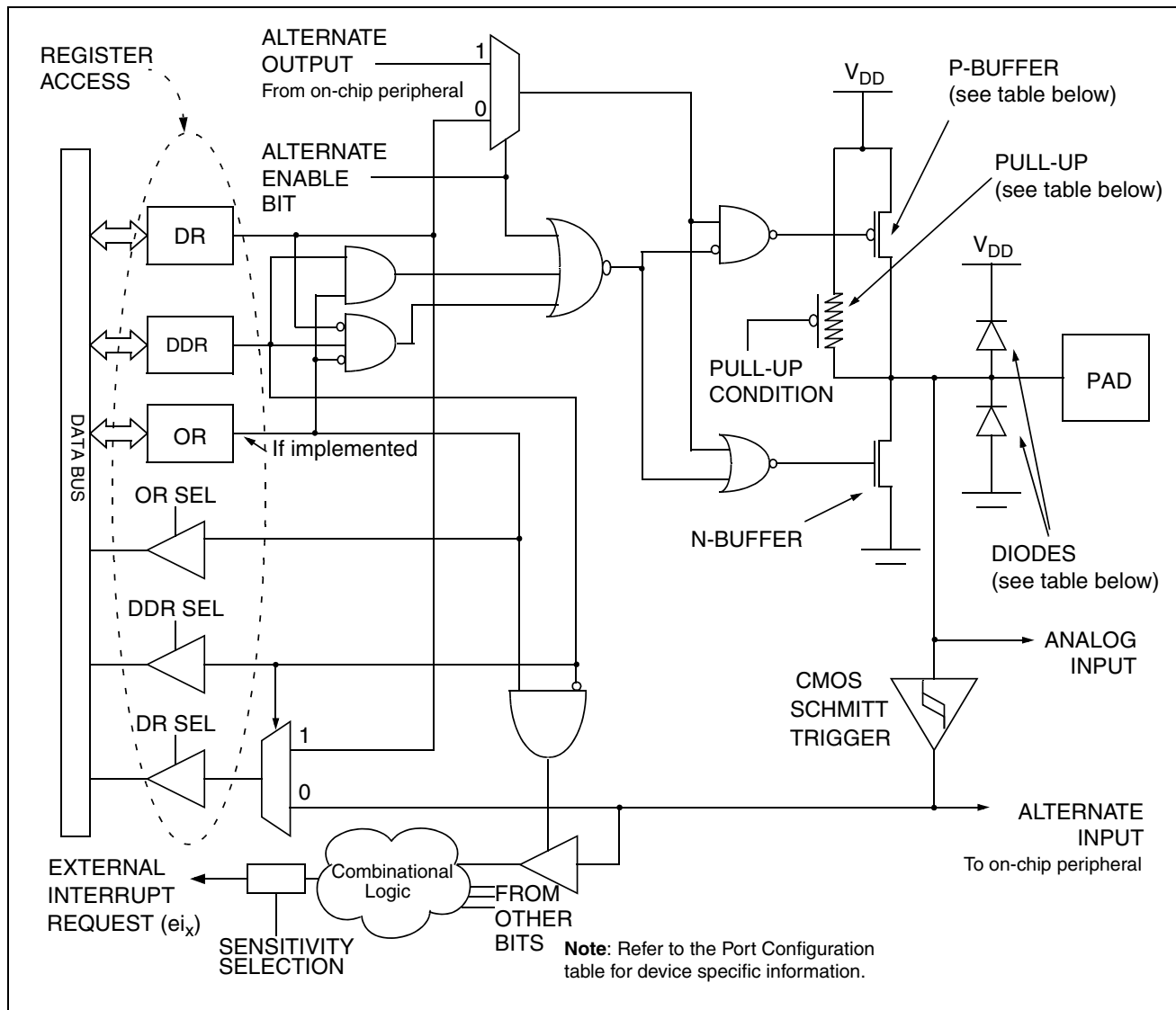


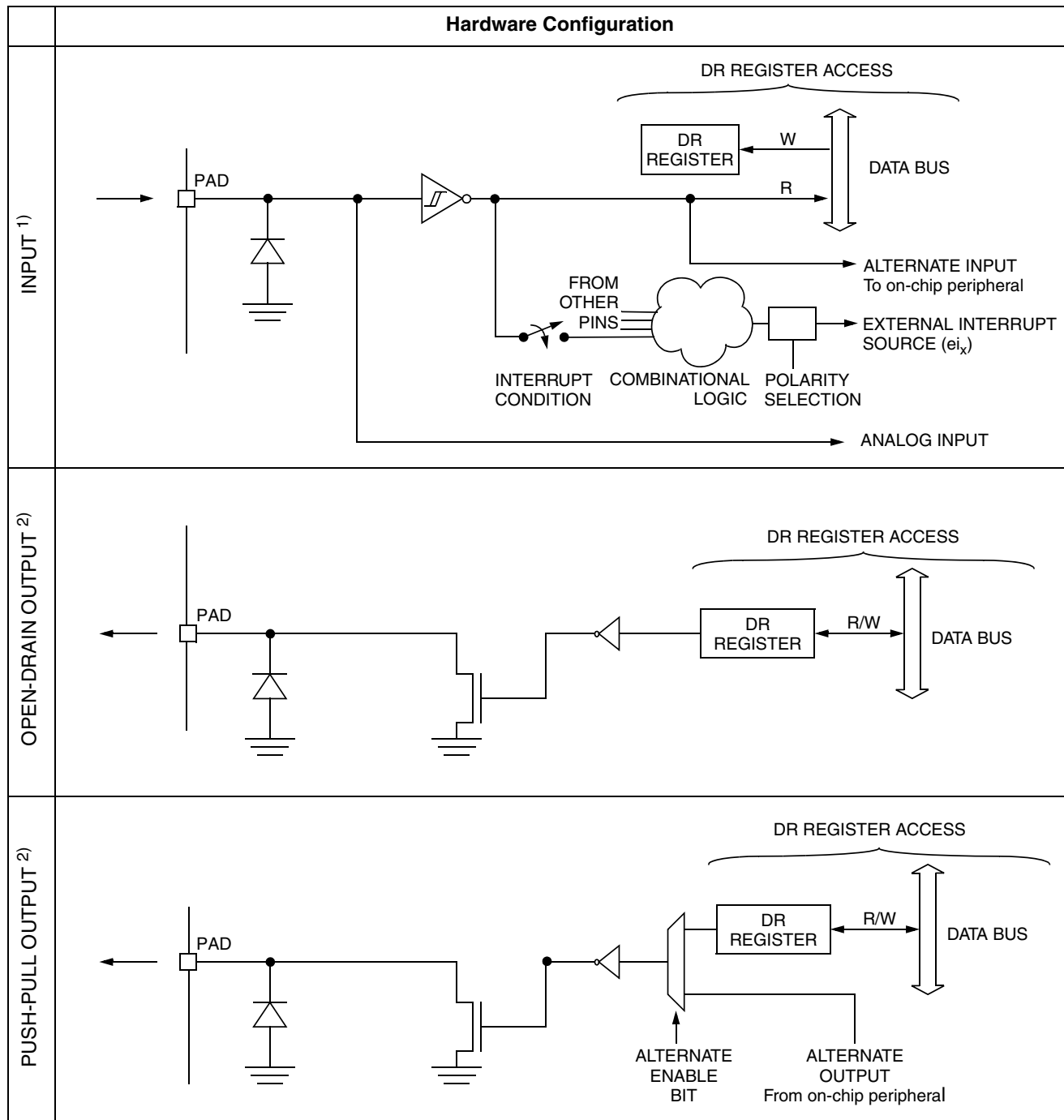
Table 8. I/O Port Mode Options

| Configuration Mode |                                 | Pull-Up | P-Buffer | Diodes             |                    |
|--------------------|---------------------------------|---------|----------|--------------------|--------------------|
|                    |                                 |         |          | to V <sub>DD</sub> | to V <sub>SS</sub> |
| Input              | Floating with/without Interrupt | Off     | Off      | On                 | On                 |
|                    | Pull-up with/without Interrupt  | On      |          |                    |                    |
| Output             | Push-pull                       | Off     | On       | On                 | On                 |
|                    | Open Drain (logic level)        |         | Off      |                    |                    |

**Legend:** Off - implemented not activated  
 On - implemented and activated

## I/O PORTS (Cont'd)

Table 9. I/O Configurations

**Notes:**

1. When the I/O port is in input configuration and the associated alternate function is enabled as an output, reading the DR register will read the alternate function output status.
2. When the I/O port is in output configuration and the associated alternate function is enabled as an input, the alternate function reads the pin status given by the DR register content.

I/O PORTS (Cont'd)

Analog alternate function

Configure the I/O as floating input to use an ADC input. The analog multiplexer (controlled by the ADC registers) switches the analog voltage present on the selected pin to the common analog rail, connected to the ADC input.

Analog Recommendations

Do not change the voltage level or loading on any I/O while conversion is in progress. Do not have clocking pins located close to a selected analog pin.

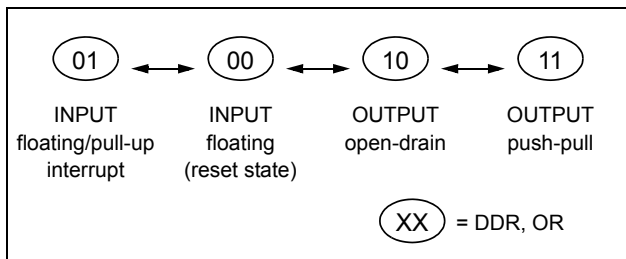
**WARNING:** The analog input voltage level must be within the limits stated in the absolute maximum ratings.

10.3 I/O PORT IMPLEMENTATION

The hardware implementation on each I/O port depends on the settings in the DDR and OR registers and specific I/O port features such as ADC input or open drain.

Switching these I/O ports from one state to another should be done in a sequence that prevents unwanted side effects. Recommended safe transitions are illustrated in Figure 33. Other transitions are potentially risky and should be avoided, since they may present unwanted side-effects such as spurious interrupt generation.

Figure 33. Interrupt I/O Port State Transitions



10.4 UNUSED I/O PINS

Unused I/O pins must be connected to fixed voltage levels. Refer to Section 13.8.

10.5 LOW POWER MODES

| Mode | Description  |
|------|--|
| WAIT | No effect on I/O ports. External interrupts cause the device to exit from WAIT mode. |
| HALT | No effect on I/O ports. External interrupts cause the device to exit from HALT mode. |

10.6 INTERRUPTS

The external interrupt event generates an interrupt if the corresponding configuration is selected with DDR and OR registers and if the I bit in the CC register is cleared (RIM instruction).

| Interrupt Event                               | Event Flag | Enable Control Bit | Exit from Wait | Exit from Halt |
|---|------------|--------------------|----------------|----------------|
| External interrupt on selected external event | -          | DDRx ORx           | Yes            | Yes            |

Related Documentation

- AN 970: SPI Communication between ST7 and EEPROM
- AN1045: S/W implementation of I2C bus master
- AN1048: Software LCD driver

## I/O PORTS (Cont'd)

## 10.7 DEVICE-SPECIFIC I/O PORT CONFIGURATION

The I/O port register configurations are summarized as follows.

## Standard Ports

## PA7:0, PB6:0

| MODE              | DDR | OR |
|-------------------|-----|----|
| floating input    | 0   | 0  |
| pull-up input     | 0   | 1  |
| open drain output | 1   | 0  |
| push-pull output  | 1   | 1  |

## PC1:0 (multiplexed with OSC1,OSC2)

| MODE             | DDR |
|------------------|-----|
| floating input   | 0   |
| push-pull output | 1   |

The selection between OSC1 or PC0 and OSC2 or PC1 is done by option byte. Refer to [section 15.1 on page 149](#). Interrupt capability is not available on PC1:0.

**Note:** PCOR not implemented but p-transistor always active in output mode (refer to [Figure 32 on page 50](#))

## Interrupt Ports

Ports where the external interrupt capability is selected using the EISR register

| MODE                    | DDR | OR |
|-------------------------|-----|----|
| floating input          | 0   | 0  |
| pull-up interrupt input | 0   | 1  |
| open drain output       | 1   | 0  |
| push-pull output        | 1   | 1  |

Table 10. Port Configuration (Standard ports)

| Port   | Pin name | Input    |         | Output     |           |
|--------|----------|----------|---------|------------|-----------|
|        |          | OR = 0   | OR = 1  | OR = 0     | OR = 1    |
| Port A | PA7:0    | floating | pull-up | open drain | push-pull |
| Port B | PB6:0    | floating | pull-up | open drain | push-pull |

**Note:** On ports where the external interrupt capability is selected using the EISR register, the configuration will be as follows:

| Port   | Pin name | Input    |                   | Output     |           |
|--------|----------|----------|-------------------|------------|-----------|
|        |          | OR = 0   | OR = 1            | OR = 0     | OR = 1    |
| Port A | PA7:0    | floating | pull-up interrupt | open drain | push-pull |
| Port B | PB6:0    | floating | pull-up interrupt | open drain | push-pull |

Table 11. I/O Port Register Map and Reset Values

| Address (Hex.) | Register Label       | 7        | 6 | 5 | 4 | 3 | 2 | 1 | 0        |
|----------------|----------------------|----------|---|---|---|---|---|---|----------|
| 0000h          | PADR<br>Reset Value  | MSB<br>1 | 1 | 1 | 1 | 1 | 1 | 1 | LSB<br>1 |
| 0001h          | PADDR<br>Reset Value | MSB<br>0 | 0 | 0 | 0 | 0 | 0 | 0 | LSB<br>0 |

| Address (Hex.) | Register Label              | 7        | 6 | 5 | 4 | 3 | 2 | 1 | 0        |
|----------------|-----------------------------|----------|---|---|---|---|---|---|----------|
| 0002h          | <b>PAOR</b><br>Reset Value  | MSB<br>0 | 1 | 0 | 0 | 0 | 0 | 0 | LSB<br>0 |
| 0003h          | <b>PBDR</b><br>Reset Value  | MSB<br>1 | 1 | 1 | 1 | 1 | 1 | 1 | LSB<br>1 |
| 0004h          | <b>PBDDR</b><br>Reset Value | MSB<br>0 | 0 | 0 | 0 | 0 | 0 | 0 | LSB<br>0 |
| 0005h          | <b>PBOR</b><br>Reset Value  | MSB<br>0 | 0 | 0 | 0 | 0 | 0 | 0 | LSB<br>0 |
| 0006h          | <b>PCDR</b><br>Reset Value  | MSB<br>0 | 0 | 0 | 0 | 0 | 0 | 1 | LSB<br>1 |
| 0007h          | <b>PCDDR</b><br>Reset Value | MSB<br>0 | 0 | 0 | 0 | 0 | 0 | 0 | LSB<br>0 |

## 10.8 MULTIPLEXED INPUT/OUTPUT PORTS

OSC1/PC0 are multiplexed on one pin (pin20) and OSC2/PC1 are multiplexed on another pin (pin 19).

## 11 ON-CHIP PERIPHERALS

### 11.1 WATCHDOG TIMER (WDG)

#### 11.1.1 Introduction

The Watchdog timer is used to detect the occurrence of a software fault, usually generated by external interference or by unforeseen logical conditions, which causes the application program to abandon its normal sequence. The Watchdog circuit generates an MCU reset on expiry of a programmed time period, unless the program refreshes the counter's contents before the T6 bit becomes cleared.

#### 11.1.2 Main Features

- Programmable free-running downcounter (64 increments of 16000 CPU cycles)
- Programmable reset
- Reset (if watchdog activated) when the T6 bit reaches zero

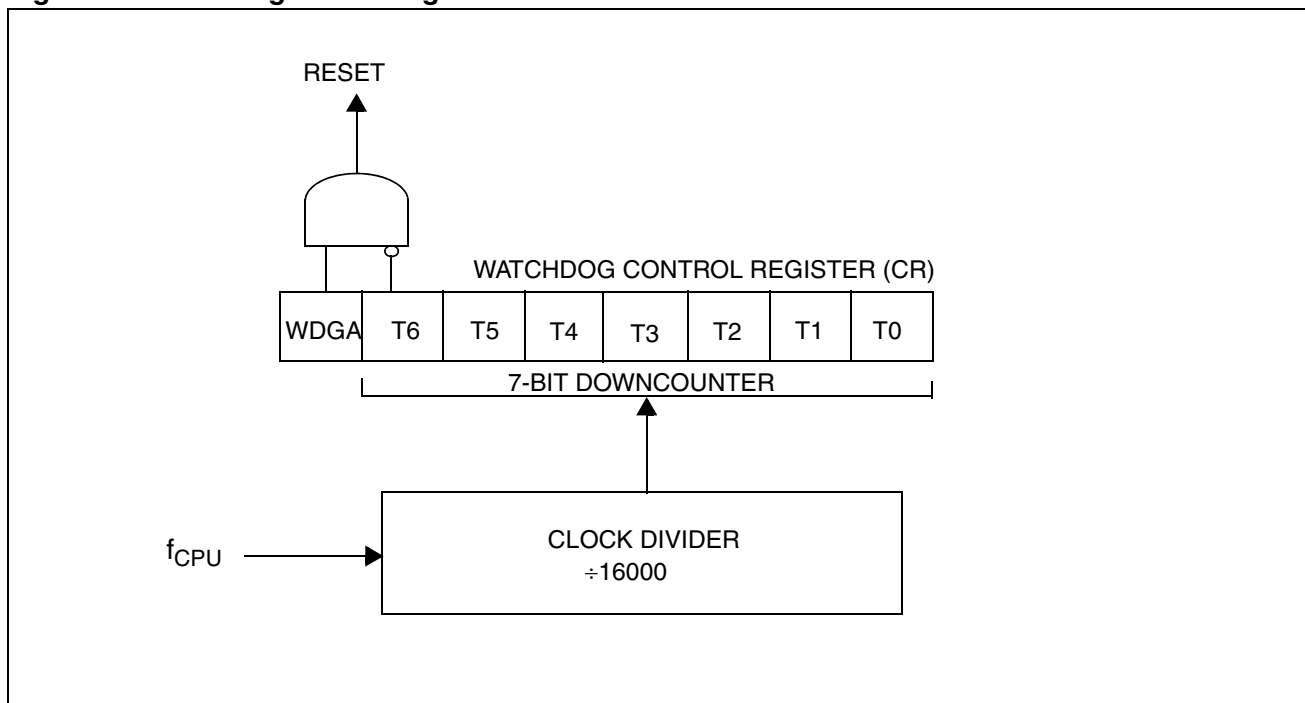
- Optional reset on HALT instruction (configurable by option byte)
- Hardware Watchdog selectable by option byte

#### 11.1.3 Functional Description

The counter value stored in the CR register (bits T[6:0]), is decremented every 16000 machine cycles, and the length of the timeout period can be programmed by the user in 64 increments.

If the watchdog is activated (the WDGA bit is set) and when the 7-bit timer (bits T[6:0]) rolls over from 40h to 3Fh (T6 becomes cleared), it initiates a reset cycle pulling low the reset pin for typically 30 $\mu$ s.

**Figure 34. Watchdog Block Diagram**



**WATCHDOG TIMER (Cont'd)**

The application program must write in the CR register at regular intervals during normal operation to prevent an MCU reset. This downcounter is free-running: it counts down even if the watchdog is disabled. The value to be stored in the CR register must be between FFh and C0h (see [Table 12 .Watchdog Timing](#)):

- The WDGA bit is set (watchdog enabled)
- The T6 bit is set to prevent generating an immediate reset
- The T[5:0] bits contain the number of increments which represents the time delay before the watchdog produces a reset.

Following a reset, the watchdog is disabled. Once activated it cannot be disabled, except by a reset.

The T6 bit can be used to generate a software reset (the WDGA bit is set and the T6 bit is cleared).

If the watchdog is activated, the HALT instruction will generate a Reset.

**Table 12. Watchdog Timing**

| f <sub>CPU</sub> = 8MHz |          |          |
|-------------------------|----------|----------|
| WDG Counter Code        | min [ms] | max [ms] |
| C0h                     | 1        | 2        |
| FFh                     | 127      | 128      |

Notes:

1. The timing variation shown in [Table 12](#) is due to the unknown status of the prescaler when writing to the CR register.
2. The number of CPU clock cycles applied during the RESET phase (256 or 4096) must be taken into account in addition to these timings.

**11.1.4 Hardware Watchdog Option**

If Hardware Watchdog is selected by option byte, the watchdog is always active and the WDGA bit in the CR is not used.

Refer to the Option Byte description in [section 15 on page 149](#).

**11.1.4.1 Using Halt Mode with the WDG (WDGHALT option)**

If Halt mode with Watchdog is enabled by option byte (No watchdog reset on HALT instruction), it is recommended before executing the HALT instruction to refresh the WDG counter, to avoid an unexpected WDG reset immediately after waking up the microcontroller. Same behaviour in active-halt mode.

**11.1.5 Interrupts**

None.

**11.1.6 Register Description**

**CONTROL REGISTER (WDGCR)**

Read/Write

Reset Value: 0111 1111 (7Fh)

|      |    |    |    |    |    |    |    |
|------|----|----|----|----|----|----|----|
| 7    |    |    |    |    |    |    | 0  |
| WDGA | T6 | T5 | T4 | T3 | T2 | T1 | T0 |

Bit 7 = **WDGA** Activation bit.

This bit is set by software and only cleared by hardware after a reset. When WDGA = 1, the watchdog can generate a reset.

- 0: Watchdog disabled
- 1: Watchdog enabled

**Note:** This bit is not used if the hardware watchdog option is enabled by option byte.

Bit 6:0 = **T[6:0]** 7-bit timer (MSB to LSB).

These bits contain the decremented value. A reset is produced when it rolls over from 40h to 3Fh (T6 becomes cleared).

**Table 13. Watchdog Timer Register Map and Reset Values**

| Address (Hex.) | Register Label              | 7         | 6       | 5       | 4       | 3       | 2       | 1       | 0       |
|----------------|-----------------------------|-----------|---------|---------|---------|---------|---------|---------|---------|
| 002Eh          | <b>WDGCR</b><br>Reset Value | WDGA<br>0 | T6<br>1 | T5<br>1 | T4<br>1 | T3<br>1 | T2<br>1 | T1<br>1 | T0<br>1 |



## 11.2 DUAL 12-BIT AUTORELOAD TIMER 4 (AT4)

### 11.2.1 Introduction

The 12-bit Autoreload Timer can be used for general-purpose timing functions. It is based on one or two free-running 12-bit upcounters with an input capture register and four PWM output channels. There are 7 external pins:

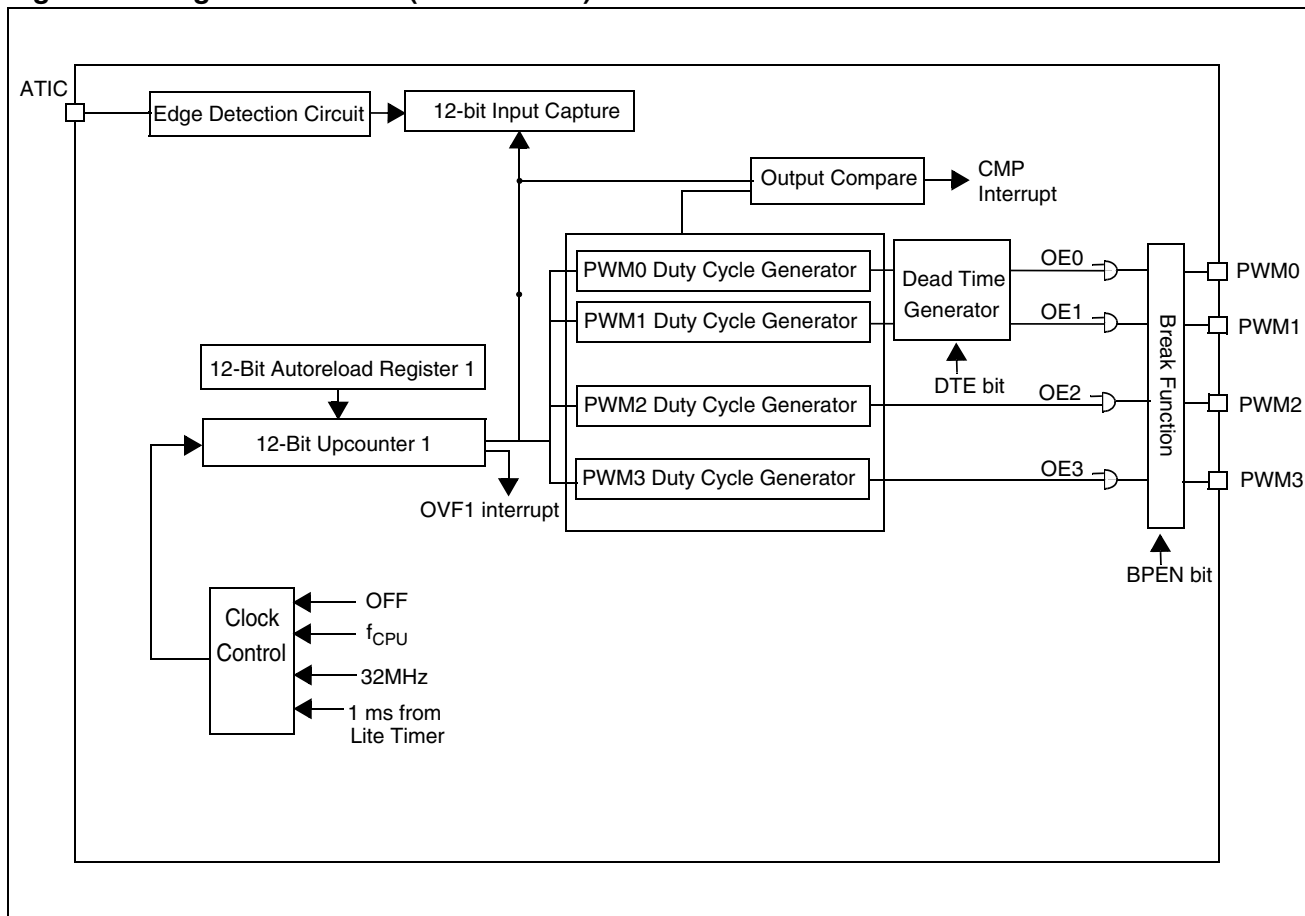
- Four PWM outputs
- ATIC/LTIC pins for the Input Capture function
- BREAK pin for forcing a break condition on the PWM outputs

### 11.2.2 Main Features

- Single Timer or Dual Timer mode with two 12-bit upcounters (CNTR1/CNTR2) and two 12-bit autoreload registers (ATR1/ATR2)
- Maskable overflow interrupts
- PWM mode

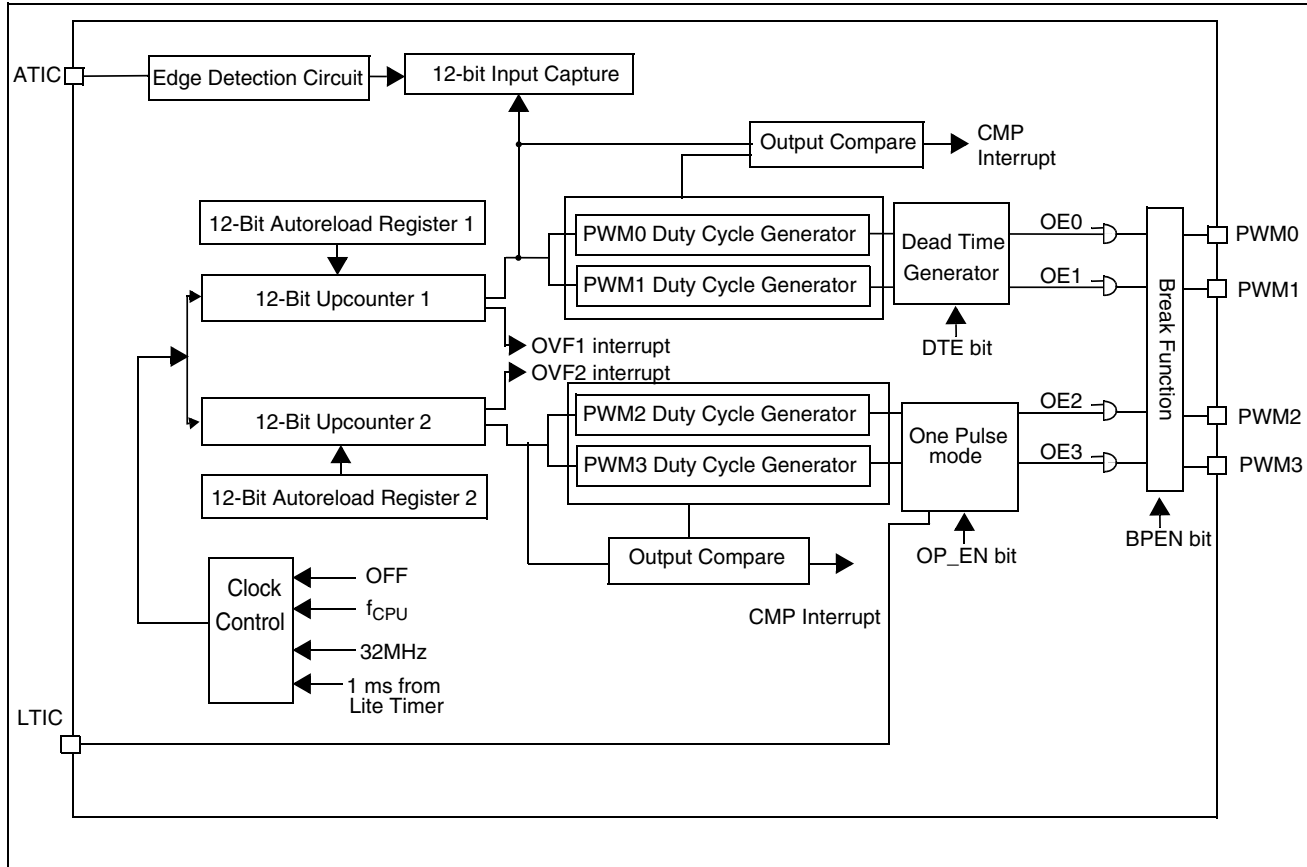
- Generation of four independent PWMx signals
- Dead time generation for Half bridge driving mode with programmable dead time
- Frequency 2 kHz - 4 MHz (@ 8 MHz  $f_{CPU}$ )
- Programmable duty-cycles
- Polarity control
- Programmable output modes
- Output Compare Mode
- Input Capture Mode
  - 12-bit input capture register (ATICR)
  - Triggered by rising and falling edges
  - Maskable IC interrupt
  - Long range input capture
- Internal/External Break control
- Flexible Clock control
- One Pulse mode on PWM2/3
- Force Update

Figure 35. Single Timer Mode (ENCNTR2=0)



DUAL 12-BIT AUTORELOAD TIMER 4 (Cont'd)

Figure 36. Dual Timer Mode (ENCNTR2=1)



## DUAL 12-BIT AUTORELOAD TIMER 4 (Cont'd)

### 11.2.3 Functional Description

#### 11.2.3.1 PWM Mode

This mode allows up to four Pulse Width Modulated signals to be generated on the PWMx output pins.

#### PWM Frequency

The four PWM signals can have the same frequency ( $f_{\text{PWM}}$ ) or can have two different frequencies. This is selected by the ENCNR2 bit which enables single timer or dual timer mode (see [Figure 1](#) and [Figure 2](#)).

The frequency is controlled by the counter period and the ATR register value. In dual timer mode, PWM2 and PWM3 can be generated with a different frequency controlled by CNTR2 and ATR2.

$$f_{\text{PWM}} = f_{\text{COUNTER}} / (4096 - \text{ATR})$$

Following the above formula,

- If  $f_{\text{COUNTER}}$  is 4 MHz, the maximum value of  $f_{\text{PWM}}$  is 2 MHz (ATR register value = 4094), the minimum value is 1 kHz (ATR register value = 0).
- If  $f_{\text{COUNTER}}$  is 32 MHz, the maximum value of  $f_{\text{PWM}}$  is 8 MHz (ATR register value = 4092), the minimum value is 8 kHz (ATR register value = 0).

#### Notes:

1. The maximum value of ATR is 4094 because it must be lower than the DC4R value which must be 4095 in this case.
2. To update the DCRx registers at 32 MHz, the following precautions must be taken:
  - if the PWM frequency is < 1 MHz and the TRANx bit is set asynchronously, it should be set twice after a write to the DCRx registers.
  - if the PWM frequency is > 1 MHz, the TRANx bit should be set along with FORCEx bit with the same instruction (use a load instruction and not 2 bset instructions).

#### Duty Cycle

The duty cycle is selected by programming the DCRx registers. These are preload registers. The DCRx values are transferred in Active duty cycle registers after an overflow event if the corresponding transfer bit (TRANx bit) is set.

The TRAN1 bit controls the PWMx outputs driven by counter 1 and the TRAN2 bit controls the PWMx outputs driven by counter 2.

PWM generation and output compare are done by comparing these active DCRx values with the counter.

The maximum available resolution for the PWMx duty cycle is:

$$\text{Resolution} = 1 / (4096 - \text{ATR})$$

where ATR is equal to 0. With this maximum resolution, 0% and 100% duty cycle can be obtained by changing the polarity.

At reset, the counter starts counting from 0.

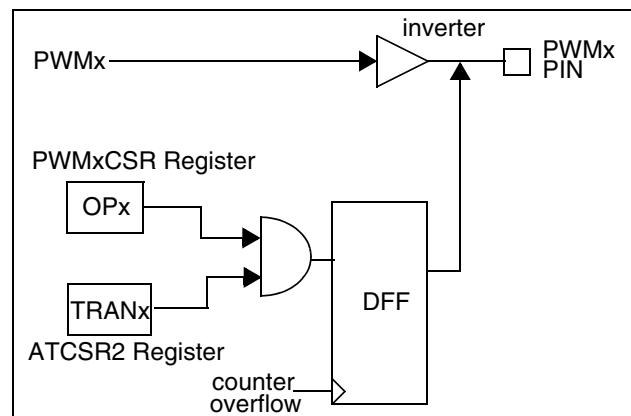
When a upcounter overflow occurs (OVF event), the preloaded Duty cycle values are transferred to the active Duty Cycle registers and the PWMx signals are set to a high level. When the upcounter matches the active DCRx value the PWMx signals are set to a low level. To obtain a signal on a PWMx pin, the contents of the corresponding active DCRx register must be greater than the contents of the ATR register.

The maximum value of ATR is 4094 because it must be lower than the DCR value which must be 4095 in this case.

#### Polarity Inversion

The polarity bits can be used to invert any of the four output signals. The inversion is synchronized with the counter overflow if the corresponding transfer bit in the ATCSR2 register is set (reset value). See [Figure 3](#).

**Figure 37. PWM Polarity Inversion**



The Data Flip Flop (DFF) applies the polarity inversion when triggered by the counter overflow input.

#### Output Control

The PWMx output signals can be enabled or disabled using the OEx bits in the PWMCR register.

DUAL 12-BIT AUTORELOAD TIMER 4 (Cont'd)

Figure 38. PWM Function

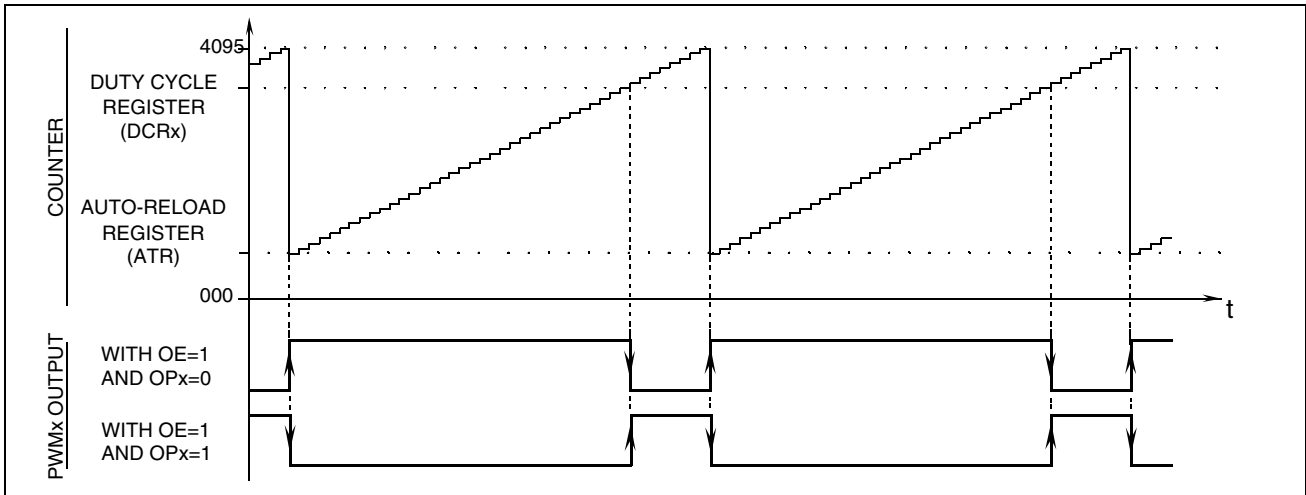
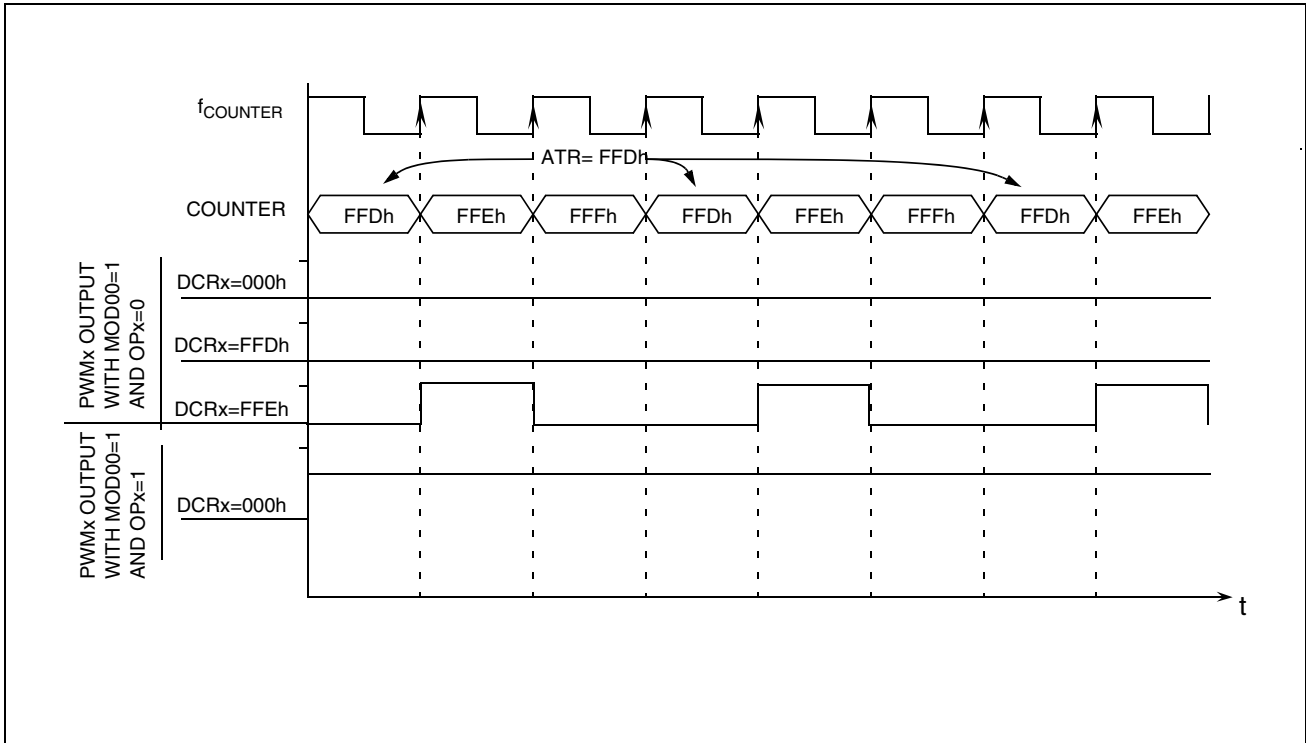


Figure 39. PWM Signal from 0% to 100% Duty Cycle



## DUAL 12-BIT AUTORELOAD TIMER 4 (Cont'd)

### 11.2.3.2 Dead Time Generation

A dead time can be inserted between PWM0 and PWM1 using the DTGR register. This is required for half-bridge driving where PWM signals must not be overlapped. The non-overlapping PWM0/PWM1 signals are generated through a programmable dead time by setting the DTE bit.

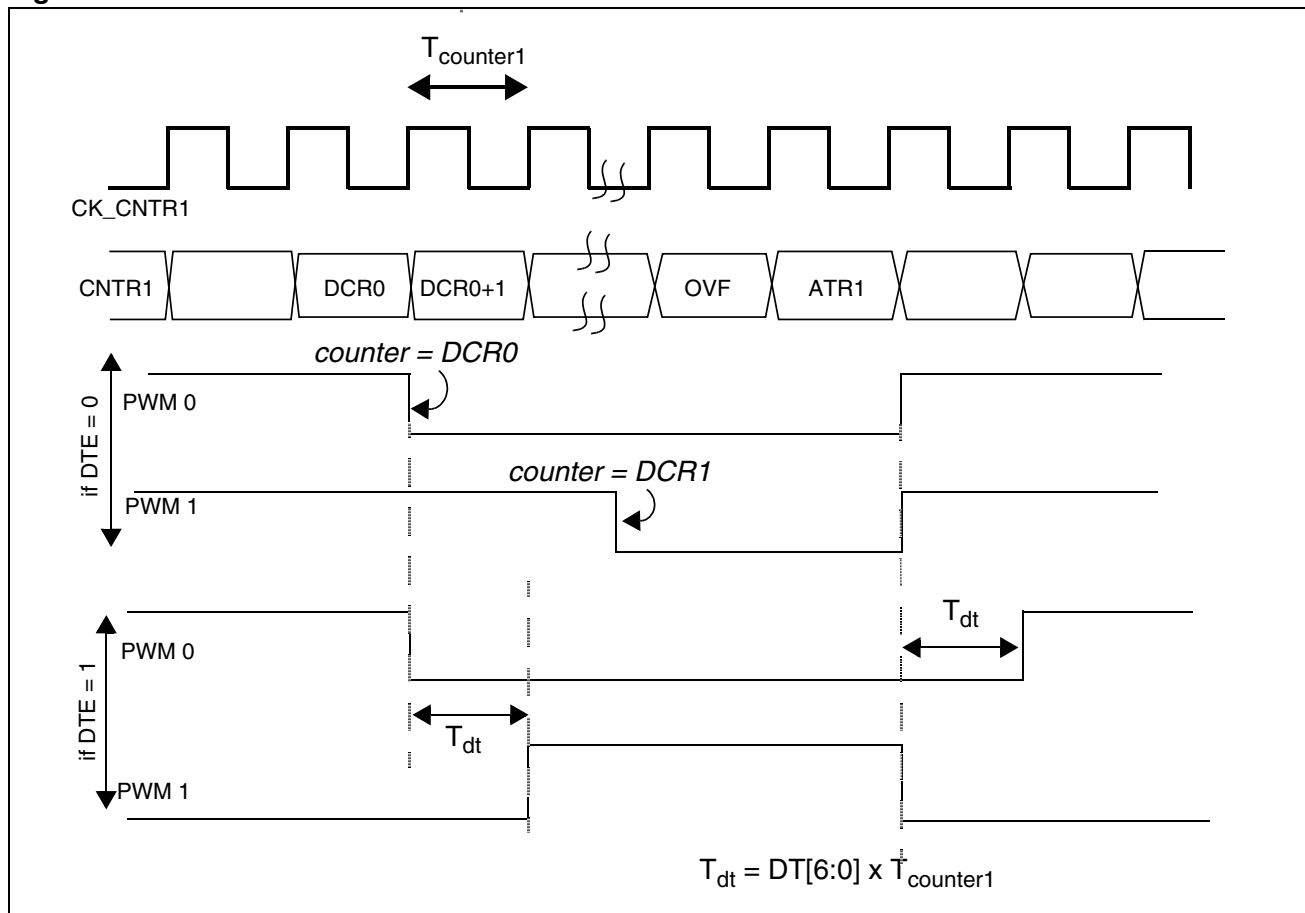
Dead time value =  $DT[6:0] \times T_{counter1}$

DTGR[7:0] is buffered inside so as to avoid deforming the current PWM cycle. The DTGR effect will take place only after an overflow.

#### Notes:

1. Dead time is generated only when DTE=1 and  $DT[6:0] \neq 0$ . If DTE is set and  $DT[6:0]=0$ , PWM output signals will be at their reset state.
2. Half Bridge driving is possible only if polarities of PWM0 and PWM1 are not inverted, i.e. if OP0 and OP1 are not set. If polarity is inverted, overlapping PWM0/PWM1 signals will be generated.
3. Dead Time generation does not work at 1 ms timebase.

Figure 40. Dead Time Generation



In the above example, when the DTE bit is set:

- PWM goes low at DCR0 match and goes high at  $ATR1 + T_{dt}$
- PWM1 goes high at  $DCR0 + T_{dt}$  and goes low at ATR match.

With this programmable delay ( $T_{dt}$ ), the PWM0 and PWM1 signals which are generated are not overlapped.

DUAL 12-BIT AUTORELOAD TIMER 4 (Cont'd)

11.2.3.3 Break Function

The break function can be used to perform an emergency shutdown of the application being driven by the PWM signals.

The break function is activated by the external BREAK pin or internal comparator output. This can be selected by using the BRSEL bit in BREAKCR Register. In order to use the break function it must be previously enabled by software setting the BPEN bit in the BREAKCR register.

The Break active level can be programmed by the BREDGE bit in the BREAKCR register. When an active level is detected on the BREAK pin, the BA bit is set and the break function is activated. In this case, the PWM signals are forced to BREAK value if respective OEx bit is set in PWMCR register.

Software can set the BA bit to activate the break function without using the BREAK pin. The BREN1 and BREN2 bits in the BREAKEN Register are used to enable the break activation on the 2

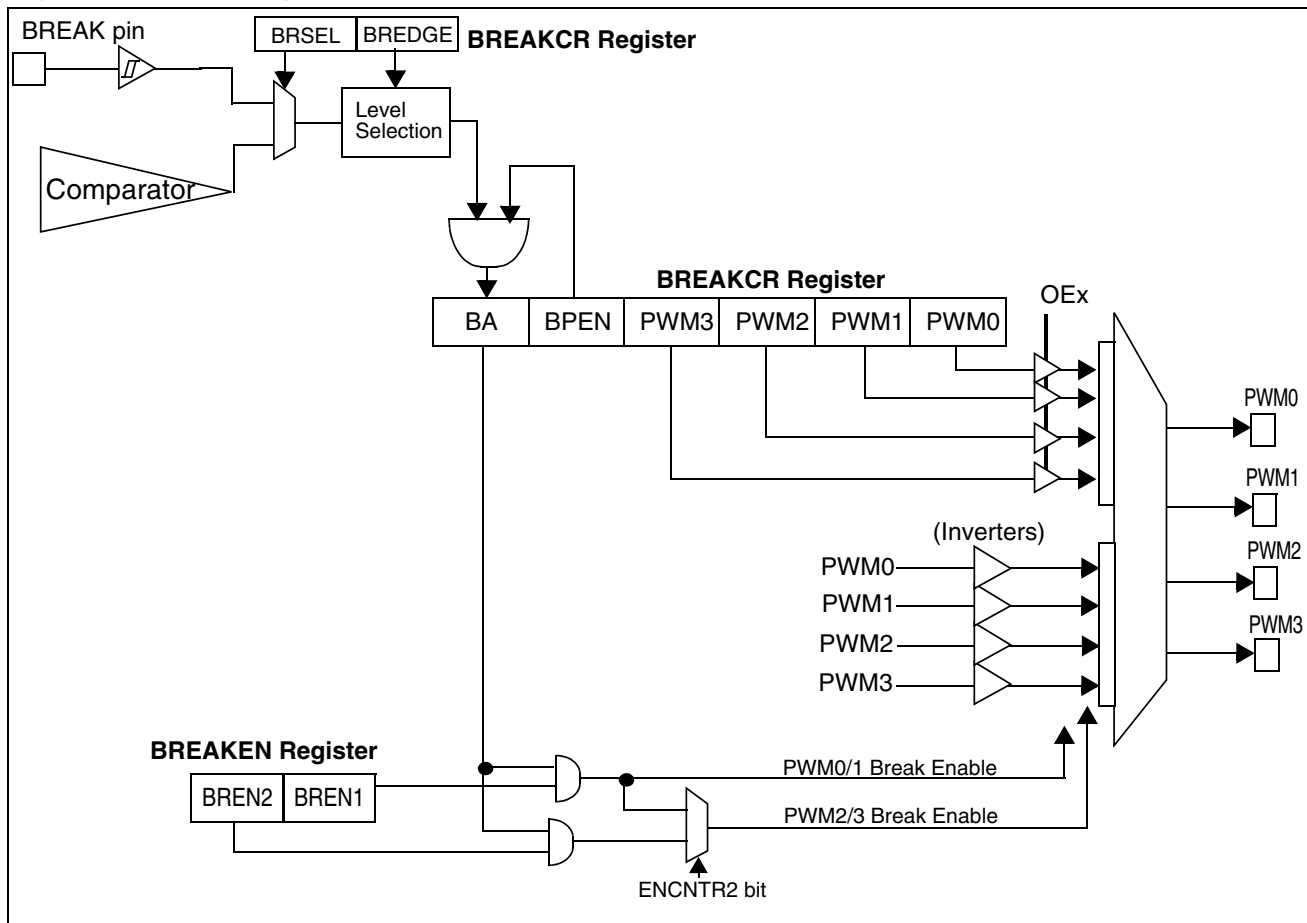
counters respectively. In Dual Timer Mode, the break for PWM2 and PWM3 is enabled by the BREN2 bit. In Single Timer Mode, the BREN1 bit enables the break for all PWM channels.

When a break function is activated (BA bit =1 and BREN1/BREN2 =1):

- The break pattern (PWM[3:0] bits in the BREAKCR) is forced directly on the PWMx output pins if respective OEx is set. (after the inverter).
- The 12-bit PWM counter CNTR1 is put to its reset value, i.e. 00h (if BREN1 = 1).
- The 12-bit PWM counter CNTR2 is put to its reset value, i.e. 00h (if BREN2 = 1).
- ATR1, ATR2, Preload and Active DCRx are put to their reset values.
- Counters stop counting.

When the break function is deactivated after applying the break (BA bit goes from 1 to 0 by software), Timer takes the control of PWM ports.

Figure 41. Block Diagram of Break Function



## DUAL 12-BIT AUTORELOAD TIMER 4 (Cont'd)

### 11.2.3.4 Output Compare Mode

To use this function, load a 12-bit value in the Preload DCRxH and DCRxL registers.

When the 12-bit upcounter CNTR1 reaches the value stored in the Active DCRxH and DCRxL registers, the CMPF<sub>x</sub> bit in the PWMxCSR register is set and an interrupt request is generated if the CMPIE bit is set.

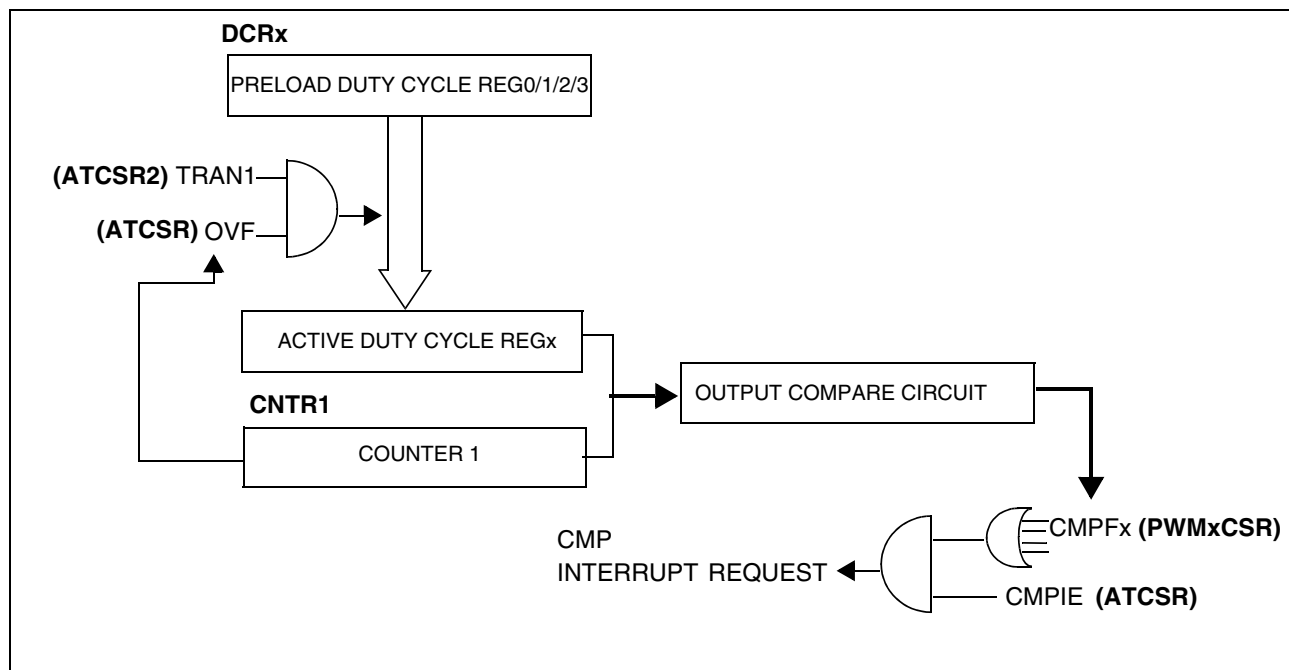
In single Timer mode the output compare function is performed only on CNTR1. The difference between both the modes is that, in Single Timer mode, CNTR1 can be compared with any of the four DCR registers, and in Dual Timer mode,

CNTR1 is compared with DCR0 or DCR1 and CNTR2 is compared with DCR2 or DCR3.

#### Notes:

1. The output compare function is only available for DCR<sub>x</sub> values other than 0 (reset value).
2. Duty cycle registers are buffered internally. The CPU writes in Preload Duty Cycle Registers and these values are transferred in Active Duty Cycle Registers after an overflow event if the corresponding transfer bit (TRAN<sub>x</sub> bit) is set. Output compare is done by comparing these active DCR<sub>x</sub> values with the counters.

Figure 42. Block Diagram of Output Compare Mode (single timer)



DUAL 12-BIT AUTORELOAD TIMER 4 (Cont'd)

11.2.3.5 Input Capture Mode

The 12-bit ATICR register is used to latch the value of the 12-bit free running upcounter CNTR1 after a rising or falling edge is detected on the ATIC pin. When an input capture occurs, the ICF bit is set and the ATICR register contains the value of the free running upcounter. An IC interrupt is generated if the ICIE bit is set. The ICF bit is reset by

reading the ATICRH/ATICRL register when the ICF bit is set. The ATICR is a read only register and always contains the free running upcounter value which corresponds to the most recent input capture. Any further input capture is inhibited while the ICF bit is set.

Figure 43. Block Diagram of Input Capture Mode

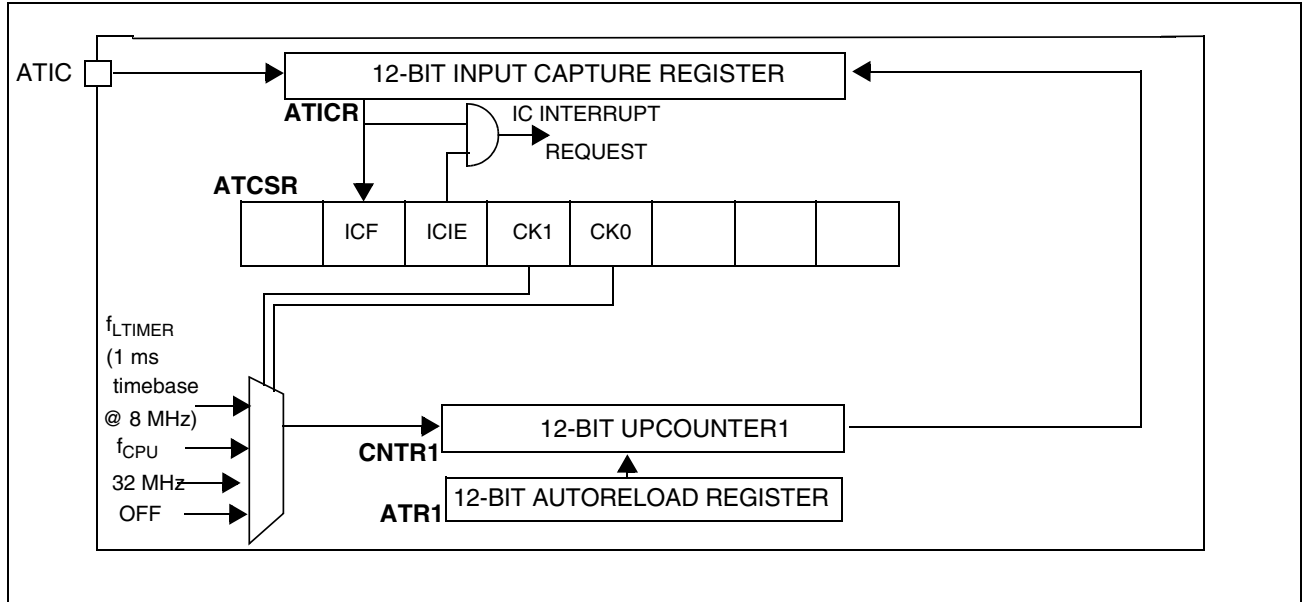
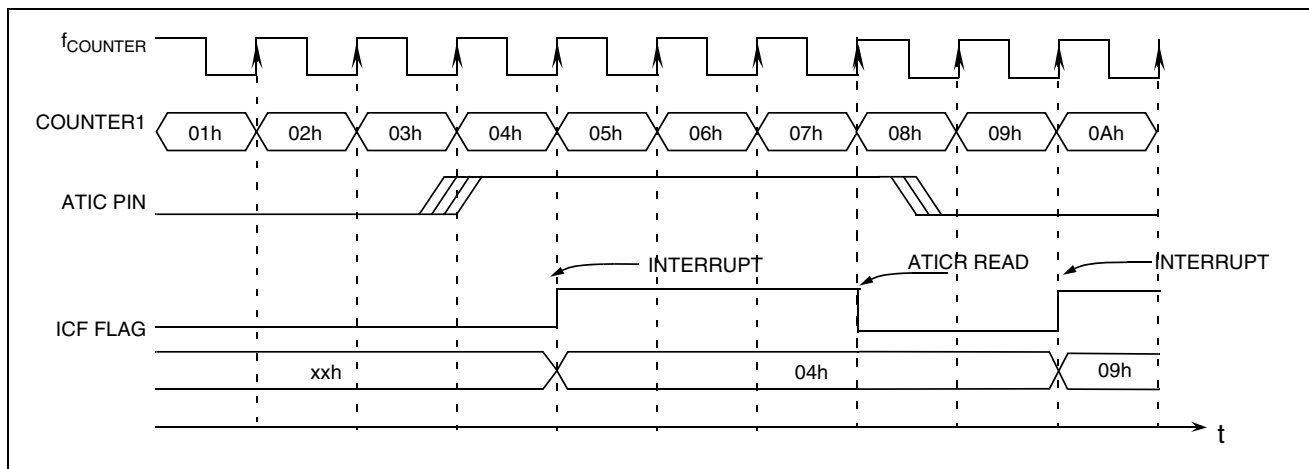


Figure 44. Input Capture timing diagram





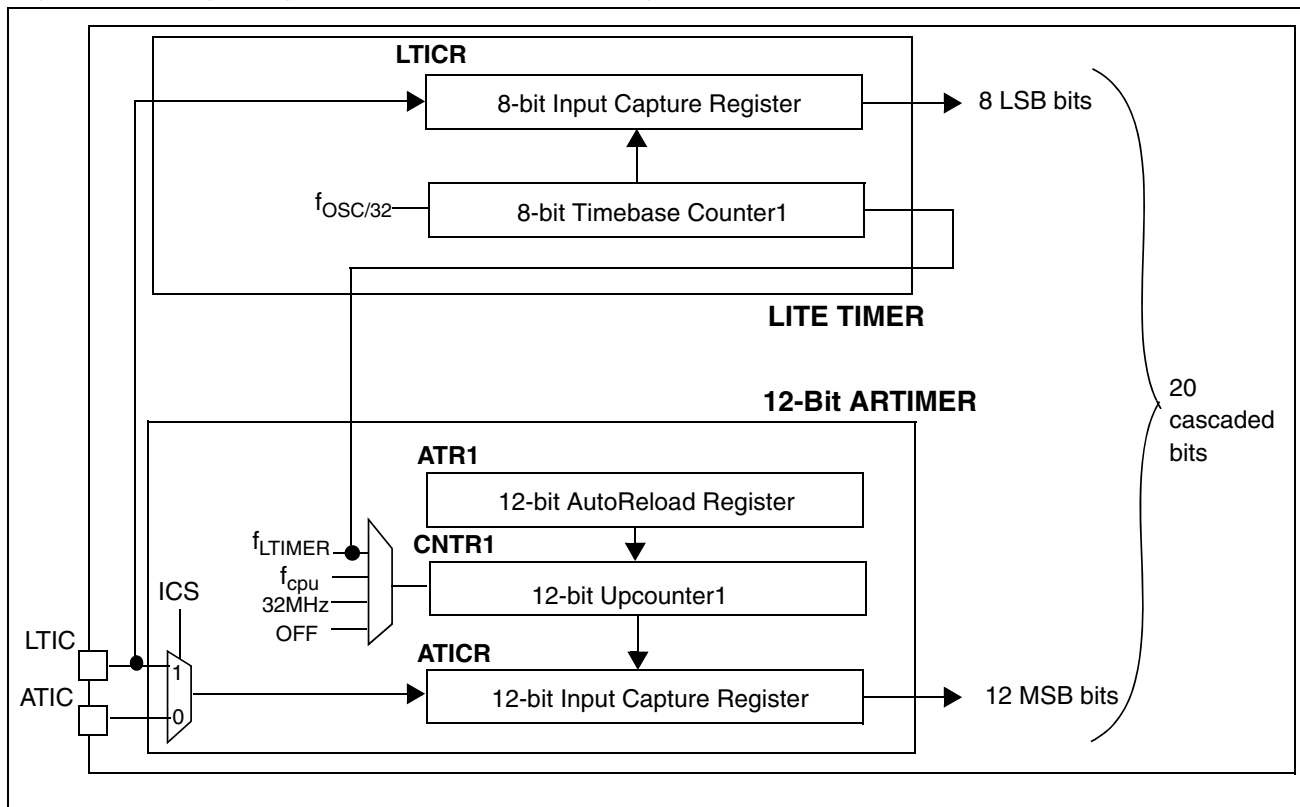
**DUAL 12-BIT AUTORELOAD TIMER 4 (Cont'd)****■ Long Input Capture**

Pulses that last more than  $8\mu\text{s}$  can be measured with an accuracy of  $4\mu\text{s}$  if  $f_{\text{OSC}} = 8\text{ MHz}$  in the following conditions:

- The 12-bit AT4 Timer is clocked by the Lite Timer (RTC pulse:  $\text{CK}[1:0] = 01$  in the ATCSR register)
- The ICS bit in the ATCSR2 register is set so that the LTIC pin is used to trigger the AT4 Timer capture.

- The signal to be captured is connected to LTIC pin
- Input Capture registers LTICR, ATICRH and ATICRL are read

This configuration allows to cascade the Lite Timer and the 12-bit AT4 Timer to get a 20-bit input capture value. Refer to [Figure 11](#).

**Figure 45. Long Range Input Capture Block Diagram****Notes:**

**1.** Since the input capture flags (ICF) for both timers (AT4 Timer and LT Timer) are set when signal transition occurs, software must mask one interrupt by clearing the corresponding ICIE bit before setting the ICS bit.

**2.** If the ICS bit changes (from 0 to 1 or from 1 to 0), a spurious transition might occur on the input capture signal because of different values on LTIC and ATIC. To avoid this situation, it is recommended to do as follows:

- First, reset both ICIE bits.
- Then set the ICS bit.
- Reset both ICF bits.

- And then set the ICIE bit of desired interrupt.

**3.** How to compute a pulse length with long input capture feature.

As both timers are used, computing a pulse length is not straight-forward. The procedure is as follows:

- At the first input capture on the rising edge of the pulse, we assume that values in the registers are as follows:

```
LTICR = LT1
ATICRH = ATH1
ATICRL = ATL1
Hence ATICR1 [11:0] = ATH1 & ATL1
```

Refer to [Figure 12](#).

**DUAL 12-BIT AUTORELOAD TIMER 4 (Cont'd)**

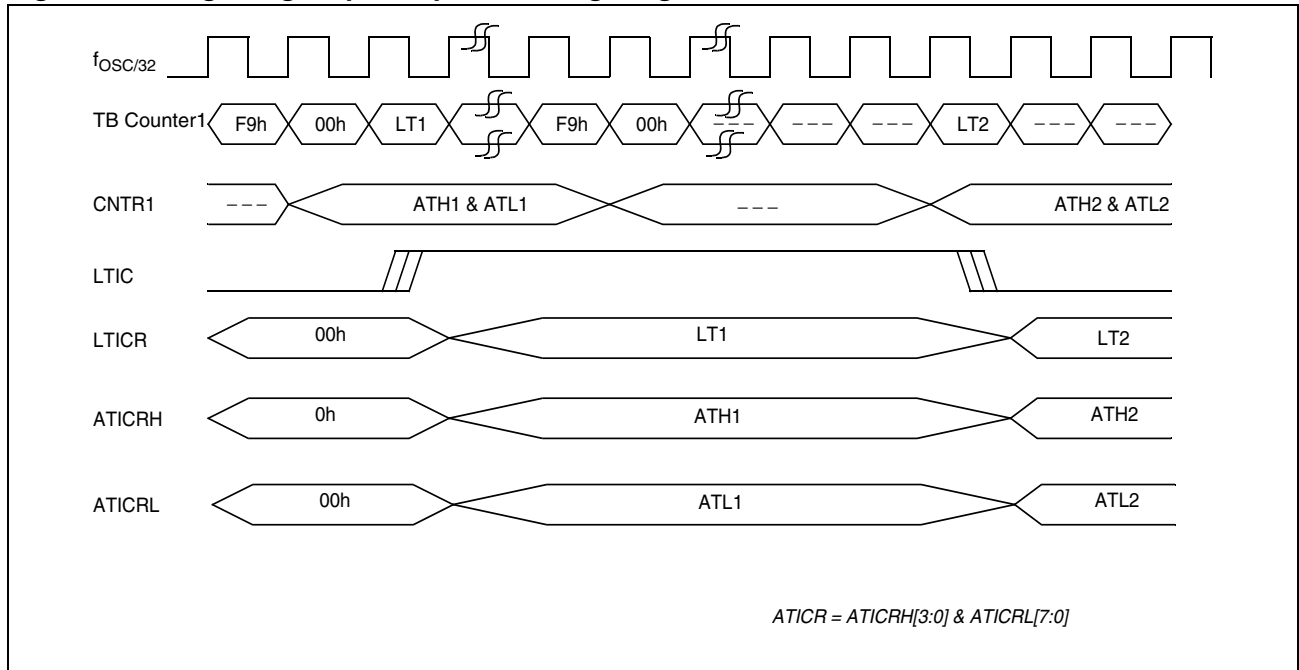
- At the second input capture on the falling edge of the pulse, we assume that the values in the registers are as follows:  
 LTICR = LT2  
 ATICRH = ATH2  
 ATICRL = ATL2  
 Hence ATICR2 [11:0] = ATH2 & ATL2

Now pulse width P between first capture and second capture will be:

$$P = \text{decimal} (F9 - LT1 + LT2 + 1) * 0.004\text{ms} + \text{decimal} ((FFF * N) + N + ATICR2 - ATICR1 - 1) * 1\text{ms}$$

where N = No of overflows of 12-bit CNTR1.

**Figure 46. Long Range Input Capture Timing Diagram**



## DUAL 12-BIT AUTORELOAD TIMER 4 (Cont'd)

### 11.2.3.6 One Pulse Mode

One Pulse Mode can be used to control PWM2/3 signal with an external LTIC pin. This mode is available only in dual timer mode i.e. only for CNTR2, when the OP\_EN bit in PWM3CSR register is set.

One Pulse Mode is activated by the external LTIC input. The active edge of the LTIC pin is selected by the OPEDGE bit in the PWM3CSR register.

After getting the active edge of the LTIC pin, CNTR2 is reset (000h) and PWM3 is set to high. CNTR2 starts counting from 000h, when it reaches the active DCR3 value then the PWM3 output goes low. Till this time, any further transitions on the LTIC signal will have no effect. If there are LTIC transitions after CNTR2 reaches the DCR3 value, CNTR2 is reset again and the PWM3 output goes high.

If there is no LTIC active edge then CNTR2 will count till it reaches the ATR2 value, and then it will be reset again and the PWM3 output is set to high. The counter again starts counting from 000h, when it reaches the active DCR3 value the PWM3 output goes low, the counter counts till it reaches the ATR2 value, it resets and the PWM3 output is set to high and it goes on the same way.

The same operation applies for the PWM2 output, but in this case the comparison is done on the DCR2 value.

The OP\_EN and OPEDGE bits take effect on the fly and are not synchronized with the CNTR2 overflow.

The OP2/3 bits can be used to inverse the polarity of the PWM2/3 outputs in one-pulse mode. The update of these bits (OP2/3) is synchronized with the CNTR2 overflow, they will be updated if the TRAN2 bit is set.

#### Notes:

1. If CNTR2 is running at 32 MHz, the time taken from activation of LTIC input and CNTR2 reset is between 2 and 3  $t_{\text{CNTR2}}$  cycles, i.e. 66 ns to 99 ns (with 8 MHz  $f_{\text{CPU}}$ ).
2. The Lite Timer input capture interrupt must be disabled while 12-bit ARTimer is in One Pulse Mode. This is to avoid spurious interrupts.
3. The priority of various events affecting PWM3 is as follows:
  - Break (Highest priority)
  - One-pulse mode with active LTIC edge
  - Forced overflow (by FORCE2 bit)

- One-pulse mode without active LTIC edge
  - Normal PWM operation. (Lowest priority)
4. It is possible to synchronize the update of DCR2/3 registers and OP2/3 bits with the CNTR2 reset. This is managed by the overflow interrupt which is generated if CNTR2 is reset either due to an ATR match or an active pulse on the LTIC pin.
  5. Updating the DCR2/3 registers and OP2/3 bits in one-pulse mode is done dynamically by software using force update (FORCE2 bit in the ATCSR2 register).
  6. DCR3 update in this mode is not synchronized with any event. Consequently the next PWM3 cycle just after the change may be longer than expected (refer to Figure 15).
  7. In One Pulse Mode the ATR2 value must be greater than the DCR2/3 value for the PWM2/3 outputs. (contrary to normal PWM mode)
  8. If there is an active edge on the LTIC pin after the CNTR2 has reset due to an ATR2 match, then the timer gets reset again. The duty cycle may be modified depending on whether the new DCR value is less than or more than the previous value.
  9. The TRAN2 bit must be set simultaneously with the FORCE2 bit in the same instruction after a write to the DCR register.
  10. The ATR2 value should be changed after an overflow in one pulse mode to avoid an irregular PWM cycle.
  11. When exiting from one pulse mode, the OP\_EN bit in the PWM3CSR register must be reset first and then the ENCNR2 bit (if CNTR2 is to be stopped).

#### How to Enter One Pulse Mode:

1. Load the ATR2H/ATR2L registers with required value.
2. Load the DCR3H/DCR3L registers for PWM3 output. The ATR2 value must be greater than DCR3.
3. Set the OP3 bit in the PWM3CSR register if polarity change is required.
4. Start the CNTR2 counter by setting the ENCNR2 bit in the ATCSR2 register.
5. Set TRAN2 bit in ATCSR2 to enable transfer.
6. Wait for an overflow event by polling the OVF2 flag in the ATCSR2 register.
7. Select the counter clock using the CK[1:0] bits in the ATCSR register.

**DUAL 12-BIT AUTORELOAD TIMER 4 (Cont'd)**

8. Set the OP\_EN bit in the PWM3CSR register to enable one-pulse mode.

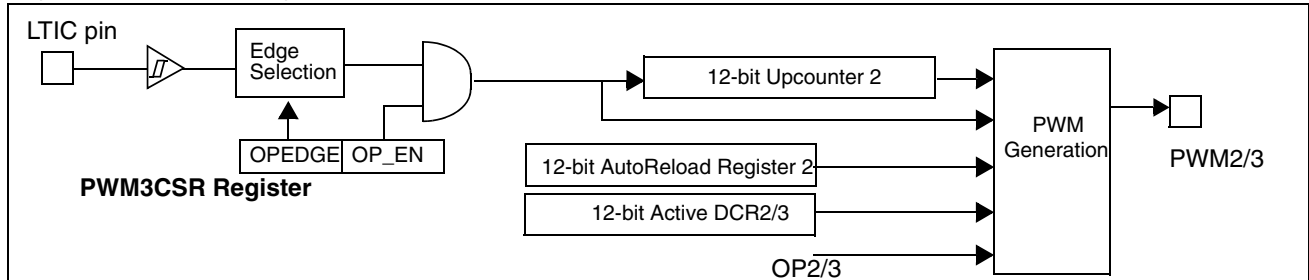
9. Enable the PWM3 output by setting the OE3 bit in the PWMCR register.

The "Wait for Overflow event" in step 6 can be replaced by forced update (writing the FORCE2 bit).

Follow the same procedure for PWM2 with the bits corresponding to PWM2.

**Note:** When break is applied in one-pulse mode, the CNTR2, DCR2/3 & ATR2 registers are reset. Consequently, these registers have to be initialized again when break is removed.

**Figure 47. Block Diagram of One Pulse Mode**



**Figure 48. One Pulse Mode and PWM Timing Diagram**

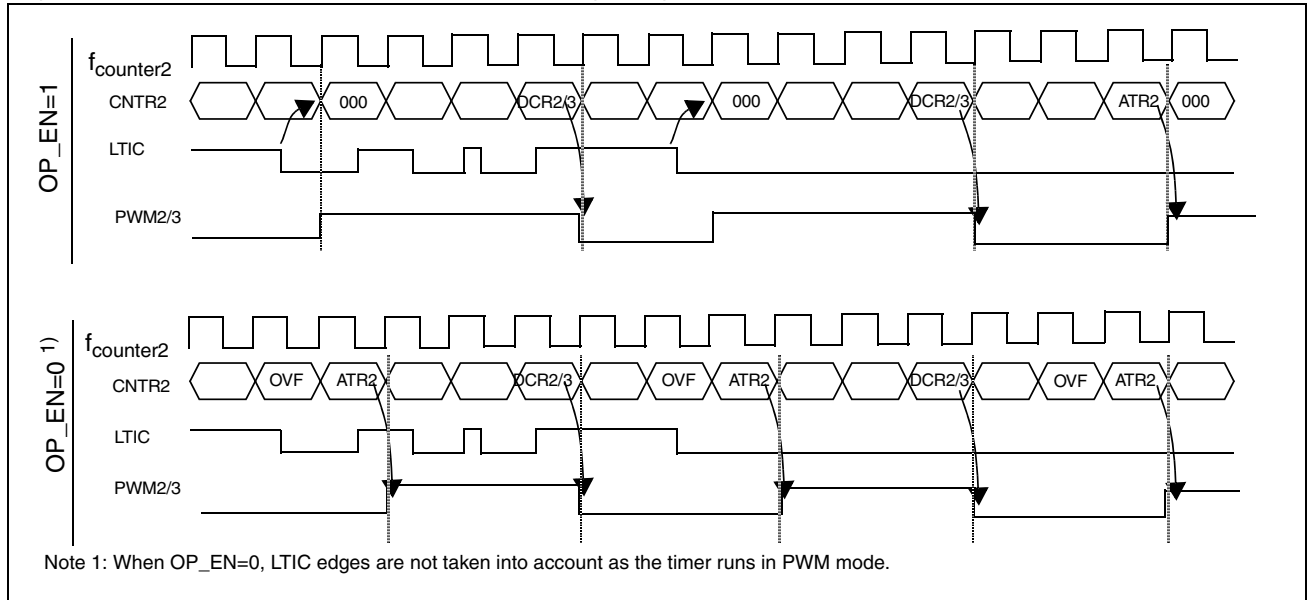
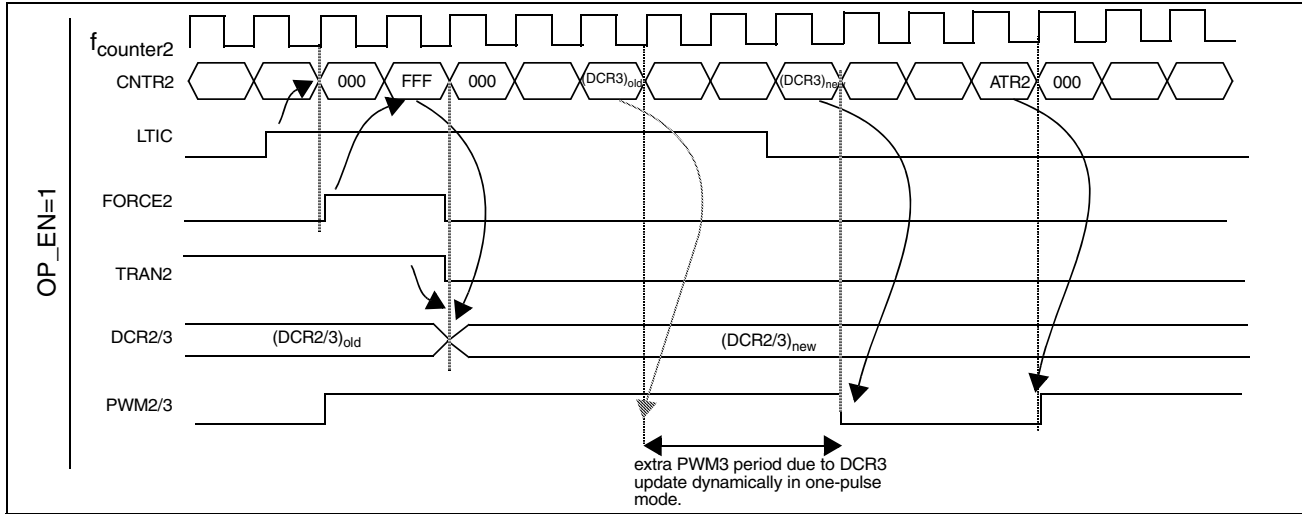


Figure 49. Dynamic DCR2/3 update in One Pulse Mode



DUAL 12-BIT AUTORELOAD TIMER 4 (Cont'd)

11.2.3.7 Force Update

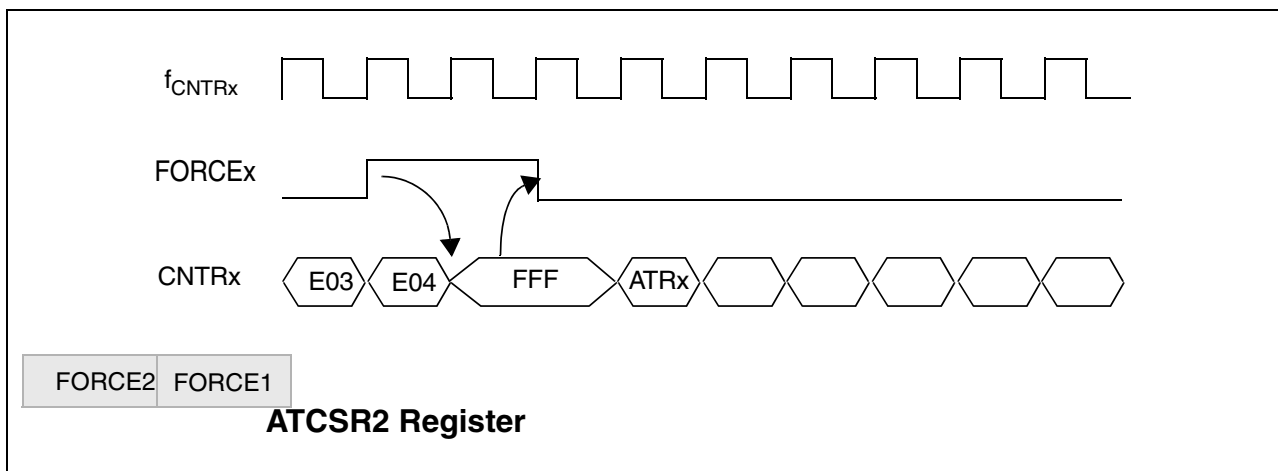
In order not to wait for the counter<sub>x</sub> overflow to load the value into active DCRx registers, a programmable counter<sub>x</sub> overflow is provided. For both counters, a separate bit is provided which when set, make the counters start with the overflow value, i.e. FFFh. After overflow, the counters start counting from their respective auto reload register values.

These bits are FORCE1 and FORCE2 in the ATCSR2 register. FORCE1 is used to force an overflow on Counter 1 and, FORCE2 is used for Counter 2. These bits are set by software and re-

set by hardware after the respective counter overflow event has occurred.

This feature can be used at any time. All related features such as PWM generation, Output Compare, Input Capture, One-pulse (refer to [Figure 15. Dynamic DCR2/3 update in One Pulse Mode](#)) can be used this way.

Figure 50. Force Overflow Timing Diagram



## DUAL 12-BIT AUTORELOAD TIMER 4 (Cont'd)

### 11.2.4 Low Power Modes

| Mode | Description           |
|------|-----------------------|
| WAIT | No effect on AT timer |
| HALT | AT timer halted.      |

### 11.2.5 Interrupts

| Interrupt Event | Event Flag | Enable Control Bit | Exit from Wait | Exit from Halt | Exit from Active-Halt |
|-----------------|------------|--------------------|----------------|----------------|-----------------------|
| Overflow Event  | OVF1       | OVIE1              | Yes            | No             | Yes                   |
| AT4 IC Event    | ICF        | ICIE               | Yes            | No             | No                    |
| CMP Event       | CMPFx      | CMPIE              | Yes            | No             | No                    |
| Overflow Event2 | OVF2       | OVIE2              | Yes            | No             | No                    |

**Note:** The CMP and AT4 IC events are connected to the same interrupt vector. The OVF event is mapped on a separate vector (see Interrupts chapter).

They generate an interrupt if the enable bit is set in the ATCSR register and the interrupt mask in the CC register is reset (RIM instruction).

DUAL 12-BIT AUTORELOAD TIMER 4 (Cont'd)

11.2.6 Register Description

**TIMER CONTROL STATUS REGISTER (ATCSR)**

Read / Write

Reset Value: 0x00 0000 (x0h)

|   |     |      |     |     |      |        |       |
|---|-----|------|-----|-----|------|--------|-------|
| 7 |     |      |     |     |      |        | 0     |
| 0 | ICF | ICIE | CK1 | CK0 | OVF1 | OVFIE1 | CMPIE |

Bit 7 = Reserved.

Bit 6 = **ICF** *Input Capture Flag*.

This bit is set by hardware and cleared by software by reading the ATICR register (a read access to ATICRH or ATICRL will clear this flag). Writing to this bit does not change the bit value.

0: No input capture

1: An input capture has occurred

Bit 5 = **ICIE** *IC Interrupt Enable*.

This bit is set and cleared by software.

0: Input capture interrupt disabled

1: Input capture interrupt enabled

Bits 4:3 = **CK[1:0]** *Counter Clock Selection*.

These bits are set and cleared by software and cleared by hardware after a reset. They select the clock frequency of the counter.

| Counter Clock Selection              | CK1 | CK0 |
|--------------------------------------|-----|-----|
| OFF                                  | 0   | 0   |
| 32 MHz                               | 1   | 1   |
| $f_{LTIMER}$ (1 ms timebase @ 8 MHz) | 0   | 1   |
| $f_{CPU}$                            | 1   | 0   |

Bit 2 = **OVF1** *Overflow Flag*.

This bit is set by hardware and cleared by software by reading the ATCSR register. It indicates the transition of the counter1 CNTR1 from FFFh to ATR1 value.

0: No counter overflow occurred

1: Counter overflow occurred

Bit 1 = **OVFIE1** *Overflow Interrupt Enable*.

This bit is read/write by software and cleared by hardware after a reset.

0: Overflow interrupt disabled.

1: Overflow interrupt enabled.

Bit 0 = **CMPIE** *Compare Interrupt Enable*.

This bit is read/write by software and cleared by hardware after a reset. It can be used to mask the interrupt generated when any of the CMPFx bit is set.

0: Output compare interrupt disabled.

1: Output Compare interrupt enabled.

**COUNTER REGISTER 1 HIGH (CNTR1H)**

Read only

Reset Value: 0000 0000 (00h)

|    |   |   |   |              |              |             |             |
|----|---|---|---|--------------|--------------|-------------|-------------|
| 15 |   |   |   |              | 8            |             |             |
| 0  | 0 | 0 | 0 | CNTR1_<br>11 | CNTR1_<br>10 | CNTR1_<br>9 | CNTR1_<br>8 |

**COUNTER REGISTER 1 LOW (CNTR1L)**

Read only

Reset Value: 0000 0000 (00h)

|             |             |             |             |             |             |             |             |
|-------------|-------------|-------------|-------------|-------------|-------------|-------------|-------------|
| 7           |             |             |             |             |             |             | 0           |
| CNTR1_<br>7 | CNTR1_<br>6 | CNTR1_<br>5 | CNTR1_<br>4 | CNTR1_<br>3 | CNTR1_<br>2 | CNTR1_<br>1 | CNTR1_<br>0 |

Bits 15:12 = Reserved.

Bits 11:0 = **CNTR1[11:0]** *Counter Value*.

This 12-bit register is read by software and cleared by hardware after a reset. The counter CNTR1 increments continuously as soon as a counter clock is selected. To obtain the 12-bit value, software should read the counter value in two consecutive read operations. As there is no latch, it is recommended to read LSB first. In this case, CNTR1H can be incremented between the two read operations and to have an accurate result when  $f_{timer}=f_{CPU}$ , special care must be taken when CNTR1L values close to FFh are read.

When a counter overflow occurs, the counter restarts from the value specified in the ATR1 register.



**DUAL 12-BIT AUTORELOAD TIMER 4 (Cont'd)****AUTORELOAD REGISTER (ATR1H)**

Read / Write

Reset Value: 0000 0000 (00h)

|    |   |   |   |       |       |      |      |   |
|----|---|---|---|-------|-------|------|------|---|
| 15 |   |   |   |       |       |      |      | 8 |
| 0  | 0 | 0 | 0 | ATR11 | ATR10 | ATR9 | ATR8 |   |

**AUTORELOAD REGISTER (ATR1L)**

Read / Write

Reset Value: 0000 0000 (00h)

|      |      |      |      |      |      |      |      |   |
|------|------|------|------|------|------|------|------|---|
| 7    |      |      |      |      |      |      |      | 0 |
| ATR7 | ATR6 | ATR5 | ATR4 | ATR3 | ATR2 | ATR1 | ATRO |   |

Bits 11:0 = **ATR1[11:0]** *Autoreload Register 1*. This is a 12-bit register which is written by software. The ATR1 register value is automatically loaded into the upcounter CNTR1 when an overflow occurs. The register value is used to set the PWM frequency.

**PWM OUTPUT CONTROL REGISTER (PWMCR)**

Read/Write

Reset Value: 0000 0000 (00h)

|   |     |   |     |   |     |   |     |   |
|---|-----|---|-----|---|-----|---|-----|---|
| 7 |     |   |     |   |     |   |     | 0 |
| 0 | OE3 | 0 | OE2 | 0 | OE1 | 0 | OE0 |   |

Bits 7:0 = **OE[3:0]** *PWMx output enable*. These bits are set and cleared by software and cleared by hardware after a reset.

0: PWM mode disabled. PWMx Output Alternate Function disabled (I/O pin free for general purpose I/O)

1: PWM mode enabled

**PWMx CONTROL STATUS REGISTER (PWMxCSR)**

Read / Write

Reset Value: 0000 0000 (00h)

|   |   |   |   |       |             |     |       |
|---|---|---|---|-------|-------------|-----|-------|
| 7 |   |   |   |       | 0           |     |       |
| 0 | 0 | 0 | 0 | OP_EN | OPEDGE<br>E | OPx | CMPFx |

Bits 7:4= Reserved, must be kept cleared.

Bit 3 = **OP\_EN** *One Pulse Mode Enable*

This bit is read/write by software and cleared by hardware after a reset. This bit enables the One Pulse feature for PWM2 and PWM3. **(Only available for PWM3CSR)**

0: One Pulse mode disabled for PWM2/3.

1: One Pulse mode enabled for PWM2/3.

Bit 2 = **OPEDGE** *One Pulse Edge Selection*.

This bit is read/write by software and cleared by hardware after a reset. This bit selects the polarity of the LTIC signal for One Pulse feature. This bit will be effective only if OP\_EN bit is set. **(Only available for PWM3CSR)**

0: Falling edge of LTIC is selected.

1: Rising edge of LTIC is selected.

Bit 1 = **OPx** *PWMx Output Polarity*.

This bit is read/write by software and cleared by hardware after a reset. This bit selects the polarity of the PWM signal.

0: The PWM signal is not inverted.

1: The PWM signal is inverted.

Bit 0 = **CMPFx** *PWMx Compare Flag*.

This bit is set by hardware and cleared by software by reading the PWMxCSR register. It indicates that the upcounter value matches the Active DCRx register value.

0: Upcounter value does not match DCRx value.

1: Upcounter value matches DCRx value.

DUAL 12-BIT AUTORELOAD TIMER 4 (Cont'd)

**BREAK CONTROL REGISTER (BREAKCR)**

Read/Write

Reset Value: 0000 0000 (00h)

|       |        |    |      |      |      |      |      |
|-------|--------|----|------|------|------|------|------|
| 7     |        |    |      |      |      |      | 0    |
| BRSEL | BREDGE | BA | BPEN | PWM3 | PWM2 | PWM1 | PWM0 |

Bit 7 = **BRSEL** *Break Input Selection*

This bit is read/write by software and cleared by hardware after reset. It selects the active Break signal from external BREAK pin and the output of the comparator.

- 0: External BREAK pin is selected for break mode.
- 1: Comparator output is selected for break mode.

Bit 6 = **BREDGE** *Break Input Edge Selection*

This bit is read/write by software and cleared by hardware after reset. It selects the active level of Break signal.

- 0: Low level of Break selected as active level.
- 1: High level of Break selected as active level.

Bit 5 = **BA** *Break Active.*

This bit is read/write by software, cleared by hardware after reset and set by hardware when the active level defined by the BREDGE bit is applied on the BREAK pin. It activates/deactivates the Break function.

- 0: Break not active
- 1: Break active

Bit 4 = **BPEN** *Break Pin Enable.*

This bit is read/write by software and cleared by hardware after Reset.

- 0: Break pin disabled
- 1: Break pin enabled

Bits 3:0 = **PWM[3:0]** *Break Pattern.*

These bits are read/write by software and cleared by hardware after a reset. They are used to force the four PWMx output signals into a stable state when the Break function is active and corresponding OEx bit is set.

**PWMx DUTY CYCLE REGISTER HIGH (DCRxH)**

Read / Write

Reset Value: 0000 0000 (00h)

|    |   |   |   |       |       |      |      |
|----|---|---|---|-------|-------|------|------|
| 15 |   |   |   |       | 8     |      |      |
| 0  | 0 | 0 | 0 | DCR11 | DCR10 | DCR9 | DCR8 |

Bits 15:12 = Reserved.

**PWMx DUTY CYCLE REGISTER LOW (DCRxL)**

Read / Write

Reset Value: 0000 0000 (00h)

|      |      |      |      |      |      |      |      |
|------|------|------|------|------|------|------|------|
| 7    |      |      |      |      |      |      | 0    |
| DCR7 | DCR6 | DCR5 | DCR4 | DCR3 | DCR2 | DCR1 | DCR0 |

Bits 11:0 = **DCRx[11:0]** *PWMx Duty Cycle Value*  
 This 12-bit value is written by software. It defines the duty cycle of the corresponding PWM output signal (see Figure 4).

In PWM mode (OEx=1 in the PWMCR register) the DCR[11:0] bits define the duty cycle of the PWMx output signal (see Figure 4). In Output Compare mode, they define the value to be compared with the 12-bit upcounter value.

**INPUT CAPTURE REGISTER HIGH (ATICRH)**

Read only

Reset Value: 0000 0000 (00h)

|    |   |   |   |       |       |      |      |
|----|---|---|---|-------|-------|------|------|
| 15 |   |   |   |       | 8     |      |      |
| 0  | 0 | 0 | 0 | ICR11 | ICR10 | ICR9 | ICR8 |

Bits 15:12 = Reserved.

**INPUT CAPTURE REGISTER LOW (ATICRL)**

Read only

Reset Value: 0000 0000 (00h)

|      |      |      |      |      |      |      |      |
|------|------|------|------|------|------|------|------|
| 7    |      |      |      |      |      |      | 0    |
| ICR7 | ICR6 | ICR5 | ICR4 | ICR3 | ICR2 | ICR1 | ICR0 |

**DUAL 12-BIT AUTORELOAD TIMER 4 (Cont'd)**

Bits 11:0 = **ICR[11:0]** *Input Capture Data*.  
This is a 12-bit register which is readable by software and cleared by hardware after a reset. The ATICR register contains captured the value of the 12-bit CNTR1 register when a rising or falling edge occurs on the ATIC or LTIC pin (depending on ICS). Capture will only be performed when the ICF flag is cleared.

**BREAK ENABLE REGISTER (BREAKEN)**

Read/Write

Reset Value: 0000 0011 (03h)

7 0

|   |   |   |   |   |   |       |       |
|---|---|---|---|---|---|-------|-------|
| 0 | 0 | 0 | 0 | 0 | 0 | BREN2 | BREN1 |
|---|---|---|---|---|---|-------|-------|

Bits 7:2 = Reserved, must be kept cleared.

Bit 1 = **BREN2** *Break Enable for Counter 2*  
This bit is read/write by software. It enables the break functionality for Counter2 if BA bit is set in BREAKCR. It controls PWM2/3 if ENCNTR2 bit is set.

0: No Break applied for CNTR2  
1: Break applied for CNTR2

Bit 0 = **BREN1** *Break Enable for Counter 1*  
This bit is read/write by software. It enables the break functionality for Counter1. If BA bit is set, it controls PWM0/1 by default, and controls PWM2/3 also if ENCNTR2 bit is reset.  
0: No Break applied for CNTR1  
1: Break applied for CNTR1

**TIMER CONTROL REGISTER2 (ATCSR2)**

Read/Write

Reset Value: 0000 0011 (03h)

7 0

|            |            |     |        |      |             |       |       |
|------------|------------|-----|--------|------|-------------|-------|-------|
| FORCE<br>2 | FORCE<br>1 | ICS | OVFIE2 | OVF2 | ENCNT<br>R2 | TRAN2 | TRAN1 |
|------------|------------|-----|--------|------|-------------|-------|-------|

Bit 7 = **FORCE2** *Force Counter 2 Overflow*  
This bit is read/set by software. When set, it loads FFFh in the CNTR2 register. It is reset by hard-

ware one CPU clock cycle after counter 2 overflow has occurred.

0 : No effect on CNTR2  
1 : Loads FFFh in CNTR2

**Note:** This bit must not be reset by software

Bit 6 = **FORCE1** *Force Counter 1 Overflow*  
This bit is read/set by software. When set, it loads FFFh in CNTR1 register. It is reset by hardware one CPU clock cycle after counter 1 overflow has occurred.

0 : No effect on CNTR1  
1 : Loads FFFh in CNTR1

**Note:** This bit must not be reset by software

Bit 5 = **ICS** *Input Capture Shorted*  
This bit is read/write by software. It allows the AT-timer CNTR1 to use the LTIC pin for long input capture.  
0 : ATIC for CNTR1 input capture  
1 : LTIC for CNTR1 input capture

Bit 4 = **OVFIE2** *Overflow interrupt 2 enable*  
This bit is read/write by software and controls the overflow interrupt of counter2.  
0: Overflow interrupt disabled.  
1: Overflow interrupt enabled.

Bit 3 = **OVF2** *Overflow Flag*.  
This bit is set by hardware and cleared by software by reading the ATCSR2 register. It indicates the transition of the counter2 from FFFh to ATR2 value.  
0: No counter overflow occurred  
1: Counter overflow occurred

Bit 2 = **ENCNTR2** *Enable counter2 for PWM2/3*  
This bit is read/write by software and switches the PWM2/3 operation to the CNTR2 counter. If this bit is set, PWM2/3 will be generated using CNTR2.  
0: PWM2/3 is generated using CNTR1.  
1: PWM2/3 is generated using CNTR2.

**Note:** Counter 2 gets frozen when the ENCNTR2 bit is reset. When ENCNTR2 is set again, the counter will restart from the last value.

**DUAL 12-BIT AUTORELOAD TIMER 4 (Cont'd)**

**Bit 1 = TRAN2 Transfer enable2**

This bit is read/write by software, cleared by hardware after each completed transfer and set by hardware after reset. It controls the transfers on CNTR2.

It allows the value of the Preload DCRx registers to be transferred to the Active DCRx registers after the next overflow event.

The OPx bits are transferred to the shadow OPx bits in the same way.

**Notes:**

1. DCR2/3 transfer will be controlled using this bit if ENCNTR2 bit is set.
2. This bit must not be reset by software

**Bit 0 = TRAN1 Transfer enable 1**

This bit is read/write by software, cleared by hardware after each completed transfer and set by hardware after reset. It controls the transfers on CNTR1. It allows the value of the Preload DCRx registers to be transferred to the Active DCRx registers after the next overflow event.

The OPx bits are transferred to the shadow OPx bits in the same way.

**Notes:**

1. DCR0,1 transfers are always controlled using this bit.
2. DCR2/3 transfer will be controlled using this bit if ENCNTR2 is reset.
3. This bit must not be reset by software

**AUTORELOAD REGISTER2 (ATR2H)**

Read / Write  
Reset Value: 0000 0000 (00h)

|    |   |   |   |       |       |      |      |
|----|---|---|---|-------|-------|------|------|
| 15 |   |   |   |       | 8     |      |      |
| 0  | 0 | 0 | 0 | ATR11 | ATR10 | ATR9 | ATR8 |

**AUTORELOAD REGISTER (ATR2L)**

Read / Write  
Reset Value: 0000 0000 (00h)

|      |      |      |      |      |      |      |      |
|------|------|------|------|------|------|------|------|
| 7    |      |      |      |      |      |      | 0    |
| ATR7 | ATR6 | ATR5 | ATR4 | ATR3 | ATR2 | ATR1 | ATR0 |

**Bits 11:0 = ATR2[11:0] Autoreload Register 2.**

This is a 12-bit register which is written by software. The ATR2 register value is automatically loaded into the upcounter CNTR2 when an overflow of CNTR2 occurs. The register value is used to set the PWM2/PWM3 frequency when ENCNTR2 is set.

**DEAD TIME GENERATOR REGISTER (DTGR)**

Read/Write  
Reset Value: 0000 0000 (00h)

|     |     |     |     |     |     |     |     |
|-----|-----|-----|-----|-----|-----|-----|-----|
| 7   |     |     |     |     |     |     | 0   |
| DTE | DT6 | DT5 | DT4 | DT3 | DT2 | DT1 | DT0 |

**Bit 7 = DTE Dead Time Enable**

This bit is read/write by software. It enables a dead time generation on PWM0/PWM1.  
0: No Dead time insertion.  
1: Dead time insertion enabled.

**Bits 6:0 = DT[6:0] Dead Time Value**

These bits are read/write by software. They define the dead time inserted between PWM0/PWM1. Dead time is calculated as follows:

Dead Time = DT[6:0] x Tcounter1

**Note:**

1. If DTE is set and DT[6:0]=0, PWM output signals will be at their reset state.

## DUAL 12-BIT AUTORELOAD TIMER 4 (Cont'd)

Table 14. Register Map and Reset Values

| Address (Hex.) | Register Label                | 7            | 6            | 5            | 4            | 3             | 2             | 1            | 0            |
|----------------|-------------------------------|--------------|--------------|--------------|--------------|---------------|---------------|--------------|--------------|
| 0D             | <b>ATCSR</b><br>Reset Value   | 0            | ICF<br>0     | ICIE<br>0    | CK1<br>0     | CK0<br>0      | OVF1<br>0     | OVFIE1<br>0  | CMPIE<br>0   |
| 0E             | <b>CNTR1H</b><br>Reset Value  | 0            | 0            | 0            | 0            | CNTR1_11<br>0 | CNTR1_10<br>0 | CNTR1_9<br>0 | CNTR1_8<br>0 |
| 0F             | <b>CNTR1L</b><br>Reset Value  | CNTR1_7<br>0 | CNTR1_8<br>0 | CNTR1_7<br>0 | CNTR1_6<br>0 | CNTR1_3<br>0  | CNTR1_2<br>0  | CNTR1_1<br>0 | CNTR1_0<br>0 |
| 10             | <b>ATR1H</b><br>Reset Value   | 0            | 0            | 0            | 0            | ATR11<br>0    | ATR10<br>0    | ATR9<br>0    | ATR8<br>0    |
| 11             | <b>ATR1L</b><br>Reset Value   | ATR7<br>0    | ATR6<br>0    | ATR5<br>0    | ATR4<br>0    | ATR3<br>0     | ATR2<br>0     | ATR1<br>0    | ATR0<br>0    |
| 12             | <b>PWMCR</b><br>Reset Value   | 0            | OE3<br>0     | 0            | OE2<br>0     | 0             | OE1<br>0      | 0            | OE0<br>0     |
| 13             | <b>PWM0CSR</b><br>Reset Value | 0            | 0            | 0            | 0            | 0             | 0             | OP0<br>0     | CMPF0<br>0   |
| 14             | <b>PWM1CSR</b><br>Reset Value | 0            | 0            | 0            | 0            | 0             | 0             | OP1<br>0     | CMPF1<br>0   |
| 15             | <b>PWM2CSR</b><br>Reset Value | 0            | 0            | 0            | 0            | 0             | 0             | OP2<br>0     | CMPF2<br>0   |
| 16             | <b>PWM3CSR</b><br>Reset Value | 0            | 0            | 0            | 0            | OP_EN<br>0    | OPEDGE<br>0   | OP3<br>0     | CMPF3<br>0   |
| 17             | <b>DCR0H</b><br>Reset Value   | 0            | 0            | 0            | 0            | DCR11<br>0    | DCR10<br>0    | DCR9<br>0    | DCR8<br>0    |
| 18             | <b>DCR0L</b><br>Reset Value   | DCR7<br>0    | DCR6<br>0    | DCR5<br>0    | DCR4<br>0    | DCR3<br>0     | DCR2<br>0     | DCR1<br>0    | DCR0<br>0    |
| 19             | <b>DCR1H</b><br>Reset Value   | 0            | 0            | 0            | 0            | DCR11<br>0    | DCR10<br>0    | DCR9<br>0    | DCR8<br>0    |
| 1A             | <b>DCR1L</b><br>Reset Value   | DCR7<br>0    | DCR6<br>0    | DCR5<br>0    | DCR4<br>0    | DCR3<br>0     | DCR2<br>0     | DCR1<br>0    | DCR0<br>0    |
| 1B             | <b>DCR2H</b><br>Reset Value   | 0            | 0            | 0            | 0            | DCR11<br>0    | DCR10<br>0    | DCR9<br>0    | DCR8<br>0    |
| 1C             | <b>DCR2L</b><br>Reset Value   | DCR7<br>0    | DCR6<br>0    | DCR5<br>0    | DCR4<br>0    | DCR3<br>0     | DCR2<br>0     | DCR1<br>0    | DCR0<br>0    |
| 1D             | <b>DCR3H</b><br>Reset Value   | 0            | 0            | 0            | 0            | DCR11<br>0    | DCR10<br>0    | DCR9<br>0    | DCR8<br>0    |
| 1E             | <b>DCR3L</b><br>Reset Value   | DCR7<br>0    | DCR6<br>0    | DCR5<br>0    | DCR4<br>0    | DCR3<br>0     | DCR2<br>0     | DCR1<br>0    | DCR0<br>0    |
| 1F             | <b>ATICRH</b><br>Reset Value  | 0            | 0            | 0            | 0            | ICR11<br>0    | ICR10<br>0    | ICR9<br>0    | ICR8<br>0    |
| 20             | <b>ATICRL</b><br>Reset Value  | ICR7<br>0    | ICR6<br>0    | ICR5<br>0    | ICR4<br>0    | ICR3<br>0     | ICR2<br>0     | ICR1<br>0    | ICR0<br>0    |

| Address (Hex.) | Register Label                | 7           | 6           | 5         | 4           | 3          | 2            | 1          | 0          |
|----------------|-------------------------------|-------------|-------------|-----------|-------------|------------|--------------|------------|------------|
| 21             | <b>ATCSR2</b><br>Reset Value  | FORCE2<br>0 | FORCE1<br>0 | ICS<br>0  | OVFIE2<br>0 | OVF2<br>0  | ENCNTR2<br>0 | TRAN2<br>1 | TRAN1<br>1 |
| 22             | <b>BREAKCR</b><br>Reset Value | BRSEL<br>0  | BREDGE<br>0 | BA<br>0   | BPEN<br>0   | PWM3<br>0  | PWM2<br>0    | PWM1<br>0  | PWM0<br>0  |
| 23             | <b>ATR2H</b><br>Reset Value   | 0           | 0           | 0         | 0           | ATR11<br>0 | ATR10<br>0   | ATR9<br>0  | ATR8<br>0  |
| 24             | <b>ATR2L</b><br>Reset Value   | ATR7<br>0   | ATR6<br>0   | ATR5<br>0 | ATR4<br>0   | ATR3<br>0  | ATR2<br>0    | ATR1<br>0  | ATR0<br>0  |
| 25             | <b>DTGR</b><br>Reset Value    | DTE<br>0    | DT6<br>0    | DT5<br>0  | DT4<br>0    | DT3<br>0   | DT2<br>0     | DT1<br>0   | DT0<br>0   |
| 26             | <b>BREAKEN</b><br>Reset Value | 0           | 0           | 0         | 0           | 0          | 0            | BREN2<br>1 | BREN1<br>1 |

## 11.3 LITE TIMER 2 (LT2)

### 11.3.1 Introduction

The Lite Timer can be used for general-purpose timing functions. It is based on two free-running 8-bit upcounters and an 8-bit input capture register.

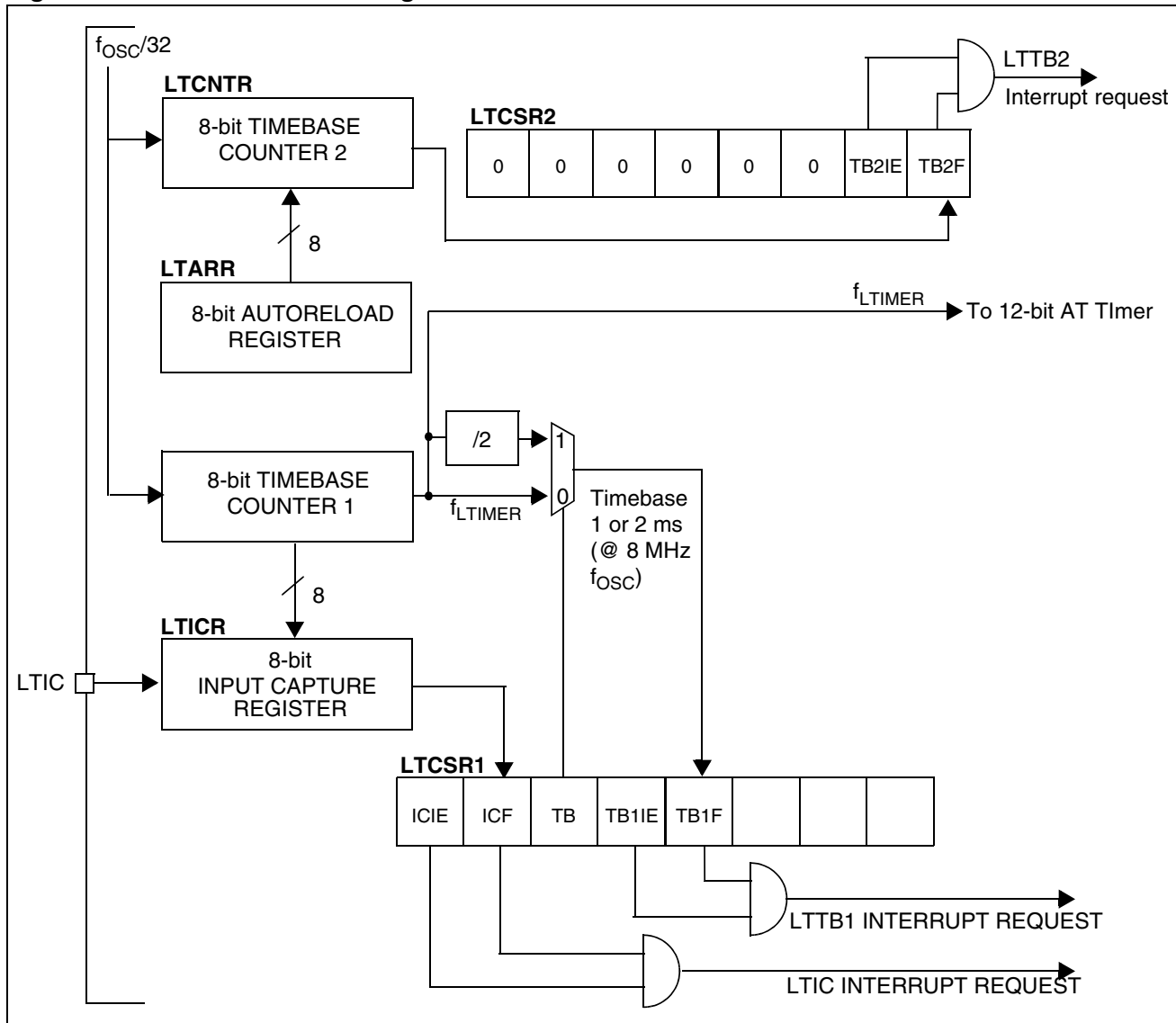
### 11.3.2 Main Features

#### ■ Realtime Clock

- One 8-bit upcounter 1 ms or 2 ms timebase period (@ 8 MHz  $f_{osc}$ )

- One 8-bit upcounter with autoreload and programmable timebase period from 4 $\mu$ s to 1.024ms in 4 $\mu$ s increments (@ 8 MHz  $f_{osc}$ )
- 2 Maskable timebase interrupts
- Input Capture
  - 8-bit input capture register (LTICR)
  - Maskable interrupt with wake-up from Halt mode capability

Figure 51. Lite Timer 2 Block Diagram



LITE TIMER (Cont'd)

11.3.3 Functional Description

11.3.3.1 Timebase Counter 1

The 8-bit value of Counter 1 cannot be read or written by software. After an MCU reset, it starts incrementing from 0 at a frequency of  $f_{OSC}/32$ . An overflow event occurs when the counter rolls over from F9h to 00h. If  $f_{OSC} = 8\text{ MHz}$ , then the time period between two counter overflow events is 1 ms. This period can be doubled by setting the TB bit in the LTCSR1 register.

When Counter 1 overflows, the TB1F bit is set by hardware and an interrupt request is generated if the TB1IE bit is set. The TB1F bit is cleared by software reading the LTCSR1 register.

11.3.3.2 Input Capture

The 8-bit input capture register is used to latch the free-running upcounter (Counter 1) 1 after a rising or falling edge is detected on the LTIC pin. When an input capture occurs, the ICF bit is set and the LTICR register contains the counter 1 value. An in-

terrupt is generated if the ICIE bit is set. The ICF bit is cleared by reading the LTICR register.

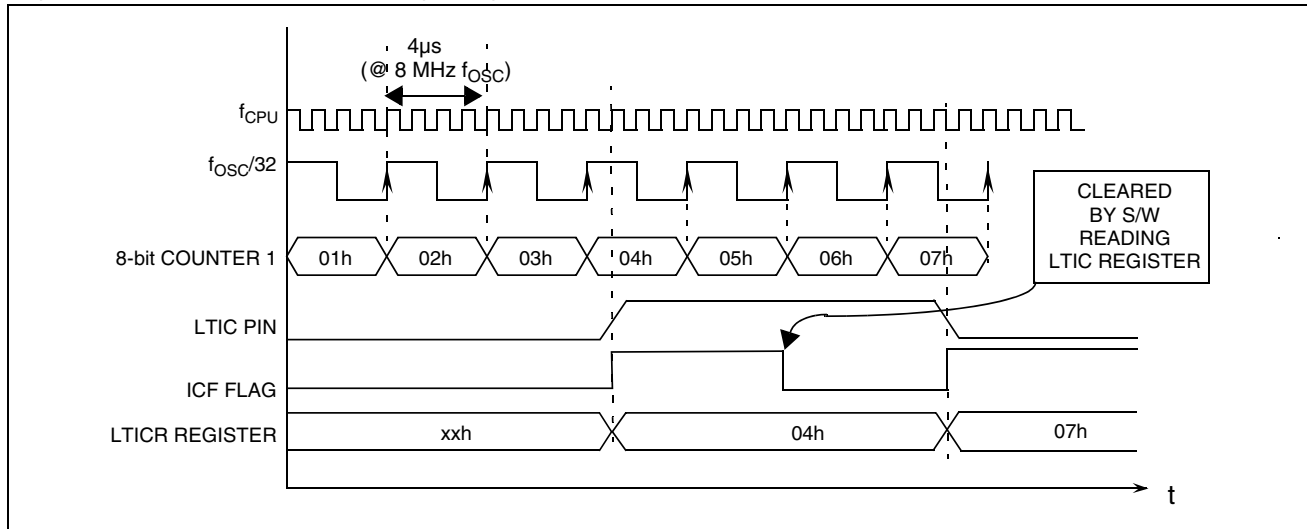
The LTICR is a read-only register and always contains the data from the last input capture. Input capture is inhibited if the ICF bit is set.

11.3.3.3 Timebase Counter 2

Counter 2 is an 8-bit autoreload upcounter. It can be read by accessing the LTCNTR register. After an MCU reset, it increments at a frequency of  $f_{OSC}/32$  starting from the value stored in the LTARR register. A counter overflow event occurs when the counter rolls over from FFh to the LTARR reload value. Software can write a new value at any time in the LTARR register, this value will be automatically loaded in the counter when the next overflow occurs.

When Counter 2 overflows, the TB2F bit in the LTCSR2 register is set by hardware and an interrupt request is generated if the TB2IE bit is set. The TB2F bit is cleared by software reading the LTCSR2 register.

Figure 52. Input Capture Timing Diagram.





## LITE TIMER (Cont'd)

## 11.3.4 Low Power Modes

| Mode        | Description   |
|-------------|---|
| SLOW        | No effect on Lite timer (this peripheral is driven directly by $f_{OSC}/32$ ) |
| WAIT        | No effect on Lite timer   |
| ACTIVE HALT | No effect on Lite timer   |
| HALT        | Lite timer stops counting   |

## 11.3.5 Interrupts

| Interrupt Event  | Event Flag | Enable Control Bit | Exit from Wait | Exit from Active Halt | Exit from Halt |
|------------------|------------|--------------------|----------------|-----------------------|----------------|
| Timebase 1 Event | TB1F       | TB1IE              | Yes            | Yes                   | No             |
| Timebase 2 Event | TB2F       | TB2IE              |                | No                    |                |
| IC Event         | ICF        | ICIE               |                | No                    |                |

**Note:** The TBxF and ICF interrupt events are connected to separate interrupt vectors (see Interrupts chapter).

They generate an interrupt if the enable bit is set in the LTCSR1 or LTCSR2 register and the interrupt mask in the CC register is reset (RIM instruction).

## 11.3.6 Register Description

## LITE TIMER CONTROL/STATUS REGISTER 2 (LTCSR2)

Read / Write

Reset Value: 0000 0000 (00h)

|   |   |   |   |   |   |       |      |
|---|---|---|---|---|---|-------|------|
| 7 |   |   |   |   |   |       | 0    |
| 0 | 0 | 0 | 0 | 0 | 0 | TB2IE | TB2F |

Bits 7:2 = Reserved, must be kept cleared.

Bit 1 = **TB2IE** *Timebase 2 Interrupt enable*

This bit is set and cleared by software.

0: Timebase (TB2) interrupt disabled

1: Timebase (TB2) interrupt enabled

Bit 0 = **TB2F** *Timebase 2 Interrupt Flag*

This bit is set by hardware and cleared by software

reading the LTCSR register. Writing to this bit has no effect.

0: No Counter 2 overflow

1: A Counter 2 overflow has occurred

## LITE TIMER AUTORELOAD REGISTER (LTARR)

Read / Write

Reset Value: 0000 0000 (00h)

|     |     |     |     |     |     |     |     |
|-----|-----|-----|-----|-----|-----|-----|-----|
| 7   |     |     |     |     |     |     | 0   |
| AR7 | AR6 | AR5 | AR4 | AR3 | AR2 | AR1 | AR0 |

Bits 7:0 = **AR[7:0]** *Counter 2 Reload Value*

These bits register is read/write by software. The LTARR value is automatically loaded into Counter 2 (LTCNTR) when an overflow occurs.

## LITE TIMER COUNTER 2 (LTCNTR)

Read only

Reset Value: 0000 0000 (00h)

|      |      |      |      |      |      |      |      |
|------|------|------|------|------|------|------|------|
| 7    |      |      |      |      |      |      | 0    |
| CNT7 | CNT6 | CNT5 | CNT4 | CNT3 | CNT2 | CNT1 | CNT0 |

Bits 7:0 = **CNT[7:0]** *Counter 2 Reload Value*

This register is read by software. The LTARR value is automatically loaded into Counter 2 (LTCNTR) when an overflow occurs.

## LITE TIMER CONTROL/STATUS REGISTER (LTCSR1)

Read / Write

Reset Value: 0x00 0000 (x0h)

|      |     |    |       |      |   |   |   |
|------|-----|----|-------|------|---|---|---|
| 7    |     |    |       |      |   |   | 0 |
| ICIE | ICF | TB | TB1IE | TB1F | - | - | - |

Bit 7 = **ICIE** *Interrupt Enable*

This bit is set and cleared by software.

0: Input Capture (IC) interrupt disabled

1: Input Capture (IC) interrupt enabled

## LITE TIMER (Cont'd)

### Bit 6 = **ICF** *Input Capture Flag*

This bit is set by hardware and cleared by software by reading the LTICR register. Writing to this bit does not change the bit value.

0: No input capture

1: An input capture has occurred

**Note:** After an MCU reset, software must initialize the ICF bit by reading the LTICR register

### Bit 5 = **TB** *Timebase period selection*

This bit is set and cleared by software.

0: Timebase period =  $t_{OSC} * 8000$  (1ms @ 8 MHz)

1: Timebase period =  $t_{OSC} * 16000$  (2ms @ 8 MHz)

### Bit 4 = **TB1IE** *Timebase Interrupt enable*

This bit is set and cleared by software.

0: Timebase (TB1) interrupt disabled

1: Timebase (TB1) interrupt enabled

### Bit 3 = **TB1F** *Timebase Interrupt Flag*

This bit is set by hardware and cleared by software reading the LTCSR register. Writing to this bit has no effect.

0: No counter overflow

1: A counter overflow has occurred

Bits 2:0 = Reserved

## LITE TIMER INPUT CAPTURE REGISTER (LTICR)

Read only

Reset Value: 0000 0000 (00h)

7

0

|      |      |      |      |      |      |      |      |
|------|------|------|------|------|------|------|------|
| ICR7 | ICR6 | ICR5 | ICR4 | ICR3 | ICR2 | ICR1 | ICR0 |
|------|------|------|------|------|------|------|------|

### Bits 7:0 = **ICR[7:0]** *Input Capture Value*

These bits are read by software and cleared by hardware after a reset. If the ICF bit in the LTCSR is cleared, the value of the 8-bit up-counter will be captured when a rising or falling edge occurs on the LTIC pin.

## LITE TIMER (Cont'd)

Table 15. Lite Timer Register Map and Reset Values

| Address (Hex.) | Register Label               | 7         | 6         | 5         | 4          | 3         | 2         | 1          | 0         |
|----------------|------------------------------|-----------|-----------|-----------|------------|-----------|-----------|------------|-----------|
| 08             | <b>LTCSR2</b><br>Reset Value | 0         | 0         | 0         | 0          | 0         | 0         | TB2IE<br>0 | TB2F<br>0 |
| 09             | <b>LTARR</b><br>Reset Value  | AR7<br>0  | AR6<br>0  | AR5<br>0  | AR4<br>0   | AR3<br>0  | AR2<br>0  | AR1<br>0   | AR0<br>0  |
| 0A             | <b>LTCNTR</b><br>Reset Value | CNT7<br>0 | CNT6<br>0 | CNT5<br>0 | CNT4<br>0  | CNT3<br>0 | CNT2<br>0 | CNT1<br>0  | CNT0<br>0 |
| 0B             | <b>LTCSR1</b><br>Reset Value | ICIE<br>0 | ICF<br>x  | TB<br>0   | TB1IE<br>0 | TB1F<br>0 | 0         | 0          | 0         |
| 0C             | <b>LTICR</b><br>Reset Value  | ICR7<br>0 | ICR6<br>0 | ICR5<br>0 | ICR4<br>0  | ICR3<br>0 | ICR2<br>0 | ICR1<br>0  | ICR0<br>0 |

## ON-CHIP PERIPHERALS (cont'd)

## 11.4 SERIAL PERIPHERAL INTERFACE (SPI)

## 11.4.1 Introduction

The Serial Peripheral Interface (SPI) allows full-duplex, synchronous, serial communication with external devices. An SPI system may consist of a master and one or more slaves or a system in which devices may be either masters or slaves.

## 11.4.2 Main Features

- Full duplex synchronous transfers (on three lines)
- Simplex synchronous transfers (on two lines)
- Master or slave operation
- 6 master mode frequencies ( $f_{CPU}/4$  max.)
- $f_{CPU}/2$  max. slave mode frequency (see note)
- $\overline{SS}$  Management by software or hardware
- Programmable clock polarity and phase
- End of transfer interrupt flag
- Write collision, Master Mode Fault and Overrun flags

**Note:** In slave mode, continuous transmission is not possible at maximum frequency due to the software overhead for clearing status flags and to initiate the next transmission sequence.

## 11.4.3 General Description

Figure 1 on page 3 shows the serial peripheral interface (SPI) block diagram. There are three registers:

- SPI Control Register (SPICR)
- SPI Control/Status Register (SPICSR)
- SPI Data Register (SPIDR)

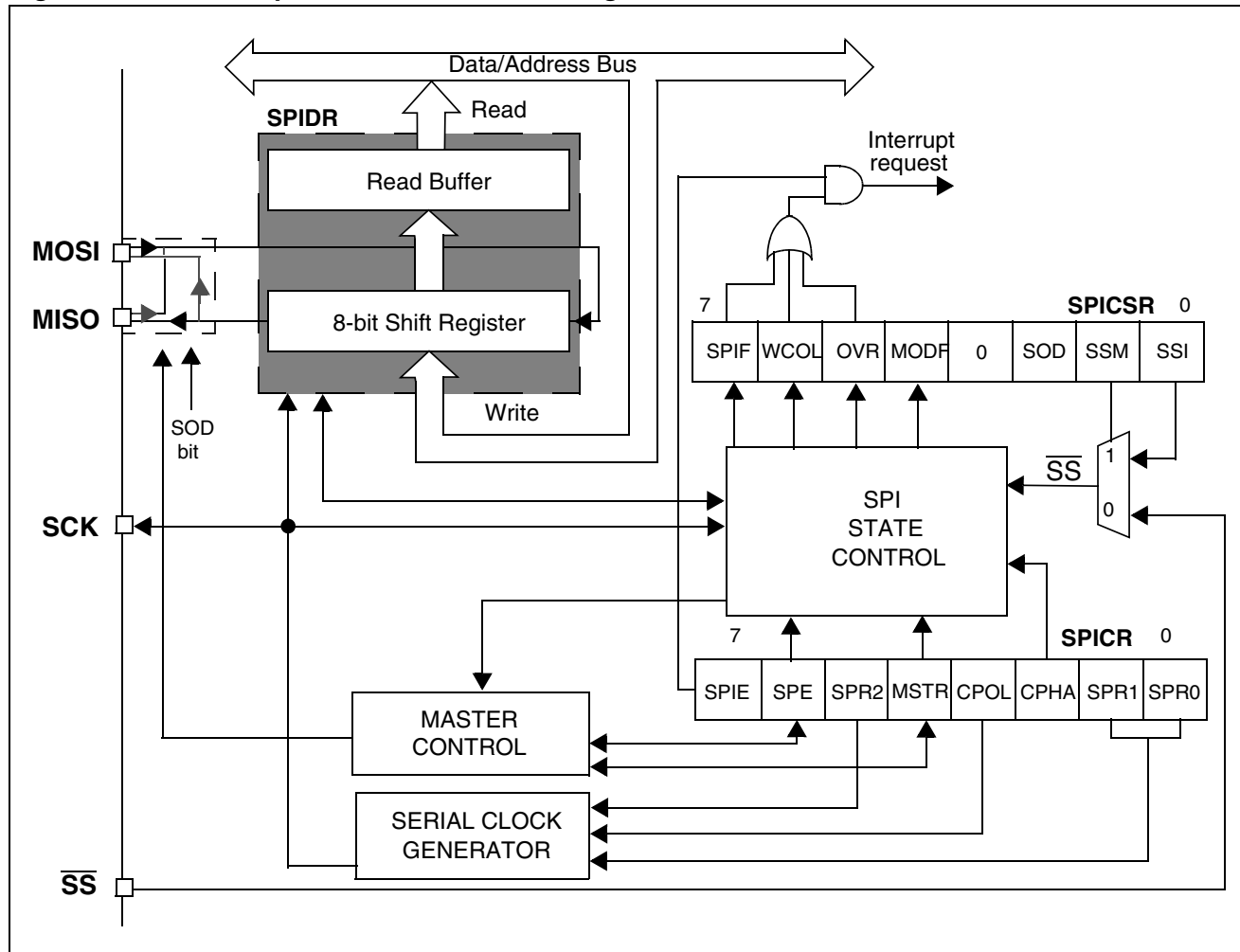
The SPI is connected to external devices through four pins:

- MISO: Master In / Slave Out data
- MOSI: Master Out / Slave In data
- SCK: Serial Clock out by SPI masters and input by SPI slaves
- $\overline{SS}$ : Slave select:

This input signal acts as a 'chip select' to let the SPI master communicate with slaves individually and to avoid contention on the data lines. Slave  $\overline{SS}$  inputs can be driven by standard I/O ports on the master Device.

## SERIAL PERIPHERAL INTERFACE (SPI) (cont'd)

Figure 53. Serial Peripheral Interface Block Diagram



## SERIAL PERIPHERAL INTERFACE (cont'd)

## 11.4.3.1 Functional Description

A basic example of interconnections between a single master and a single slave is illustrated in Figure 2.

The MOSI pins are connected together and the MISO pins are connected together. In this way data is transferred serially between master and slave (most significant bit first).

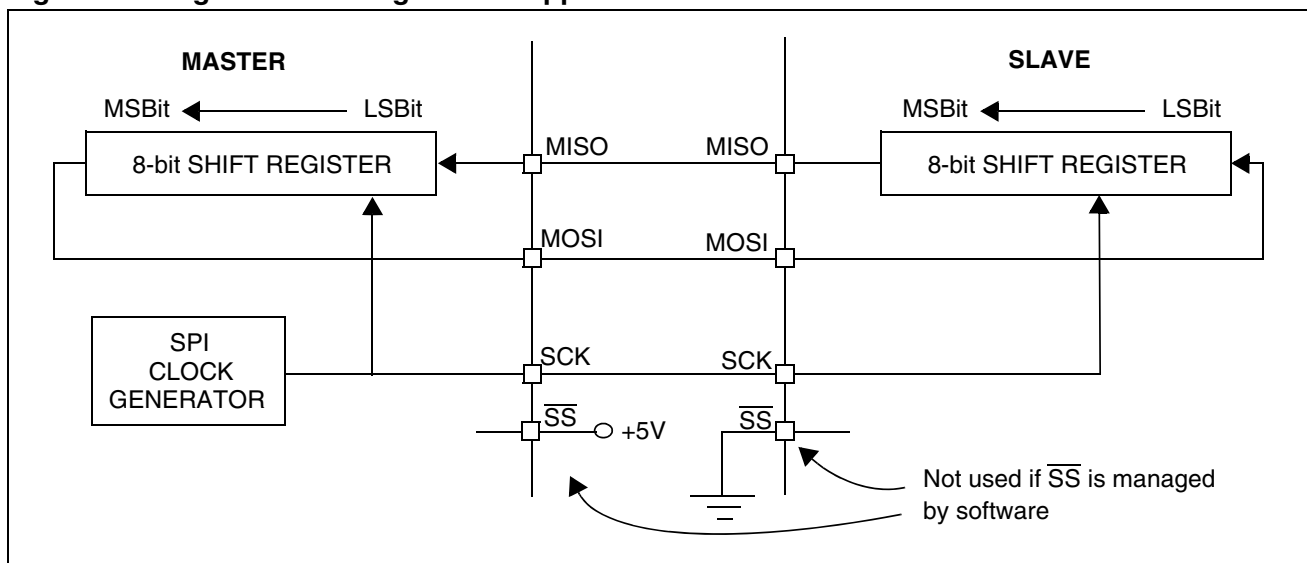
The communication is always initiated by the master. When the master device transmits data to a slave device via MOSI pin, the slave device responds by sending data to the master device via

the MISO pin. This implies full duplex communication with both data out and data in synchronized with the same clock signal (which is provided by the master device via the SCK pin).

To use a single data line, the MISO and MOSI pins must be connected at each node (in this case only simplex communication is possible).

Four possible data/clock timing relationships may be chosen (see Figure 5 on page 7) but master and slave must be programmed with the same timing mode.

Figure 54. Single Master/ Single Slave Application



## SERIAL PERIPHERAL INTERFACE (cont'd)

### 11.4.3.2 Slave Select Management

As an alternative to using the  $\overline{SS}$  pin to control the Slave Select signal, the application can choose to manage the Slave Select signal by software. This is configured by the SSM bit in the SPICSR register (see Figure 4).

In software management, the external  $\overline{SS}$  pin is free for other application uses and the internal  $\overline{SS}$  signal level is driven by writing to the SSI bit in the SPICSR register.

#### In Master mode:

- $\overline{SS}$  internal must be held high continuously

#### In Slave Mode:

There are two cases depending on the data/clock timing relationship (see Figure 3):

If CPHA = 1 (data latched on second clock edge):

- $\overline{SS}$  internal must be held low during the entire transmission. This implies that in single slave applications the  $\overline{SS}$  pin either can be tied to  $V_{SS}$ , or made free for standard I/O by managing the  $\overline{SS}$  function by software (SSM = 1 and SSI = 0 in the in the SPICSR register)

If CPHA = 0 (data latched on first clock edge):

- $\overline{SS}$  internal must be held low during byte transmission and pulled high between each byte to allow the slave to write to the shift register. If  $\overline{SS}$  is not pulled high, a Write Collision error will occur when the slave writes to the shift register (see Section 0.1.5.3).

Figure 55. Generic  $\overline{SS}$  Timing Diagram

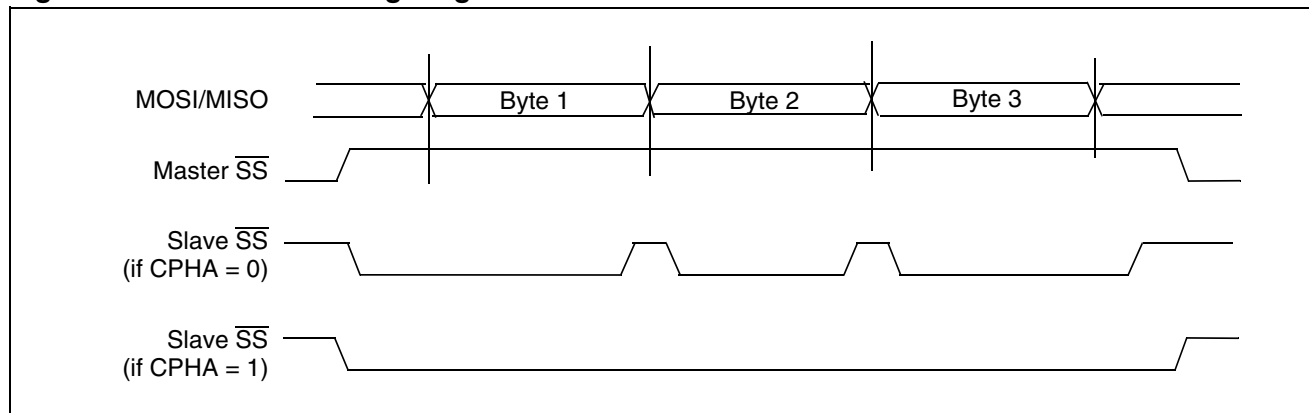
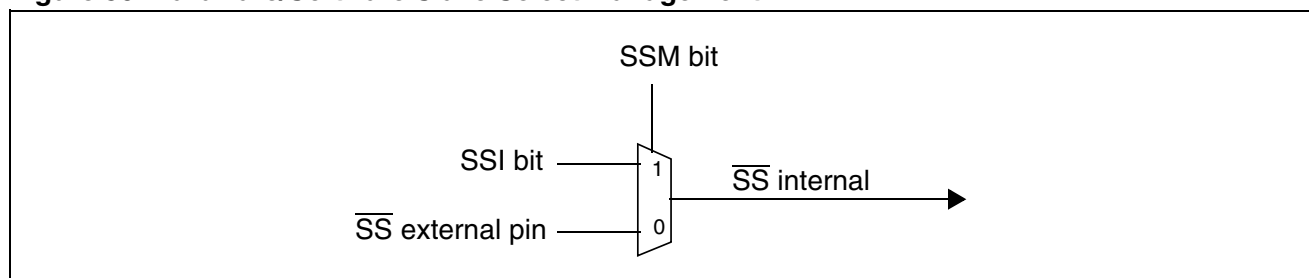


Figure 56. Hardware/Software Slave Select Management



## SERIAL PERIPHERAL INTERFACE (cont'd)

## 11.4.3.3 Master Mode Operation

In master mode, the serial clock is output on the SCK pin. The clock frequency, polarity and phase are configured by software (refer to the description of the SPICSR register).

**Note:** The idle state of SCK must correspond to the polarity selected in the SPICSR register (by pulling up SCK if CPOL = 1 or pulling down SCK if CPOL = 0).

## How to operate the SPI in master mode

To operate the SPI in master mode, perform the following steps in order:

1. Write to the SPICR register:
  - Select the clock frequency by configuring the SPR[2:0] bits.
  - Select the clock polarity and clock phase by configuring the CPOL and CPHA bits. [Figure 5](#) shows the four possible configurations.
 

**Note:** The slave must have the same CPOL and CPHA settings as the master.
2. Write to the SPICSR register:
  - Either set the SSM bit and set the SSI bit or clear the SSM bit and tie the SS pin high for the complete byte transmit sequence.
3. Write to the SPICR register:
  - Set the MSTR and SPE bits
 

**Note:** MSTR and SPE bits remain set only if SS is high).

**Important note:** if the SPICSR register is not written first, the SPICR register setting (MSTR bit) may be not taken into account.

The transmit sequence begins when software writes a byte in the SPIDR register.

## 11.4.3.4 Master Mode Transmit Sequence

When software writes to the SPIDR register, the data byte is loaded into the 8-bit shift register and then shifted out serially to the MOSI pin most significant bit first.

When data transfer is complete:

- The SPIF bit is set by hardware.
- An interrupt request is generated if the SPIE bit is set and the interrupt mask in the CCR register is cleared.

Clearing the SPIF bit is performed by the following software sequence:

1. An access to the SPICSR register while the SPIF bit is set
2. A read to the SPIDR register

**Note:** While the SPIF bit is set, all writes to the SPIDR register are inhibited until the SPICSR register is read.

## 11.4.3.5 Slave Mode Operation

In slave mode, the serial clock is received on the SCK pin from the master device.

To operate the SPI in slave mode:

1. Write to the SPICSR register to perform the following actions:
  - Select the clock polarity and clock phase by configuring the CPOL and CPHA bits (see [Figure 5](#)).
 

**Note:** The slave must have the same CPOL and CPHA settings as the master.
  - Manage the  $\overline{SS}$  pin as described in [Section 0.1.3.2](#) and [Figure 3](#). If CPHA = 1 SS must be held low continuously. If CPHA = 0 SS must be held low during byte transmission and pulled up between each byte to let the slave write in the shift register.
2. Write to the SPICR register to clear the MSTR bit and set the SPE bit to enable the SPI I/O functions.

## 11.4.3.6 Slave Mode Transmit Sequence

When software writes to the SPIDR register, the data byte is loaded into the 8-bit shift register and then shifted out serially to the MISO pin most significant bit first.

The transmit sequence begins when the slave device receives the clock signal and the most significant bit of the data on its MOSI pin.

When data transfer is complete:

- The SPIF bit is set by hardware.
- An interrupt request is generated if SPIE bit is set and interrupt mask in the CCR register is cleared.

Clearing the SPIF bit is performed by the following software sequence:

1. An access to the SPICSR register while the SPIF bit is set
2. A write or a read to the SPIDR register

**Notes:** While the SPIF bit is set, all writes to the SPIDR register are inhibited until the SPICSR register is read.

The SPIF bit can be cleared during a second transmission; however, it must be cleared before the second SPIF bit in order to prevent an Overrun condition (see [Section 0.1.5.2](#)).



## SERIAL PERIPHERAL INTERFACE (cont'd)

### 11.4.4 Clock Phase and Clock Polarity

Four possible timing relationships may be chosen by software, using the CPOL and CPHA bits (See Figure 5).

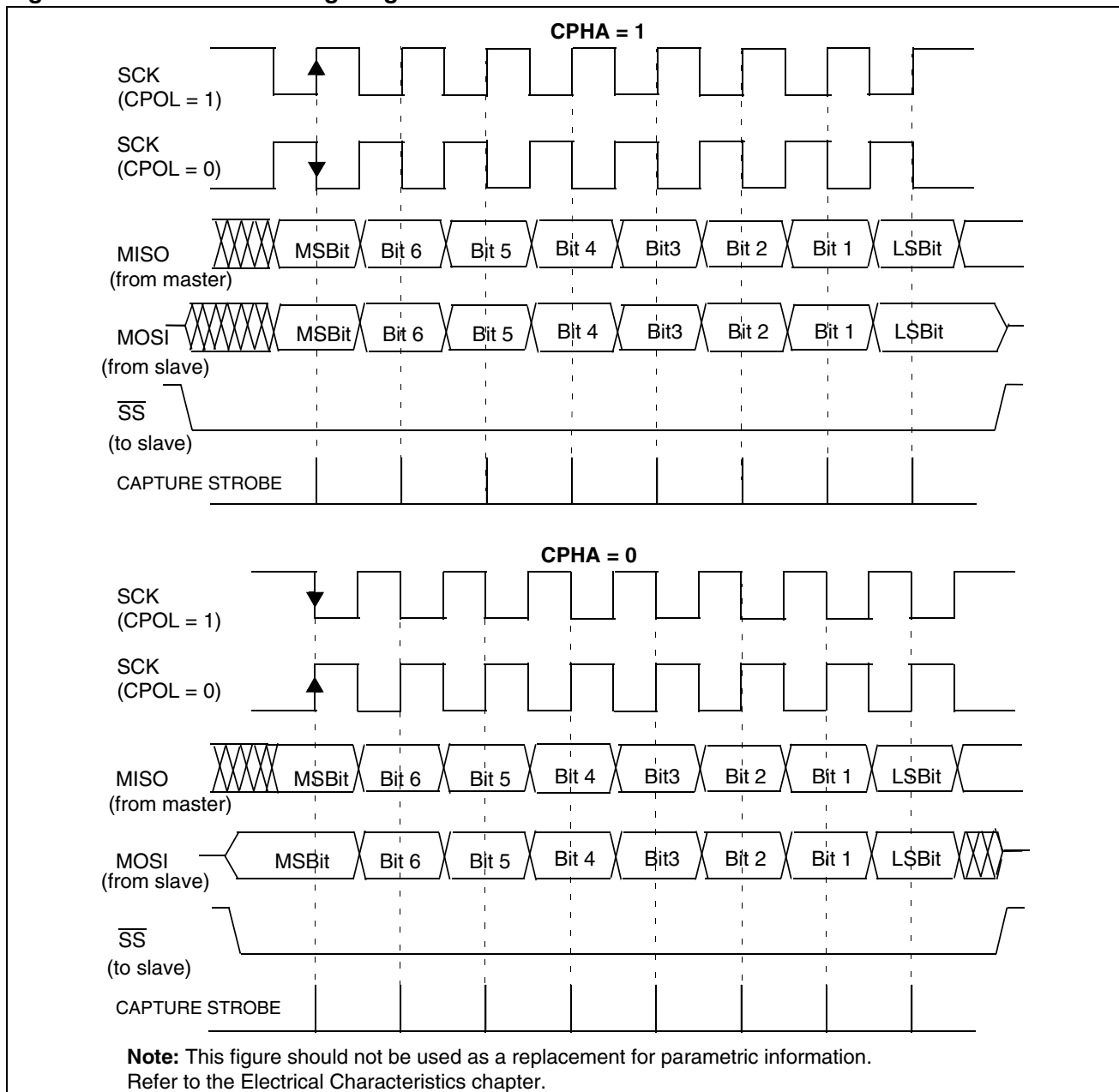
**Note:** The idle state of SCK must correspond to the polarity selected in the SPICSR register (by pulling up SCK if CPOL = 1 or pulling down SCK if CPOL = 0).

The combination of the CPOL clock polarity and CPHA (clock phase) bits selects the data capture clock edge.

Figure 5 shows an SPI transfer with the four combinations of the CPHA and CPOL bits. The diagram may be interpreted as a master or slave timing diagram where the SCK pin, the MISO pin and the MOSI pin are directly connected between the master and the slave device.

**Note:** If CPOL is changed at the communication byte boundaries, the SPI must be disabled by resetting the SPE bit.

Figure 57. Data Clock Timing Diagram



## SERIAL PERIPHERAL INTERFACE (cont'd)

## 11.4.5 Error Flags

## 11.4.5.1 Master Mode Fault (MODF)

Master mode fault occurs when the master device's SS pin is pulled low.

When a Master mode fault occurs:

- The MODF bit is set and an SPI interrupt request is generated if the SPIE bit is set.
- The SPE bit is reset. This blocks all output from the device and disables the SPI peripheral.
- The MSTR bit is reset, thus forcing the device into slave mode.

Clearing the MODF bit is done through a software sequence:

1. A read access to the SPICSR register while the MODF bit is set.
2. A write to the SPICR register.

**Notes:** To avoid any conflicts in an application with multiple slaves, the SS pin must be pulled high during the MODF bit clearing sequence. The SPE and MSTR bits may be restored to their original state during or after this clearing sequence.

Hardware does not allow the user to set the SPE and MSTR bits while the MODF bit is set except in the MODF bit clearing sequence.

In a slave device, the MODF bit can not be set, but in a multimaster configuration the device can be in slave mode with the MODF bit set.

The MODF bit indicates that there might have been a multimaster conflict and allows software to handle this using an interrupt routine and either perform a reset or return to an application default state.

## 11.4.5.2 Overrun Condition (OVR)

An overrun condition occurs when the master device has sent a data byte and the slave device has not cleared the SPIF bit issued from the previously transmitted byte.

When an Overrun occurs:

- The OVR bit is set and an interrupt request is generated if the SPIE bit is set.

In this case, the receiver buffer contains the byte sent after the SPIF bit was last cleared. A read to the SPIDR register returns this byte. All other bytes are lost.

The OVR bit is cleared by reading the SPICSR register.

## 11.4.5.3 Write Collision Error (WCOL)

A write collision occurs when the software tries to write to the SPIDR register while a data transfer is taking place with an external device. When this happens, the transfer continues uninterrupted and the software write will be unsuccessful.

Write collisions can occur both in master and slave mode. See also [Section 0.1.3.2 Slave Select Management](#).

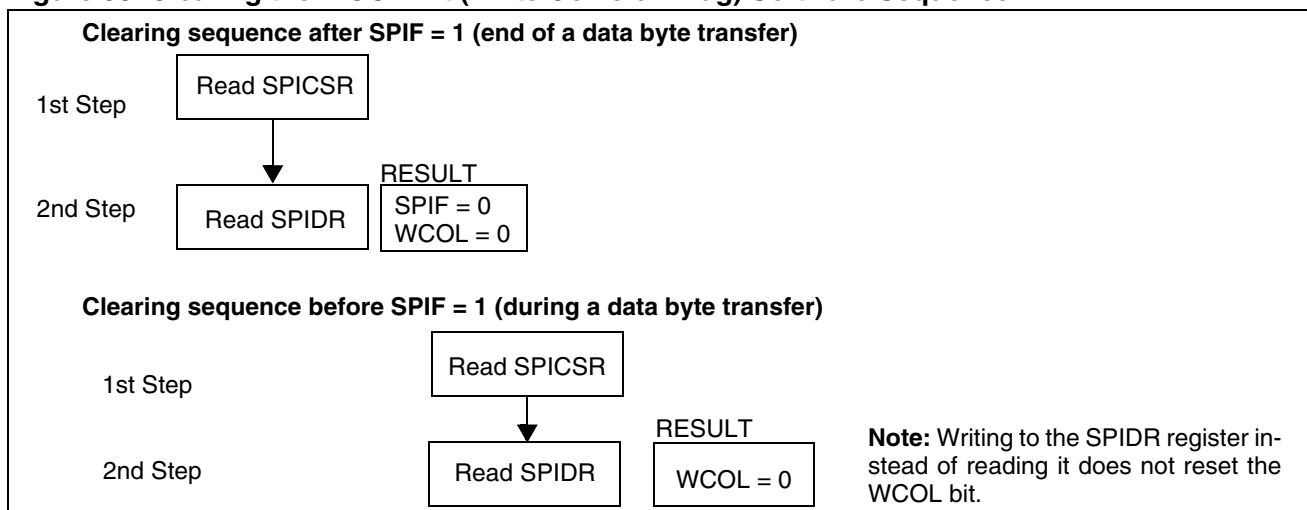
**Note:** A "read collision" will never occur since the received data byte is placed in a buffer in which access is always synchronous with the CPU operation.

The WCOL bit in the SPICSR register is set if a write collision occurs.

No SPI interrupt is generated when the WCOL bit is set (the WCOL bit is a status flag only).

Clearing the WCOL bit is done through a software sequence (see [Figure 6](#)).

**Figure 58. Clearing the WCOL Bit (Write Collision Flag) Software Sequence**



## SERIAL PERIPHERAL INTERFACE (cont'd)

### 11.4.5.4 Single Master and Multimaster Configurations

There are two types of SPI systems:

- Single Master System
- Multimaster System

#### Single Master System

A typical single master system may be configured using a device as the master and four devices as slaves (see [Figure 7](#)).

The master device selects the individual slave devices by using four pins of a parallel port to control the four  $\overline{SS}$  pins of the slave devices.

The  $\overline{SS}$  pins are pulled high during reset since the master device ports will be forced to be inputs at that time, thus disabling the slave devices.

**Note:** To prevent a bus conflict on the MISO line, the master allows only one active slave device during a transmission.

For more security, the slave device may respond to the master with the received data byte. Then the master will receive the previous byte back from the slave device if all MISO and MOSI pins are connected and the slave has not written to its SPIDR register.

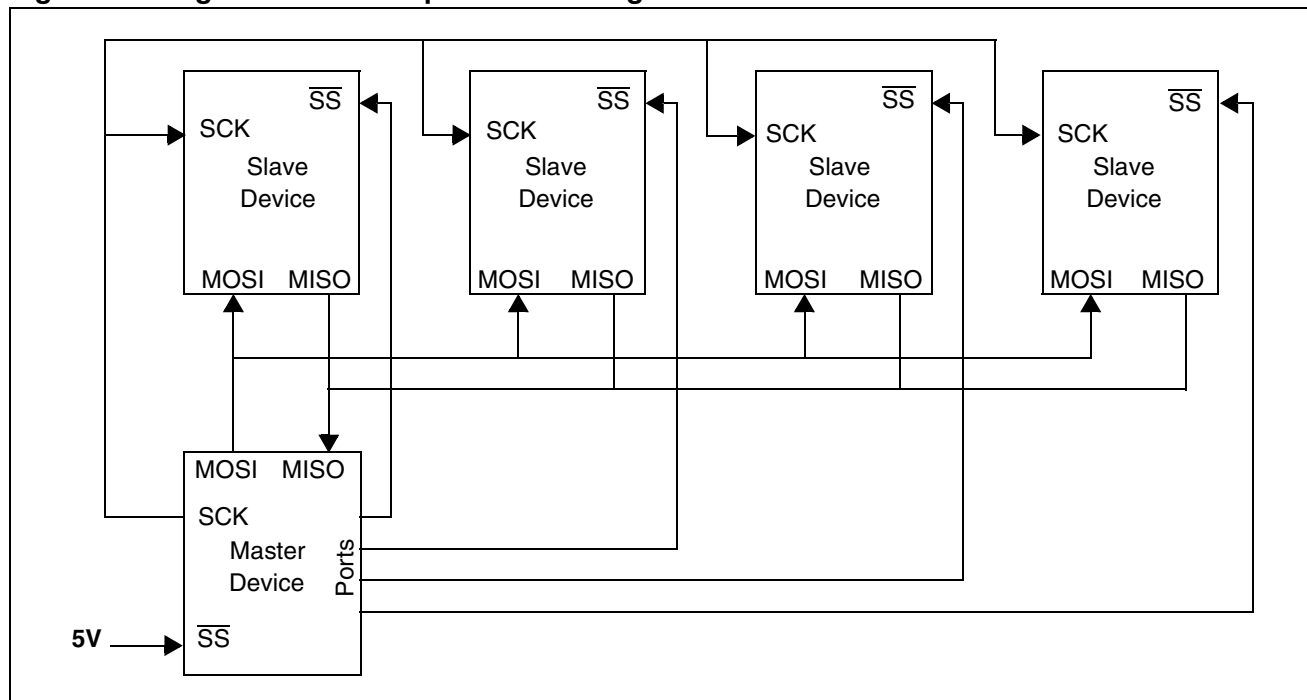
Other transmission security methods can use ports for handshake lines or data bytes with command fields.

#### Multimaster System

A multimaster system may also be configured by the user. Transfer of master control could be implemented using a handshake method through the I/O ports or by an exchange of code messages through the serial peripheral interface system.

The multimaster system is principally handled by the MSTR bit in the SPICR register and the MODF bit in the SPICSR register.

**Figure 59. Single Master / Multiple Slave Configuration**



## SERIAL PERIPHERAL INTERFACE (cont'd)

## 11.4.6 Low Power Modes

| Mode | Description   |
|------|---|
| WAIT | No effect on SPI.<br>SPI interrupt events cause the device to exit from WAIT mode.  |
| HALT | SPI registers are frozen.<br>In HALT mode, the SPI is inactive. SPI operation resumes when the device is woken up by an interrupt with "exit from HALT mode" capability. The data received is subsequently read from the SPIDR register when the software is running (interrupt vector fetching). If several data are received before the wake-up event, then an overrun error is generated. This error can be detected after the fetch of the interrupt routine that woke up the Device. |

## 11.4.6.1 Using the SPI to wake up the device from Halt mode

In slave configuration, the SPI is able to wake up the device from HALT mode through a SPIF interrupt. The data received is subsequently read from the SPIDR register when the software is running (interrupt vector fetch). If multiple data transfers have been performed before software clears the SPIF bit, then the OVR bit is set by hardware.

**Note:** When waking up from HALT mode, if the SPI remains in Slave mode, it is recommended to perform an extra communications cycle to bring

the SPI from HALT mode state to normal state. If the SPI exits from Slave mode, it returns to normal state immediately.

**Caution:** The SPI can wake up the device from HALT mode only if the Slave Select signal (external  $\overline{SS}$  pin or the SSI bit in the SPICSR register) is low when the device enters HALT mode. So, if Slave selection is configured as external (see [Section 0.1.3.2](#)), make sure the master drives a low level on the  $\overline{SS}$  pin when the slave enters HALT mode.

## 11.4.7 Interrupts

| Interrupt Event           | Event Flag | Enable Control Bit | Exit from Wait | Exit from Halt |
|---------------------------|------------|--------------------|----------------|----------------|
| SPI End of Transfer Event | SPIF       | SPIE               | Yes            | Yes            |
| Master Mode Fault Event   | MODF       |                    |                | No             |
| Overrun Error             | OVR        |                    |                |                |

**Note:** The SPI interrupt events are connected to the same interrupt vector (see Interrupts chapter). They generate an interrupt if the corresponding Enable Control Bit is set and the interrupt mask in the CC register is reset (RIM instruction).

### 11.4.8 Register Description

#### SPI CONTROL REGISTER (SPICR)

Read/Write

Reset Value: 0000 xxxx (0xh)

|      |     |      |      |      |      |      |      |
|------|-----|------|------|------|------|------|------|
| 7    |     |      |      |      |      |      | 0    |
| SPIE | SPE | SPR2 | MSTR | CPOL | CPHA | SPR1 | SPR0 |

#### Bit 7 = **SPIE** *Serial Peripheral Interrupt Enable*

This bit is set and cleared by software.

0: Interrupt is inhibited

1: An SPI interrupt is generated whenever an End of Transfer event, Master Mode Fault or Over-run error occurs (SPIF = 1, MODF = 1 or OVR = 1 in the SPICSR register)

#### Bit 6 = **SPE** *Serial Peripheral Output Enable*

This bit is set and cleared by software. It is also cleared by hardware when, in master mode, SS = 0 (see [Section 0.1.5.1 Master Mode Fault \(MODF\)](#)). The SPE bit is cleared by reset, so the SPI peripheral is not initially connected to the external pins.

0: I/O pins free for general purpose I/O

1: SPI I/O pin alternate functions enabled

#### Bit 5 = **SPR2** *Divider Enable*

This bit is set and cleared by software and is cleared by reset. It is used with the SPR[1:0] bits to set the baud rate. Refer to [Table 1 SPI Master Mode SCK Frequency](#).

0: Divider by 2 enabled

1: Divider by 2 disabled

**Note:** This bit has no effect in slave mode.

#### Bit 4 = **MSTR** *Master Mode*

This bit is set and cleared by software. It is also cleared by hardware when, in master mode, SS = 0 (see [Section 0.1.5.1 Master Mode Fault \(MODF\)](#)).

0: Slave mode

1: Master mode. The function of the SCK pin changes from an input to an output and the functions of the MISO and MOSI pins are reversed.

#### Bit 3 = **CPOL** *Clock Polarity*

This bit is set and cleared by software. This bit determines the idle state of the serial Clock. The CPOL bit affects both the master and slave modes.

0: SCK pin has a low level idle state

1: SCK pin has a high level idle state

**Note:** If CPOL is changed at the communication byte boundaries, the SPI must be disabled by resetting the SPE bit.

#### Bit 2 = **CPHA** *Clock Phase*

This bit is set and cleared by software.

0: The first clock transition is the first data capture edge.

1: The second clock transition is the first capture edge.

**Note:** The slave must have the same CPOL and CPHA settings as the master.

#### Bits 1:0 = **SPR[1:0]** *Serial Clock Frequency*

These bits are set and cleared by software. Used with the SPR2 bit, they select the baud rate of the SPI serial clock SCK output by the SPI in master mode.

**Note:** These 2 bits have no effect in slave mode.

**Table 16. SPI Master Mode SCK Frequency**

| Serial Clock  | SPR2 | SPR1 | SPR0 |
|---------------|------|------|------|
| $f_{CPU}/4$   | 1    | 0    | 0    |
| $f_{CPU}/8$   | 0    |      | 1    |
| $f_{CPU}/16$  | 1    | 1    | 0    |
| $f_{CPU}/32$  | 0    |      | 1    |
| $f_{CPU}/128$ |      |      |      |

**SERIAL PERIPHERAL INTERFACE (cont'd)**

**SPI CONTROL/STATUS REGISTER (SPICSR)**

Read/Write (some bits Read Only)

Reset Value: 0000 0000 (00h)

|      |      |     |      |   |     |     |     |
|------|------|-----|------|---|-----|-----|-----|
| 7    |      |     |      |   |     |     | 0   |
| SPIF | WCOL | OVR | MODF | - | SOD | SSM | SSI |

**Bit 7 = SPIF Serial Peripheral Data Transfer Flag (Read only)**

This bit is set by hardware when a transfer has been completed. An interrupt is generated if SPIE = 1 in the SPICR register. It is cleared by a software sequence (an access to the SPICSR register followed by a write or a read to the SPIDR register).

- 0: Data transfer is in progress or the flag has been cleared.
- 1: Data transfer between the device and an external device has been completed.

**Note:** While the SPIF bit is set, all writes to the SPIDR register are inhibited until the SPICSR register is read.

**Bit 6 = WCOL Write Collision status (Read only)**

This bit is set by hardware when a write to the SPIDR register is done during a transmit sequence. It is cleared by a software sequence (see [Figure 6](#)).

- 0: No write collision occurred
- 1: A write collision has been detected

**Bit 5 = OVR SPI Overrun error (Read only)**

This bit is set by hardware when the byte currently being received in the shift register is ready to be transferred into the SPIDR register while SPIF = 1 (See [Section 0.1.5.2](#)). An interrupt is generated if SPIE = 1 in the SPICR register. The OVR bit is cleared by software reading the SPICSR register.

- 0: No overrun error
- 1: Overrun error detected

**Bit 4 = MODF Mode Fault flag (Read only)**

This bit is set by hardware when the  $\overline{SS}$  pin is pulled low in master mode (see [Section 0.1.5.1 Master Mode Fault \(MODF\)](#)). An SPI interrupt can be generated if SPIE = 1 in the SPICR register. This bit is cleared by a software sequence (An access to the SPICSR register while MODF = 1 followed by a write to the SPICR register).

- 0: No master mode fault detected
- 1: A fault in master mode has been detected

Bit 3 = Reserved, must be kept cleared.

**Bit 2 = SOD SPI Output Disable**

This bit is set and cleared by software. When set, it disables the alternate function of the SPI output (MOSI in master mode / MISO in slave mode)

- 0: SPI output enabled (if SPE = 1)
- 1: SPI output disabled

**Bit 1 = SSM  $\overline{SS}$  Management**

This bit is set and cleared by software. When set, it disables the alternate function of the SPI  $\overline{SS}$  pin and uses the SSI bit value instead. See [Section 0.1.3.2 Slave Select Management](#).

- 0: Hardware management ( $\overline{SS}$  managed by external pin)
- 1: Software management (internal  $\overline{SS}$  signal controlled by SSI bit. External  $\overline{SS}$  pin free for general-purpose I/O)

**Bit 0 = SSI  $\overline{SS}$  Internal Mode**

This bit is set and cleared by software. It acts as a 'chip select' by controlling the level of the  $\overline{SS}$  slave select signal when the SSM bit is set.

- 0: Slave selected
- 1: Slave deselected

**SPI DATA I/O REGISTER (SPIDR)**

Read/Write

Reset Value: Undefined

|    |    |    |    |    |    |    |    |
|----|----|----|----|----|----|----|----|
| 7  |    |    |    |    |    |    | 0  |
| D7 | D6 | D5 | D4 | D3 | D2 | D1 | D0 |

The SPIDR register is used to transmit and receive data on the serial bus. In a master device, a write to this register will initiate transmission/reception of another byte.

**Notes:** During the last clock cycle the SPIF bit is set, a copy of the received data byte in the shift register is moved to a buffer. When the user reads the serial peripheral data I/O register, the buffer is actually being read.

While the SPIF bit is set, all writes to the SPIDR register are inhibited until the SPICSR register is read.

**Warning:** A write to the SPIDR register places data directly into the shift register for transmission.

A read to the SPIDR register returns the value located in the buffer and not the content of the shift register (see [Figure 1](#)).

## SERIAL PERIPHERAL INTERFACE (Cont'd)

Table 17. SPI Register Map and Reset Values

| Address (Hex.) | Register Label               | 7         | 6         | 5         | 4         | 3         | 2         | 1         | 0         |
|----------------|------------------------------|-----------|-----------|-----------|-----------|-----------|-----------|-----------|-----------|
| 0031h          | <b>SPIDR</b><br>Reset Value  | MSB<br>x  | x         | x         | x         | x         | x         | x         | LSB<br>x  |
| 0032h          | <b>SPICR</b><br>Reset Value  | SPIE<br>0 | SPE<br>0  | SPR2<br>0 | MSTR<br>0 | CPOL<br>x | CPHA<br>x | SPR1<br>x | SPR0<br>x |
| 0033h          | <b>SPICSR</b><br>Reset Value | SPIF<br>0 | WCOL<br>0 | OVR<br>0  | MODF<br>0 | 0         | SOD<br>0  | SSM<br>0  | SSI<br>0  |

### 11.5 10-BIT A/D CONVERTER (ADC)

#### 11.5.1 Introduction

The on-chip Analog to Digital Converter (ADC) peripheral is a 10-bit, successive approximation converter with internal sample and hold circuitry. This peripheral has up to 7 multiplexed analog input channels (refer to device pin out description) that allow the peripheral to convert the analog voltage levels from up to 7 different sources.

The result of the conversion is stored in a 10-bit Data Register. The A/D converter is controlled through a Control/Status Register.

#### 11.5.2 Main Features

- 10-bit conversion
- Up to 7 channels with multiplexed input
- Linear successive approximation

- Data register (DR) which contains the results
- Conversion complete status flag
- On/off bit (to reduce consumption)

The block diagram is shown in [Figure 60](#).

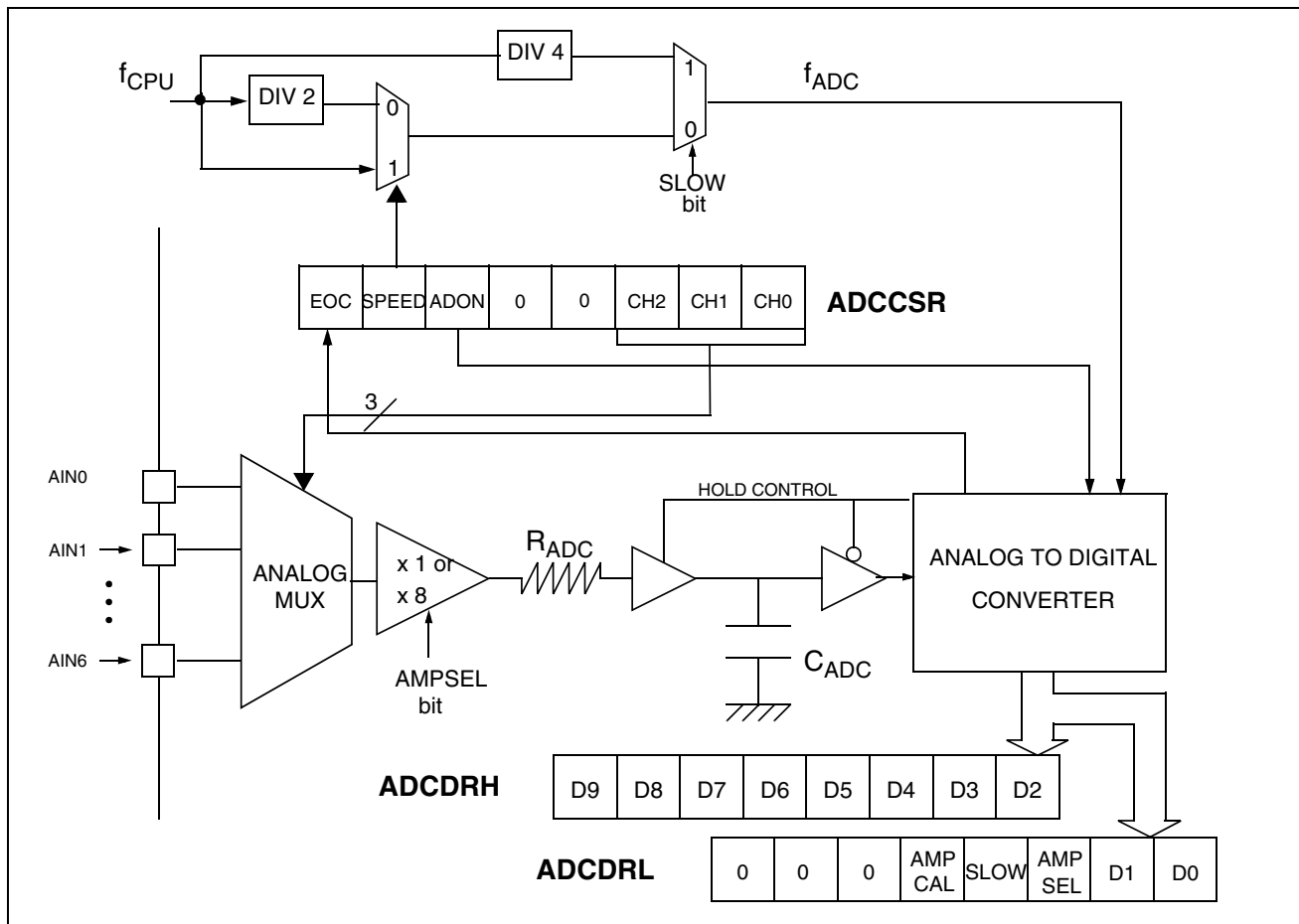
#### 11.5.3 Functional Description

##### 11.5.3.1 Analog Power Supply

$V_{DDA}$  and  $V_{SSA}$  are the high and low level reference voltage pins. In some devices (refer to device pin out description) they are internally connected to the  $V_{DD}$  and  $V_{SS}$  pins.

Conversion accuracy may therefore be impacted by voltage drops and noise in the event of heavily loaded or badly decoupled power supply lines.

Figure 60. ADC Block Diagram





## 10-BIT A/D CONVERTER (ADC) (Cont'd)

### 11.5.3.2 Input Voltage Amplifier

The input voltage can be amplified by a factor of 8 by enabling the AMPSEL bit in the ADCDRL register.

When the amplifier is enabled, the input range is 0V to  $V_{DD}/8$ .

For example, if  $V_{DD} = 5V$ , then the ADC can convert voltages in the range 0V to 430mV with an ideal resolution of 0.6mV (equivalent to 13-bit resolution with reference to a  $V_{SS}$  to  $V_{DD}$  range).

For more details, refer to the Electrical characteristics section.

**Note:** The amplifier is switched on by the ADON bit in the ADCCSR register, so no additional start-up time is required when the amplifier is selected by the AMPSEL bit.

### 11.5.3.3 Digital A/D Conversion Result

The conversion is monotonic, meaning that the result never decreases if the analog input does not and never increases if the analog input does not.

If the input voltage ( $V_{AIN}$ ) is greater than  $V_{DDA}$  (high-level voltage reference) then the conversion result is FFh in the ADCDRH register and 03h in the ADCDRL register (without overflow indication).

If the input voltage ( $V_{AIN}$ ) is lower than  $V_{SSA}$  (low-level voltage reference) then the conversion result in the ADCDRH and ADCDRL registers is 00 00h.

The A/D converter is linear and the digital result of the conversion is stored in the ADCDRH and ADCDRL registers. The accuracy of the conversion is described in the Electrical Characteristics Section.

$R_{AIN}$  is the maximum recommended impedance for an analog input signal. If the impedance is too high, this will result in a loss of accuracy due to leakage and sampling not being completed in the allotted time.

### 11.5.3.4 A/D Conversion

The analog input ports must be configured as input, no pull-up, no interrupt. Refer to the «I/O ports» chapter. Using these pins as analog inputs does not affect the ability of the port to be read as a logic input.

In the ADCCSR register:

- Select the CH[2:0] bits to assign the analog channel to convert.

### ADC Conversion mode

In the ADCCSR register:

Set the ADON bit to enable the A/D converter and to start the conversion. From this time on, the ADC performs a continuous conversion of the selected channel.

When a conversion is complete:

- The EOC bit is set by hardware.
- The result is in the ADCDR registers.

A read to the ADCDRH or a write to any bit of the ADCCSR register resets the EOC bit.

To read the 10 bits, perform the following steps:

1. Poll the EOC bit
2. Read ADCDRL
3. Read ADCDRH. This clears EOC automatically.

To read only 8 bits, perform the following steps:

1. Poll EOC bit
2. Read ADCDRH. This clears EOC automatically.

### 11.5.3.5 Changing the conversion channel

The application can change channels during conversion.

When software modifies the CH[2:0] bits in the ADCCSR register, the current conversion is stopped, the EOC bit is cleared, and the A/D converter starts converting the newly selected channel.

### 11.5.4 Low Power Modes

**Note:** The A/D converter may be disabled by resetting the ADON bit. This feature allows reduced power consumption when no conversion is needed and between single shot conversions.

| Mode | Description   |
|------|---|
| WAIT | No effect on A/D Converter  |
| HALT | A/D Converter disabled.<br>After wakeup from Halt mode, the A/D Converter requires a stabilization time $t_{STAB}$ (see Electrical Characteristics) before accurate conversions can be performed. |

### 11.5.5 Interrupts

None.

10-BIT A/D CONVERTER (ADC) (Cont'd)

11.5.6 Register Description

**CONTROL/STATUS REGISTER (ADCCSR)**

Read/Write (Except bit 7 read only)

Reset Value: 0000 0000 (00h)

|     |       |      |   |   |     |     |     |
|-----|-------|------|---|---|-----|-----|-----|
| 7   |       |      |   |   |     |     | 0   |
| EOC | SPEED | ADON | 0 | 0 | CH2 | CH1 | CH0 |

Bit 7 = **EOC** *End of Conversion*

This bit is set by hardware. It is cleared by hardware when software reads the ADCDRH register or writes to any bit of the ADCCSR register.

- 0: Conversion is not complete
- 1: Conversion complete

Bit 6 = **SPEED** *ADC clock selection*

This bit is set and cleared by software. It is used together with the SLOW bit to configure the ADC clock speed. Refer to the table in the SLOW bit description (ADC DRL register).

Bit 5 = **ADON** *A/D Converter on*

- This bit is set and cleared by software.
- 0: A/D converter and amplifier are switched off
- 1: A/D converter and amplifier are switched on

Bits 4:3 = **Reserved**. Must be kept cleared.

Bits 2:0 = **CH[2:0]** *Channel Selection*

These bits are set and cleared by software. They select the analog input to convert.

| Channel Pin* | CH2 | CH1 | CH0 |
|--------------|-----|-----|-----|
| AIN0         | 0   | 0   | 0   |
| AIN1         | 0   | 0   | 1   |
| AIN2         | 0   | 1   | 0   |
| AIN3         | 0   | 1   | 1   |
| AIN4         | 1   | 0   | 0   |
| AIN5         | 1   | 0   | 1   |
| AIN6         | 1   | 1   | 0   |

\*The number of channels is device dependent. Refer to the device pinout description.

**DATA REGISTER HIGH (ADCDRH)**

Read Only

Reset Value: xxxx xxxx (xxh)

|    |    |    |    |    |    |    |    |
|----|----|----|----|----|----|----|----|
| 7  |    |    |    |    |    |    | 0  |
| D9 | D8 | D7 | D6 | D5 | D4 | D3 | D2 |

Bits 7:0 = **D[9:2]** *MSB of Analog Converted Value*

**AMP CONTROL/DATA REGISTER LOW (ADC DRL)**

Read/Write

Reset Value: 0000 00xx (0xh)

|   |   |   |         |      |         |    |    |
|---|---|---|---------|------|---------|----|----|
| 7 |   |   |         |      |         |    | 0  |
| 0 | 0 | 0 | AMP CAL | SLOW | AMP-SEL | D1 | D0 |

Bits 7:5 = **Reserved**. Forced by hardware to 0.

Bit 4 = **AMPCAL** *Amplifier Calibration Bit*

This bit is set and cleared by software. It is advised to use this bit to calibrate the ADC when amplifier is ON. Setting this bit internally connects amplifier input to 0V. Hence, corresponding ADC output can be used in software to eliminate amplifier-offset error.

- 0: Calibration off
- 1: Calibration on. (The input voltage of the amplifier is set to 0V)

Bit 3 = **SLOW** *Slow mode*

This bit is set and cleared by software. It is used together with the SPEED bit in the ADCCSR register to configure the ADC clock speed as shown on the table below.

| $f_{ADC}$   | SLOW | SPEED |
|-------------|------|-------|
| $f_{CPU}/2$ | 0    | 0     |
| $f_{CPU}$   | 0    | 1     |
| $f_{CPU}/4$ | 1    | x     |

**Note:** max  $f_{ADC}$  allowed = 4MHz (see [section 13.11 on page 139](#))

**10-BIT A/D CONVERTER (ADC) (Cont'd)**

Bit 2 = **AMPSEL** *Amplifier Selection Bit*

This bit is set and cleared by software.

0: Amplifier is not selected

1: Amplifier is selected

**Note:** When AMPSEL=1 it is mandatory that  $f_{ADC}$  be less than or equal to 2 MHz.

Bits 1:0 = **D[1:0]** *LSB of Analog Converted Value*

**Table 18. ADC Register Map and Reset Values**

| Address (Hex.) | Register Label               | 7        | 6          | 5         | 4           | 3         | 2           | 1        | 0        |
|----------------|------------------------------|----------|------------|-----------|-------------|-----------|-------------|----------|----------|
| 0034h          | <b>ADCCSR</b><br>Reset Value | EOC<br>0 | SPEED<br>0 | ADON<br>0 | 0<br>0      | 0<br>0    | CH2<br>0    | CH1<br>0 | CH0<br>0 |
| 0035h          | <b>ADCDRH</b><br>Reset Value | D9<br>x  | D8<br>x    | D7<br>x   | D6<br>x     | D5<br>x   | D4<br>x     | D3<br>x  | D2<br>x  |
| 0036h          | <b>ADCDRL</b><br>Reset Value | 0<br>0   | 0<br>0     | 0<br>0    | AMPCAL<br>0 | SLOW<br>0 | AMPSEL<br>0 | D1<br>x  | D0<br>x  |

## 11.6 ANALOG COMPARATOR (CMP)

### 11.6.1 Introduction

The CMP block consists of an analog comparator and an internal voltage reference. The voltage reference can be external or internal, selectable under program control. The comparator input pins COMPIN+ and COMPIN- are also connected to the A/D converter (ADC).

### 11.6.2 Main Features

#### 11.6.2.1 On-chip Analog Comparator

The analog comparator compares the voltage at two input pins COMPIN+ and COMPIN- which are connected to VP and VN at the comparator input. When the analog input at COMPIN+ is less than the analog input at COMPIN-, the output of the comparator is 0. When the analog input at COMPIN+ is greater than the analog input at COMPIN-, the output of the comparator is 1.

The result of the comparison as 0 or 1 at COMPOUT is shown in [Figure 62 on page 101](#).

#### Note:

To obtain a stable result, the comparator requires a stabilization time of 500ns. Please refer to [section 13.12 on page 143](#).

**Table 19. Comparison Result**

| CINV | Input Conditions | COMPOUT |
|------|------------------|---------|
| 0    | VP > VN          | 1       |
|      | VN > VP          | 0       |
| 1    | VP > VN          | 0       |
|      | VN > VP          | 1       |

#### 11.6.2.2 Programmable External/Internal Voltage Reference

The voltage reference module can be configured to connect the comparator pin COMPIN- to one of the following:

- Fixed internal voltage bandgap
- Programmable internal reference voltage
- External voltage reference

##### 1) Fixed Internal Voltage Bandgap

The voltage reference module can generate a fixed voltage reference of 1.2V on the VN input. This is done by setting the VCBGR bit in the VREFCR register.

##### 2) Programmable Internal Voltage Reference

The internal voltage reference module can provide 16 distinct internally generated voltage levels from 3.2V to 0.2V each at a step of 0.2V on comparator pin VN. The voltage is selected through the VR[3:0] bits in the VREFCR register.

##### 3) External Reference Voltage

If a reference voltage other than that generated by the internal voltage reference module is required, COMPIN- can be connected to an external voltage source. This configuration can be selected by setting the VCEXT bit in the VREFCR register.

### 11.6.3 Functional Description

To make an analog comparison, the CMPON bit in the CMPCR register must be set to power-on the comparator and internal voltage reference module.

The VP comparator input is mapped on PB0 and is also connected to ADC channel 0.

The VN comparator input is mapped on PB4 for external voltage input, and is also connected to ADC channel 4.

The internal voltage reference can provide a range of different voltages to the comparator VN input, selected by several bits in the VREFCR register, as described in [Table 20](#).

To select pins PB0 and PB4 for A/D conversion, (default reset state), channel 0 or 4 must be selected through the channel selection bits in the ADCCSR register (refer to [Section 11.5.6](#))

The comparator output is connected to pin PA7 when the COUT bit in the CMPCR register is set.

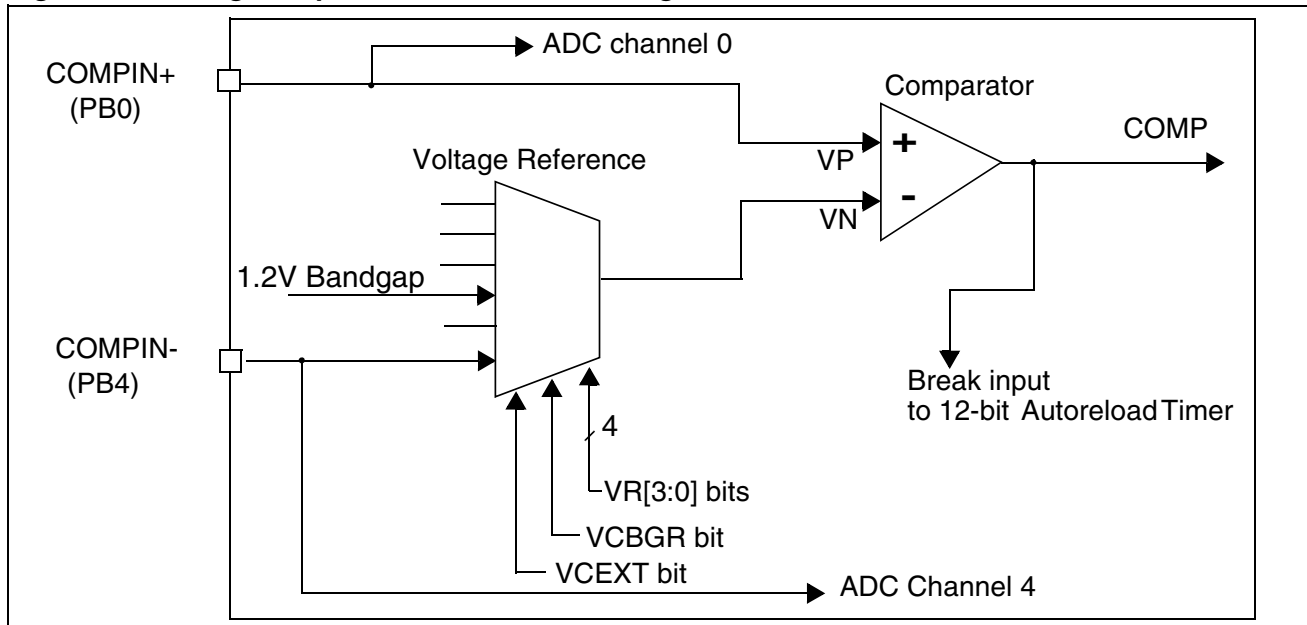
The comparator output is also connected internally to the break function of the 12-bit Autoreload Timer (refer to [Section 11.2](#))

When the Comparator is OFF, the output value of comparator is '1'.

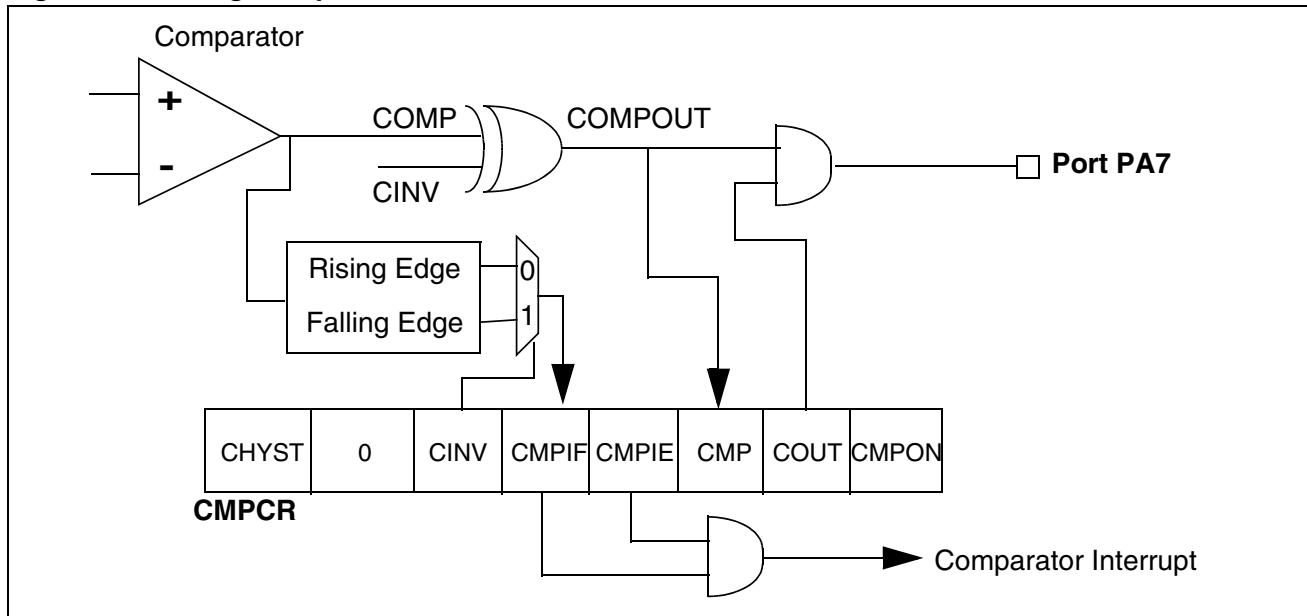
**Important note:** To avoid spurious toggling of the output of the comparator due to noise on the voltage reference, it is recommended to enable the hysteresis through the CHYST bit in the CMPCR register.

**ANALOG COMPARATOR (Cont'd)**

**Figure 61. Analog Comparator and Internal Voltage Reference**



**Figure 62. Analog Comparator**



**ANALOG COMPARATOR (Cont'd)**

**11.6.4 Register Description**

**Internal Voltage Reference Register (VREFCR)**

Read/Write

Reset Value : 0000 0000 (00h)

|       |       |     |     |     |     |   |   |
|-------|-------|-----|-----|-----|-----|---|---|
| 7     |       |     |     |     |     |   | 0 |
| VCEXT | VCBGR | VR3 | VR2 | VR1 | VR0 | 0 | 0 |

Bit 7 = **VCEXT** *External Voltage Reference for Comparator*

This bit is set or cleared by software. It is used to connect the external reference voltage to the VN comparator input.

- 0: External reference voltage not connected to VN
- 1: External reference voltage connected to VN

Bit 6 = **VCBGR** *Bandgap Voltage for Comparator*

This bit is set or cleared by software. It is used to connect the bandgap voltage of 1.2V to the VN comparator input.

- 0: Bandgap voltage not connected to VN
- 1: Bandgap voltage connected to VN

Bits 5:2 = **VR[3:0]** *Programmable Internal Voltage Reference Range Selection*

These bits are set or cleared by software. They are used to select one of 16 different voltages available from the internal voltage reference module and connect it to comparator input VN.

Refer to [Table 20](#).

**Table 20. Voltage Reference Programming**

| VCEXT bit | VCBGR bit | VR3 bit | VR2 bit | VR1 bit | VR0 bit | VN Voltage  |
|-----------|-----------|---------|---------|---------|---------|-------------|
| 1         | x         | x       | x       | x       | x       | VEXT        |
| 0         | 1         | x       | x       | x       | x       | 1.2 bandgap |
| 0         | 0         | 1       | 1       | 1       | 1       | 3.2V        |
| 0         | 0         | 1       | 1       | 1       | 0       | 3V          |
| 0         | 0         | 1       | 1       | 0       | 1       | 2.8V        |
| 0         | 0         | 1       | 1       | 0       | 0       | 2.6V        |
| 0         | 0         | 1       | 0       | 1       | 1       | 2.4V        |
| 0         | 0         | 1       | 0       | 1       | 0       | 2.2V        |
| 0         | 0         | 1       | 0       | 0       | 1       | 2V          |
| 0         | 0         | 1       | 0       | 0       | 0       | 1.8V        |
| 0         | 0         | 0       | 1       | 1       | 1       | 1.6V        |
| 0         | 0         | 0       | 1       | 1       | 0       | 1.4V        |

| VCEXT bit | VCBGR bit | VR3 bit | VR2 bit | VR1 bit | VR0 bit | VN Voltage |
|-----------|-----------|---------|---------|---------|---------|------------|
| 0         | 0         | 0       | 1       | 0       | 1       | 1.2V       |
| 0         | 0         | 0       | 1       | 0       | 0       | 1V         |
| 0         | 0         | 0       | 0       | 1       | 1       | 0.8V       |
| 0         | 0         | 0       | 0       | 1       | 0       | 0.6V       |
| 0         | 0         | 0       | 0       | 0       | 1       | 0.4V       |
| 0         | 0         | 0       | 0       | 0       | 0       | 0.2V       |

Bits 1:0 = Reserved, Must be kept cleared.

**Comparator Control Register (CMPCR)**

Read/Write

Reset Value : 1000 0000 (80h)

|       |   |      |       |       |      |     |        |
|-------|---|------|-------|-------|------|-----|--------|
| 7     |   |      |       |       |      |     | 0      |
| CHYST | 0 | CINV | CMPIF | CMPIE | COMP | COU | COMPON |

Bit 7= **CHYST** *Comparator Hysteresis Enable*

This bit is set or cleared by software and set by hardware reset. When this bit is set, the comparator hysteresis is enabled.

- 0: Hysteresis disabled
- 1: Hysteresis enabled

**Note:** To avoid spurious toggling of the output of the comparator due to noise on the voltage reference, it is recommended to enable the hysteresis.

Bit 6 = Reserved, Must be kept cleared

Bit 5 = **CINV** *Comparator Output Inversion Select*

This bit is set or cleared by software and cleared by hardware reset. When this bit is set, the comparator output is inverted.

If interrupt enable bit CMPIE is set in the CMPCR register, the CINV bit is also used to select which type of level transition on the comparator output will generate the interrupt. When this bit is reset, interrupt will be generated at the rising edge of the comparator output change (COMP signal, refer to [Figure 62 on page 101](#)). When this bit is set, interrupt will be generated at the falling edge of comparator output change (COMP signal, refer to [Figure 62 on page 101](#)).

- 0: Comparator output not inverted and interrupt generated at the rising edge of COMP
- 1: Comparator output inverted and interrupt generated at the falling edge of COMP

**ANALOG COMPARATOR (Cont'd)****Bit 4 = CMPIF** *Comparator Interrupt Flag*

This bit is set by hardware when interrupt is generated at the rising edge (CINV = 0) or falling edge (CINV = 1) of comparator output. This bit is cleared by reading the CMPCR register. Writing to this bit does not change the value.

0 : Comparator interrupt flag cleared  
1 : Comparator interrupt flag set and can generate interrupt if CMPIE is set.

**Bit 3 : CMPIE** *Comparator Interrupt Enable*

This bit is set or reset by software and cleared by hardware reset. This bit enables or disables the interrupt generation depending on interrupt flag

0: Interrupt not generated  
1: Interrupt generated if interrupt flag is set

**Note:**

This bit should be set to enable interrupt only after the comparator has been switched ON, i.e. when CMPON is set.

Once CMPON bit is set, it is recommended to wait the specified stabilization time before setting CMPIE bit in order to avoid a spurious interrupt (see [section 13.12 on page 143](#)).

**Bit 2 : CMP** *Comparator Output*

This bit is set or reset by software and cleared by hardware reset. It stores the value of comparator output.

**Bit 1 = COUT** *Comparator Output Enable on Port*  
This bit is set or cleared by software. When this bit is set, the comparator output is available on PA7 port.

0 : Comparator output not connected to PA7  
1 : Comparator output connected to PA7

**Bit 0 : CMPON** *Comparator ON/OFF*

This bit is set or cleared by software and reset by hardware reset. This bit is used to switch ON/OFF the comparator, internal voltage reference and current bias which provides 4µA current to both.

0: Comparator, Internal Voltage Reference, Bias OFF (in power-down state).

1: Comparator, Internal Voltage Reference, Bias ON

**Note:** For the comparator interrupt generation, it takes 250ns delay from comparator output change to rising or falling edge of interrupt generated.

**Table 21. Analog Comparator Register Map and Reset Values**

| Address (Hex.) | Register Label               | 7          | 6          | 5         | 4          | 3          | 2        | 1         | 0          |
|----------------|------------------------------|------------|------------|-----------|------------|------------|----------|-----------|------------|
| 002Ch          | <b>VREFCR</b><br>Reset Value | VCEXT<br>0 | VCBGR<br>0 | VR3<br>0  | VR2<br>0   | VR1<br>0   | VR0<br>0 | -<br>0    | -<br>0     |
| 002Dh          | <b>CMPCR</b><br>Reset value  | CHYST<br>1 | -<br>0     | CINV<br>0 | CMPIF<br>0 | CMPIE<br>0 | CMP<br>0 | COUT<br>0 | CMPON<br>0 |

## 12 INSTRUCTION SET

### 12.1 ST7 ADDRESSING MODES

The ST7 Core features 17 different addressing modes which can be classified in seven main groups:

| Addressing Mode | Example         |
|-----------------|-----------------|
| Inherent        | nop             |
| Immediate       | ld A,#\$55      |
| Direct          | ld A,\$55       |
| Indexed         | ld A,(\$55,X)   |
| Indirect        | ld A,([\$55],X) |
| Relative        | jrne loop       |
| Bit operation   | bset byte,#5    |

The ST7 Instruction set is designed to minimize the number of bytes required per instruction: To do so, most of the addressing modes may be subdivided in two submodes called long and short:

- Long addressing mode is more powerful because it can use the full 64 Kbyte address space, however it uses more bytes and more CPU cycles.
- Short addressing mode is less powerful because it can generally only access page zero (0000h - 00FFh range), but the instruction size is more compact, and faster. All memory to memory instructions use short addressing modes only (CLR, CPL, NEG, BSET, BRES, BTJT, BTJF, INC, DEC, RLC, RRC, SLL, SRL, SRA, SWAP)

The ST7 Assembler optimizes the use of long and short addressing modes.

**Table 22. ST7 Addressing Mode Overview**

| Mode      |          |          | Syntax              | Destination/<br>Source      | Pointer<br>Address<br>(Hex.) | Pointer<br>Size<br>(Hex.) | Length<br>(Bytes)                              |
|-----------|----------|----------|---------------------|-----------------------------|------------------------------|---------------------------|--|
| Inherent  |          |          | nop                 |                             |                              |                           | + 0  |
| Immediate |          |          | ld A,#\$55          |                             |                              |                           | + 1  |
| Short     | Direct   |          | ld A,\$10           | 00..FF                      |                              |                           | + 1  |
| Long      | Direct   |          | ld A,\$1000         | 0000..FFFF                  |                              |                           | + 2  |
| No Offset | Direct   | Indexed  | ld A,(X)            | 00..FF                      |                              |                           | + 0 (with X register)<br>+ 1 (with Y register) |
| Short     | Direct   | Indexed  | ld A,(\$10,X)       | 00..1FE                     |                              |                           | + 1  |
| Long      | Direct   | Indexed  | ld A,(\$1000,X)     | 0000..FFFF                  |                              |                           | + 2  |
| Short     | Indirect |          | ld A,[\$10]         | 00..FF                      | 00..FF                       | byte                      | + 2  |
| Long      | Indirect |          | ld A,[\$10.w]       | 0000..FFFF                  | 00..FF                       | word                      | + 2  |
| Short     | Indirect | Indexed  | ld A,([\$10],X)     | 00..1FE                     | 00..FF                       | byte                      | + 2  |
| Long      | Indirect | Indexed  | ld A,([\$10.w],X)   | 0000..FFFF                  | 00..FF                       | word                      | + 2  |
| Relative  | Direct   |          | jrne loop           | PC-128/PC+127 <sup>1)</sup> |                              |                           | + 1  |
| Relative  | Indirect |          | jrne [\$10]         | PC-128/PC+127 <sup>1)</sup> | 00..FF                       | byte                      | + 2  |
| Bit       | Direct   |          | bset \$10,#7        | 00..FF                      |                              |                           | + 1  |
| Bit       | Indirect |          | bset [\$10],#7      | 00..FF                      | 00..FF                       | byte                      | + 2  |
| Bit       | Direct   | Relative | btjt \$10,#7,skip   | 00..FF                      |                              |                           | + 2  |
| Bit       | Indirect | Relative | btjt [\$10],#7,skip | 00..FF                      | 00..FF                       | byte                      | + 3  |

**Note:**

1. At the time the instruction is executed, the Program Counter (PC) points to the instruction following JRxx.



## ST7 ADDRESSING MODES (cont'd)

### 12.1.1 Inherent

All Inherent instructions consist of a single byte. The opcode fully specifies all the required information for the CPU to process the operation.

| Inherent Instruction    | Function                            |
|-------------------------|-------------------------------------|
| NOP                     | No operation                        |
| TRAP                    | S/W Interrupt                       |
| WFI                     | Wait For Interrupt (Low Power Mode) |
| HALT                    | Halt Oscillator (Lowest Power Mode) |
| RET                     | Subroutine Return                   |
| IRET                    | Interrupt Subroutine Return         |
| SIM                     | Set Interrupt Mask                  |
| RIM                     | Reset Interrupt Mask                |
| SCF                     | Set Carry Flag                      |
| RCF                     | Reset Carry Flag                    |
| RSP                     | Reset Stack Pointer                 |
| LD                      | Load                                |
| CLR                     | Clear                               |
| PUSH/POP                | Push/Pop to/from the stack          |
| INC/DEC                 | Increment/Decrement                 |
| TNZ                     | Test Negative or Zero               |
| CPL, NEG                | 1 or 2 Complement                   |
| MUL                     | Byte Multiplication                 |
| SLL, SRL, SRA, RLC, RRC | Shift and Rotate Operations         |
| SWAP                    | Swap Nibbles                        |

### 12.1.2 Immediate

Immediate instructions have 2 bytes, the first byte contains the opcode, the second byte contains the operand value.

| Immediate Instruction | Function              |
|-----------------------|-----------------------|
| LD                    | Load                  |
| CP                    | Compare               |
| BCP                   | Bit Compare           |
| AND, OR, XOR          | Logical Operations    |
| ADC, ADD, SUB, SBC    | Arithmetic Operations |

### 12.1.3 Direct

In Direct instructions, the operands are referenced by their memory address.

The direct addressing mode consists of two sub-modes:

#### Direct (Short)

The address is a byte, thus requires only 1 byte after the opcode, but only allows 00 - FF addressing space.

#### Direct (Long)

The address is a word, thus allowing 64 Kbyte addressing space, but requires 2 bytes after the opcode.

### 12.1.4 Indexed (No Offset, Short, Long)

In this mode, the operand is referenced by its memory address, which is defined by the unsigned addition of an index register (X or Y) with an offset.

The indirect addressing mode consists of three submodes:

#### Indexed (No Offset)

There is no offset (no extra byte after the opcode), and allows 00 - FF addressing space.

#### Indexed (Short)

The offset is a byte, thus requires only 1 byte after the opcode and allows 00 - 1FE addressing space.

#### Indexed (Long)

The offset is a word, thus allowing 64 Kbyte addressing space and requires 2 bytes after the opcode.

### 12.1.5 Indirect (Short, Long)

The required data byte to do the operation is found by its memory address, located in memory (pointer).

The pointer address follows the opcode. The indirect addressing mode consists of two submodes:

#### Indirect (Short)

The pointer address is a byte, the pointer size is a byte, thus allowing 00 - FF addressing space, and requires 1 byte after the opcode.

#### Indirect (Long)

The pointer address is a byte, the pointer size is a word, thus allowing 64 Kbyte addressing space, and requires 1 byte after the opcode.

**ST7 ADDRESSING MODES** (cont'd)**12.1.6 Indirect Indexed (Short, Long)**

This is a combination of indirect and short indexed addressing modes. The operand is referenced by its memory address, which is defined by the unsigned addition of an index register value (X or Y) with a pointer value located in memory. The pointer address follows the opcode.

The indirect indexed addressing mode consists of two submodes:

**Indirect Indexed (Short)**

The pointer address is a byte, the pointer size is a byte, thus allowing 00 - 1FE addressing space, and requires 1 byte after the opcode.

**Indirect Indexed (Long)**

The pointer address is a byte, the pointer size is a word, thus allowing 64 Kbyte addressing space, and requires 1 byte after the opcode.

**Table 23. Instructions Supporting Direct, Indexed, Indirect and Indirect Indexed Addressing Modes**

| Long and Short Instructions | Function                                   |
|-----------------------------|--|
| LD                          | Load                                       |
| CP                          | Compare                                    |
| AND, OR, XOR                | Logical Operations                         |
| ADC, ADD, SUB, SBC          | Arithmetic Addition/subtraction operations |
| BCP                         | Bit Compare                                |

| Short Instructions Only | Function                     |
|-------------------------|------------------------------|
| CLR                     | Clear                        |
| INC, DEC                | Increment/Decrement          |
| TNZ                     | Test Negative or Zero        |
| CPL, NEG                | 1 or 2 Complement            |
| BSET, BRES              | Bit Operations               |
| BTJT, BTJF              | Bit Test and Jump Operations |
| SLL, SRL, SRA, RLC, RRC | Shift and Rotate Operations  |
| SWAP                    | Swap Nibbles                 |
| CALL, JP                | Call or Jump subroutine      |

**12.1.7 Relative Mode (Direct, Indirect)**

This addressing mode is used to modify the PC register value by adding an 8-bit signed offset to it.

| Available Relative Direct/Indirect Instructions | Function         |
|---|------------------|
| JRxx  | Conditional Jump |
| CALLR   | Call Relative    |

The relative addressing mode consists of two submodes:

**Relative (Direct)**

The offset follows the opcode.

**Relative (Indirect)**

The offset is defined in memory, of which the address follows the opcode.

## 12.2 INSTRUCTION GROUPS

The ST7 family devices use an Instruction Set consisting of 63 instructions. The instructions may

be subdivided into 13 main groups as illustrated in the following table:

|                                  |      |      |      |      |      |       |     |     |
|----------------------------------|------|------|------|------|------|-------|-----|-----|
| Load and Transfer                | LD   | CLR  |      |      |      |       |     |     |
| Stack operation                  | PUSH | POP  | RSP  |      |      |       |     |     |
| Increment/Decrement              | INC  | DEC  |      |      |      |       |     |     |
| Compare and Tests                | CP   | TNZ  | BCP  |      |      |       |     |     |
| Logical operations               | AND  | OR   | XOR  | CPL  | NEG  |       |     |     |
| Bit Operation                    | BSET | BRES |      |      |      |       |     |     |
| Conditional Bit Test and Branch  | BTJT | BTJF |      |      |      |       |     |     |
| Arithmetic operations            | ADC  | ADD  | SUB  | SBC  | MUL  |       |     |     |
| Shift and Rotates                | SLL  | SRL  | SRA  | RLC  | RRC  | SWAP  | SLA |     |
| Unconditional Jump or Call       | JRA  | JRT  | JRF  | JP   | CALL | CALLR | NOP | RET |
| Conditional Branch               | JRxx |      |      |      |      |       |     |     |
| Interrupt management             | TRAP | WFI  | HALT | IRET |      |       |     |     |
| Condition Code Flag modification | SIM  | RIM  | SCF  | RCF  |      |       |     |     |

### Using a prebyte

The instructions are described with 1 to 4 bytes.

In order to extend the number of available opcodes for an 8-bit CPU (256 opcodes), three different prebyte opcodes are defined. These prebytes modify the meaning of the instruction they precede.

The whole instruction becomes:

- PC-2 End of previous instruction
- PC-1 Prebyte
- PC Opcode
- PC+1 Additional word (0 to 2) according to the number of bytes required to compute the effective address

These prebytes enable instruction in Y as well as indirect addressing modes to be implemented. They precede the opcode of the instruction in X or the instruction using direct addressing mode. The prebytes are:

PDY 90 Replace an X based instruction using immediate, direct, indexed, or inherent addressing mode by a Y one.

PIX 92 Replace an instruction using direct, direct bit or direct relative addressing mode to an instruction using the corresponding indirect addressing mode. It also changes an instruction using X indexed addressing mode to an instruction using indirect X indexed addressing mode.

PIY 91 Replace an instruction using X indirect indexed addressing mode by a Y one.

### 12.2.1 Illegal Opcode Reset

In order to provide enhanced robustness to the device against unexpected behavior, a system of illegal opcode detection is implemented. If a code to be executed does not correspond to any opcode or prebyte value, a reset is generated. This, combined with the Watchdog, allows the detection and recovery from an unexpected fault or interference.

**Note:** A valid prebyte associated with a valid opcode forming an unauthorized combination does not generate a reset.

## INSTRUCTION GROUPS (cont'd)

| Mnemo | Description                | Function/Example    | Dst    | Src | H | I | N | Z | C |
|-------|----------------------------|---------------------|--------|-----|---|---|---|---|---|
| ADC   | Add with Carry             | $A = A + M + C$     | A      | M   | H |   | N | Z | C |
| ADD   | Addition                   | $A = A + M$         | A      | M   | H |   | N | Z | C |
| AND   | Logical And                | $A = A . M$         | A      | M   |   |   | N | Z |   |
| BCP   | Bit compare A, Memory      | tst (A . M)         | A      | M   |   |   | N | Z |   |
| BRES  | Bit Reset                  | bres Byte, #3       | M      |     |   |   |   |   |   |
| BSET  | Bit Set                    | bset Byte, #3       | M      |     |   |   |   |   |   |
| BTJF  | Jump if bit is false (0)   | btjf Byte, #3, Jmp1 | M      |     |   |   |   |   | C |
| BTJT  | Jump if bit is true (1)    | btjt Byte, #3, Jmp1 | M      |     |   |   |   |   | C |
| CALL  | Call subroutine            |                     |        |     |   |   |   |   |   |
| CALLR | Call subroutine relative   |                     |        |     |   |   |   |   |   |
| CLR   | Clear                      |                     | reg, M |     |   |   | 0 | 1 |   |
| CP    | Arithmetic Compare         | tst(Reg - M)        | reg    | M   |   |   | N | Z | C |
| CPL   | One Complement             | $A = FFH - A$       | reg, M |     |   |   | N | Z | 1 |
| DEC   | Decrement                  | dec Y               | reg, M |     |   |   | N | Z |   |
| HALT  | Halt                       |                     |        |     |   | 0 |   |   |   |
| IRET  | Interrupt routine return   | Pop CC, A, X, PC    |        |     | H | I | N | Z | C |
| INC   | Increment                  | inc X               | reg, M |     |   |   | N | Z |   |
| JP    | Absolute Jump              | jp [TBL.w]          |        |     |   |   |   |   |   |
| JRA   | Jump relative always       |                     |        |     |   |   |   |   |   |
| JRT   | Jump relative              |                     |        |     |   |   |   |   |   |
| JRF   | Never jump                 | jrf *               |        |     |   |   |   |   |   |
| JRIH  | Jump if ext. interrupt = 1 |                     |        |     |   |   |   |   |   |
| JRIL  | Jump if ext. interrupt = 0 |                     |        |     |   |   |   |   |   |
| JRH   | Jump if H = 1              | $H = 1 ?$           |        |     |   |   |   |   |   |
| JRNH  | Jump if H = 0              | $H = 0 ?$           |        |     |   |   |   |   |   |
| JRM   | Jump if I = 1              | $I = 1 ?$           |        |     |   |   |   |   |   |
| JRNM  | Jump if I = 0              | $I = 0 ?$           |        |     |   |   |   |   |   |
| JRMI  | Jump if N = 1 (minus)      | $N = 1 ?$           |        |     |   |   |   |   |   |
| JRPL  | Jump if N = 0 (plus)       | $N = 0 ?$           |        |     |   |   |   |   |   |
| JREQ  | Jump if Z = 1 (equal)      | $Z = 1 ?$           |        |     |   |   |   |   |   |
| JRNE  | Jump if Z = 0 (not equal)  | $Z = 0 ?$           |        |     |   |   |   |   |   |
| JRC   | Jump if C = 1              | $C = 1 ?$           |        |     |   |   |   |   |   |
| JRNC  | Jump if C = 0              | $C = 0 ?$           |        |     |   |   |   |   |   |
| JRULT | Jump if C = 1              | Unsigned <          |        |     |   |   |   |   |   |
| JRUGE | Jump if C = 0              | Jmp if unsigned >=  |        |     |   |   |   |   |   |
| JRUGT | Jump if (C + Z = 0)        | Unsigned >          |        |     |   |   |   |   |   |

## INSTRUCTION GROUPS (cont'd)

| Mnemo | Description            | Function/Example        | Dst       | Src     | H | I | N | Z | C |
|-------|------------------------|-------------------------|-----------|---------|---|---|---|---|---|
| JRULE | Jump if (C + Z = 1)    | Unsigned <=             |           |         |   |   |   |   |   |
| LD    | Load                   | dst <= src              | reg, M    | M, reg  |   |   | N | Z |   |
| MUL   | Multiply               | X,A = X * A             | A, X, Y   | X, Y, A | 0 |   |   |   | 0 |
| NEG   | Negate (2's compl)     | neg \$10                | reg, M    |         |   |   | N | Z | C |
| NOP   | No Operation           |                         |           |         |   |   |   |   |   |
| OR    | OR operation           | A = A + M               | A         | M       |   |   | N | Z |   |
| POP   | Pop from the Stack     | pop reg<br>pop CC       | reg<br>CC | M<br>M  | H | I | N | Z | C |
| PUSH  | Push onto the Stack    | push Y                  | M         | reg, CC |   |   |   |   |   |
| RCF   | Reset carry flag       | C = 0                   |           |         |   |   |   |   | 0 |
| RET   | Subroutine Return      |                         |           |         |   |   |   |   |   |
| RIM   | Enable Interrupts      | I = 0                   |           |         |   | 0 |   |   |   |
| RLC   | Rotate left true C     | C <= Dst <= C           | reg, M    |         |   |   | N | Z | C |
| RRC   | Rotate right true C    | C => Dst => C           | reg, M    |         |   |   | N | Z | C |
| RSP   | Reset Stack Pointer    | S = Max allowed         |           |         |   |   |   |   |   |
| SBC   | Subtract with Carry    | A = A - M - C           | A         | M       |   |   | N | Z | C |
| SCF   | Set carry flag         | C = 1                   |           |         |   |   |   |   | 1 |
| SIM   | Disable Interrupts     | I = 1                   |           |         |   | 1 |   |   |   |
| SLA   | Shift left Arithmetic  | C <= Dst <= 0           | reg, M    |         |   |   | N | Z | C |
| SLL   | Shift left Logic       | C <= Dst <= 0           | reg, M    |         |   |   | N | Z | C |
| SRL   | Shift right Logic      | 0 => Dst => C           | reg, M    |         |   |   | 0 | Z | C |
| SRA   | Shift right Arithmetic | Dst7 => Dst => C        | reg, M    |         |   |   | N | Z | C |
| SUB   | Subtraction            | A = A - M               | A         | M       |   |   | N | Z | C |
| SWAP  | SWAP nibbles           | Dst[7..4] <=> Dst[3..0] | reg, M    |         |   |   | N | Z |   |
| TNZ   | Test for Neg & Zero    | tnz lbl1                |           |         |   |   | N | Z |   |
| TRAP  | S/W trap               | S/W interrupt           |           |         |   | 1 |   |   |   |
| WFI   | Wait for Interrupt     |                         |           |         |   | 0 |   |   |   |
| XOR   | Exclusive OR           | A = A XOR M             | A         | M       |   |   | N | Z |   |

## 13 ELECTRICAL CHARACTERISTICS

### 13.1 PARAMETER CONDITIONS

Unless otherwise specified, all voltages are referred to  $V_{SS}$ .

#### 13.1.1 Minimum and Maximum values

Unless otherwise specified the minimum and maximum values are guaranteed in the worst conditions of ambient temperature, supply voltage and frequencies by tests in production on 100% of the devices with an ambient temperature at  $T_A=25^\circ\text{C}$  and  $T_A=T_{A\text{max}}$  (given by the selected temperature range).

Data based on characterization results, design simulation and/or technology characteristics are indicated in the table footnotes and are not tested in production. Based on characterization, the minimum and maximum values refer to sample tests and represent the mean value plus or minus three times the standard deviation ( $\text{mean} \pm 3\Sigma$ ).

#### 13.1.2 Typical values

Unless otherwise specified, typical data are based on  $T_A=25^\circ\text{C}$ ,  $V_{DD}=5\text{V}$  (for the  $4.5\text{V} \leq V_{DD} \leq 5.5\text{V}$  voltage range) and  $V_{DD}=3.3\text{V}$  (for the  $3\text{V} \leq V_{DD} \leq 3.6\text{V}$  voltage range). They are given only as design guidelines and are not tested.

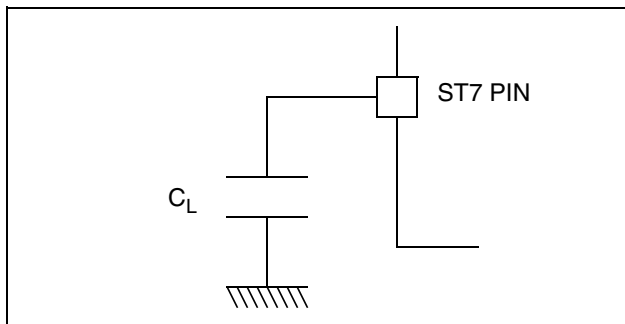
#### 13.1.3 Typical curves

Unless otherwise specified, all typical curves are given only as design guidelines and are not tested.

#### 13.1.4 Loading capacitor

The loading conditions used for pin parameter measurement are shown in [Figure 63](#).

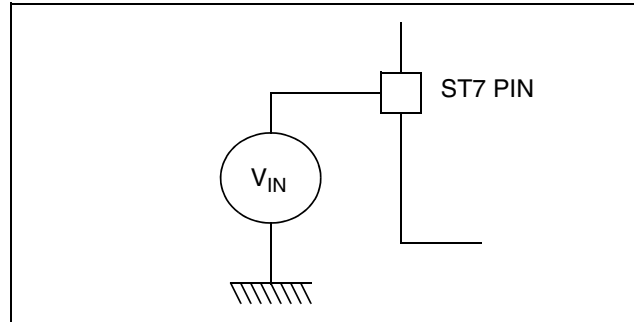
**Figure 63. Pin loading conditions**



#### 13.1.5 Pin input voltage

The input voltage measurement on a pin of the device is described in [Figure 64](#).

**Figure 64. Pin input voltage**



## 13.2 ABSOLUTE MAXIMUM RATINGS

Stresses above those listed as “absolute maximum ratings” may cause permanent damage to the device. This is a stress rating only and functional operation of the device under these condi-

tions is not implied. Exposure to maximum rating conditions for extended periods may affect device reliability.

### 13.2.1 Voltage Characteristics

| Symbol            | Ratings  | Maximum value                                  | Unit |
|-------------------|--|--|------|
| $V_{DD} - V_{SS}$ | Supply voltage                                     | 7.0  | V    |
| $V_{IN}$          | Input voltage on any pin <sup>1) &amp; 2)</sup>    | $V_{SS}-0.3$ to $V_{DD}+0.3$                   |      |
| $V_{ESD(HBM)}$    | Electrostatic discharge voltage (Human Body Model) | see <a href="#">section 13.7.3 on page 128</a> |      |
| $V_{ESD(MM)}$     | Electrostatic discharge voltage (Machine Model)    |  |      |

### 13.2.2 Current Characteristics

| Symbol                     | Ratings  | Maximum value | Unit |
|----------------------------|--|---------------|------|
| $I_{VDD}$                  | Total current into $V_{DD}$ power lines (source) <sup>3)</sup>         | 75            | mA   |
| $I_{VSS}$                  | Total current out of $V_{SS}$ ground lines (sink) <sup>3)</sup>        | 150           |      |
| $I_{IO}$                   | Output current sunk by any standard I/O and control pin                | 20            |      |
|                            | Output current sunk by any high sink I/O pin                           | 40            |      |
|                            | Output current source by any I/Os and control pin                      | - 25          |      |
| $I_{INJ(PIN)}^{2) \& 4)}$  | Injected current on ISPSEL pin   | $\pm 5$       |      |
|                            | Injected current on $\overline{RESET}$ pin                             | $\pm 5$       |      |
|                            | Injected current on OSC1 and OSC2 pins                                 | $\pm 5$       |      |
|                            | Injected current on PB0 pin <sup>5)</sup>                              | +5            |      |
|                            | Injected current on any other pin <sup>6)</sup>                        | $\pm 5$       |      |
| $\Sigma I_{INJ(PIN)}^{2)}$ | Total injected current (sum of all I/O and control pins) <sup>6)</sup> | $\pm 20$      |      |

### 13.2.3 Thermal Characteristics

| Symbol    | Ratings  | Value       | Unit |
|-----------|--|-------------|------|
| $T_{STG}$ | Storage temperature range  | -65 to +150 | °C   |
| $T_J$     | Maximum junction temperature (see <a href="#">Table 24, “THERMAL CHARACTERISTICS,” on page 147</a> ) |             |      |

#### Notes:

- Directly connecting the  $\overline{RESET}$  and I/O pins to  $V_{DD}$  or  $V_{SS}$  could damage the device if an unintentional internal reset is generated or an unexpected change of the I/O configuration occurs (for example, due to a corrupted program counter). To guarantee safe operation, this connection has to be done through a pull-up or pull-down resistor (typical: 4.7k $\Omega$  for  $\overline{RESET}$ , 10k $\Omega$  for I/Os). Unused I/O pins must be tied in the same way to  $V_{DD}$  or  $V_{SS}$  according to their reset configuration.
- $I_{INJ(PIN)}$  must never be exceeded. This is implicitly insured if  $V_{IN}$  maximum is respected. If  $V_{IN}$  maximum cannot be respected, the injection current must be limited externally to the  $I_{INJ(PIN)}$  value. A positive injection is induced by  $V_{IN} > V_{DD}$  while a negative injection is induced by  $V_{IN} < V_{SS}$ . For true open-drain pads, there is no positive injection current, and the corresponding  $V_{IN}$  maximum must always be respected.
- All power ( $V_{DD}$ ) and ground ( $V_{SS}$ ) lines must always be connected to the external supply.
- Negative injection disturbs the analog performance of the device. In particular, it induces leakage currents throughout the device including the analog inputs. To avoid undesirable effects on the analog functions, care must be taken:
  - Analog input pins must have a negative injection less than 0.8 mA (assuming that the impedance of the analog voltage is lower than the specified limits)
  - Pure digital pins must have a negative injection less than 1.6mA. In addition, it is recommended to inject the current as far as possible from the analog input pins.
- No negative current injection allowed on PB0 pin.
- When several inputs are submitted to a current injection, the maximum  $\Sigma I_{INJ(PIN)}$  is the absolute sum of the positive and negative injected currents (instantaneous values). These results are based on characterisation with  $\Sigma I_{INJ(PIN)}$  maximum current injection on four I/O port pins of the device.

13.3 OPERATING CONDITIONS

13.3.1 General Operating Conditions: Suffix 6 Devices

T<sub>A</sub> = -40 to +85°C unless otherwise specified.

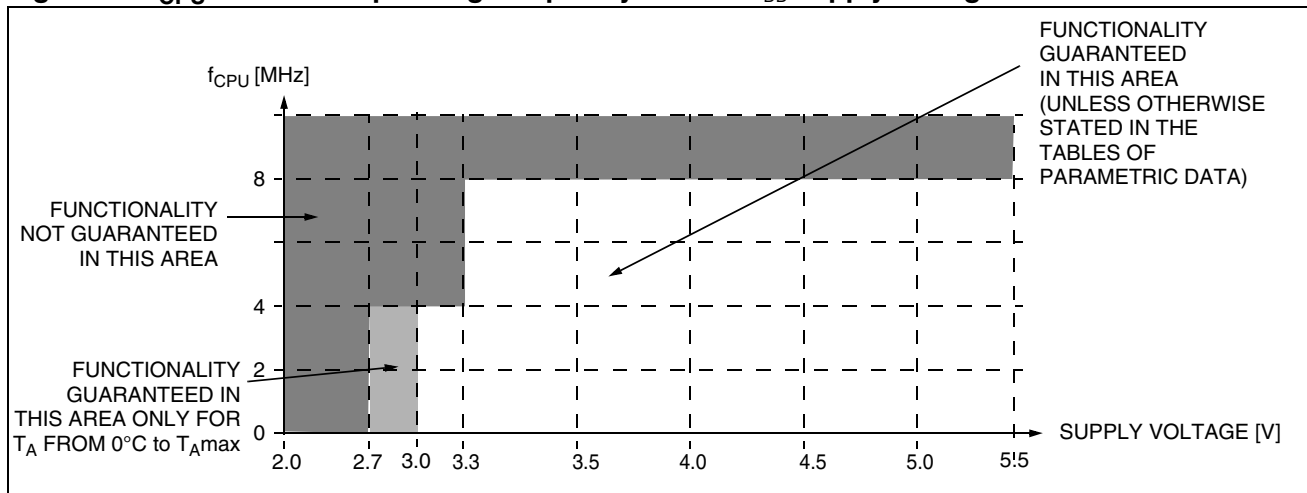
| Symbol           | Parameter           | Conditions   | Min     | Max | Unit |
|------------------|---------------------|--|---------|-----|------|
| V <sub>DD</sub>  | Supply voltage      | f <sub>CPU</sub> = 4 MHz. max., T <sub>A</sub> = 0 to 85°C   | 2.7     | 5.5 | V    |
|                  |                     | f <sub>CPU</sub> = 4 MHz. max., T <sub>A</sub> = -40 to 85°C | 3.0     | 5.5 |      |
|                  |                     | f <sub>CPU</sub> = 8 MHz. max.                               | 3.3     | 5.5 |      |
| f <sub>CPU</sub> | CPU clock frequency | V <sub>DD</sub> ≥ 3.3V                                       | up to 8 |     | MHz  |
|                  |                     | 2.7V ≤ V <sub>DD</sub> < 3.3V                                | up to 4 |     |      |

13.3.2 General Operating Conditions: Suffix 3 Devices

T<sub>A</sub> = -40 to +125°C unless otherwise specified.

| Symbol           | Parameter           | Conditions  | Min     | Max | Unit |
|------------------|---------------------|---|---------|-----|------|
| V <sub>DD</sub>  | Supply voltage      | f <sub>CPU</sub> = 4 MHz. max., T <sub>A</sub> = 0 to 125°C   | 2.7     | 5.5 | V    |
|                  |                     | f <sub>CPU</sub> = 4 MHz. max., T <sub>A</sub> = -40 to 125°C | 3.0     | 5.5 |      |
|                  |                     | f <sub>CPU</sub> = 8 MHz. max.                                | 3.3     | 5.5 |      |
| f <sub>CPU</sub> | CPU clock frequency | V <sub>DD</sub> ≥ 3.3V  | up to 8 |     | MHz  |
|                  |                     | 2.7V ≤ V <sub>DD</sub> < 3.3V                                 | up to 4 |     |      |

Figure 65. f<sub>CPU</sub> Maximum Operating Frequency Versus V<sub>DD</sub> Supply Voltage





### 13.3.3 Operating Conditions with Low Voltage Detector (LVD)

#### 13.3.3.1 Operating Conditions with LVD at $T_A = -40$ to $125^\circ\text{C}$ , unless otherwise specified

| Symbol         | Parameter                                       | Conditions                    | Min  | Typ  | Max  | Unit          |
|----------------|---|-------------------------------|------|------|------|---------------|
| $V_{IT+(LVD)}$ | Reset release threshold<br>( $V_{DD}$ rise)     | High Threshold                | 3.80 | 4.20 | 4.60 | V             |
|                |   | Med. Threshold                | 3.20 | 3.55 | 3.90 |               |
|                |   | Low Threshold                 | 2.65 | 2.85 | 3.10 |               |
| $V_{IT-(LVD)}$ | Reset generation threshold<br>( $V_{DD}$ fall)  | High Threshold                | 3.70 | 4.00 | 4.35 | V             |
|                |   | Med. Threshold                | 3.10 | 3.35 | 3.70 |               |
|                |   | Low Threshold                 | 2.50 | 2.70 | 2.90 |               |
| $V_{hys}$      | LVD voltage threshold hysteresis                | $V_{IT+(LVD)} - V_{IT-(LVD)}$ |      | 200  |      | mV            |
| $V_{tPOR}$     | $V_{DD}$ rise time rate <sup>1)2)</sup>         |                               |      |      | 100  | ms/V          |
| $t_g(V_{DD})$  | Filtered glitch delay on $V_{DD}$ <sup>1)</sup> | Not detected by the LVD       |      | 150  |      | ns            |
| $I_{DD(LVD)}$  | LVD/AVD current consumption                     |                               |      | 200  |      | $\mu\text{A}$ |

**Notes:**

1. The  $V_{DD}$  rise time rate condition is needed to insure a correct device power-on and LVD reset. Not tested in production.
2. Use of LVD with capacitive power supply: with this type of power supply, if power cuts occur in the application, it is recommended to pull  $V_{DD}$  down to 0V to ensure optimum restart conditions. Refer to circuit example in [Figure 106 on page 136](#) and note 4.

### 13.3.4 Auxiliary Voltage Detector (AVD) Thresholds

$T_A = -40$  to  $125^\circ\text{C}$ , unless otherwise specified

| Symbol           | Parameter  | Conditions  | Typ                  | Unit |
|------------------|--|---|----------------------|------|
| $V_{IT+(AVD)}$   | 1=>0 AVDF flag toggle threshold ( $V_{DD}$ rise)           | High Threshold<br>Med. Threshold<br>Low Threshold | 4.50<br>4.00<br>3.35 | V    |
| $V_{IT-(AVD)}$   | 0=>1 AVDF flag toggle threshold ( $V_{DD}$ fall)           | High Threshold<br>Med. Threshold<br>Low Threshold | 4.40<br>3.85<br>3.20 |      |
| $V_{hys}$        | AVD voltage threshold hysteresis                           | $V_{IT+(AVD)} - V_{IT-(AVD)}$                     | 170                  | mV   |
| $\Delta V_{IT-}$ | Voltage drop between AVD flag set and LVD reset activation | $V_{DD}$ fall                                     | 0.15                 | V    |

### 13.3.5 Internal RC Oscillator and PLL

The ST7 internal clock can be supplied by an internal RC oscillator and PLL (selectable by option byte).

| Symbol          | Parameter                                | Conditions   | Min | Typ | Max | Unit                                 |
|-----------------|--|--|-----|-----|-----|--------------------------------------|
| $V_{DD(RC)}$    | Internal RC Oscillator operating voltage | Refer to operating range of $V_{DD}$ with $T_A$ , <a href="#">section 13.3.1 on page 112</a> | 2.7 |     | 5.5 | V                                    |
| $V_{DD(x4PLL)}$ | x4 PLL operating voltage                 |  | 2.7 |     | 3.7 |                                      |
| $V_{DD(x8PLL)}$ | x8 PLL operating voltage                 |  | 3.3 |     | 5.5 |                                      |
| $t_{STARTUP}$   | PLL Startup time                         |  |     | 60  |     | PLL input clock ( $f_{PLL}$ ) cycles |

**OPERATING CONDITIONS (Cont'd)**

The RC oscillator and PLL characteristics are temperature-dependent and are grouped in four tables.

**13.3.5.1 Devices with "6" or "3" order code suffix (tested for  $T_A = -40$  to  $+125^\circ\text{C}$ ) @  $V_{DD} = 5\text{V}$** 

| Symbol               | Parameter  | Conditions   | Min  | Typ               | Max              | Unit |
|----------------------|--|--|------|-------------------|------------------|------|
| $f_{RC}$             | Internal RC oscillator frequency <sup>1)</sup>                   | RCCR = FF (reset value), $T_A=25^\circ\text{C}, V_{DD}=5\text{V}$                |      | 700               |                  | kHz  |
|                      |  | RCCR = RCCR0 <sup>2)</sup> , $T_A=25^\circ\text{C}, V_{DD}=5\text{V}$            | 992  | 1000              | 1008             |      |
| ACC <sub>RC</sub>    | Accuracy of Internal RC oscillator with RCCR=RCCR0 <sup>2)</sup> | $T_A=25^\circ\text{C}, V_{DD}=5\text{V}$   | -0.8 |                   | +0.8             | %    |
|                      |  | $T_A=25^\circ\text{C}, V_{DD}=4.5$ to $5.5\text{V}^{3)}$                         | -1   |                   | +1               | %    |
|                      |  | $T_A=25^\circ\text{C}$ to $+85^\circ\text{C}, V_{DD}=5\text{V}$                  | -3   |                   | +3               | %    |
|                      |  | $T_A=25^\circ\text{C}$ to $+85^\circ\text{C}, V_{DD}=4.5$ to $5.5\text{V}^{3)}$  | -3.5 |                   | +3.5             | %    |
|                      |  | $T_A=85^\circ\text{C}$ to $+125^\circ\text{C}, V_{DD}=5\text{V}$                 | -3.5 |                   | +5               | %    |
|                      |  | $T_A=85^\circ\text{C}$ to $+125^\circ\text{C}, V_{DD}=4.5$ to $5.5\text{V}^{3)}$ | -3.5 |                   | +6               | %    |
|                      |  | $T_A=-40$ to $+25^\circ\text{C}, V_{DD}=5\text{V}^{3)}$                          | -3   |                   | +7               | %    |
| I <sub>DD(RC)</sub>  | RC oscillator current consumption                                | $T_A=25^\circ\text{C}, V_{DD}=5\text{V}$   |      | 600 <sup>3)</sup> |                  | μA   |
| t <sub>su(RC)</sub>  | RC oscillator setup time   | $T_A=25^\circ\text{C}, V_{DD}=5\text{V}$   |      |                   | 10 <sup>2)</sup> | μs   |
| f <sub>PLL</sub>     | x8 PLL input clock   |  |      | 1 <sup>3)</sup>   |                  | MHz  |
| t <sub>LOCK</sub>    | PLL Lock time <sup>5)</sup>                                      |  |      | 2                 |                  | ms   |
| t <sub>STAB</sub>    | PLL Stabilization time <sup>5)</sup>                             |  |      | 4                 |                  | ms   |
| ACC <sub>PLL</sub>   | x8 PLL Accuracy  | $f_{RC} = 1\text{MHz}$ @ $T_A=25^\circ\text{C}, V_{DD}=4.5$ to $5.5\text{V}$     |      | 0.1 <sup>4)</sup> |                  | %    |
|                      |  | $f_{RC} = 1\text{MHz}$ @ $T_A=-40$ to $+85^\circ\text{C}, V_{DD}=5\text{V}$      |      | 0.1 <sup>4)</sup> |                  | %    |
| t <sub>w(JIT)</sub>  | PLL jitter period <sup>6)</sup>                                  | $f_{RC} = 1\text{MHz}$   |      | 120               |                  | μs   |
| JIT <sub>PLL</sub>   | PLL jitter ( $\Delta f_{CPU}/f_{CPU}$ )                          |  |      | 1 <sup>7)</sup>   |                  | %    |
| I <sub>DD(PLL)</sub> | PLL current consumption  | $T_A=25^\circ\text{C}$   |      | 600 <sup>3)</sup> |                  | μA   |

**Notes:**

1. If the RC oscillator clock is selected, to improve clock stability and frequency accuracy, it is recommended to place a decoupling capacitor, typically 100nF, between the V<sub>DD</sub> and V<sub>SS</sub> pins as close as possible to the ST7 device.
2. See "INTERNAL RC OSCILLATOR ADJUSTMENT" on page 23
3. Data based on characterization results, not tested in production
4. Averaged over a 4ms period. After the LOCKED bit is set, a period of t<sub>STAB</sub> is required to reach ACC<sub>PLL</sub> accuracy.
5. After the LOCKED bit is set ACC<sub>PLL</sub> is max. 10% until t<sub>STAB</sub> has elapsed. See [Figure 13 on page 24](#).
6. This period is the phase servo loop period. During this period, the frequency remains unchanged.
7. Guaranteed by design.

Figure 66. Typical accuracy with RCCR=RCCR0 vs  $V_{DD}$ = 4.5-5.5V and Temperature

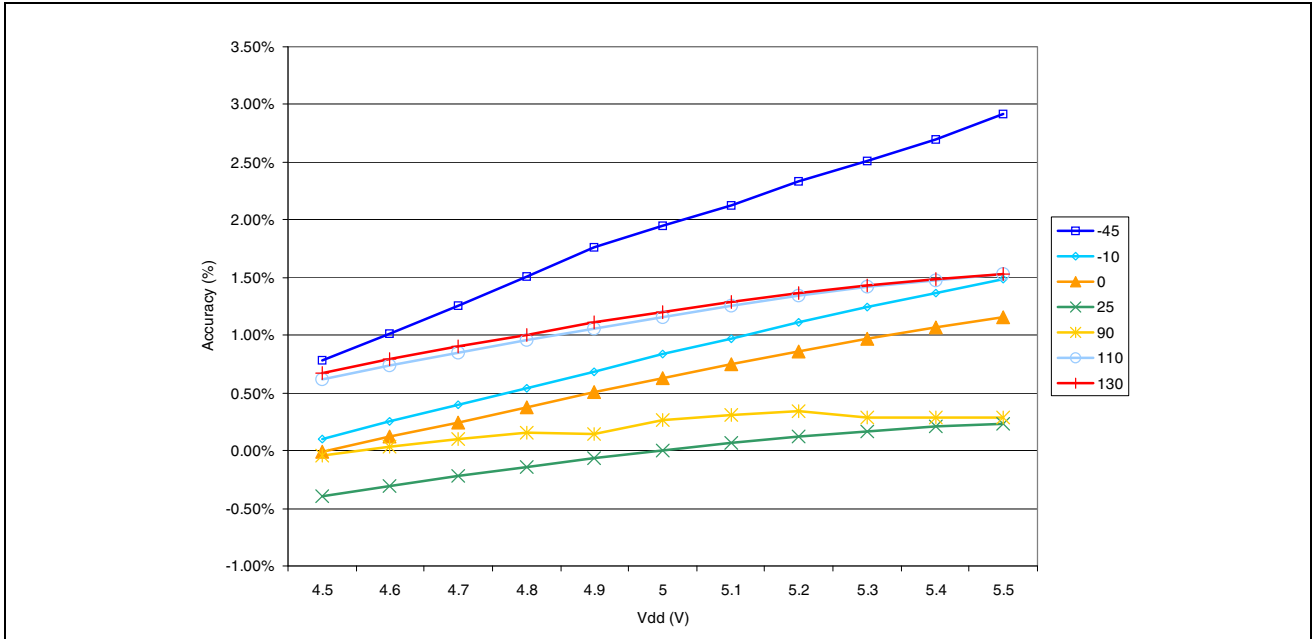
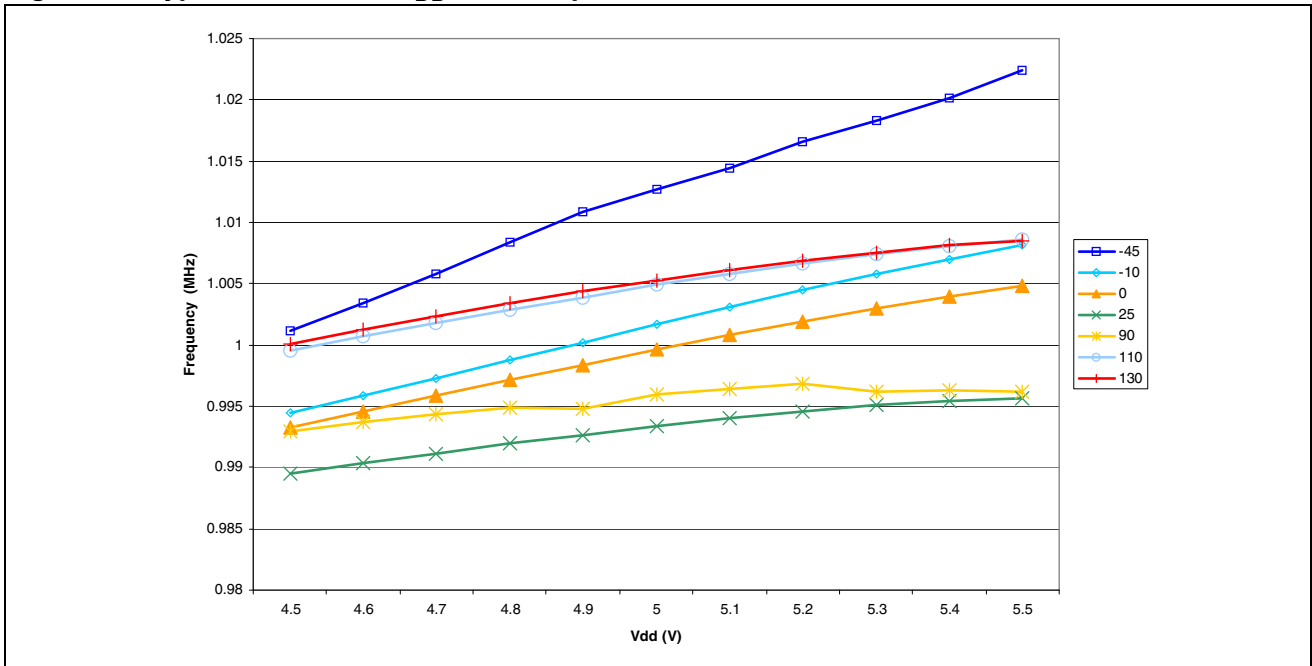


Figure 67. Typical RCCR0 vs  $V_{DD}$  and Temperature



## OPERATING CONDITIONS (Cont'd)

13.3.5.2 Devices with "6" or "3" order code suffix (tested for  $T_A = -40$  to  $+125^\circ\text{C}$ ) @  $V_{DD} = 3.0$  to  $3.6\text{V}$ 

| Symbol               | Parameter  | Conditions   | Min  | Typ               | Max              | Unit |
|----------------------|--|--|------|-------------------|------------------|------|
| $f_{RC}$             | Internal RC oscillator frequency <sup>1)</sup>                                   | RCCR = FF (reset value), $T_A=25^\circ\text{C}$ , $V_{DD}= 3.3\text{V}$          |      | 700               |                  | kHz  |
|                      |  | RCCR=RCCR1 <sup>2)</sup> , $T_A=25^\circ\text{C}$ , $V_{DD}= 3.3\text{V}$        | 992  | 1000              | 1008             |      |
| ACC <sub>RC</sub>    | Accuracy of Internal RC oscillator when calibrated with RCCR=RCCR1 <sup>2)</sup> | $T_A=25^\circ\text{C}$ , $V_{DD}=3.3\text{V}$                                    | -0.8 |                   | +0.8             | %    |
|                      |  | $T_A=25^\circ\text{C}$ , $V_{DD}=3.0$ to $3.6\text{V}$ <sup>3)</sup>             | -1   |                   | +1               | %    |
|                      |  | $T_A=25$ to $+85^\circ\text{C}$ , $V_{DD}=3.3\text{V}$                           | -3   |                   | +3               | %    |
|                      |  | $T_A=25$ to $+85^\circ\text{C}$ , $V_{DD}=3.0$ to $3.6\text{V}$ <sup>3)</sup>    | -3.5 |                   | +3.5             | %    |
|                      |  | $T_A=25$ to $+125^\circ\text{C}$ , $V_{DD}=3.0$ to $3.6\text{V}$ <sup>3)</sup>   | -5   |                   | +6.5             | %    |
|                      |  | $T_A=-40$ to $+25^\circ\text{C}$ , $V_{DD}=3.0$ to $3.6\text{V}$ <sup>3)</sup>   | -3.5 |                   | +4               | %    |
| I <sub>DD(RC)</sub>  | RC oscillator current consumption  | $T_A=25^\circ\text{C}$ , $V_{DD}=3.3\text{V}$                                    |      | 400 <sup>3)</sup> |                  | μA   |
| t <sub>su(RC)</sub>  | RC oscillator setup time   | $T_A=25^\circ\text{C}$ , $V_{DD}=3.3\text{V}$                                    |      |                   | 10 <sup>2)</sup> | μs   |
| f <sub>PLL</sub>     | x4 PLL input clock   |  |      | 0.7 <sup>3)</sup> |                  | MHz  |
| t <sub>LOCK</sub>    | PLL Lock time <sup>5)</sup>  |  |      | 2                 |                  | ms   |
| t <sub>STAB</sub>    | PLL Stabilization time <sup>5)</sup>   |  |      | 4                 |                  | ms   |
| ACC <sub>PLL</sub>   | x4 PLL Accuracy  | $f_{RC} = 1\text{MHz}$ @ $T_A=25^\circ\text{C}$ , $V_{DD}=2.7$ to $3.3\text{V}$  |      | 0.1 <sup>4)</sup> |                  | %    |
|                      |  | $f_{RC} = 1\text{MHz}$ @ $T_A=40$ to $+85^\circ\text{C}$ , $V_{DD}= 3.3\text{V}$ |      | 0.1 <sup>4)</sup> |                  | %    |
| t <sub>w(JIT)</sub>  | PLL jitter period <sup>6)</sup>  | $f_{RC} = 1\text{MHz}$   |      | 120               |                  | μs   |
| JIT <sub>PLL</sub>   | PLL jitter ( $\Delta f_{CPU}/f_{CPU}$ )  |  |      | 1 <sup>7)</sup>   |                  | %    |
| I <sub>DD(PLL)</sub> | PLL current consumption  | $T_A=25^\circ\text{C}$   |      | 190 <sup>3)</sup> |                  | μA   |

## Notes:

1. If the RC oscillator clock is selected, to improve clock stability and frequency accuracy, it is recommended to place a decoupling capacitor, typically 100nF, between the  $V_{DD}$  and  $V_{SS}$  pins as close as possible to the ST7 device.
2. See "INTERNAL RC OSCILLATOR ADJUSTMENT" on page 23.
3. Data based on characterization results, not tested in production
4. Averaged over a 4ms period. After the LOCKED bit is set, a period of t<sub>STAB</sub> is required to reach ACC<sub>PLL</sub> accuracy
5. After the LOCKED bit is set ACC<sub>PLL</sub> is max. 10% until t<sub>STAB</sub> has elapsed. See [Figure 13 on page 24](#).
6. This period is the PLL servoing period. During this period, the frequency remains unchanged.
7. Guaranteed by design.

OPERATING CONDITIONS (Cont'd)

Figure 68. Typical accuracy with RCCR=RCCR1 vs  $V_{DD}$ = 3-3.6V and Temperature

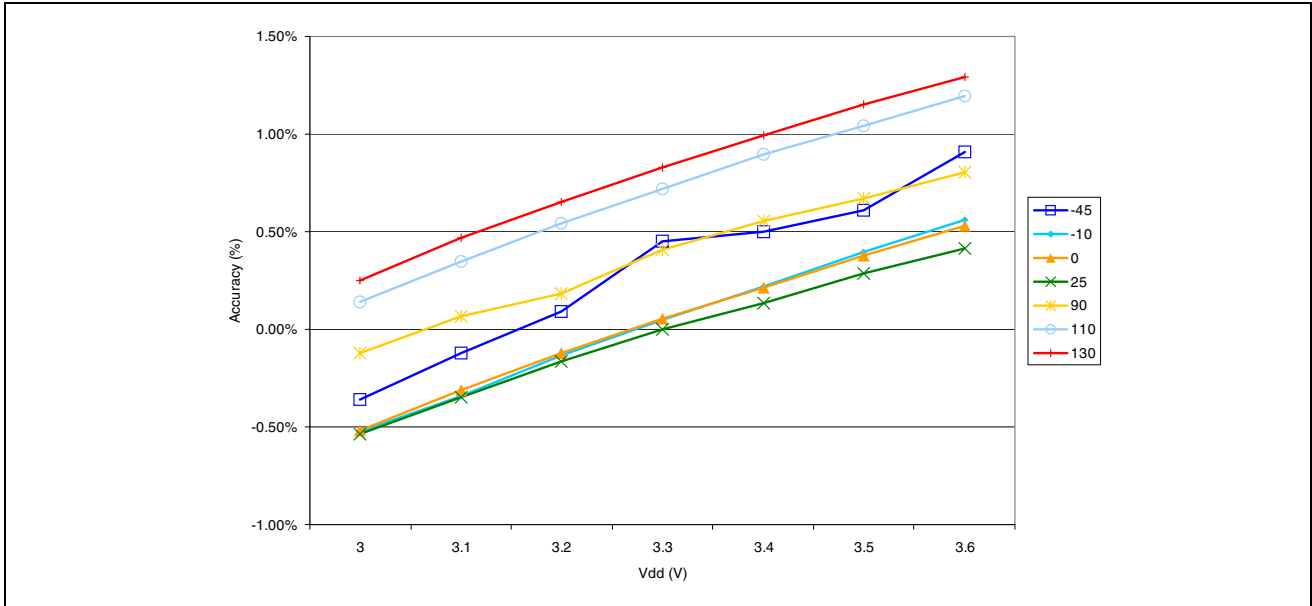
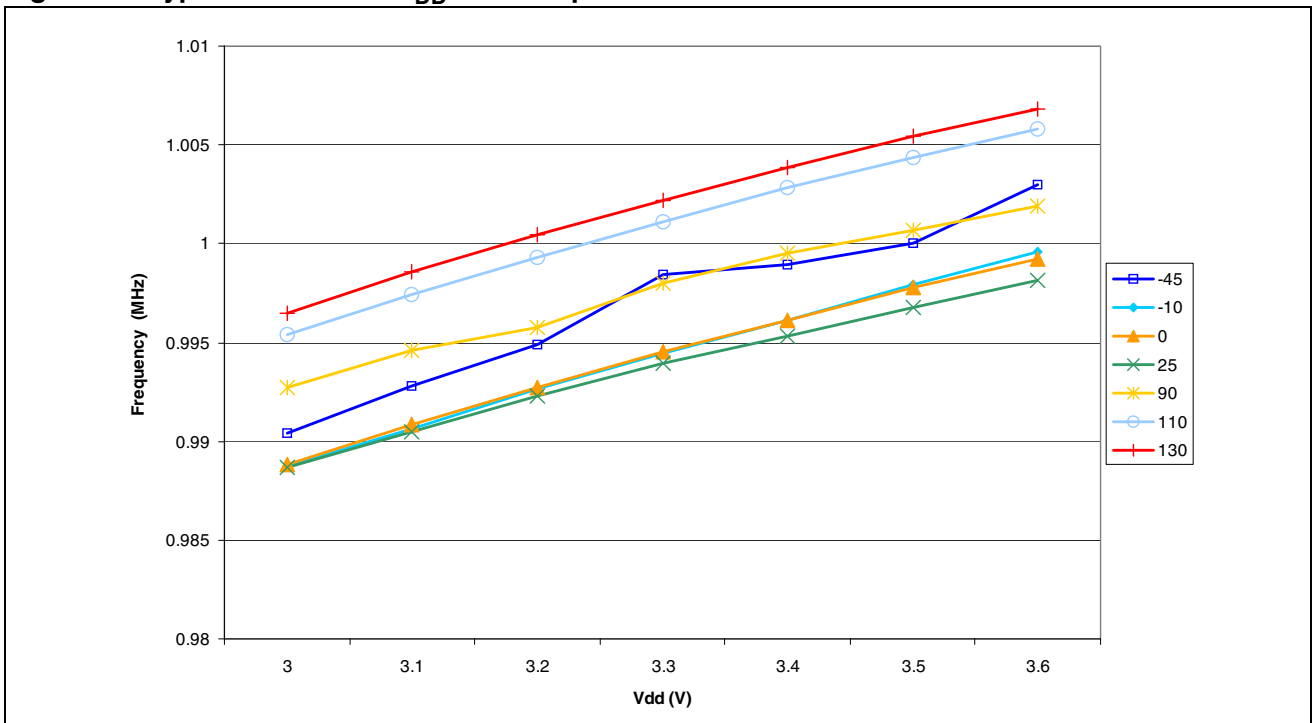
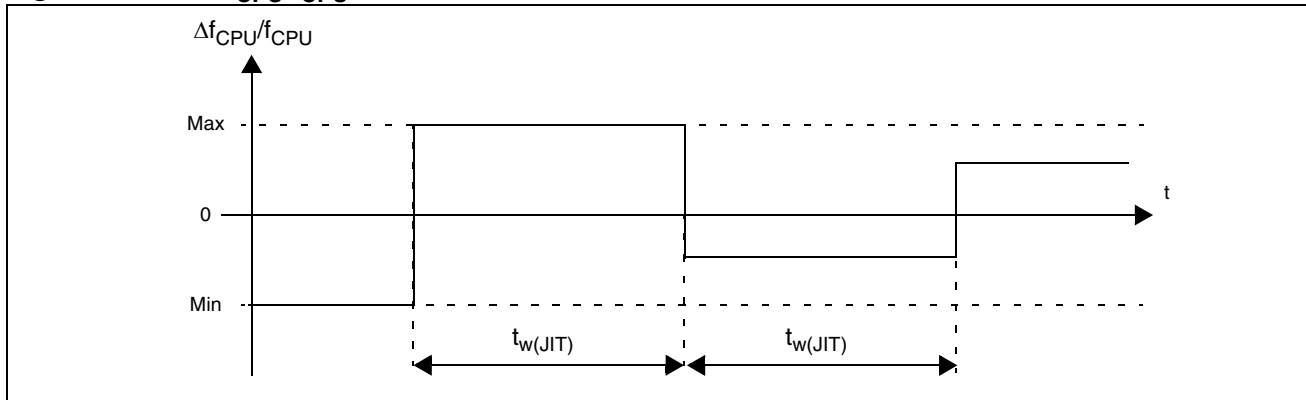


Figure 69. Typical RCCR1 vs  $V_{DD}$  and Temperature



## OPERATING CONDITIONS (Cont'd)

Figure 70. PLL  $\Delta f_{\text{CPU}}/f_{\text{CPU}}$  versus time

## 13.3.5.3 32MHz PLL

$T_A = -40$  to  $125^\circ\text{C}$ , unless otherwise specified

| Symbol             | Parameter               | Min | Typ | Max | Unit |
|--------------------|-------------------------|-----|-----|-----|------|
| $V_{\text{DD}}$    | Voltage <sup>1)</sup>   | 4.5 | 5   | 5.5 | V    |
| $f_{\text{PLL32}}$ | Frequency <sup>1)</sup> |     | 32  |     | MHz  |
| $f_{\text{INPUT}}$ | Input Frequency         | 7   | 8   | 9   | MHz  |

**Note:**

1. 32 MHz is guaranteed within this voltage range.

### 13.3.6 Operating conditions with ADC

$T_A = -40$  to  $125^\circ\text{C}$ , unless otherwise specified

| Symbol                     | Parameter                          | Typ | Unit |
|----------------------------|------------------------------------|-----|------|
| $I_{\text{INJ(ANA)}}^{1)}$ | Injected current on any analog pin | 0   | mA   |

**Note:**

1. Current injection (negative or positive) not allowed on any analog pin.



### 13.4 SUPPLY CURRENT CHARACTERISTICS

The following current consumption specified for the ST7 functional operating modes over temperature range does not take into account the clock source current consumption. To get the total de-

vice consumption, the two current values must be added (except for HALT mode for which the clock is stopped).

#### 13.4.1 Supply Current

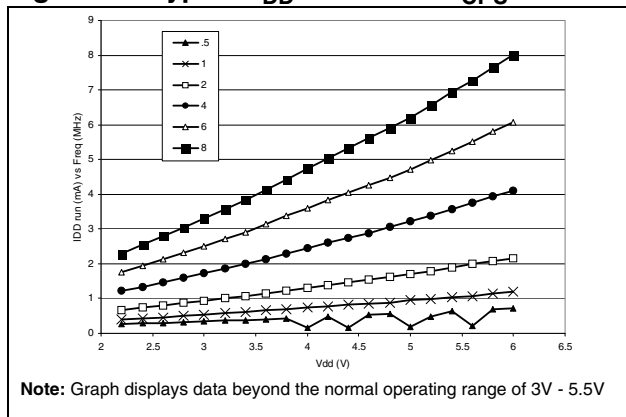
T<sub>A</sub> = -40 to +85°C unless otherwise specified

| Symbol          | Parameter                                      | Conditions   | Typ | Max | Unit |
|-----------------|--|--|-----|-----|------|
| I <sub>DD</sub> | Supply current in RUN mode                     | V <sub>DD</sub> =5.5V<br>f <sub>CPU</sub> =8MHz <sup>1)</sup><br>-40°C ≤ T <sub>A</sub> ≤ +125°C | 7   | 9   | mA   |
|                 | Supply current in WAIT mode                    |  | 3   | 3.6 |      |
|                 | Supply current in SLOW mode                    |  | 0.7 | 0.9 |      |
|                 | Supply current in SLOW WAIT mode <sup>7)</sup> |  | 0.5 | 0.8 |      |
|                 | Supply current in HALT mode <sup>5)</sup>      |  | <1  | 6   | μA   |
|                 | Supply current in AWUFH mode <sup>6)7)</sup>   |  | 20  |     |      |

**Notes:**

1. CPU running with memory access, all I/O pins in input mode with a static value at V<sub>DD</sub> or V<sub>SS</sub> (no load), all peripherals in reset state; clock input (CLKIN) driven by external square wave, LVD disabled.
2. All I/O pins in input mode with a static value at V<sub>DD</sub> or V<sub>SS</sub> (no load), all peripherals in reset state; clock input (CLKIN) driven by external square wave, LVD disabled.
3. SLOW mode selected with f<sub>CPU</sub> based on f<sub>OSC</sub> divided by 32. All I/O pins in input mode with a static value at V<sub>DD</sub> or V<sub>SS</sub> (no load), all peripherals in reset state; clock input (CLKIN) driven by external square wave, LVD disabled.
4. SLOW-WAIT mode selected with f<sub>CPU</sub> based on f<sub>OSC</sub> divided by 32. All I/O pins in input mode with a static value at V<sub>DD</sub> or V<sub>SS</sub> (no load), all peripherals in reset state; clock input (CLKIN) driven by external square wave, LVD disabled.
5. All I/O pins in output mode with a static value at V<sub>SS</sub> (no load), LVD disabled. Data based on characterization results, tested in production at V<sub>DD</sub> max and f<sub>CPU</sub> max.
6. All I/O pins in input mode with a static value at V<sub>DD</sub> or V<sub>SS</sub> (no load). Data tested in production at V<sub>DD</sub> max. and f<sub>CPU</sub> max.
7. This consumption refers to the Halt period only and not the associated run period which is software dependent.

**Figure 71. Typical I<sub>DD</sub> in RUN vs. f<sub>CPU</sub>**



**Figure 72. Typical I<sub>DD</sub> in RUN at f<sub>CPU</sub> = 8MHz**

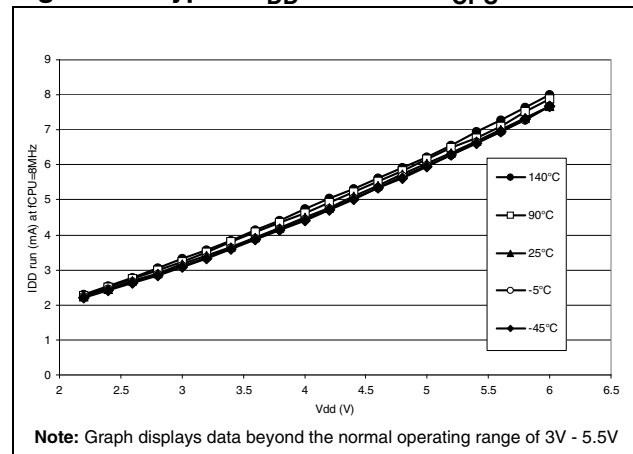


Figure 73. Typical  $I_{DD}$  in SLOW vs.  $f_{CPU}$

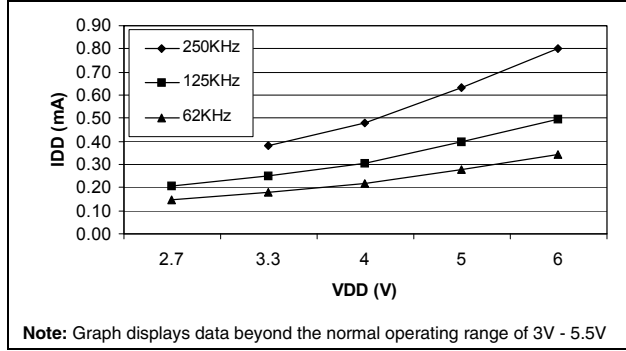


Figure 76. Typical  $I_{DD}$  in SLOW-WAIT vs.  $f_{CPU}$

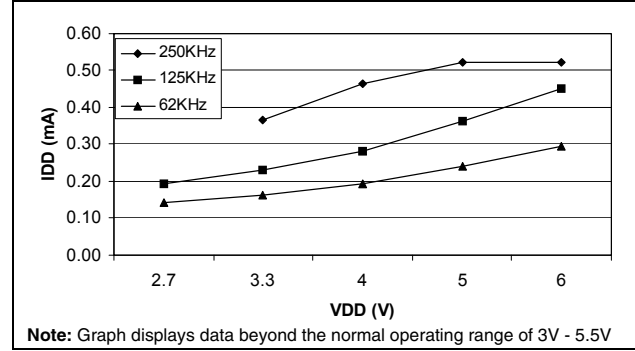


Figure 74. Typical  $I_{DD}$  in WAIT vs.  $f_{CPU}$

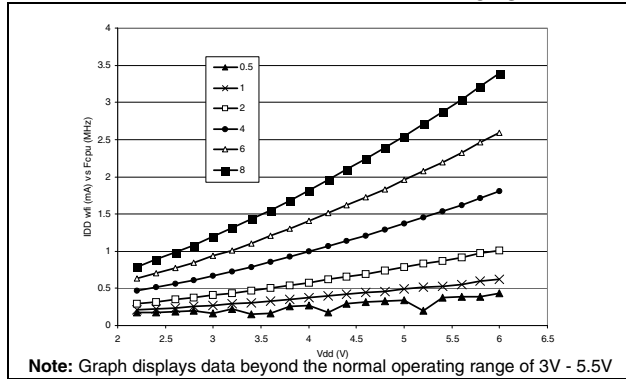


Figure 77. Typical  $I_{DD}$  vs. Temperature at  $V_{DD} = 5V$  and  $f_{CPU} = 8MHz$

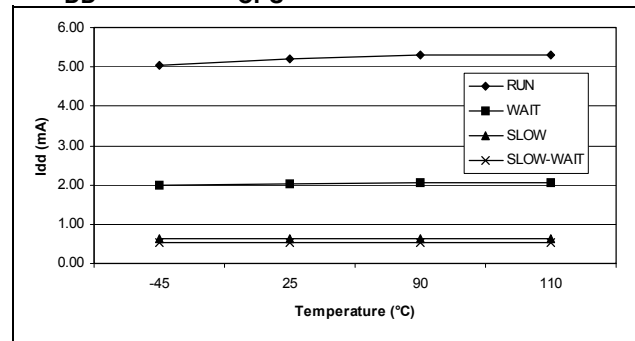
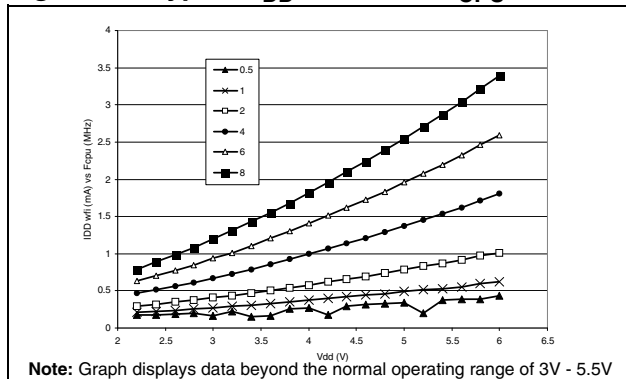


Figure 75. Typical  $I_{DD}$  in WAIT at  $f_{CPU} = 8MHz$



### 13.4.2 On-chip peripherals

| Symbol        | Parameter   | Conditions     |               | Typ  | Unit    |
|---------------|---|----------------|---------------|------|---------|
| $I_{DD(AT)}$  | 12-bit Auto-Reload Timer supply current <sup>1)</sup> | $f_{CPU}=4MHz$ | $V_{DD}=3.0V$ | 150  | $\mu A$ |
|               |   | $f_{CPU}=8MHz$ | $V_{DD}=5.0V$ | 1000 |         |
| $I_{DD(SPI)}$ | SPI supply current <sup>2)</sup>                      | $f_{CPU}=4MHz$ | $V_{DD}=3.0V$ | 50   |         |
|               |   | $f_{CPU}=8MHz$ | $V_{DD}=5.0V$ | 200  |         |
| $I_{DD(ADC)}$ | ADC supply current when converting <sup>3)</sup>      | $f_{ADC}=4MHz$ | $V_{DD}=3.0V$ | 250  |         |
|               |   |                | $V_{DD}=5.0V$ | 1100 |         |

**Notes:**

1. Data based on a differential  $I_{DD}$  measurement between reset configuration (timer stopped) and a timer running in PWM mode at  $f_{CPU}=8MHz$ .
2. Data based on a differential  $I_{DD}$  measurement between reset configuration and a permanent SPI master communication (data sent equal to 55h).
3. Data based on a differential  $I_{DD}$  measurement between reset configuration and continuous A/D conversions with amplifier disabled.

13.5 CLOCK AND TIMING CHARACTERISTICS

Subject to general operating conditions for  $V_{DD}$ ,  $f_{OSC}$ , and  $T_A$ .

13.5.1 General Timings

| Symbol        | Parameter <sup>1)</sup>  | Conditions     | Min  | Typ <sup>2)</sup> | Max  | Unit      |
|---------------|--|----------------|------|-------------------|------|-----------|
| $t_{c(INST)}$ | Instruction cycle time   | $f_{CPU}=8MHz$ | 2    | 3                 | 12   | $t_{CPU}$ |
|               |  |                | 250  | 375               | 1500 | ns        |
| $t_{v(IT)}$   | Interrupt reaction time <sup>3)</sup><br>$t_{v(IT)} = \Delta t_{c(INST)} + 10$ | $f_{CPU}=8MHz$ | 10   |                   | 22   | $t_{CPU}$ |
|               |  |                | 1.25 |                   | 2.75 | $\mu s$   |

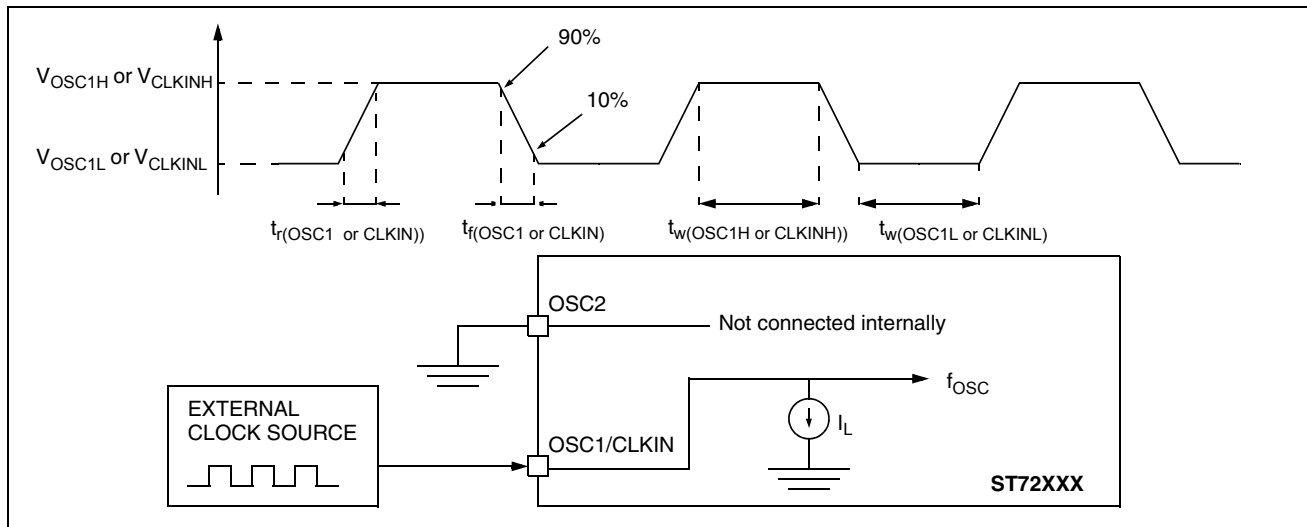
Notes:

1. Guaranteed by Design. Not tested in production.
2. Data based on typical application software.
3. Time measured between interrupt event and interrupt vector fetch.  $\Delta t_{c(INST)}$  is the number of  $t_{CPU}$  cycles needed to finish the current instruction execution.
4. Data based on design simulation and/or technology characteristics, not tested in production.

13.5.2 External Clock Source

| Symbol   | Parameter                                  | Conditions    | Min                              | Typ | Max                 | Unit    |
|--|--|---------------|----------------------------------|-----|---------------------|---------|
| $V_{OSC1H}$ or $V_{CLKIN\_H}$                                  | OSC1/CLKIN input pin high level voltage    | see Figure 78 | $0.7 \times V_{DD}$              |     | $V_{DD}$            | V       |
| $V_{OSC1L}$ or $V_{CLKIN\_L}$                                  | OSC1/CLKIN input pin low level voltage     |               | $V_{SS}$                         |     | $0.3 \times V_{DD}$ |         |
| $t_w(OSC1H)$ or $t_w(CLKINH)$<br>$t_w(OSC1L)$ or $t_w(CLKINL)$ | OSC1/CLKIN high or low time <sup>4)</sup>  |               | 15                               |     |                     | ns      |
| $t_r(OSC1)$ or $t_r(CLKIN)$<br>$t_f(OSC1)$ or $t_f(CLKIN)$     | OSC1/CLKIN rise or fall time <sup>4)</sup> |               |                                  |     | 15                  |         |
| $I_L$  | OSCx/CLKIN Input leakage current           |               | $V_{SS} \leq V_{IN} \leq V_{DD}$ |     |                     | $\pm 1$ |

Figure 78. Typical Application with an External Clock Source



13.5.3 Auto Wakeup from Halt Oscillator (AWU)

| Symbol      | Parameter <sup>1)</sup>     | Conditions | Min | Typ | Max | Unit    |
|-------------|-----------------------------|------------|-----|-----|-----|---------|
| $f_{AWU}$   | AWU Oscillator Frequency    |            | 50  | 125 | 250 | kHz     |
| $t_{RCSRT}$ | AWU Oscillator startup time |            |     |     | 50  | $\mu s$ |

Note: 1. Guaranteed by Design. Not tested in production.

## CLOCK AND TIMING CHARACTERISTICS (Cont'd)

### 13.5.4 Crystal and Ceramic Resonator Oscillators

The ST7 internal clock can be supplied with ten different Crystal/Ceramic resonator oscillators. All the information given in this paragraph are based on characterization results with specified typical external components. In the application, the resonator and the load capacitors have to be placed as

close as possible to the oscillator pins in order to minimize output distortion and start-up stabilization time. Refer to the crystal/ceramic resonator manufacturer for more details (frequency, package, accuracy...).

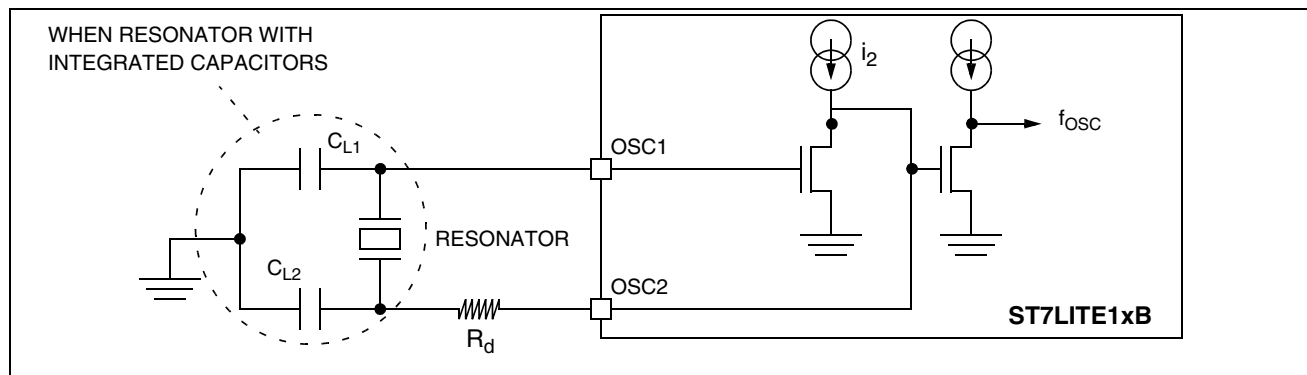
| Symbol               | Parameter  | Conditions | Min             | Typ | Max | Unit |
|----------------------|--|------------|-----------------|-----|-----|------|
| $f_{CrOSC}$          | Crystal Oscillator Frequency   |            | 2               |     | 16  | MHz  |
| $C_{L1}$<br>$C_{L2}$ | Recommended load capacitance versus equivalent serial resistance of the crystal or ceramic resonator ( $R_S$ ) |            | See table below |     |     | pF   |

| Supplier | $f_{CrOSC}$<br>(MHz) | Typical Ceramic Resonators <sup>1)</sup> |                  | CL1 <sup>3)</sup><br>[pF] | CL2 <sup>3)</sup><br>[pF] | Rd<br>[ $\Omega$ ] | Supply Voltage<br>Range [V] | Temperature<br>Range [°C] |
|----------|----------------------|--|------------------|---------------------------|---------------------------|--------------------|-----------------------------|---------------------------|
|          |                      | Type <sup>2)</sup>                       | Reference        |                           |                           |                    |                             |                           |
| Murata   | 1                    | SMD                                      | CSBFB1M00J58-R0  | 220                       | 220                       | 2.2k               | 3.3V to 5.5V                | -40 to 85                 |
|          |                      | LEAD                                     | CSBLA1M00J58-B0  | 220                       | 220                       | 2.2k               |                             |                           |
|          | 2                    | SMD                                      | CSTCC2M00G56Z-R0 | (47)                      | (47)                      | 0                  | 3.0V to 5.5V                |                           |
|          |                      | 4  | SMD              | CSTCR4M00G53Z-R0          | (15)                      | (15)               |                             |                           |
|          | LEAD                 |  | CSTLS4M00G53Z-B0 | (15)                      | (15)                      | 0                  |                             |                           |
|          | 8                    | SMD                                      | CSTCE8M00G52Z-R0 | (10)                      | (10)                      | 0                  |                             |                           |
|          |                      | LEAD                                     | CSTLS8M00G53Z-B0 | (15)                      | (15)                      | 0                  |                             |                           |
|          | 12                   | SMD                                      | CSTCE12M0G52Z-R0 | (10)                      | (10)                      | 0                  | 3.3V to 5.5V                |                           |
|          |                      | 16                                       | SMD              | CSTCE16M0V51Z-R0          | (5)                       | (5)                |                             |                           |
|          | LEAD                 |  | CSTLS16M0X51Z-B0 | (5)                       | (5)                       | 0                  |                             |                           |

#### Notes:

1. Resonator characteristics given by the ceramic resonator manufacturer. For more information on these resonators, please consult [www.murata.com](http://www.murata.com)
2. SMD = [-R0: Plastic tape package ( $\varnothing = 180\text{mm}$ )]  
LEAD = [-B0: Bulk]
3. () means load capacitor built in resonator

**Figure 79. Typical Application with a Crystal or Ceramic Resonator**



### 13.6 MEMORY CHARACTERISTICS

$T_A = -40^{\circ}\text{C}$  to  $125^{\circ}\text{C}$ , unless otherwise specified

#### 13.6.1 RAM and Hardware Registers

| Symbol   | Parameter                         | Conditions           | Min | Typ | Max | Unit |
|----------|-----------------------------------|----------------------|-----|-----|-----|------|
| $V_{RM}$ | Data retention mode <sup>1)</sup> | HALT mode (or RESET) | 1.6 |     |     | V    |

#### 13.6.2 FLASH Program Memory

| Symbol     | Parameter                                     | Conditions   | Min | Typ  | Max  | Unit          |
|------------|---|--|-----|------|------|---------------|
| $V_{DD}$   | Operating voltage for Flash write/erase       | Refer to operating range of $V_{DD}$ with $T_A$ , <a href="#">section 13.3.1 on page 112</a> | 2.7 |      | 5.5  | V             |
| $t_{prog}$ | Programming time for 1~32 bytes <sup>2)</sup> | $T_A = -40$ to $+125^{\circ}\text{C}$  |     | 5    | 10   | ms            |
|            | Programming time for 1.5 kBytes               | $T_A = +25^{\circ}\text{C}$  |     | 0.24 | 0.48 | s             |
| $t_{RET}$  | Data retention <sup>4)</sup>                  | $T_A = +55^{\circ}\text{C}$ <sup>3)</sup>  | 20  |      |      | years         |
| $N_{RW}$   | Write erase cycles                            | $T_A = +25^{\circ}\text{C}$  | 10K |      |      | cycles        |
| $I_{DD}$   | Supply current <sup>6)</sup>                  | Read / Write / Erase modes<br>$f_{CPU} = 8\text{MHz}$ , $V_{DD} = 5.5\text{V}$               |     |      | 2.6  | mA            |
|            |   | No Read/No Write Mode  |     |      | 100  | $\mu\text{A}$ |
|            |   | Power down mode / HALT   |     | 0    | 0.1  | $\mu\text{A}$ |

#### 13.6.3 EEPROM Data Memory

| Symbol     | Parameter                                | Conditions   | Min  | Typ | Max | Unit   |
|------------|--|--|------|-----|-----|--------|
| $V_{DD}$   | Operating voltage for EEPROM write/erase | Refer to operating range of $V_{DD}$ with $T_A$ , <a href="#">section 13.3.1 on page 112</a> | 2.7  |     | 5.5 | V      |
| $t_{prog}$ | Programming time for 1~32 bytes          | $T_A = -40$ to $+125^{\circ}\text{C}$  |      | 5   | 10  | ms     |
| $t_{ret}$  | Data retention <sup>4)</sup>             | $T_A = +55^{\circ}\text{C}$ <sup>3)</sup>  | 20   |     |     | years  |
| $N_{RW}$   | Write erase cycles                       | $T_A = +25^{\circ}\text{C}$  | 300K |     |     | cycles |

#### Notes:

1. Minimum  $V_{DD}$  supply voltage without losing data stored in RAM (in HALT mode or under RESET) or in hardware registers (only in HALT mode). Guaranteed by construction, not tested in production.
2. Up to 32 bytes can be programmed at a time.
3. The data retention time increases when the  $T_A$  decreases.
4. Data based on reliability test results and monitored in production.
5. Data based on characterization results, not tested in production.
6. Guaranteed by Design. Not tested in production.

## 13.7 EMC CHARACTERISTICS

Susceptibility tests are performed on a sample basis during product characterization.

### 13.7.1 Functional EMS (Electro Magnetic Susceptibility)

Based on a simple running application on the product (toggling 2 LEDs through I/O ports), the product is stressed by two electro magnetic events until a failure occurs (indicated by the LEDs).

- **ESD:** Electro-Static Discharge (positive and negative) is applied on all pins of the device until a functional disturbance occurs. This test conforms with the IEC 1000-4-2 standard.
- **FTB:** A Burst of Fast Transient voltage (positive and negative) is applied to  $V_{DD}$  and  $V_{SS}$  through a 100pF capacitor, until a functional disturbance occurs. This test conforms with the IEC 1000-4-4 standard.

A device reset allows normal operations to be resumed. The test results are given in the table below based on the EMS levels and classes defined in application note AN1709.

#### 13.7.1.1 Designing hardened software to avoid noise problems

EMC characterization and optimization are performed at component level with a typical applica-

tion environment and simplified MCU software. It should be noted that good EMC performance is highly dependent on the user application and the software in particular.

Therefore it is recommended that the user applies EMC software optimization and prequalification tests in relation with the EMC level requested for his application.

#### Software recommendations:

The software flowchart must include the management of runaway conditions such as:

- Corrupted program counter
- Unexpected reset
- Critical Data corruption (control registers...)

#### Prequalification trials:

Most of the common failures (unexpected reset and program counter corruption) can be reproduced by manually forcing a low state on the RESET pin or the Oscillator pins for 1 second.

To complete these trials, ESD stress can be applied directly on the device, over the range of specification values. When unexpected behaviour is detected, the software can be hardened to prevent unrecoverable errors occurring (see application note AN1015).

| Symbol     | Parameter  | Conditions  | Level/Class |
|------------|--|---|-------------|
| $V_{FESD}$ | Voltage limits to be applied on any I/O pin to induce a functional disturbance   | $V_{DD}=5V$ , $T_A=+25^\circ C$ , $f_{OSC}=8MHz$ conforms to IEC 1000-4-2 | 2B          |
| $V_{FFTB}$ | Fast transient voltage burst limits to be applied through 100pF on $V_{DD}$ and $V_{SS}$ pins to induce a functional disturbance | $V_{DD}=5V$ , $T_A=+25^\circ C$ , $f_{OSC}=8MHz$ conforms to IEC 1000-4-4 | 3B          |

### 13.7.2 Electro Magnetic Interference (EMI)

Based on a simple application running on the product (toggling 2 LEDs through the I/O ports), the product is monitored in terms of emission. This emission test is in line with the norm SAE J 1752/3 which specifies the board and the loading of each pin.

| Symbol    | Parameter  | Conditions   | Monitored Frequency Band | Max vs. [ $f_{OSC}/f_{CPU}$ ] |         | Unit       |
|-----------|------------|--|--------------------------|-------------------------------|---------|------------|
|           |            |  |                          | 8/4MHz                        | 16/8MHz |            |
| $S_{EMI}$ | Peak level | $V_{DD}=5V$ , $T_A=+25^\circ C$ , SO20 package, conforming to SAE J 1752/3 | 0.1MHz to 30MHz          | 15                            | 21      | dB $\mu$ V |
|           |            |  | 30MHz to 130MHz          | 22                            | 29      |            |
|           |            |  | 130MHz to 1GHz           | 17                            | 22      |            |
|           |            |  | SAE EMI Level            | 3.5                           | 3.5     | -          |

#### Note:

1. Data based on characterization results, not tested in production.

**EMC CHARACTERISTICS (Cont'd)**

**13.7.3 Absolute Maximum Ratings (Electrical Sensitivity)**

Based on two different tests (ESD and LU) using specific measurement methods, the product is stressed in order to determine its performance in terms of electrical sensitivity. For more details, refer to the application note AN1181.

**13.7.3.1 Electro-Static Discharge (ESD)**

Electro-Static Discharges (a positive then a negative pulse separated by 1 second) are applied to the pins of each sample according to each pin combination. The sample size depends on the number of supply pins in the device (3 parts\*(n+1) supply pin). Two models can be simulated: Human Body Model and Machine Model. This test conforms to the JESD22-A114A/A115A standard.

**Absolute Maximum Ratings**

| Symbol                | Ratings   | Conditions            | Maximum value <sup>1)</sup> | Unit |
|-----------------------|---|-----------------------|-----------------------------|------|
| V <sub>ESD(HBM)</sub> | Electro-static discharge voltage (Human Body Model) | T <sub>A</sub> =+25°C | 8000                        | V    |
| V <sub>ESD(MM)</sub>  | Electro-static discharge voltage (Machine Model)    | T <sub>A</sub> =+25°C | 400                         |      |

**Note:**

- 1. Data based on characterization results, not tested in production.

**13.7.3.2 Static Latch-Up**

- **LU:** 3 complementary static tests are required on 6 parts to assess the latch-up performance. A supply overvoltage (applied to each power supply pin) and a current injection (applied to

each input, output and configurable I/O pin) are performed on each sample. This test conforms to the EIA/JESD 78 IC latch-up standard. For more details, refer to the application note AN1181.

**Electrical Sensitivities**

| Symbol | Parameter             | Conditions            | Class |
|--------|-----------------------|-----------------------|-------|
| LU     | Static latch-up class | T <sub>A</sub> =+25°C | A     |
|        |                       | T <sub>A</sub> =+85°C | A     |



## 13.8 I/O PORT PIN CHARACTERISTICS

### 13.8.1 General Characteristics

Subject to general operating conditions for  $V_{DD}$ ,  $f_{OSC}$ , and  $T_A$  unless otherwise specified.

| Symbol          | Parameter   | Conditions                          | Min                 | Typ | Max                 | Unit       |
|-----------------|---|-------------------------------------|---------------------|-----|---------------------|------------|
| $V_{IL}$        | Input low level voltage   |                                     | $V_{SS} - 0.3$      |     | $0.3 \times V_{DD}$ | V          |
| $V_{IH}$        | Input high level voltage  |                                     | $0.7 \times V_{DD}$ |     | $V_{DD} + 0.3$      |            |
| $V_{hys}$       | Schmitt trigger voltage hysteresis <sup>1)</sup>                            |                                     |                     | 400 |                     | mV         |
| $I_L$           | Input leakage current   | $V_{SS} \leq V_{IN} \leq V_{DD}$    |                     |     | $\pm 1$             | $\mu A$    |
| $I_S$           | Static current consumption induced by each floating input pin <sup>2)</sup> | Floating input mode                 |                     | 400 |                     |            |
| $R_{PU}$        | Weak pull-up equivalent resistor <sup>3)</sup>                              | $V_{IN} = V_{SS}$                   | 50                  | 120 | 250                 | k $\Omega$ |
|                 |   | $V_{DD} = 5V$<br>$V_{DD} = 3V$      |                     | 160 |                     |            |
| $C_{IO}$        | I/O pin capacitance   |                                     |                     | 5   |                     | pF         |
| $t_{f(I/O)out}$ | Output high to low level fall time <sup>1)</sup>                            | $C_L = 50pF$<br>Between 10% and 90% |                     | 25  |                     | ns         |
| $t_{r(I/O)out}$ | Output low to high level rise time <sup>1)</sup>                            |                                     |                     | 25  |                     |            |
| $t_{w(IT)in}$   | External interrupt pulse time <sup>4)</sup>                                 |                                     | 1                   |     |                     | $t_{CPU}$  |

#### Notes:

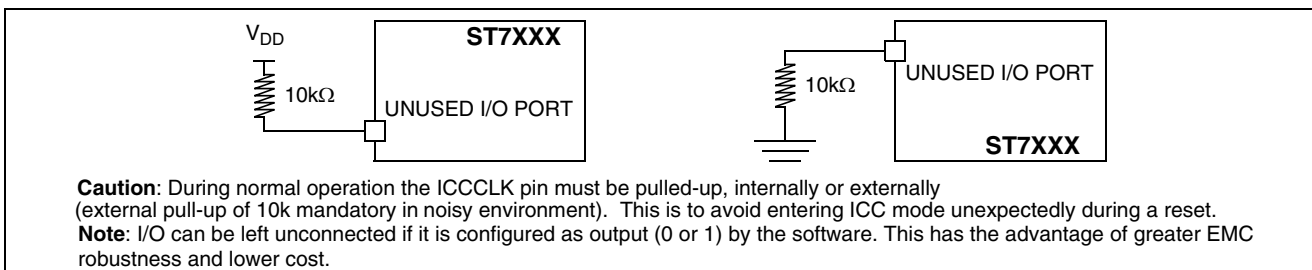
1. Data based on validation/design results.

2. Configuration not recommended, all unused pins must be kept at a fixed voltage: using the output mode of the I/O for example or an external pull-up or pull-down resistor (see Figure 80). Static peak current value taken at a fixed  $V_{IN}$  value, based on design simulation and technology characteristics, not tested in production. This value depends on  $V_{DD}$  and temperature values.

3. The  $R_{PU}$  pull-up equivalent resistor is based on a resistive transistor.

4. To generate an external interrupt, a minimum pulse width has to be applied on an I/O port pin configured as an external interrupt source.

**Figure 80. Two typical Applications with unused I/O Pin**



I/O PORT PIN CHARACTERISTICS (Cont'd)

13.8.2 Output Driving Current

Subject to general operating conditions for  $V_{DD}$ ,  $f_{CPU}$ , and  $T_A$  unless otherwise specified.

| Symbol   | Parameter   | Conditions                             | Min   | Max  | Unit                                 |  |
|--|---|--|---|--|--------------------------------------|--|
| $V_{OL}^{1)}$  | Output low level voltage for a standard I/O pin when 8 pins are sunk at same time (see <a href="#">Figure 83</a> )  | $I_{IO}=+5mA$ $T_A \leq 125^\circ C$   |   | 1.0  | V                                    |  |
|  |   | $I_{IO}=+2mA$ $T_A \leq 125^\circ C$   |   | 0.4  |                                      |  |
|  | Output low level voltage for a high sink I/O pin when 4 pins are sunk at same time (see <a href="#">Figure 89</a> ) | $I_{IO}=+20mA, T_A \leq 125^\circ C$   |   | 1.3  |                                      |  |
|  |   | $I_{IO}=+8mA$ $T_A \leq 125^\circ C$   |   | 0.75   |                                      |  |
| $V_{OH}^{2)}$  | Output high level voltage for an I/O pin when 4 pins are sourced at same time (see <a href="#">Figure 95</a> )      | $I_{IO}=-5mA$ , $T_A \leq 125^\circ C$ | $V_{DD}-1.5$  |  |                                      |  |
|  |   | $I_{IO}=-2mA$ $T_A \leq 125^\circ C$   | $V_{DD}-0.8$  |  |                                      |  |
| $V_{OL}^{1)3)}$  | Output low level voltage for a standard I/O pin when 8 pins are sunk at same time (see <a href="#">Figure 82</a> )  | $V_{DD}=5V$                            | $I_{IO}=+2mA$ $T_A \leq 125^\circ C$  |  |                                      | 0.5  |
|  |   |  |   | Output low level voltage for a high sink I/O pin when 4 pins are sunk at same time |                                      | $I_{IO}=+8mA$ $T_A \leq 125^\circ C$   |
| $V_{OH}^{2)3)}$  | Output high level voltage for an I/O pin when 4 pins are sourced at same time ( <a href="#">Figure 94</a> )         |  | $V_{DD}=3.3V$   |  | $I_{IO}=-2mA$ $T_A \leq 125^\circ C$ |  |
|  |   |  |   | $V_{OL}^{1)3)}$  |                                      | Output low level voltage for a standard I/O pin when 8 pins are sunk at same time (see <a href="#">Figure 87</a> ) |
| Output low level voltage for a high sink I/O pin when 4 pins are sunk at same time | $I_{IO}=+8mA$ $T_A \leq 125^\circ C$  |  | 0.6   |  |                                      |  |
|  |   | $V_{OH}^{2)3)}$                        | Output high level voltage for an I/O pin when 4 pins are sourced at same time (see <a href="#">Figure 101</a> ) | $I_{IO}=-2mA$ $T_A \leq 125^\circ C$   | $V_{DD}-0.9$                         |  |

Notes:

1. The  $I_{IO}$  current sunk must always respect the absolute maximum rating specified in [Section 13.2.2](#) and the sum of  $I_{IO}$  (I/O ports and control pins) must not exceed  $I_{VSS}$ .
2. The  $I_{IO}$  current sourced must always respect the absolute maximum rating specified in [Section 13.2.2](#) and the sum of  $I_{IO}$  (I/O ports and control pins) must not exceed  $I_{VDD}$ .
3. Not tested in production, based on characterization results.

I/O PORT PIN CHARACTERISTICS (Cont'd)

Figure 81. Typical  $V_{OL}$  at  $V_{DD}=2.7V$  (standard)

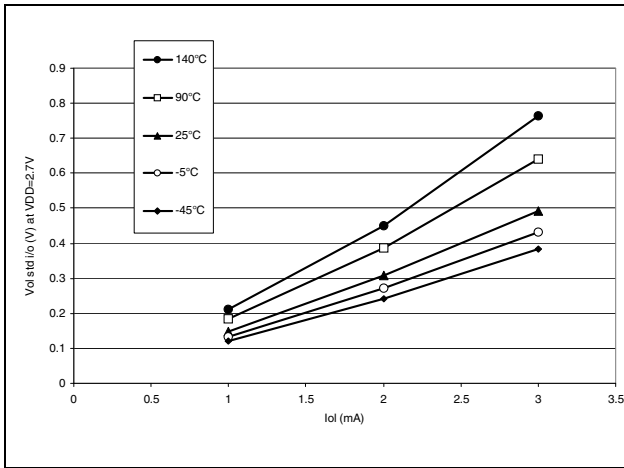


Figure 84. Typical  $V_{OL}$  at  $V_{DD}=2.7V$  (Port C)

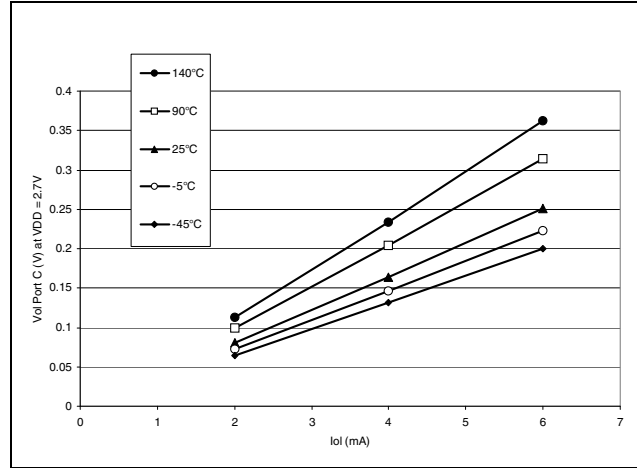


Figure 82. Typical  $V_{OL}$  at  $V_{DD}=3.3V$  (standard)

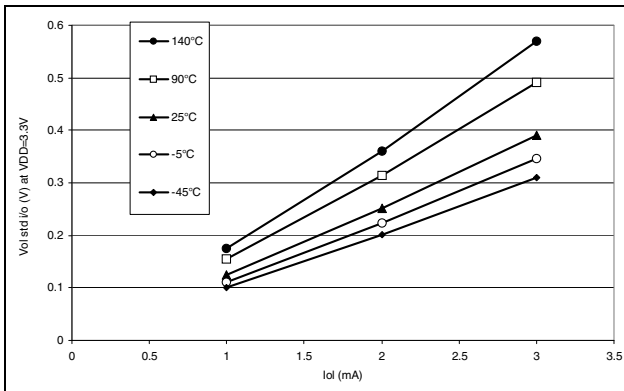


Figure 85. Typical  $V_{OL}$  at  $V_{DD}=3.3V$  (Port C)

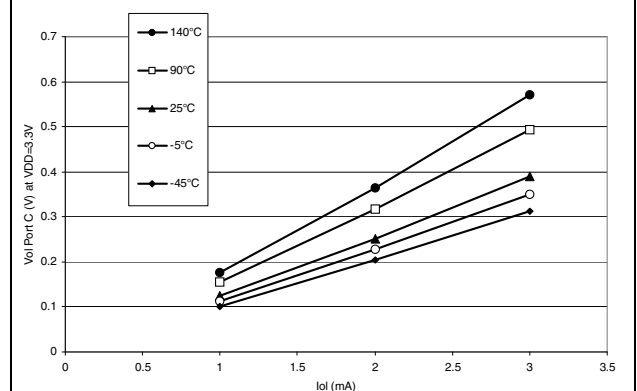


Figure 83. Typical  $V_{OL}$  at  $V_{DD}=5V$  (standard)

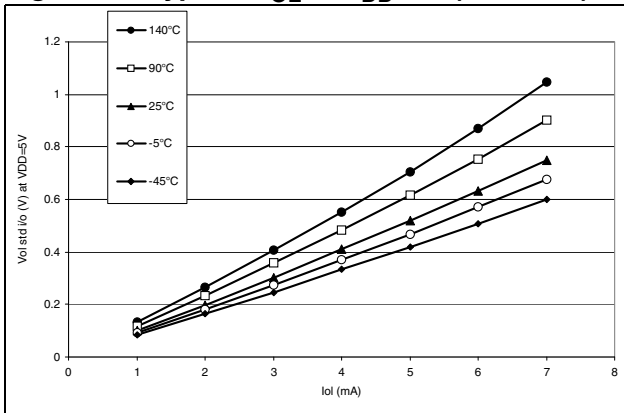
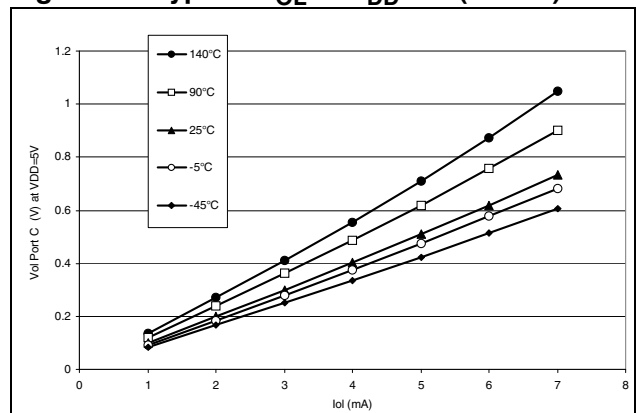


Figure 86. Typical  $V_{OL}$  at  $V_{DD}=5V$  (Port C)



I/O PORT PIN CHARACTERISTICS (Cont'd)

Figure 87. Typical  $V_{OL}$  at  $V_{DD}=2.7V$  (High-sink)

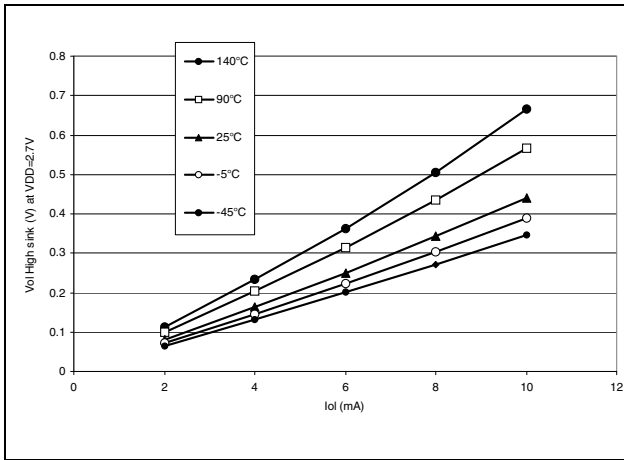


Figure 88. Typical  $V_{OL}$  at  $V_{DD}=3.3V$  (High-sink)

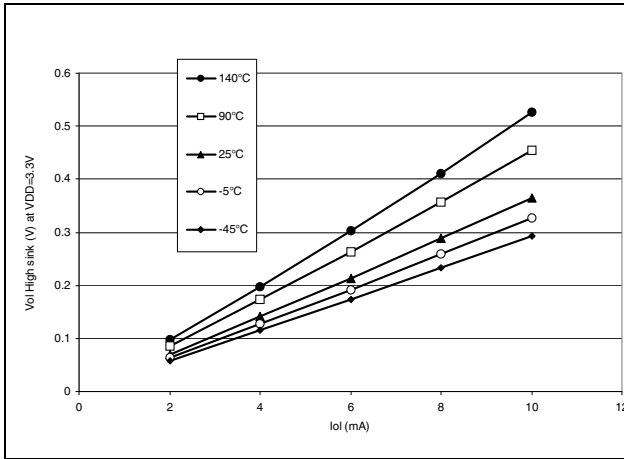


Figure 89. Typical  $V_{OL}$  at  $V_{DD}=5V$  (High-sink)

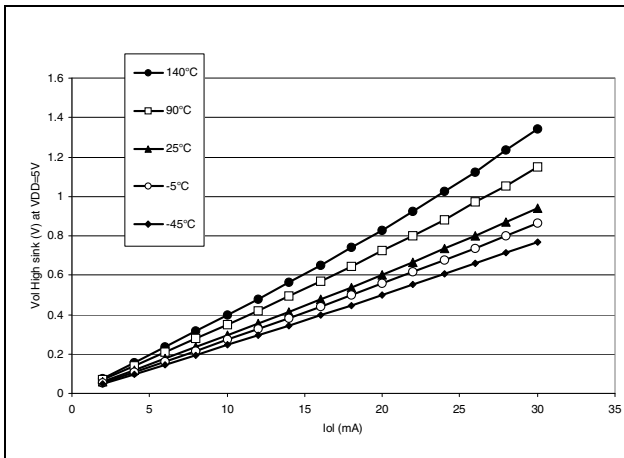


Figure 90. Typical  $V_{OL}$  vs.  $V_{DD}$  (standard I/Os)

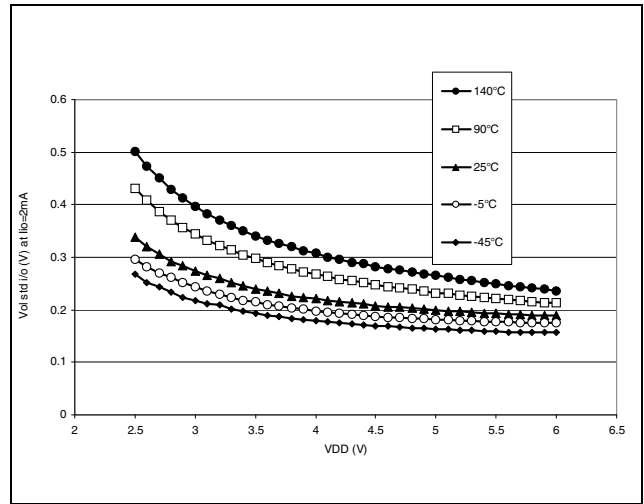


Figure 91. Typical  $V_{OL}$  vs  $V_{DD}$  (High-sink)

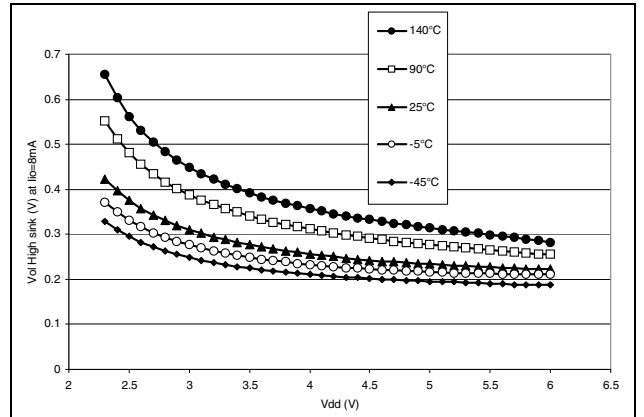
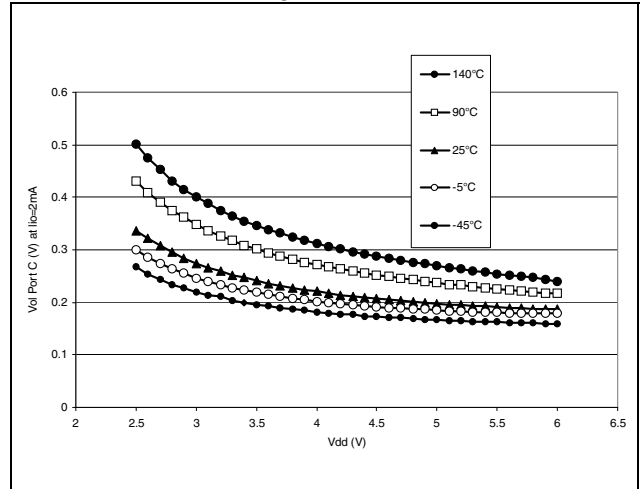


Figure 92. Typical  $V_{OL}$  vs  $V_{DD}$  (Port C)



I/O PORT PIN CHARACTERISTICS (Cont'd)

Figure 93. Typical  $V_{DD}-V_{OH}$  at  $V_{DD}=2.7V$

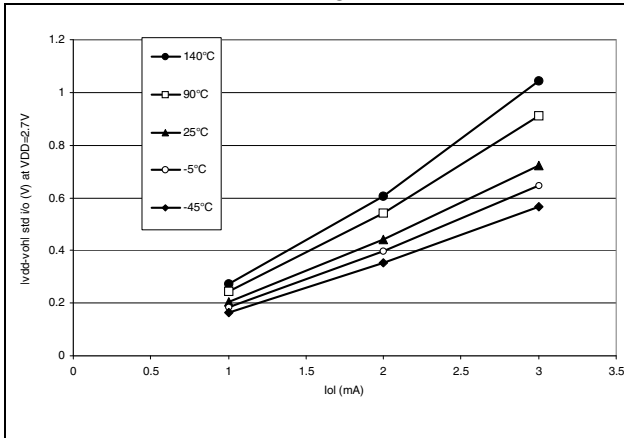


Figure 96. Typical  $V_{DD}-V_{OH}$  at  $V_{DD}=2.7V$  (HS)

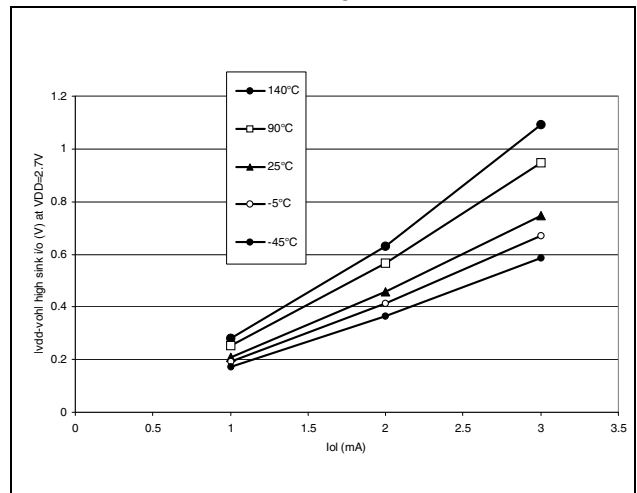


Figure 94. Typical  $V_{DD}-V_{OH}$  at  $V_{DD}=3.3V$

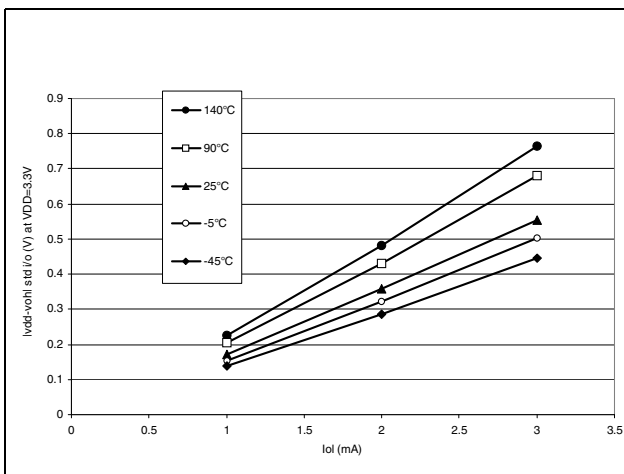


Figure 97. Typical  $V_{DD}-V_{OH}$  at  $V_{DD}=3.3V$  (HS)

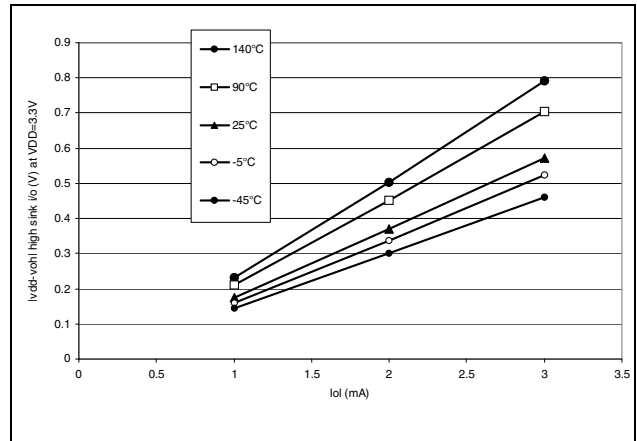


Figure 95. Typical  $V_{DD}-V_{OH}$  at  $V_{DD}=5V$

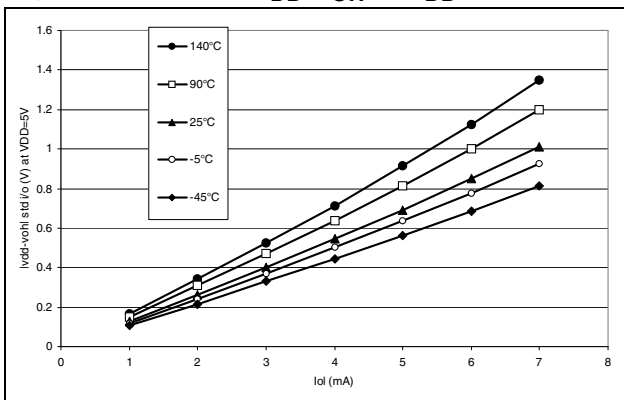
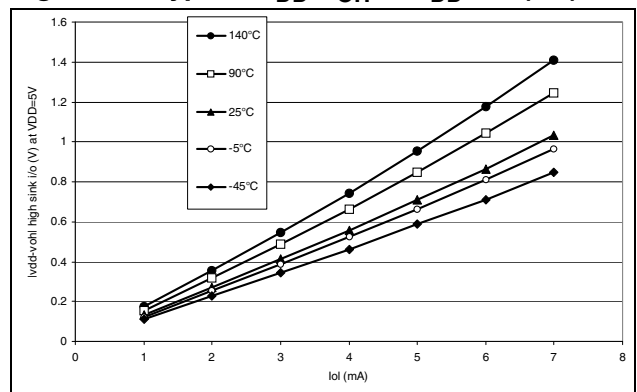


Figure 98. Typical  $V_{DD}-V_{OH}$  at  $V_{DD}=5V$  (HS)



I/O PORT PIN CHARACTERISTICS (Cont'd)

Figure 99. Typical  $V_{DD}-V_{OH}$  at  $V_{DD}=2.7V$  (Port C)

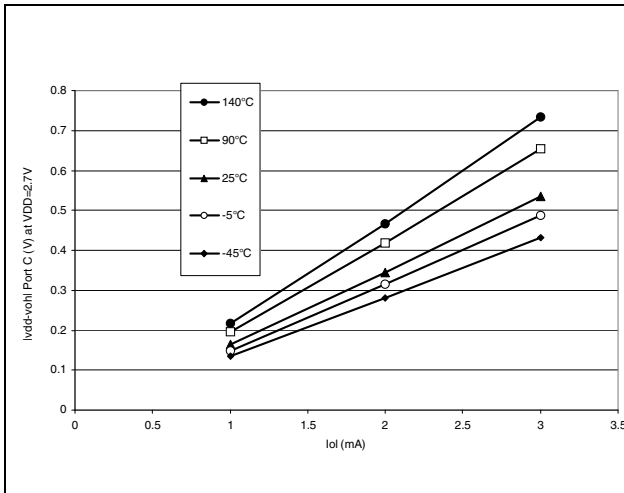


Figure 100. Typical  $V_{DD}-V_{OH}$  at  $V_{DD}=3.3V$  (Port C)

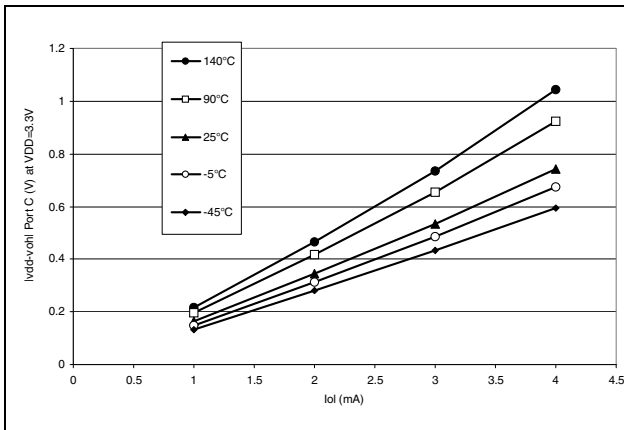


Figure 101. Typical  $V_{DD}-V_{OH}$  at  $V_{DD}=5V$  (Port C)

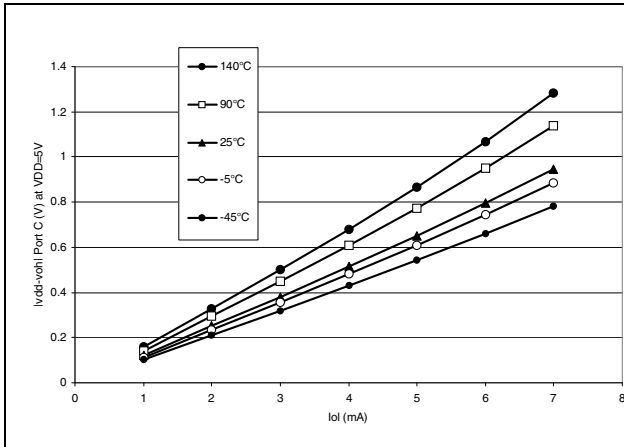


Figure 102. Typical  $V_{DD}-V_{OH}$  vs.  $V_{DD}$  (Standard)

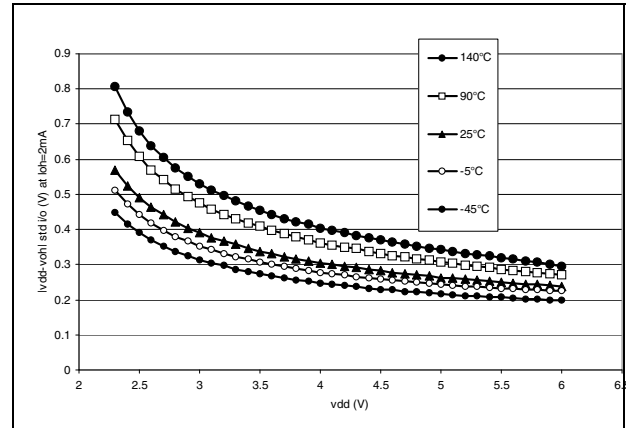


Figure 103. Typical  $V_{DD}-V_{OH}$  vs.  $V_{DD}$  (High Sink)

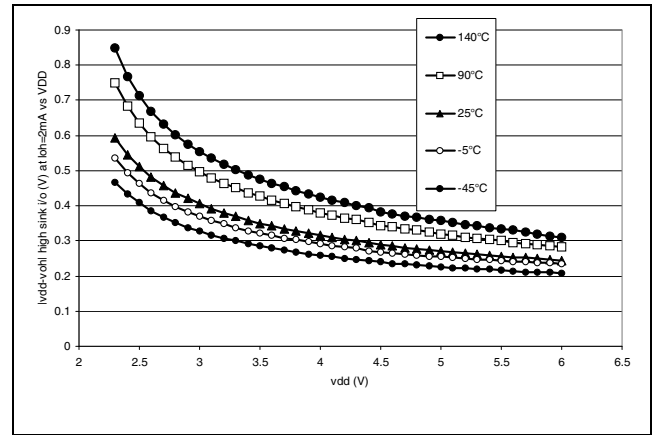
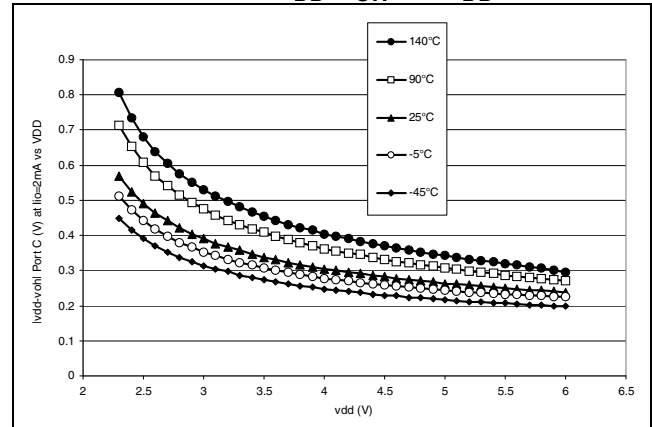


Figure 104. Typical  $V_{DD}-V_{OH}$  vs.  $V_{DD}$  (PORT C)



## 13.9 CONTROL PIN CHARACTERISTICS

### 13.9.1 Asynchronous $\overline{\text{RESET}}$ Pin

$T_A = -40^\circ\text{C}$  to  $125^\circ\text{C}$ , unless otherwise specified

| Symbol                         | Parameter  | Conditions                       | Min  | Typ | Max                 | Unit          |            |
|--------------------------------|--|----------------------------------|--|-----|---------------------|---------------|------------|
| $V_{IL}$                       | Input low level voltage <sup>1)</sup>            |                                  | $V_{SS} - 0.3$                                   |     | $0.3 \times V_{DD}$ | V             |            |
| $V_{IH}$                       | Input high level voltage <sup>1)</sup>           |                                  | $0.7 \times V_{DD}$                              |     | $V_{DD} + 0.3$      |               |            |
| $V_{hys}$                      | Schmitt trigger voltage hysteresis <sup>1)</sup> |                                  |  | 2   |                     | V             |            |
| $V_{OL}$                       | Output low level voltage <sup>1)2)</sup>         | $V_{DD}=5\text{V}$               | $I_{IO}=+5\text{mA}$ $T_A \leq 85^\circ\text{C}$ | 0.5 | 1.0                 | V             |            |
|                                |  |                                  | $I_{IO}=+2\text{mA}$ $T_A \leq 85^\circ\text{C}$ | 0.2 | 0.4                 |               |            |
| $R_{ON}$                       | Pull-up equivalent resistor <sup>3)</sup>        | $V_{DD}=5\text{V}$               |  | 20  | 40                  | 80            | k $\Omega$ |
|                                |  | $V_{DD}=3\text{V}$ <sup>1)</sup> |  | 40  | 70                  | 120           |            |
| $t_{w(\text{RSTL})\text{out}}$ | Generated reset pulse duration                   | Internal reset sources           |  | 30  |                     | $\mu\text{s}$ |            |
| $t_{h(\text{RSTL})\text{in}}$  | External reset pulse hold time <sup>4)</sup>     |                                  | 20   |     |                     | $\mu\text{s}$ |            |
| $t_{g(\text{RSTL})\text{in}}$  | Filtered glitch duration                         |                                  |  | 200 |                     | ns            |            |

#### Notes:

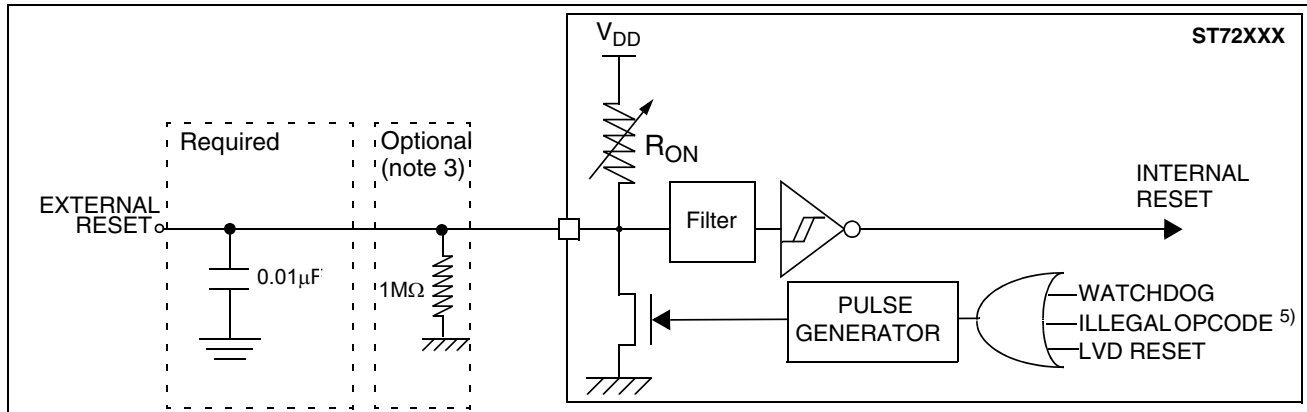
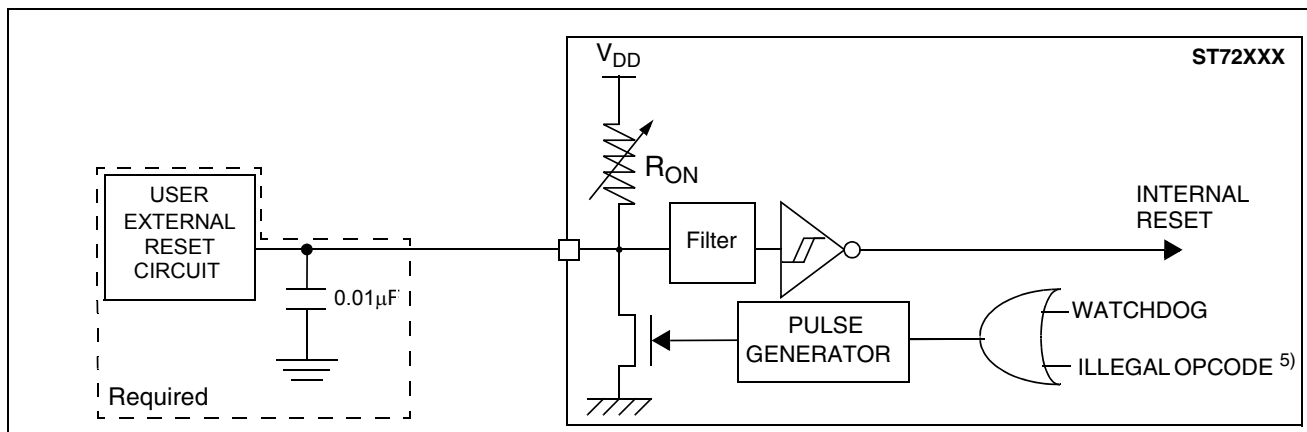
1. Data based on characterization results, not tested in production.

2. The  $I_{IO}$  current sunk must always respect the absolute maximum rating specified in [Section 13.2.2](#) and the sum of  $I_{IO}$  (I/O ports and control pins) must not exceed  $I_{VSS}$ .

3. The  $R_{ON}$  pull-up equivalent resistor is based on a resistive transistor. Specified for voltages on  $\overline{\text{RESET}}$  pin between  $V_{IL\text{max}}$  and  $V_{DD}$ .

4. To guarantee the reset of the device, a minimum pulse has to be applied to the  $\overline{\text{RESET}}$  pin. All short pulses applied on  $\overline{\text{RESET}}$  pin with a duration below  $t_{h(\text{RSTL})\text{in}}$  can be ignored.

## CONTROL PIN CHARACTERISTICS (Cont'd)

Figure 105.  $\overline{\text{RESET}}$  pin protection when LVD is enabled.<sup>1)2)3)4)</sup>Figure 106.  $\overline{\text{RESET}}$  pin protection when LVD is disabled.<sup>1)</sup>**Note 1:**

- The reset network protects the device against parasitic resets.
- The output of the external reset circuit must have an open-drain output to drive the ST7 reset pad. Otherwise the device can be damaged when the ST7 generates an internal reset (LVD or watchdog).
- Whatever the reset source is (internal or external), the user must ensure that the level on the  $\overline{\text{RESET}}$  pin can go below the  $V_{IL}$  max. level specified in [section 13.9.1 on page 135](#). Otherwise the reset will not be taken into account internally.
- Because the reset circuit is designed to allow the internal RESET to be output in the  $\overline{\text{RESET}}$  pin, the user must ensure that the current sunk on the RESET pin is less than the absolute maximum value specified for  $I_{INJ}(\text{RESET})$  in [section 13.2.2 on page 111](#).

**Note 2:** When the LVD is enabled, it is recommended not to connect a pull-up resistor or capacitor. A 10nF pull-down capacitor is required to filter noise on the reset line.

**Note 3:** In case a capacitive power supply is used, it is recommended to connect a 1M $\Omega$  pull-down resistor to the  $\overline{\text{RESET}}$  pin to discharge any residual voltage induced by the capacitive effect of the power supply (this will add 5 $\mu$ A to the power consumption of the MCU).

**Note 4:** Tips when using the LVD:

1. Check that all recommendations related to ICCCLK and reset circuit have been applied (see caution in Table 1 on page 7 and notes above)
2. Check that the power supply is properly decoupled (100nF + 10 $\mu$ F close to the MCU). Refer to AN1709 and AN2017. If this cannot be done, it is recommended to put a 100nF + 1M $\Omega$  pull-down on the RESET pin.
3. The capacitors connected on the RESET pin and also the power supply are key to avoid any start-up marginality. In most cases, steps 1 and 2 above are sufficient for a robust solution. Otherwise: replace 10nF pull-down on the RESET pin with a 5 $\mu$ F to 20 $\mu$ F capacitor.”

**Note 5:** Please refer to “Illegal Opcode Reset” on page 107 for more details on illegal opcode reset conditions.



13.10 COMMUNICATION INTERFACE CHARACTERISTICS

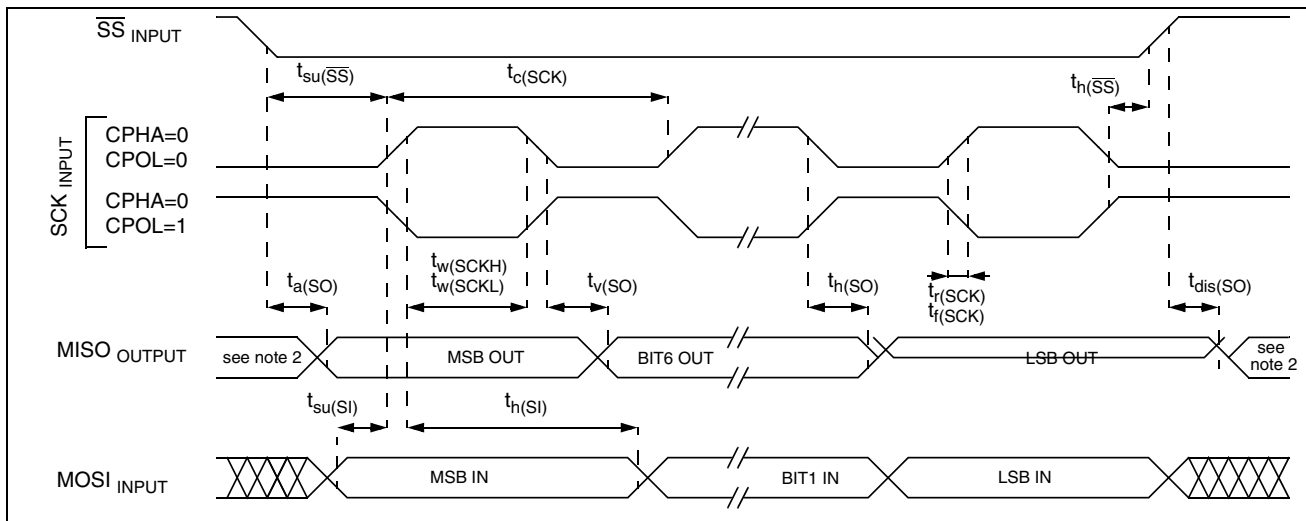
13.10.1 SPI - Serial Peripheral Interface

Subject to general operating conditions for  $V_{DD}$ ,  $f_{OSC}$ , and  $T_A$  unless otherwise specified.

Refer to I/O port characteristics for more details on the input/output alternate function characteristics ( $\overline{SS}$ , SCK, MOSI, MISO).

| Symbol   | Parameter                                | Conditions                 | Min                          | Max              | Unit |
|--|--|----------------------------|------------------------------|------------------|------|
| $f_{SCK}$<br>$1/t_{c(SCK)}$                                | SPI clock frequency                      | Master<br>$f_{CPU}=8MHz$   | $f_{CPU}/128$<br>0.0625      | $f_{CPU}/4$<br>2 | MHz  |
|  |  | Slave<br>$f_{CPU}=8MHz$    | 0                            | $f_{CPU}/2$<br>4 |      |
| $t_{r(SCK)}$<br>$t_{f(SCK)}$                               | SPI clock rise and fall time             |                            | see I/O port pin description |                  |      |
| $t_{su}(\overline{SS})$ <sup>1)</sup>                      | $\overline{SS}$ setup time <sup>4)</sup> | Slave                      | $(4 \times T_{CPU}) + 50$    |                  | ns   |
| $t_{h}(\overline{SS})$ <sup>1)</sup>                       | $\overline{SS}$ hold time                | Slave                      | 120                          |                  |      |
| $t_{w(SCKH)}$ <sup>1)</sup><br>$t_{w(SCKL)}$ <sup>1)</sup> | SCK high and low time                    | Master                     | 100                          |                  |      |
|  |  | Slave                      | 90                           |                  |      |
| $t_{su(MI)}$ <sup>1)</sup><br>$t_{su(SI)}$ <sup>1)</sup>   | Data input setup time                    | Master                     | 100                          |                  |      |
|  |  | Slave                      | 100                          |                  |      |
| $t_{h(MI)}$ <sup>1)</sup><br>$t_{h(SI)}$ <sup>1)</sup>     | Data input hold time                     | Master                     | 100                          |                  |      |
|  |  | Slave                      | 100                          |                  |      |
| $t_{a(SO)}$ <sup>1)</sup>                                  | Data output access time                  | Slave                      | 0                            | 120              |      |
| $t_{dis(SO)}$ <sup>1)</sup>                                | Data output disable time                 | Slave                      |                              | 240              |      |
| $t_{v(SO)}$ <sup>1)</sup>                                  | Data output valid time                   | Slave (after enable edge)  |                              | 120              |      |
| $t_{h(SO)}$ <sup>1)</sup>                                  | Data output hold time                    |                            | 0                            |                  |      |
| $t_{v(MO)}$ <sup>1)</sup>                                  | Data output valid time                   | Master (after enable edge) |                              | 120              |      |
| $t_{h(MO)}$ <sup>1)</sup>                                  | Data output hold time                    |                            | 0                            |                  |      |

Figure 107. SPI Slave Timing Diagram with CPHA=0<sup>3)</sup>



Notes:

1. Data based on design simulation, not tested in production.
2. When no communication is on-going the data output line of the SPI (MOSI in master mode, MISO in slave mode) has its alternate function capability released. In this case, the pin status depends on the I/O port configuration.
3. Measurement points are done at CMOS levels:  $0.3 \times V_{DD}$  and  $0.7 \times V_{DD}$ .
4. Depends on  $f_{CPU}$ . For example, if  $f_{CPU}=8MHz$ , then  $T_{CPU} = 1/f_{CPU} = 125ns$  and  $t_{su}(\overline{SS})=550ns$

COMMUNICATION INTERFACE CHARACTERISTICS (Cont'd)

Figure 108. SPI Slave Timing Diagram with CPHA=1<sup>1)</sup>

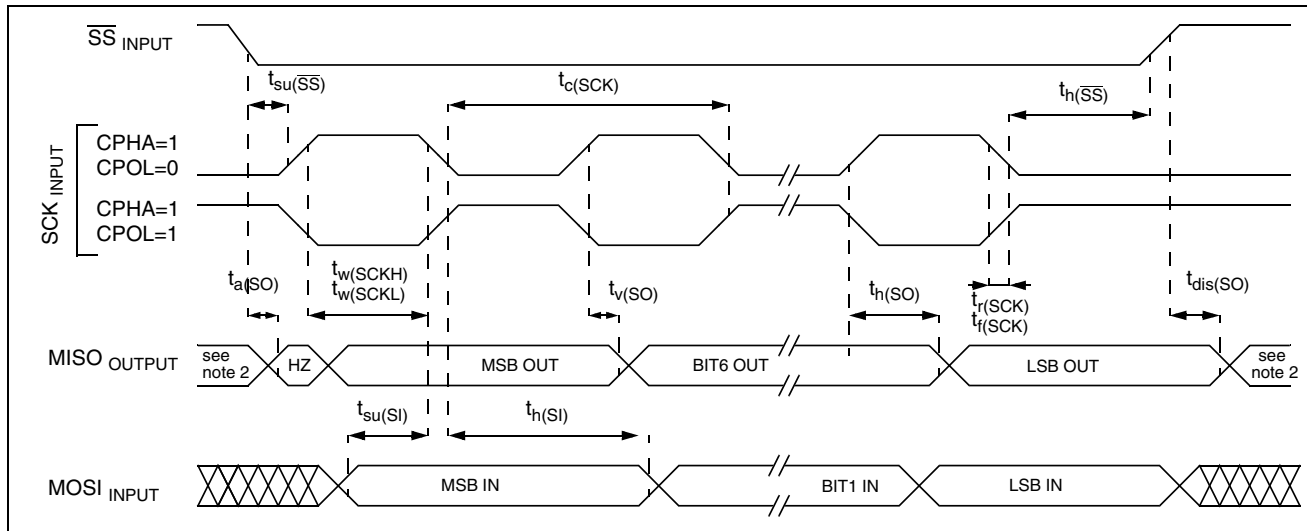
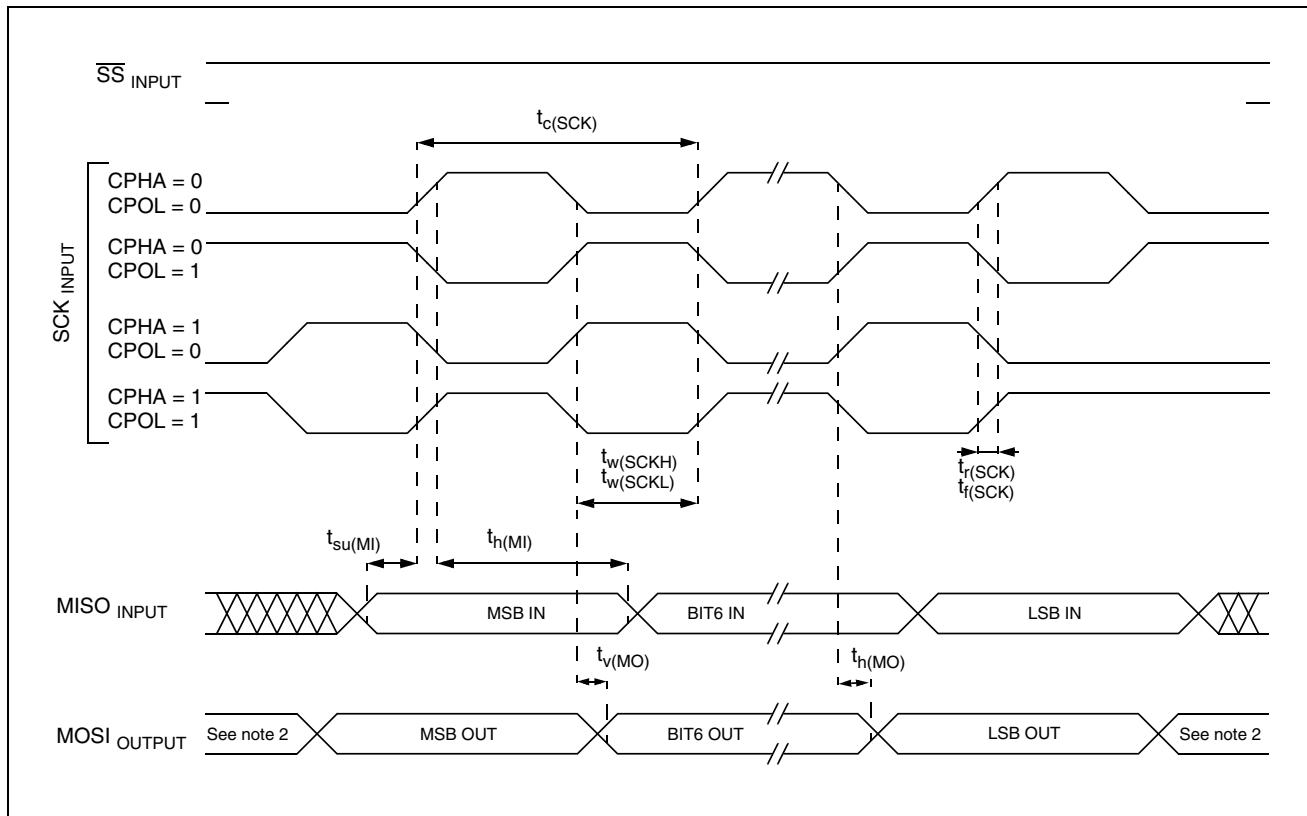


Figure 109. SPI Master Timing Diagram<sup>1)</sup>



Notes:

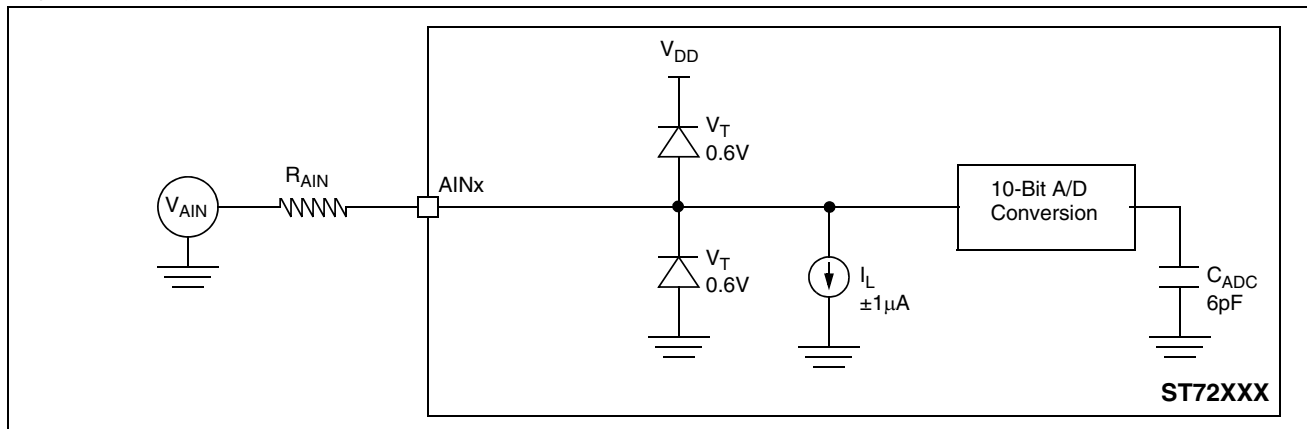
1. Measurement points are done at CMOS levels:  $0.3 \times V_{DD}$  and  $0.7 \times V_{DD}$ .
2. When no communication is on-going the data output line of the SPI (MOSI in master mode, MISO in slave mode) has its alternate function capability released. In this case, the pin status depends of the I/O port configuration.

### 13.11 10-BIT ADC CHARACTERISTICS

Subject to general operating condition for  $V_{DD}$ ,  $f_{OSC}$ , and  $T_A$  unless otherwise specified.

| Symbol     | Parameter   | Conditions                                    | Min       | Typ <sup>1)</sup> | Max       | Unit        |
|------------|---|---|-----------|-------------------|-----------|-------------|
| $f_{ADC}$  | ADC clock frequency                                       |   |           |                   | 4         | MHz         |
| $V_{AIN}$  | Conversion voltage range <sup>2)</sup>                    |   | $V_{SSA}$ |                   | $V_{DDA}$ | V           |
| $R_{AIN}$  | External input resistor                                   |   |           |                   | $10^3$    | k $\Omega$  |
| $C_{ADC}$  | Internal sample and hold capacitor                        |   |           | 6                 |           | pF          |
| $t_{STAB}$ | Stabilization time after ADC enable                       |   |           | 0 <sup>4)</sup>   |           | $\mu$ s     |
| $t_{ADC}$  | Conversion time (Sample+Hold)                             | $f_{CPU}=8\text{MHz}$ , $f_{ADC}=4\text{MHz}$ |           | 3.5               |           |             |
|            | - Sample capacitor loading time<br>- Hold conversion time |   |           | 4<br>10           |           | $1/f_{ADC}$ |
| $I_{ADC}$  | Analog Part   |   |           | 1                 |           | mA          |
|            | Digital Part  |   |           | 0.2               |           |             |

**Figure 110. Typical Application with ADC**



**Notes:**

1. Unless otherwise specified, typical data are based on  $T_A=25^\circ\text{C}$  and  $V_{DD}-V_{SS}=5\text{V}$ . They are given only as design guidelines and are not tested.
2. When  $V_{DDA}$  and  $V_{SSA}$  pins are not available on the pinout, the ADC refers to  $V_{DD}$  and  $V_{SS}$ .
3. Any added external serial resistor will downgrade the ADC accuracy (especially for resistance greater than 10k $\Omega$ ). Data based on characterization results, not tested in production.
4. The stabilization time of the AD converter is masked by the first  $t_{LOAD}$ . The first conversion after the enable is then always valid.

**Related application notes:**

*Understanding and minimizing ADC conversion errors (AN1636)*

*Software techniques for compensating ST7 ADC errors (AN1711)*

ADC CHARACTERISTICS (Cont'd)

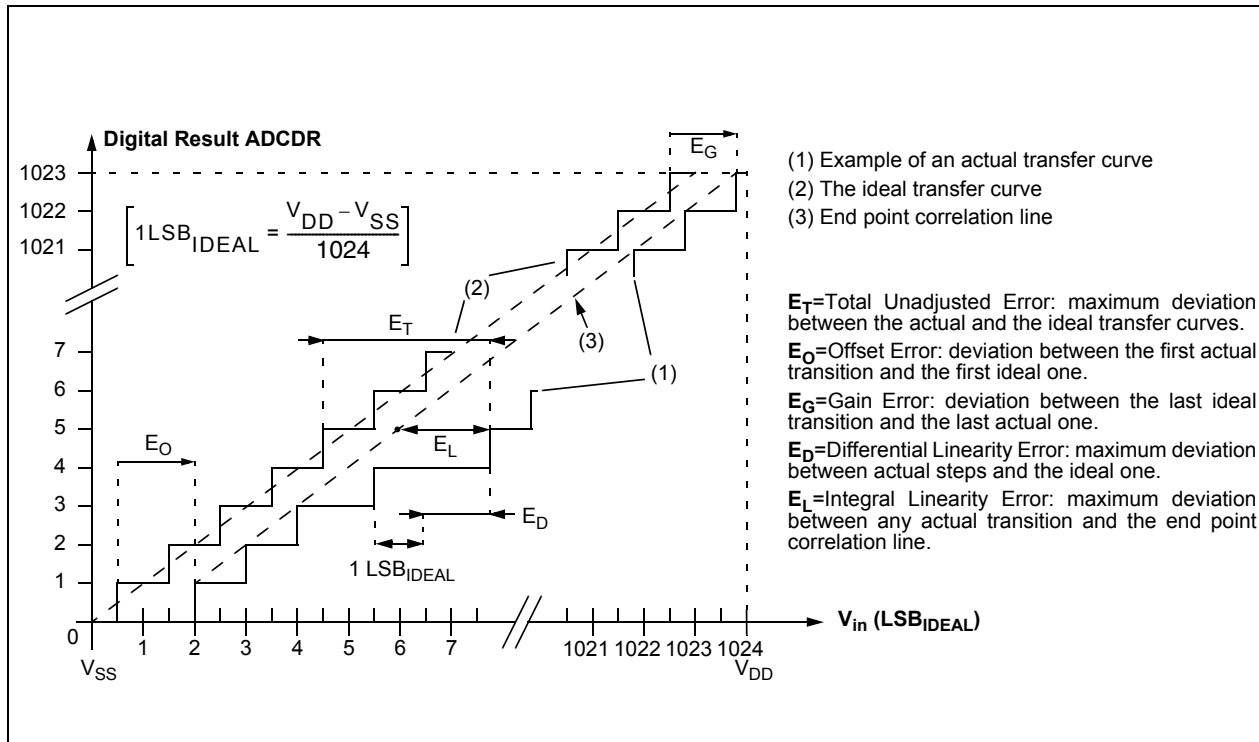
ADC Accuracy with  $V_{DD}=5.0V$

| Symbol | Parameter                                  | Conditions                   | Typ | Max             | Unit |
|--------|--|------------------------------|-----|-----------------|------|
| $E_T$  | Total unadjusted error                     | $f_{CPU}=8MHz, f_{ADC}=4MHz$ | 4   | 6 <sup>1)</sup> | LSB  |
| $E_O$  | Offset error                               |                              | 3   | 5 <sup>1)</sup> |      |
| $E_G$  | Gain Error                                 |                              | 0.5 | 4 <sup>1)</sup> |      |
| $E_D$  | Differential linearity error <sup>3)</sup> |                              | 1.5 | 3 <sup>2)</sup> |      |
| $E_L$  | Integral linearity error <sup>3)</sup>     |                              | 1.5 | 3 <sup>2)</sup> |      |

Notes:

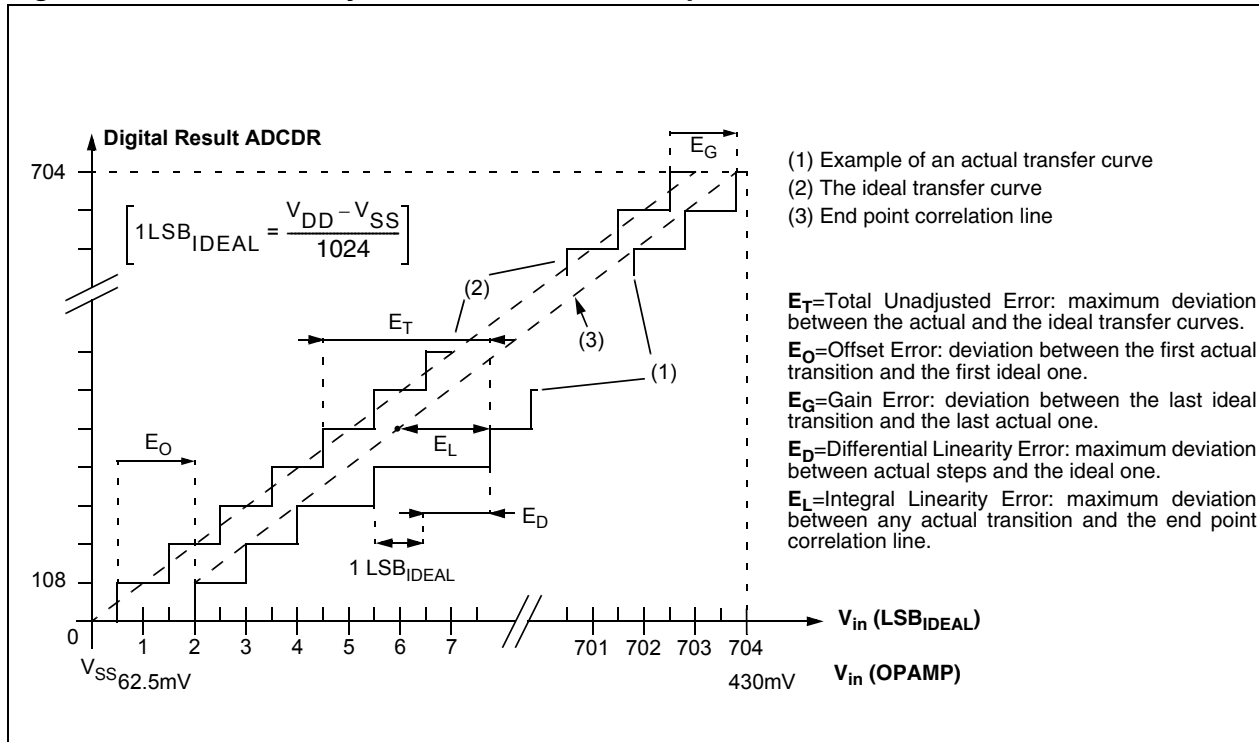
1. Data based on characterization results. Not tested in production.
2. Injecting negative current on any of the analog input pins significantly reduces the accuracy of any conversion being performed on any analog input.  
Analog pins can be protected against negative injection by adding a Schottky diode (pin to ground). Injecting negative current on digital input pins degrades ADC accuracy especially if performed on a pin close to the analog input pins. Any positive injection current within the limits specified for  $I_{INJ}(PIN)$  and  $\Sigma I_{INJ}(PIN)$  in Section 13.8 does not affect the ADC accuracy.
3. Data based on characterization results over the whole temperature range, monitored in production.

Figure 111. ADC Accuracy Characteristics with amplifier disabled



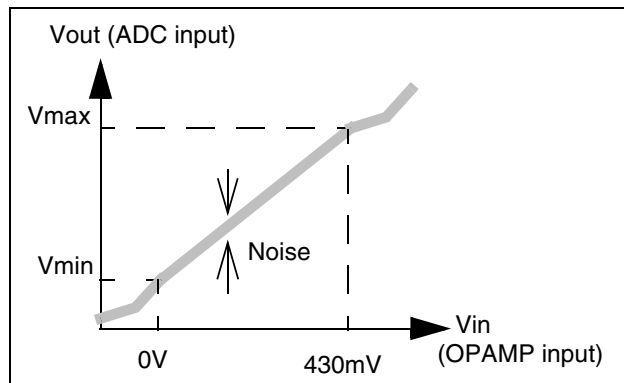
ADC CHARACTERISTICS (Cont'd)

Figure 112. ADC Accuracy Characteristics with amplifier enabled



Note:

1. When the AMPSEL bit in the ADCDRL register is set, it is mandatory that  $f_{ADC}$  be less than or equal to 2 MHz. (if  $f_{CPU}=8MHz$ . then SPEED=0, SLOW=1).



**ADC CHARACTERISTICS (Cont'd)**

| Symbol                            | Parameter                                     | Conditions                  | Min    | Typ  | Max | Unit |
|-----------------------------------|---|-----------------------------|--------|------|-----|------|
| V <sub>DD(AMP)</sub>              | Amplifier operating voltage                   |                             | 3.6    |      | 5.5 | V    |
| V <sub>IN</sub>                   | Amplifier input voltage <sup>4)</sup>         | V <sub>DD</sub> =3.6V       | 0      |      | 350 | mV   |
|                                   |   | V <sub>DD</sub> =5V         | 0      |      | 500 |      |
| V <sub>OFFSET</sub> <sup>1)</sup> | Amplifier output offset voltage <sup>5)</sup> | V <sub>DD</sub> =5V         |        | 200  |     | mV   |
| V <sub>STEP</sub> <sup>1)</sup>   | Step size for monotonicity <sup>3)</sup>      | V <sub>DD</sub> =3.6V       | 3.5    |      |     | mV   |
|                                   |   | V <sub>DD</sub> =5V         | 4.89   |      |     |      |
| Linearity <sup>1)</sup>           | Output Voltage Response                       |                             | Linear |      |     |      |
| Gain factor <sup>1)</sup>         | Amplified Analog input Gain <sup>2)</sup>     |                             |        | 8    |     |      |
| V <sub>max</sub> <sup>1)</sup>    | Output Linearity Max Voltage                  | V <sub>INmax</sub> = 430mV, |        | 3.65 |     | V    |
| V <sub>min</sub> <sup>1)</sup>    | Output Linearity Min Voltage                  | V <sub>DD</sub> =5V         |        | 200  |     | mV   |

**Notes:**

1. Data based on characterization results over the whole temperature range, not tested in production.
2. For precise conversion results it is recommended to calibrate the amplifier at the following two points:
  - offset at V<sub>INmin</sub> = 0V
  - gain at full scale (for example V<sub>IN</sub>=430mV)
3. Monotonicity guaranteed if V<sub>IN</sub> increases or decreases in steps of min. 5mV.
4. Please refer to the Application Note AN1830 for details of TE% vs Vin.
5. Refer to the offset variation in temperature below

**Amplifier output offset variation**

The offset is quite sensitive to temperature variations. In order to ensure a good reliability in measurements, the offset must be recalibrated periodically i.e. during power on or whenever the device is reset depending on the customer application and during temperature variation. The table below gives the typical offset variation over temperature:

| Typical Offset Variation (LSB) |     |     |     | UNIT |
|--------------------------------|-----|-----|-----|------|
| -45                            | -20 | +25 | +90 | °C   |
| -12                            | -7  | -   | +13 | LSB  |

### 13.12 ANALOG COMPARATOR CHARACTERISTICS

| Symbol               | Parameter                                       | Conditions | Min | Typ <sup>1)</sup> | Max              | Unit |
|----------------------|---|------------|-----|-------------------|------------------|------|
| V <sub>DDA</sub>     | Supply range                                    |            | 4.5 |                   | 5.5              | V    |
| V <sub>IN</sub>      | Comparator input voltage range                  |            | 0   |                   | V <sub>DDA</sub> | V    |
| Temp                 | Temperature range                               |            | -40 |                   | 125              | °C   |
| V <sub>offset</sub>  | Comparator offset error                         |            |     | 20                |                  | mV   |
| I <sub>DD(CMP)</sub> | Analog Comparator Consumption                   |            |     | 120               |                  | µA   |
|                      | Analog Comparator Consumption during power-down |            |     | 200               |                  | pA   |
| t <sub>propag</sub>  | Comparator propagation delay                    |            |     | 40                |                  | ns   |
| t <sub>startup</sub> | Startup filter duration                         |            |     | 500 <sup>2)</sup> |                  | ns   |
| t <sub>stab</sub>    | Stabilisation time                              |            |     | 500               |                  | ns   |

### 13.13 PROGRAMMABLE INTERNAL VOLTAGE REFERENCE CHARACTERISTICS

| Symbol                   | Parameter  | Conditions | Min | Typ <sup>1)</sup> | Max | Unit |
|--------------------------|--|------------|-----|-------------------|-----|------|
| V <sub>DDA</sub>         | Supply range   |            | 4   | 5                 | 5.5 | V    |
| Temp                     | Temperature range  |            | -40 | 27                | 125 | °C   |
| I <sub>DD(VOLTREF)</sub> | Internal Voltage Reference Consumption                   |            |     | 50                |     | µA   |
|                          | Internal Voltage Reference Consumption during power-down |            |     | 200               |     | pA   |
| t <sub>startup</sub>     | Startup duration   |            |     | 1 <sup>2)</sup>   |     | µs   |

### 13.14 CURRENT BIAS CHARACTERISTICS (for Comparator and Internal Voltage Reference)

| Symbol               | Parameter                          | Conditions | Min | Typ <sup>1)</sup> | Max | Unit |
|----------------------|------------------------------------|------------|-----|-------------------|-----|------|
| V <sub>DDA</sub>     | Supply range                       |            | 4.5 | 5                 | 5.5 | V    |
| Temp                 | Temperature range                  |            | -40 | 27                | 125 | °C   |
| IDD (Bias)           | Bias Consumption in run mode       |            |     | 50                |     | µA   |
|                      | Bias Consumption during power-down |            |     | 36                |     | pA   |
| t <sub>startup</sub> | Startup time                       |            |     | 1 <sup>2)</sup>   |     | µs   |

#### Notes:

1. Unless otherwise specified, typical data are based on T<sub>A</sub>=25°C and V<sub>DD</sub>-V<sub>SS</sub>=5V. They are given only as design guidelines and are not tested.
2. Since startup time for internal voltage reference and bias is 1 µs, comparator correct output should not be expected before 1 µs during startup.

## 14 PACKAGE CHARACTERISTICS

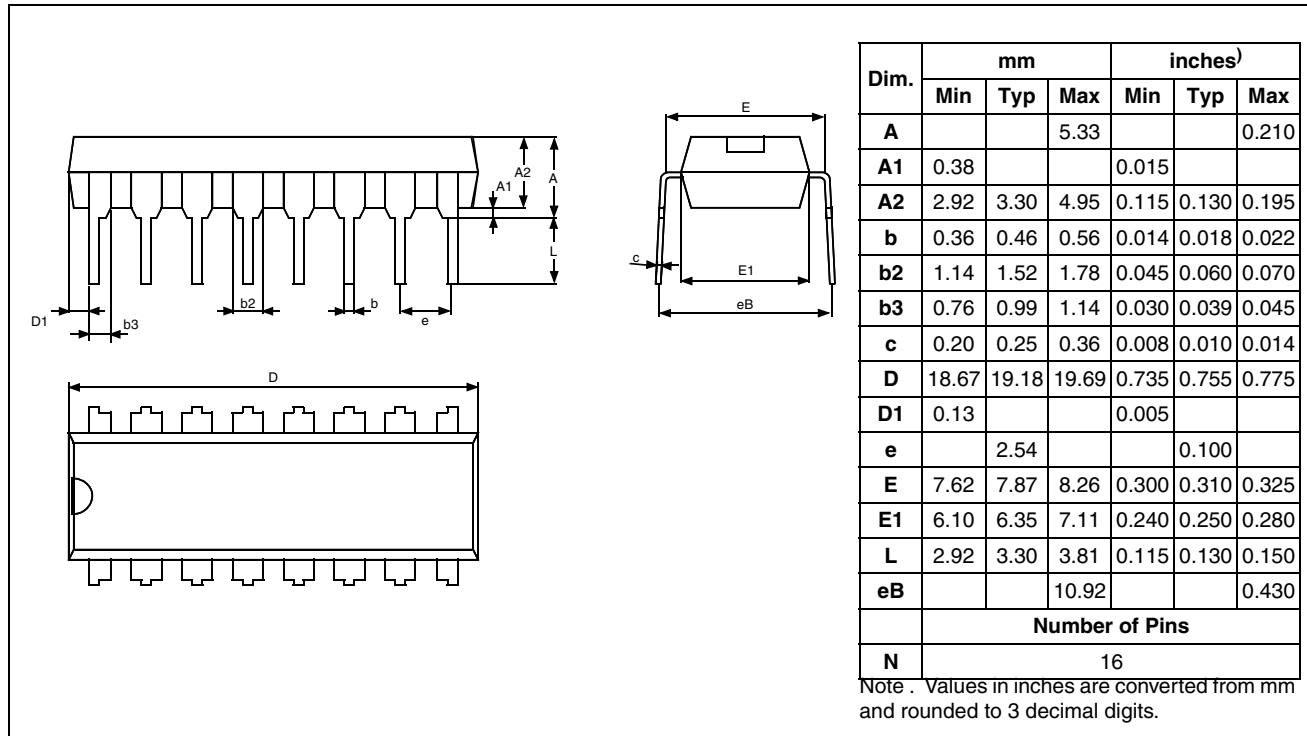
In order to meet environmental requirements, ST offers these devices in ECOPACK® packages. These packages have a Lead-free second level interconnect. The category of second Level Interconnect is marked on the package and on the inner box label, in compliance with JEDEC Standard

JESD97. The maximum ratings related to soldering conditions are also marked on the inner box label.

ECOPACK is an ST trademark. ECOPACK specifications are available at: [www.st.com](http://www.st.com).

### 14.1 PACKAGE MECHANICAL DATA

Figure 113. 16-Pin Plastic Dual In-Line Package, 300-mil Width





PACKAGE CHARACTERISTICS (Cont'd)

Figure 114. 16-Pin Plastic Small Outline Package, 300-mil Width

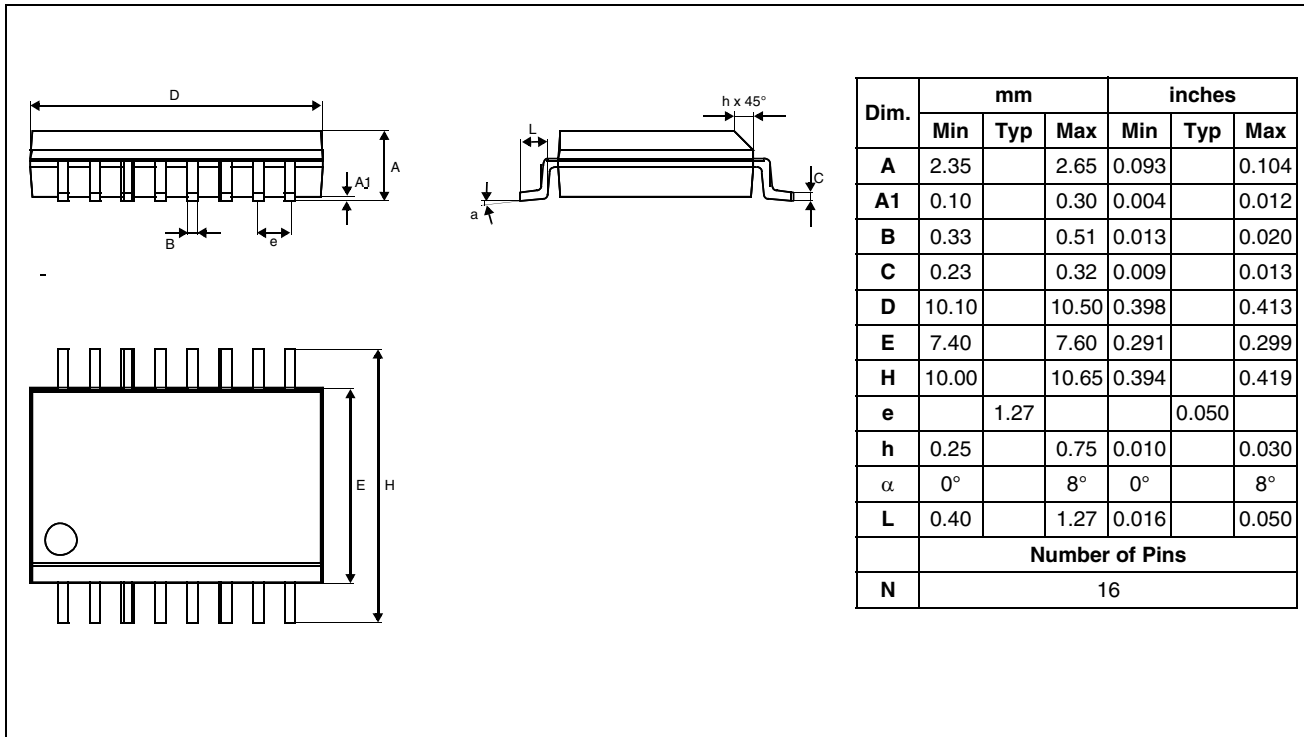
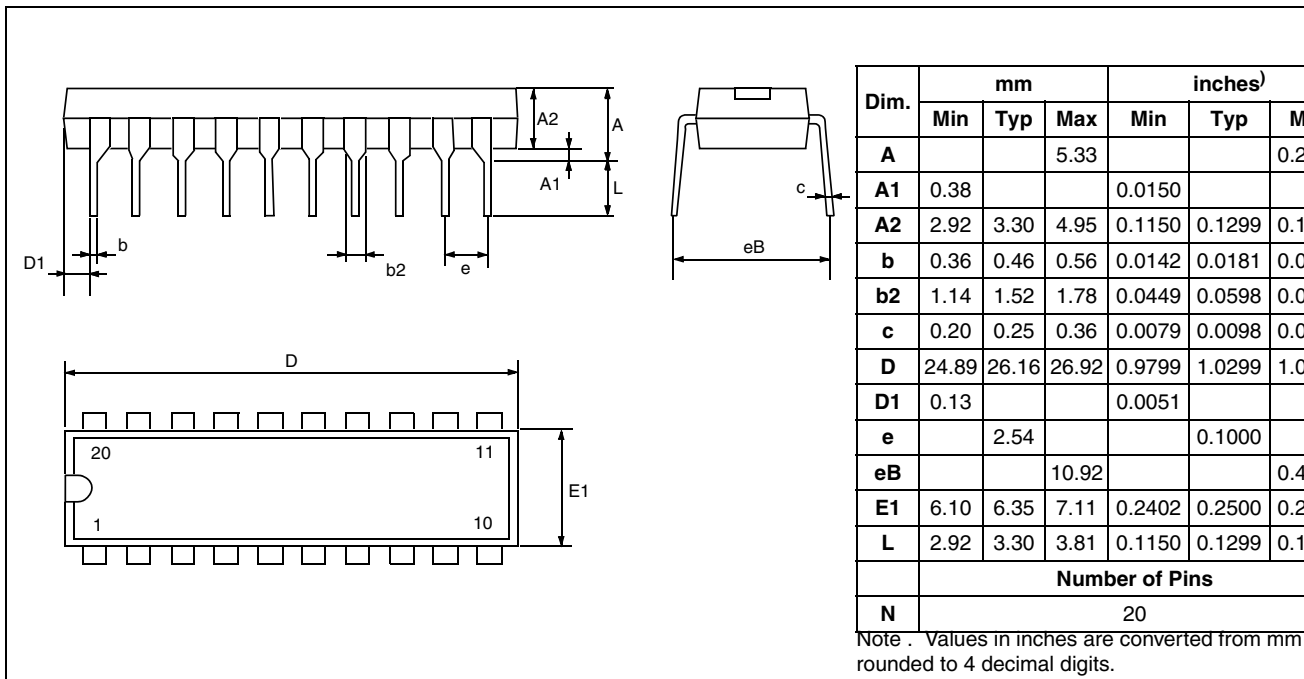


Figure 115. 20-Pin Plastic Dual In-Line Package, 300-mil Width



PACKAGE CHARACTERISTICS (Cont'd)

Figure 116. 20-Pin Plastic Small Outline Package, 300-mil Width

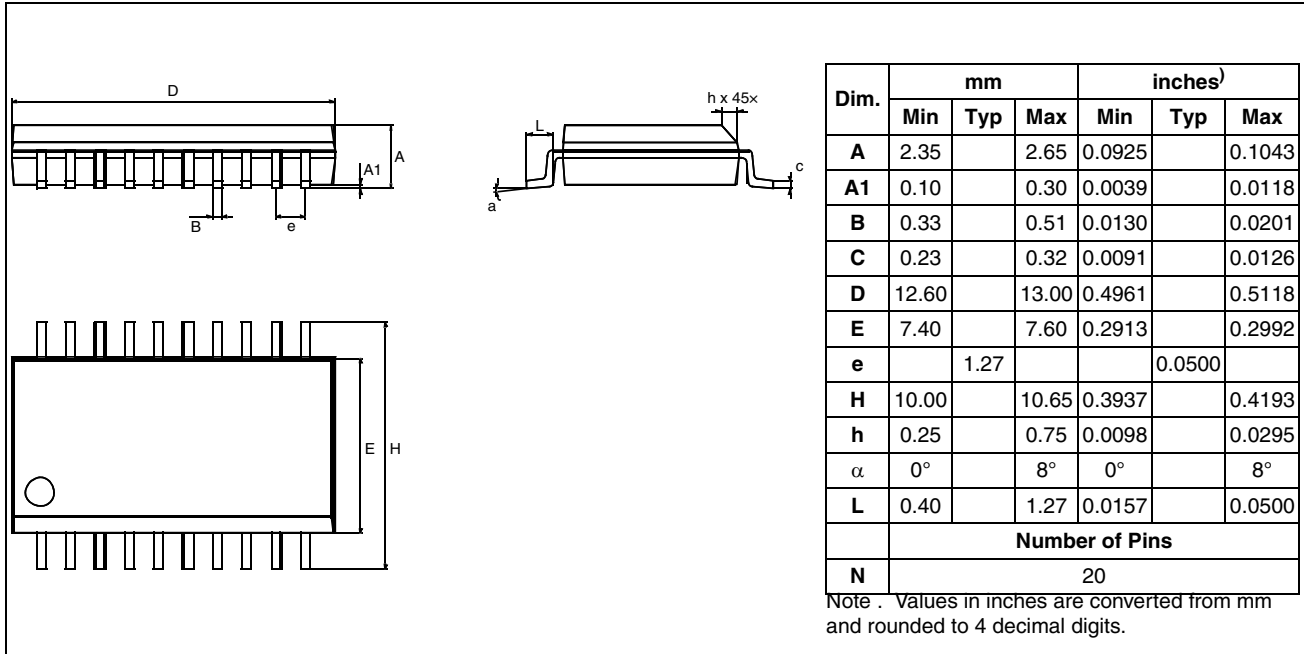


Figure 117. 20-Lead Very thin Fine pitch Quad Flat No-Lead Package

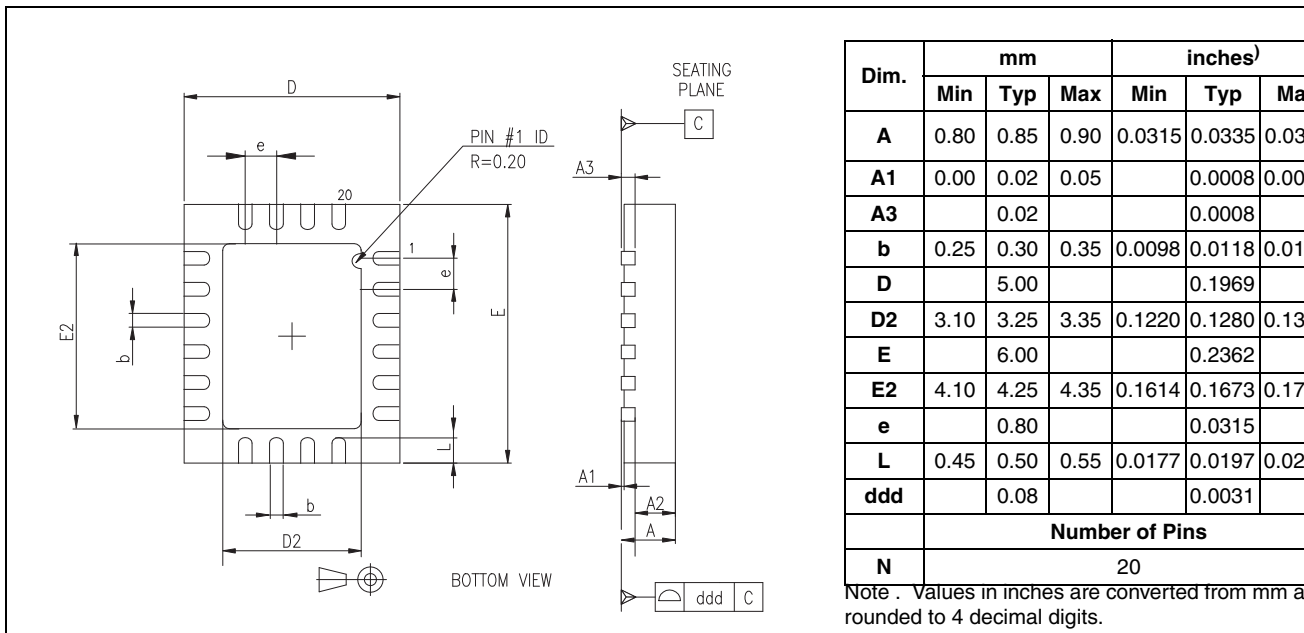


Table 24. THERMAL CHARACTERISTICS

| Symbol     | Ratings   |                        | Value | Unit |
|------------|---|------------------------|-------|------|
| $R_{thJA}$ | Package thermal resistance<br>(junction to ambient) | DIP16/SO16             | 85    | °C/W |
|            |   | DIP20/SO20             | 85    |      |
|            |   | QFN20 (on 4-layer PCB) | 43    |      |
|            |   | QFN20 (on 2-layer PCB) | 95    |      |
| $T_{Jmax}$ | Maximum junction temperature <sup>1)</sup>          |                        | 150   | °C   |
| $P_{Dmax}$ | Power dissipation <sup>2)</sup>                     | DIP16/SO16             | 300   | mW   |
|            |   | DIP20/SO20             | 300   |      |

**Notes:**

1. The maximum chip-junction temperature is based on technology characteristics.

2. The maximum power dissipation is obtained from the formula  $P_D = (T_J - T_A) / R_{thJA}$ .

The power dissipation of an application can be defined by the user with the formula:  $P_D = P_{INT} + P_{PORT}$  where  $P_{INT}$  is the chip internal power ( $I_{DD} \times V_{DD}$ ) and  $P_{PORT}$  is the port power dissipation depending on the ports used in the application.

**14.2 SOLDERING INFORMATION**

In accordance with the RoHS European directive, all STMicroelectronics packages have been converted to lead-free technology, named ECOPACK™.

- ECOPACK™ packages are qualified according to the JEDEC STD-020C compliant soldering profile.
- Detailed information on the STMicroelectronics ECOPACK™ transition program is available on [www.st.com/stonline/leadfree/](http://www.st.com/stonline/leadfree/), with specific technical Application notes covering the main technical aspects related to lead-free conversion (AN2033, AN2034, AN2035, AN2036).

**Backward and forward compatibility:**

The main difference between Pb and Pb-free soldering process is the temperature range.

- ECOPACK™ TQFP, SDIP, SO and QFN20 packages are fully compatible with Lead (Pb) containing soldering process (see application note AN2034)
- TQFP, SDIP and SO Pb-packages are compatible with Lead-free soldering process, nevertheless it's the customer's duty to verify that the Pb-packages maximum temperature (mentioned on the Inner box label) is compatible with their Lead-free soldering temperature.

**Table 25. Soldering Compatibility (wave and reflow soldering process)**

| Package     | Plating material devices       | Pb solder paste | Pb-free solder paste |
|-------------|--------------------------------|-----------------|----------------------|
| SDIP & PDIP | Sn (pure Tin)                  | Yes             | Yes *                |
| QFN         | Sn (pure Tin)                  | Yes             | Yes *                |
| TQFP and SO | NiPdAu (Nickel-palladium-Gold) | Yes             | Yes *                |

\* Assemblers must verify that the Pb-package maximum temperature (mentioned on the Inner box label) is compatible with their Lead-free soldering process.

## 15 DEVICE CONFIGURATION AND ORDERING INFORMATION

Each device is available for production in user programmable versions (FLASH).

ST7FLITE1xB devices are shipped to customers with a default program memory content (FFh). This implies that FLASH devices have to be configured by the customer using the Option Bytes.

### 15.1 OPTION BYTES

The two option bytes allow the hardware configuration of the microcontroller to be selected.

The option bytes can be accessed only in programming mode (for example using a standard ST7 programming tool).

#### OPTION BYTE 0

OPT7 = Reserved, must always be 1.

OPT6 = **PKG** *Package selection*

0: 16-pin package  
1: 20-pin package

OPT5:4 = **CLKSEL** *Clock Source Selection*

When the internal RC oscillator is not selected (Option OSC=1), these option bits select the clock source: resonator oscillator or external clock

| Clock Source                   |        | Port C                               | CLKSEL |   |
|--------------------------------|--------|--------------------------------------|--------|---|
| Resonator                      |        | Ext. Osc Disabled/<br>Port C Enabled | 0      | 0 |
| Ext.<br>Clock source:<br>CLKIN | on PB4 | Ext. Osc Enabled/<br>Port C Disabled | 0      | 1 |
|                                | on PC0 |                                      | 1      | 1 |
| Reserved                       |        |                                      | 1      | 0 |

**Note:** When the internal RC oscillator is selected, the CLKSEL option bits must be kept at their default value in order to select the 256 clock cycle delay (see [Section 7.5](#)).

OPT3:2 = **SEC[1:0]** *Sector 0 size definition*

These option bits indicate the size of sector 0 according to the following table.

| Sector 0 Size | SEC1 | SEC0 |
|---------------|------|------|
| 0.5k          | 0    | 0    |
| 1k            | 0    | 1    |
| 2k            | 1    | 0    |
| 4k            | 1    | 1    |

OPT1 = **FMP\_R** *Read-out protection*

Readout protection, when selected provides a protection against program memory content extraction and against write access to Flash memory. Erasing the option bytes when the FMP\_R option is selected will cause the whole memory to be erased first and the device can be reprogrammed. Refer to the ST7 Flash Programming Reference Manual and [section 4.5 on page 14](#) for more details

0: Read-out protection off  
1: Read-out protection on

OPT0 = **FMP\_W** *FLASH write protection*

This option indicates if the FLASH program memory is write protected.

**Warning:** When this option is selected, the program memory (and the option bit itself) can never be erased or programmed again.

0: Write protection off  
1: Write protection on

|               | OPTION BYTE 0 |     |        |   |      |      |       |       | OPTION BYTE 1 |         |           |     |      |      |        |          |
|---------------|---------------|-----|--------|---|------|------|-------|-------|---------------|---------|-----------|-----|------|------|--------|----------|
|               | 7             |     |        |   |      |      |       | 0     | 7             |         |           |     |      |      |        | 0        |
|               | Res.          | PKG | CLKSEL |   | SEC1 | SEC0 | FMP R | FMP W | PLL x4x8      | PLL OFF | PLL32 OFF | OSC | LVD1 | LVD0 | WDG SW | WDG HALT |
| Default Value | 1             | 1   | 1      | 1 | 0    | 1    | 0     | 0     | 1             | 1       | 1         | 0   | 1    | 1    | 1      | 1        |

**OPTION BYTES (Cont'd)**

**OPTION BYTE 1**

OPT7 = **PLLx4x8** *PLL Factor selection.*

- 0: PLLx4
- 1: PLLx8

OPT6 = **PLLOFF** *PLL disable.*

- 0: PLL enabled
- 1: PLL disabled (by-passed)

OPT5 = **PLL32OFF** *32MHz PLL disable.*

- 0: PLL32 enabled
- 1: PLL32 disabled (by-passed)

OPT4 = **OSC** *RC Oscillator selection*

- 0: RC oscillator on
- 1: RC oscillator off

**Notes:**

- 1% RC oscillator available on ST7LITE15B and ST7LITE19B devices only
- If the RC oscillator is selected, then to improve clock stability and frequency accuracy, it is recommended to place a decoupling capacitor, typically 100nF, between the V<sub>DD</sub> and V<sub>SS</sub> pins as close as possible to the ST7 device.

OPT3:2 = **LVD[1:0]** *Low voltage detection selection*

These option bits enable the LVD block with a selected threshold as shown in [Table 26](#).

**Table 26. LVD Threshold Configuration**

| Configuration                     | LVD1 | LVD0 |
|-----------------------------------|------|------|
| LVD Off                           | 1    | 1    |
| Highest Voltage Threshold (~4.1V) | 1    | 0    |
| Medium Voltage Threshold (~3.5V)  | 0    | 1    |
| Lowest Voltage Threshold (~2.8V)  | 0    | 0    |

OPT1 = **WDG SW** *Hardware or Software Watchdog*

- This option bit selects the watchdog type.
- 0: Hardware (watchdog always enabled)
  - 1: Software (watchdog to be enabled by software)

OPT0 = **WDG HALT** *Watchdog Reset on Halt*

This option bit determines if a RESET is generated when entering HALT mode while the Watchdog is active.

- 0: No Reset generation when entering Halt mode
- 1: Reset generation when entering Halt mode

**Table 27. List of valid option combinations**

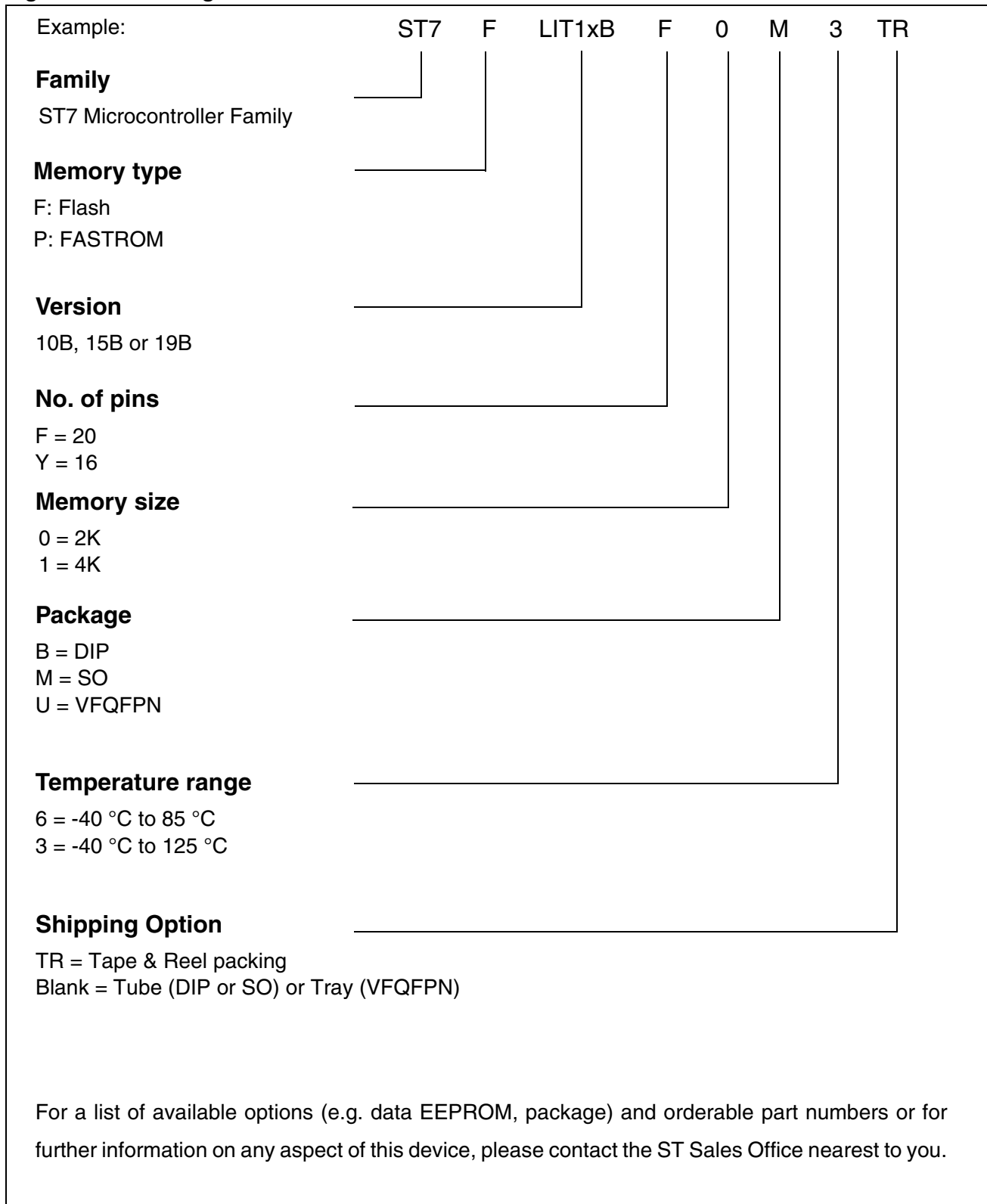
| Operating conditions  |                              | Option Bits |                      |     |        |         |
|-----------------------|------------------------------|-------------|----------------------|-----|--------|---------|
| V <sub>DD</sub> range | Clock Source                 | PLL         | Typ f <sub>CPU</sub> | OSC | PLLOFF | PLLx4x8 |
| 2.7V - 3.3V           | Internal RC 1% <sup>1)</sup> | off         | 1MHz @3.3V           | 0   | 1      | 1       |
|                       |                              | x4          | 4MHz @3.3V           | 0   | 0      | 0       |
|                       |                              | x8          | -                    | -   | -      | -       |
|                       | External clock               | off         | 0-4MHz               | 1   | 1      | 1       |
|                       |                              | x4          | 4MHz                 | 1   | 0      | 0       |
|                       |                              | x8          | -                    | -   | -      | -       |
| 3.3V - 5.5V           | Internal RC 1% <sup>1)</sup> | off         | 1MHz @5V             | 0   | 1      | 1       |
|                       |                              | x4          | -                    | -   | -      | -       |
|                       |                              | x8          | 8MHz @5V             | 0   | 0      | 1       |
|                       | External clock               | off         | 0-8MHz               | 1   | 1      | 1       |
|                       |                              | x4          | -                    | -   | -      | -       |
|                       |                              | x8          | 8 MHz                | 1   | 0      | 1       |

Note 1: Configuration available on ST7LITE15B and ST7LITE19B devices only

**Note:** see Clock Management Block diagram in [Figure 14](#)

## 15.2 DEVICE ORDERING INFORMATION

Figure 118. Ordering information scheme



ST7LITE1xB FASTROM microcontroller option list

Customer Address .....

Contact Phone No .....

Reference/FASTROM Code\*: .....

\*FASTROM code name is assigned by STMicroelectronics.

FASTROM code must be sent in .S19 format. .Hex extension cannot be processed.

Device Type/Memory Size/Package (check only one option):

| FASTROM DEVICE: | 2K                                      | 4K                                      |
|-----------------|---|---|
| VFQFPN20:       | <input type="checkbox"/> ST7PLIT19BF0Ux | <input type="checkbox"/> ST7PLIT19BF1Ux |
| SO20:           | <input type="checkbox"/> ST7PLIT19BF0Mx | <input type="checkbox"/> ST7PLIT19BF1Mx |
| PDIP20:         | <input type="checkbox"/> ST7PLIT19BF0Bx | <input type="checkbox"/> ST7PLIT19BF1Bx |
| SO16:           | <input type="checkbox"/> ST7PLIT19BY0Mx | <input type="checkbox"/> ST7PLIT19BY1Mx |
| PDIP16:         | <input type="checkbox"/> ST7PLIT19BY0Bx | <input type="checkbox"/> ST7PLIT19BY1Bx |

**Warning:** Addresses DEE0h, DEE1h, DEE2h and DEE3h are reserved areas for ST to program RCCR0 and RCCR1 (see [section 7.1 on page 23](#)).

Conditioning (check only one option, do not specify for DIP package) :

- VFQFPN  Tape & Reel  Tray
- SO  Tape & Reel  Tube

Special marking:  No  Yes " \_\_\_\_\_ "

Authorized characters are letters, digits, '.', '-', '/' and spaces only.

Maximum character count: 8 char. max \_\_\_\_\_

Temperature range:  -40°C to +85°C  -40°C to +125°C

Watchdog selection (WDG\_SW):  Software activation  Hardware activation

Watchdog reset on Halt (WDG\_HALT):  Reset  No Reset

LVD reset (LVD):  Disabled  Enabled  
 Highest threshold  
 Medium threshold  
 Lowest threshold

Sector 0 size (SEC):  0.5K  1K  2K  4K

Readout protection (FMP\_R):  Disabled  Enabled

Flash write protection (FMP\_W):  Disabled  Enabled

RC oscillator (OSC) :  Disabled  Enabled

Clock source selection (CKSEL):  
 (if OSC disabled)  External crystal / ceramic resonator:  
 External Clock on PB4  
 External Clock on PC0

PLL (PLLOFF):  Disabled  Enabled

PLL factor (PLLx4x8):  PLLx4  PLLx8

PLL32 (PLL32OFF):  Disabled  Enabled

Comments : .....

Supply operating range in the application : .....

Notes .....

Date : .....

Signature : .....

**Important note :** Not all configurations are available. See [Table 27 on page 150](#) for authorized option byte combinations.



## 15.3 DEVELOPMENT TOOLS

Development tools for the ST7 microcontrollers include a complete range of hardware systems and software tools from STMicroelectronics and third-party tool suppliers. The range of tools includes solutions to help you evaluate microcontroller peripherals, develop and debug your application, and program your microcontrollers.

### 15.3.1 Starter kits

ST offers complete, affordable **starter kits**. Starter kits are complete hardware/software tool packages that include features and samples to help you quickly start developing your application.

### 15.3.2 Development and debugging tools

Application development for ST7 is supported by fully optimizing **C Compilers** and the **ST7 Assembler-Linker** toolchain, which are all seamlessly integrated in the ST7 integrated development environments in order to facilitate the debugging and fine-tuning of your application. The Cosmic C Compiler is available in a free version that outputs up to 16KBytes of code.

The range of hardware tools includes full-featured **ST7-EMU3 series emulators**, cost effective **ST7-DVP3 series emulators** and the low-cost **RLink** in-circuit debugger/programmer. These tools are supported by the **ST7 Toolset** from STMicroelectronics, which includes the STVD7 integrated development environment (IDE) with high-level lan-

guage debugger, editor, project manager and integrated programming interface.

### 15.3.3 Programming tools

During the development cycle, the **ST7-DVP3** and **ST7-EMU3 series emulators** and the **RLink** provide in-circuit programming capability for programming the Flash microcontroller on your application board.

ST also provides a low-cost dedicated in-circuit programmer, the **ST7-STICK**, as well as **ST7 Socket Boards** which provide all the sockets required for programming any of the devices in a specific ST7 sub-family on a platform that can be used with any tool with in-circuit programming capability for ST7.

For production programming of ST7 devices, ST's third-party tool partners also provide a complete range of gang and automated programming solutions, which are ready to integrate into your production environment.

### 15.3.4 Order Codes for Development and Programming Tools

**Table 28** below lists the ordering codes for the ST7LITE1xB development and programming tools. For additional ordering codes for spare parts and accessories, refer to the online product selector at [www.st.com/mcu](http://www.st.com/mcu).

### 15.3.5 Order codes for ST7LITE1xB development tools

**Table 28. Development tool order codes for the ST7LITE1xB family**

| MCU  | In-circuit Debugger, RLink Series <sup>1)</sup> |                                | Emulator                    |               | Programming Tool                       |                           |
|--|---|--------------------------------|-----------------------------|---------------|--|---------------------------|
|  | Starter Kit without Demo Board                  | Starter Kit with Demo Board    | DVP Series                  | EMU Series    | In-circuit Programmer                  | ST Socket Boards and EPBs |
| ST7FLIT1xBF0<br>ST7FLIT1xBF1<br>ST7FLIT1xBY0<br>ST7FLIT1xBY1 | STX-RLINK <sup>2)</sup>                         | ST7FLITE-SK/RAIS <sup>2)</sup> | ST7MDT10-DVP3 <sup>4)</sup> | ST7MDT10-EMU3 | STX-RLINK<br>ST7-STICK <sup>3)5)</sup> | ST7SB10-123 <sup>3)</sup> |

#### Notes:

1. Available from ST or from Raisonance, [www.raisonance.com](http://www.raisonance.com)
2. USB connection to PC
3. Add suffix /EU, /UK or /US for the power supply for your region
4. Includes connection kit for DIP16/SO16 only. See "How to order an EMU or DVP" in ST product and tool selection guide for connection kit ordering information
5. Parallel port connection to PC

## 15.4 ST7 APPLICATION NOTES

Table 29. ST7 Application Notes

| IDENTIFICATION              | DESCRIPTION  |
|-----------------------------|--|
| <b>APPLICATION EXAMPLES</b> |  |
| AN1658                      | SERIAL NUMBERING IMPLEMENTATION  |
| AN1720                      | MANAGING THE READ-OUT PROTECTION IN FLASH MICROCONTROLLERS                             |
| AN1755                      | A HIGH RESOLUTION/PRECISION THERMOMETER USING ST7 AND NE555                            |
| AN1756                      | CHOOSING A DALI IMPLEMENTATION STRATEGY WITH ST7DALI                                   |
| AN1812                      | A HIGH PRECISION, LOW COST, SINGLE SUPPLY ADC FOR POSITIVE AND NEGATIVE INPUT VOLTAGES |
| <b>EXAMPLE DRIVERS</b>      |  |
| AN 969                      | SCI COMMUNICATION BETWEEN ST7 AND PC   |
| AN 970                      | SPI COMMUNICATION BETWEEN ST7 AND EEPROM   |
| AN 971                      | I <sup>2</sup> C COMMUNICATION BETWEEN ST7 AND M24CXX EEPROM                           |
| AN 972                      | ST7 SOFTWARE SPI MASTER COMMUNICATION  |
| AN 973                      | SCI SOFTWARE COMMUNICATION WITH A PC USING ST72251 16-BIT TIMER                        |
| AN 974                      | REAL TIME CLOCK WITH ST7 TIMER OUTPUT COMPARE  |
| AN 976                      | DRIVING A BUZZER THROUGH ST7 TIMER PWM FUNCTION  |
| AN 979                      | DRIVING AN ANALOG KEYBOARD WITH THE ST7 ADC  |
| AN 980                      | ST7 KEYPAD DECODING TECHNIQUES, IMPLEMENTING WAKE-UP ON KEYSTROKE                      |
| AN1017                      | USING THE ST7 UNIVERSAL SERIAL BUS MICROCONTROLLER                                     |
| AN1041                      | USING ST7 PWM SIGNAL TO GENERATE ANALOG OUTPUT (SINUSOID)                              |
| AN1042                      | ST7 ROUTINE FOR I <sup>2</sup> C SLAVE MODE MANAGEMENT                                 |
| AN1044                      | MULTIPLE INTERRUPT SOURCES MANAGEMENT FOR ST7 MCUS                                     |
| AN1045                      | ST7 S/W IMPLEMENTATION OF I <sup>2</sup> C BUS MASTER                                  |
| AN1046                      | UART EMULATION SOFTWARE  |
| AN1047                      | MANAGING RECEPTION ERRORS WITH THE ST7 SCI PERIPHERALS                                 |
| AN1048                      | ST7 SOFTWARE LCD DRIVER  |
| AN1078                      | PWM DUTY CYCLE SWITCH IMPLEMENTING TRUE 0% & 100% DUTY CYCLE                           |
| AN1082                      | DESCRIPTION OF THE ST72141 MOTOR CONTROL PERIPHERALS REGISTERS                         |
| AN1083                      | ST72141 BLDC MOTOR CONTROL SOFTWARE AND FLOWCHART EXAMPLE                              |
| AN1105                      | ST7 PCAN PERIPHERAL DRIVER   |
| AN1129                      | PWM MANAGEMENT FOR BLDC MOTOR DRIVES USING THE ST72141                                 |
| AN1130                      | AN INTRODUCTION TO SENSORLESS BRUSHLESS DC MOTOR DRIVE APPLICATIONS WITH THE ST72141   |
| AN1148                      | USING THE ST7263 FOR DESIGNING A USB MOUSE   |
| AN1149                      | HANDLING SUSPEND MODE ON A USB MOUSE   |
| AN1180                      | USING THE ST7263 KIT TO IMPLEMENT A USB GAME PAD                                       |
| AN1276                      | BLDC MOTOR START ROUTINE FOR THE ST72141 MICROCONTROLLER                               |
| AN1321                      | USING THE ST72141 MOTOR CONTROL MCU IN SENSOR MODE                                     |
| AN1325                      | USING THE ST7 USB LOW-SPEED FIRMWARE V4.X  |
| AN1445                      | EMULATED 16 BIT SLAVE SPI  |
| AN1475                      | DEVELOPING AN ST7265X MASS STORAGE APPLICATION   |
| AN1504                      | STARTING A PWM SIGNAL DIRECTLY AT HIGH LEVEL USING THE ST7 16-BIT TIMER                |
| AN1602                      | 16-BIT TIMING OPERATIONS USING ST7262 OR ST7263B ST7 USB MCUS                          |
| AN1633                      | DEVICE FIRMWARE UPGRADE (DFU) IMPLEMENTATION IN ST7 NON-USB APPLICATIONS               |
| AN1712                      | GENERATING A HIGH RESOLUTION SINEWAVE USING ST7 PWMART                                 |
| AN1713                      | SMBUS SLAVE DRIVER FOR ST7 I <sup>2</sup> C PERIPHERALS                                |
| AN1753                      | SOFTWARE UART USING 12-BIT ART   |

Table 29. ST7 Application Notes

| IDENTIFICATION               | DESCRIPTION   |
|------------------------------|---|
| AN1947                       | ST7MC PMAC SINE WAVE MOTOR CONTROL SOFTWARE LIBRARY                         |
| <b>GENERAL PURPOSE</b>       |   |
| AN1476                       | LOW COST POWER SUPPLY FOR HOME APPLIANCES                                   |
| AN1526                       | ST7FLITE0 QUICK REFERENCE NOTE  |
| AN1709                       | EMC DESIGN FOR ST MICROCONTROLLERS  |
| AN1752                       | ST72324 QUICK REFERENCE NOTE  |
| <b>PRODUCT EVALUATION</b>    |   |
| AN 910                       | PERFORMANCE BENCHMARKING  |
| AN 990                       | ST7 BENEFITS VERSUS INDUSTRY STANDARD                                       |
| AN1077                       | OVERVIEW OF ENHANCED CAN CONTROLLERS FOR ST7 AND ST9 MCUS                   |
| AN1086                       | U435 CAN-DO SOLUTIONS FOR CAR MULTIPLEXING                                  |
| AN1103                       | IMPROVED B-EMF DETECTION FOR LOW SPEED, LOW VOLTAGE WITH ST72141            |
| AN1150                       | BENCHMARK ST72 VS PC16  |
| AN1151                       | PERFORMANCE COMPARISON BETWEEN ST72254 & PC16F876                           |
| AN1278                       | LIN (LOCAL INTERCONNECT NETWORK) SOLUTIONS                                  |
| <b>PRODUCT MIGRATION</b>     |   |
| AN1131                       | MIGRATING APPLICATIONS FROM ST72511/311/214/124 TO ST72521/321/324          |
| AN1322                       | MIGRATING AN APPLICATION FROM ST7263 REV.B TO ST7263B                       |
| AN1365                       | GUIDELINES FOR MIGRATING ST72C254 APPLICATIONS TO ST72F264                  |
| AN1604                       | HOW TO USE ST7MDT1-TRAIN WITH ST72F264                                      |
| AN2200                       | GUIDELINES FOR MIGRATING ST7LITE1X APPLICATIONS TO ST7FLITE1XB              |
| <b>PRODUCT OPTIMIZATION</b>  |   |
| AN 982                       | USING ST7 WITH CERAMIC RESONATOR  |
| AN1014                       | HOW TO MINIMIZE THE ST7 POWER CONSUMPTION                                   |
| AN1015                       | SOFTWARE TECHNIQUES FOR IMPROVING MICROCONTROLLER EMC PERFORMANCE           |
| AN1040                       | MONITORING THE VBUS SIGNAL FOR USB SELF-POWERED DEVICES                     |
| AN1070                       | ST7 CHECKSUM SELF-CHECKING CAPABILITY                                       |
| AN1181                       | ELECTROSTATIC DISCHARGE SENSITIVE MEASUREMENT                               |
| AN1324                       | CALIBRATING THE RC OSCILLATOR OF THE ST7FLITE0 MCU USING THE MAINS          |
| AN1502                       | EMULATED DATA EEPROM WITH ST7 HDFLASH MEMORY                                |
| AN1529                       | EXTENDING THE CURRENT & VOLTAGE CAPABILITY ON THE ST7265 VDDF SUPPLY        |
| AN1530                       | ACCURATE TIMEBASE FOR LOW-COST ST7 APPLICATIONS WITH INTERNAL RC OSCILLATOR |
| AN1605                       | USING AN ACTIVE RC TO WAKEUP THE ST7LITE0 FROM POWER SAVING MODE            |
| AN1636                       | UNDERSTANDING AND MINIMIZING ADC CONVERSION ERRORS                          |
| AN1828                       | PIR (PASSIVE INFRARED) DETECTOR USING THE ST7FLITE05/09/SUPERLITE           |
| AN1946                       | SENSORLESS BLDC MOTOR CONTROL AND BEMF SAMPLING METHODS WITH ST7MC          |
| AN1953                       | PFC FOR ST7MC STARTER KIT   |
| AN1971                       | ST7LITE0 MICROCONTROLLED BALLAST  |
| <b>PROGRAMMING AND TOOLS</b> |   |
| AN 978                       | ST7 VISUAL DEVELOP SOFTWARE KEY DEBUGGING FEATURES                          |
| AN 983                       | KEY FEATURES OF THE COSMIC ST7 C-COMPILER PACKAGE                           |
| AN 985                       | EXECUTING CODE IN ST7 RAM   |
| AN 986                       | USING THE INDIRECT ADDRESSING MODE WITH ST7                                 |
| AN 987                       | ST7 SERIAL TEST CONTROLLER PROGRAMMING                                      |
| AN 988                       | STARTING WITH ST7 ASSEMBLY TOOL CHAIN                                       |
| AN 989                       | GETTING STARTED WITH THE ST7 HIWARE C TOOLCHAIN                             |

Table 29. ST7 Application Notes

| IDENTIFICATION             | DESCRIPTION   |
|----------------------------|---|
| AN1039                     | ST7 MATH UTILITY ROUTINES   |
| AN1064                     | WRITING OPTIMIZED HIWARE C LANGUAGE FOR ST7                                     |
| AN1071                     | HALF DUPLEX USB-TO-SERIAL BRIDGE USING THE ST72611 USB MICROCONTROLLER          |
| AN1106                     | TRANSLATING ASSEMBLY CODE FROM HC05 TO ST7                                      |
| AN1179                     | PROGRAMMING ST7 FLASH MICROCONTROLLERS IN REMOTE ISP MODE (IN-SITU PROGRAMMING) |
| AN1446                     | USING THE ST72521 EMULATOR TO DEBUG A ST72324 TARGET APPLICATION                |
| AN1477                     | EMULATED DATA EEPROM WITH XFLASH MEMORY   |
| AN1478                     | PORTING AN ST7 PANTA PROJECT TO CODEWARRIOR IDE                                 |
| AN1527                     | DEVELOPING A USB SMARTCARD READER WITH ST7SCR                                   |
| AN1575                     | ON-BOARD PROGRAMMING METHODS FOR XFLASH AND HDFLASH ST7 MCUS                    |
| AN1576                     | IN-APPLICATION PROGRAMMING (IAP) DRIVERS FOR ST7 HDFLASH OR XFLASH MCUS         |
| AN1577                     | DEVICE FIRMWARE UPGRADE (DFU) IMPLEMENTATION FOR ST7 USB APPLICATIONS           |
| AN1601                     | SOFTWARE IMPLEMENTATION FOR ST7DALI-EVAL  |
| AN1603                     | USING THE ST7 USB DEVICE FIRMWARE UPGRADE DEVELOPMENT KIT (DFU-DK)              |
| AN1635                     | ST7 CUSTOMER ROM CODE RELEASE INFORMATION                                       |
| AN1754                     | DATA LOGGING PROGRAM FOR TESTING ST7 APPLICATIONS VIA ICC                       |
| AN1796                     | FIELD UPDATES FOR FLASH BASED ST7 APPLICATIONS USING A PC COMM PORT             |
| AN1900                     | HARDWARE IMPLEMENTATION FOR ST7DALI-EVAL  |
| AN1904                     | ST7MC THREE-PHASE AC INDUCTION MOTOR CONTROL SOFTWARE LIBRARY                   |
| AN1905                     | ST7MC THREE-PHASE BLDC MOTOR CONTROL SOFTWARE LIBRARY                           |
| <b>SYSTEM OPTIMIZATION</b> |   |
| AN1711                     | SOFTWARE TECHNIQUES FOR COMPENSATING ST7 ADC ERRORS                             |
| AN1827                     | IMPLEMENTATION OF SIGMA-DELTA ADC WITH ST7FLITE05/09                            |
| AN2009                     | PWM MANAGEMENT FOR 3-PHASE BLDC MOTOR DRIVES USING THE ST7FMC                   |
| AN2030                     | BACK EMF DETECTION DURING PWM ON TIME BY ST7MC                                  |

## 16 REVISION HISTORY

| Date       | Revision | Main changes  |
|------------|----------|---|
| 20-Dec-05  | 1        | Initial release on internet   |
| 20-July-06 | 2        | <p>Added reset default state in bold for RESET, PC0 and PC1 in <a href="#">Table 1, "Device Pin Description," on page 7</a></p> <p>Changed note below <a href="#">Figure 9 on page 17</a> and the last paragraph of "ACCESS ERROR HANDLING" on page 18</p> <p>Modified note 3 in <a href="#">Table 2, "Hardware Register Map," on page 10</a>, changed LTICR reset value and replaced h by b for LTCSR1, ATCSR and SICSR reset values</p> <p>Added note to <a href="#">Figure 14 on page 26</a></p> <p>Modified caution in <a href="#">section 7.2 on page 23</a></p> <p>Added note 2 in "EXTERNAL INTERRUPT CONTROL REGISTER (EICR)" on page 38 and changed "External Interrupt Function" on page 48</p> <p>Removed references to true open drain in <a href="#">Table 8 on page 50</a>, <a href="#">Table 9 on page 51</a> and notes</p> <p>Replaced Auto reload timer 3 by Auto reload timer 4 in <a href="#">section 11.2 on page 57</a></p> <p>Modified the BA bit description in the BREAKCR register in <a href="#">section 11.2.6 on page 70</a></p> <p>Changed order of <a href="#">Section 11.3.3.2</a> and <a href="#">section 11.3.3.3 on page 80</a> and removed two paragraphs before <a href="#">section 11.3.4 on page 81</a></p> <p>Modified <a href="#">Section 11.3.3.2</a></p> <p>Modified bit names in the description of LTARR and LTCNTR registers in <a href="#">section 11.3.6 on page 81</a></p> <p>Added important note in <a href="#">section 11.6.3 on page 100</a> and added note to CHYST bit description in <a href="#">section 11.6.4 on page 102</a></p> <p>Modified CINV bit description in <a href="#">section 11.6.4 on page 102</a> and <a href="#">Figure 62 on page 101</a></p> <p>Changed LTCSR2 reset values in <a href="#">Table 2 on page 10</a> and in <a href="#">section 11.3.6 on page 81</a></p> <p>Modified <a href="#">section 13.2.2 on page 111</a> (<math>I_{IO}</math> values)</p> <p>Modified <a href="#">Section 13.3.1</a> and <a href="#">section 13.3.2 on page 112</a></p> <p>Removed <math>V_{tPOR}</math> min value in <a href="#">section 13.3.3.1 on page 113</a></p> <p>Modified <a href="#">section 13.3.4 on page 114</a></p> <p>Modified <a href="#">section 13.3.5 on page 114</a></p> <p>Modified <a href="#">section 13.3.5.1 on page 115</a> and <a href="#">section 13.3.5.2 on page 117</a></p> <p>Modified temperature range in <a href="#">section 13.3.5.3 on page 119</a></p> <p>Modified <a href="#">section 13.4.1 on page 121</a></p> <p>Added note in <a href="#">section 13.5.3 on page 124</a></p> <p>Removed figures "PLLx4 and PLLx8 Output vs CLKIN frequency"</p> <p>Updated <a href="#">section 13.5.4 on page 125</a></p> <p>Modified <a href="#">section 13.6 on page 126</a></p> <p>Modified <a href="#">Section 13.7.1</a> and <a href="#">section 13.7.2 on page 127</a></p> <p>Modified <a href="#">section 13.10.1 on page 137</a> (<math>t_{su}(SS)</math>, <math>t_{v(MO)}</math> and <math>t_{h(MO)}</math>)</p> <p>Modified <a href="#">Figure 108 (CPHA=1)</a> and <a href="#">Figure 109 on page 138</a> (<math>t_{v(MO)}</math>, <math>t_{h(MO)}</math>)</p> <p>Removed empty figure "Typical <math>I_{PU}</math> vs. <math>V_{DD}</math> with <math>V_{IN}=V_{SS}</math>" in <a href="#">section 13.8.1 on page 129</a> and modified note 3</p> <p>Modified temperature range in <a href="#">section 13.8.2 on page 130</a></p> <p>Modified <a href="#">section 13.9.1 on page 135</a></p> <p>Added "related Application notes" in <a href="#">section 13.11 on page 139</a></p> <p>Removed EMC protection circuitry in <a href="#">Figure 106 on page 136</a> (device works correctly without these components)</p> <p>Modified ADC accuracy table in <a href="#">section 13.11 on page 139</a></p> <p>Modified temperature range in <a href="#">Section 13.12</a>, <a href="#">Section 13.13</a> and <a href="#">section 13.14 on page 143</a></p> <p>Modified <a href="#">Table 27 on page 150</a></p> <p>Added note 3 to <math>E_D</math> and <math>E_L</math> in <a href="#">Table "ADC Accuracy with <math>V_{DD}=5.0V</math>" on page 140</a></p> <p>Modified <a href="#">section 14.2 on page 148</a></p> <p>Modified <a href="#">section 15.2 on page 151</a> (part numbers in QFN20 package)</p> <p>Updated <a href="#">section 15.3 on page 153</a></p> |
| 15-Sept-06 | 3        | <p>Removed QFN20 pinout and mechanical data.</p> <p>Modified description of CNTR[11:0] bits in <a href="#">section 11.2.6 on page 72</a></p> <p>Added "External Clock Source" on page 124 and <a href="#">Figure 78 on page 124</a></p> <p>Modified <a href="#">Table 1</a>.</p>  |

## ST7LITE1xB

| Date        | Revision | Main changes   |
|-------------|----------|--|
| 27-Nov-06   | 4        | Added QFN20 pinout with new mechanical data ( <a href="#">Figure 3 on page 5</a> and <a href="#">Figure 117 on page 145</a> )<br>Added ST7FLI19BY1M3TR sales type in <a href="#">Table 1, "Supported Flash part numbers,"</a><br>Modified "DEVELOPMENT TOOLS" on page 153  |
| 23-April-07 | 5        | Added note 1 to <a href="#">Table 1 on page 7</a><br>Modified note 1 in <a href="#">section 7.1 on page 23</a><br>Added caution to <a href="#">section 7.5.1 on page 28</a><br>Modified <a href="#">section 11.2.3.6 on page 67</a><br>Modified title of <a href="#">Figure 48 on page 68</a> and added note 1<br>Modified <a href="#">Figure 49 on page 69</a><br>Modified <a href="#">section 11.5.3.4 on page 97</a> and added <a href="#">section 11.5.3.5 on page 97</a><br>Modified EOC bit description in <a href="#">section 11.5.6 on page 98</a><br>Modified $V_{FFTB}$ parameter in <a href="#">section 13.7.1 on page 127</a><br>Modified <a href="#">Table 28 on page 153</a> |
| 17-June-08  | 6        | Modified first page<br>Added note 2 in <a href="#">Table 1, "Device Pin Description," on page 7</a><br>Modified WDGRF bit description in <a href="#">section 7.6.4 on page 35</a><br>Modified note 1 in <a href="#">section 11.2.3.6 on page 67</a><br>Added <a href="#">section 13.3.6 on page 120</a><br>Modified CLKSEL option bits description in <a href="#">section 15.1 on page 149</a><br>Modified <a href="#">section 15.2 on page 151</a> and option list  |

**Please Read Carefully:**

Information in this document is provided solely in connection with ST products. STMicroelectronics NV and its subsidiaries ("ST") reserve the right to make changes, corrections, modifications or improvements, to this document, and the products and services described herein at any time, without notice.

All ST products are sold pursuant to ST's terms and conditions of sale.

Purchasers are solely responsible for the choice, selection and use of the ST products and services described herein, and ST assumes no liability whatsoever relating to the choice, selection or use of the ST products and services described herein.

No license, express or implied, by estoppel or otherwise, to any intellectual property rights is granted under this document. If any part of this document refers to any third party products or services it shall not be deemed a license grant by ST for the use of such third party products or services, or any intellectual property contained therein or considered as a warranty covering the use in any manner whatsoever of such third party products or services or any intellectual property contained therein.

**UNLESS OTHERWISE SET FORTH IN ST'S TERMS AND CONDITIONS OF SALE ST DISCLAIMS ANY EXPRESS OR IMPLIED WARRANTY WITH RESPECT TO THE USE AND/OR SALE OF ST PRODUCTS INCLUDING WITHOUT LIMITATION IMPLIED WARRANTIES OF MERCHANTABILITY, FITNESS FOR A PARTICULAR PURPOSE (AND THEIR EQUIVALENTS UNDER THE LAWS OF ANY JURISDICTION), OR INFRINGEMENT OF ANY PATENT, COPYRIGHT OR OTHER INTELLECTUAL PROPERTY RIGHT.**

**UNLESS EXPRESSLY APPROVED IN WRITING BY AN AUTHORIZED ST REPRESENTATIVE, ST PRODUCTS ARE NOT RECOMMENDED, AUTHORIZED OR WARRANTED FOR USE IN MILITARY, AIR CRAFT, SPACE, LIFE SAVING, OR LIFE SUSTAINING APPLICATIONS, NOR IN PRODUCTS OR SYSTEMS WHERE FAILURE OR MALFUNCTION MAY RESULT IN PERSONAL INJURY, DEATH, OR SEVERE PROPERTY OR ENVIRONMENTAL DAMAGE. ST PRODUCTS WHICH ARE NOT SPECIFIED AS "AUTOMOTIVE GRADE" MAY ONLY BE USED IN AUTOMOTIVE APPLICATIONS AT USER'S OWN RISK.**

Resale of ST products with provisions different from the statements and/or technical features set forth in this document shall immediately void any warranty granted by ST for the ST product or service described herein and shall not create or extend in any manner whatsoever, any liability of ST.

ST and the ST logo are trademarks or registered trademarks of ST in various countries.

Information in this document supersedes and replaces all information previously supplied.

The ST logo is a registered trademark of STMicroelectronics. All other names are the property of their respective owners.

© 2008 STMicroelectronics - All rights reserved

STMicroelectronics group of companies

Australia - Belgium - Brazil - Canada - China - Czech Republic - Finland - France - Germany - Hong Kong - India - Israel - Italy - Japan - Malaysia - Malta - Morocco - Singapore - Spain - Sweden - Switzerland - United Kingdom - United States of America

**www.st.com**