



**High-Performance 8-Bit Microcontrollers**

**Z8 Encore!® F0830 Series**

**Product Specification**

PS025111-1207

Copyright ©2007 by Zilog®, Inc. All rights reserved.  
[www.zilog.com](http://www.zilog.com)



**Warning:** DO NOT USE IN LIFE SUPPORT

### **LIFE SUPPORT POLICY**

ZILOG'S PRODUCTS ARE NOT AUTHORIZED FOR USE AS CRITICAL COMPONENTS IN LIFE SUPPORT DEVICES OR SYSTEMS WITHOUT THE EXPRESS PRIOR WRITTEN APPROVAL OF THE PRESIDENT AND GENERAL COUNSEL OF ZILOG CORPORATION.

### **As used herein**

Life support devices or systems are devices which (a) are intended for surgical implant into the body, or (b) support or sustain life and whose failure to perform when properly used in accordance with instructions for use provided in the labeling can be reasonably expected to result in a significant injury to the user. A critical component is any component in a life support device or system whose failure to perform can be reasonably expected to cause the failure of the life support device or system or to affect its safety or effectiveness.

### **Document Disclaimer**

©2007 by Zilog, Inc. All rights reserved. Information in this publication concerning the devices, applications, or technology described is intended to suggest possible uses and may be superseded. ZILOG, INC. DOES NOT ASSUME LIABILITY FOR OR PROVIDE A REPRESENTATION OF ACCURACY OF THE INFORMATION, DEVICES, OR TECHNOLOGY DESCRIBED IN THIS DOCUMENT. ZILOG ALSO DOES NOT ASSUME LIABILITY FOR INTELLECTUAL PROPERTY INFRINGEMENT RELATED IN ANY MANNER TO USE OF INFORMATION, DEVICES, OR TECHNOLOGY DESCRIBED HEREIN OR OTHERWISE. The information contained within this document has been verified according to the general principles of electrical and mechanical engineering.

Z8, Z8 Encore!, Z8 Encore! XP, Z8 Encore! MC, Crimzon, eZ80, and ZNEO are trademarks or registered trademarks of Zilog, Inc. All other product or service names are the property of their respective owners.



**ISO 9001:2000  
FS 507510**

Zilog products are designed and manufactured under an ISO registered 9001:2000 Quality Management System. For more details, please visit [www.zilog.com/quality](http://www.zilog.com/quality).

## Revision History

Each instance in Revision History of this document reflects a change to this document from its previous revision. For more details, refer to the corresponding pages and appropriate links in the table below.

Date	Revision Level	Description	Page No
December 2007	11	Updated Z8 Encore! XP F0830 with Z8 Encore! F0830.	All
November 2007	10	Updated <a href="#">Table 111</a> and <a href="#">Table 117</a> .	<a href="#">178</a> , <a href="#">187</a>
September 2007	09	Updated <a href="#">Figure 2</a> , <a href="#">Figure 4</a> , <a href="#">Table 3</a> , <a href="#">Timers</a> , <a href="#">PWM SINGLE OUTPUT Mode</a> , <a href="#">PWM DUAL OUTPUT Mode</a> , <a href="#">Analog-to-Digital Converter</a> , and <a href="#">Reference Buffer</a> .	<a href="#">8</a> , <a href="#">9</a> , <a href="#">11</a> , <a href="#">65</a> , <a href="#">70</a> , <a href="#">71</a> , <a href="#">91</a> , <a href="#">94</a>
April 2007	08	Added a note under <a href="#">Table 89</a> in <a href="#">Non-Volatile Data Storage</a> chapter. Updated <a href="#">Table 116</a> and <a href="#">Table 117</a> in <a href="#">Electrical Characteristics</a> chapter. Other style updates.	ii, <a href="#">130</a> , <a href="#">186</a> , and <a href="#">187</a>
December 2006	07	Added PD0 in <a href="#">Table 14</a> in <a href="#">General Purpose Input/Output</a> chapter	<a href="#">42</a>
		Changed the number of interrupts to 17 in <a href="#">Overview</a> and <a href="#">Interrupt Controller</a> chapters	<a href="#">1,5</a> , and <a href="#">53</a>
		Updated <a href="#">Non-Volatile Data Storage</a> chapter	<a href="#">128</a>
		Updated <a href="#">Table 117</a> and <a href="#">Table 112</a> in <a href="#">Electrical Characteristics</a> chapter. Added <a href="#">Figure 24</a> in <a href="#">Oscillator Control</a> chapter	<a href="#">181</a> , <a href="#">187</a> , and <a href="#">147</a>
		Updated <a href="#">Part Number Suffix Designations</a>	<a href="#">207</a>
		Removed "Preliminary" comment	All

# Table of Contents

<b>Overview</b> .....	<b>1</b>
Features .....	1
Part Selection Guide .....	2
Block Diagram .....	2
CPU and Peripheral Overview .....	4
eZ8 CPU Features .....	4
General Purpose Input/Output .....	4
Flash Controller .....	4
Non-Volatile Data Storage .....	5
Internal Precision Oscillator .....	5
External Crystal Oscillator .....	5
10-Bit Analog-to-Digital Converter .....	5
Analog Comparator .....	5
Timers .....	5
Interrupt Controller .....	5
Reset Controller .....	6
On-Chip Debugger .....	6
Acronyms and Expansions .....	6
<b>Pin Description</b> .....	<b>7</b>
Available Packages .....	7
Pin Configurations .....	7
Signal Descriptions .....	10
Pin Characteristics .....	12
<b>Address Space</b> .....	<b>15</b>
Register File .....	15
Program Memory .....	15
Data Memory .....	16
Flash Information Area .....	17
<b>Register Map</b> .....	<b>19</b>
<b>Reset and Stop Mode Recovery</b> .....	<b>23</b>
Reset Types .....	23
Reset Sources .....	24
Power-On Reset .....	25
Voltage Brownout Reset .....	26

Watchdog Timer Reset .....	27
External Reset Input .....	27
External Reset Indicator .....	28
On-Chip Debugger Initiated Reset .....	28
Stop Mode Recovery .....	28
Stop Mode Recovery using WDT Time-Out .....	29
Stop Mode Recovery using GPIO Port Pin Transition .....	29
Stop Mode Recovery Using the External RESET Pin .....	30
Debug Pin Driven Low .....	30
Reset Register Definitions .....	30
<b>Low-Power Modes .....</b>	<b>33</b>
STOP Mode .....	33
HALT Mode .....	34
Peripheral Level Power Control .....	34
Power Control Register Definitions .....	34
<b>General Purpose Input/Output .....</b>	<b>37</b>
GPIO Port Availability by Device .....	37
Architecture .....	37
GPIO Alternate Functions .....	38
Direct LED Drive .....	39
Shared Reset Pin .....	39
Crystal Oscillator Override .....	39
5 V Tolerance .....	39
External Clock Setup .....	40
GPIO Interrupts .....	42
GPIO Control Register Definitions .....	43
Port A–D Address Registers .....	44
Port A–D Control Registers .....	44
Port A–D Data Direction Subregisters .....	45
Port A–D Alternate Function Subregisters .....	45
Port A–C Input Data Registers .....	49
Port A–D Output Data Register .....	50
LED Drive Enable Register .....	50
LED Drive Level High Register .....	51
LED Drive Level Low Register .....	51
<b>Interrupt Controller .....</b>	<b>53</b>
Interrupt Vector Listing .....	53

Architecture .....	55
Operation .....	55
Master Interrupt Enable .....	55
Interrupt Vectors and Priority .....	56
Interrupt Assertion .....	56
Software Interrupt Assertion .....	57
Interrupt Control Register Definitions .....	57
Interrupt Request 0 Register .....	57
Interrupt Request 1 Register .....	58
Interrupt Request 2 Register .....	59
IRQ0 Enable High and Low Bit Registers .....	59
IRQ1 Enable High and Low Bit Registers .....	61
IRQ2 Enable High and Low Bit Registers .....	62
Interrupt Edge Select Register .....	63
Shared Interrupt Select Register .....	63
Interrupt Control Register .....	64
<b>Timers .....</b>	<b>65</b>
Architecture .....	65
Operation .....	66
Timer Operating Modes .....	66
Reading the Timer Count Values .....	78
Timer Pin Signal Operation .....	78
Timer Control Register Definitions .....	78
Timer 0–1 High and Low Byte Registers .....	78
Timer Reload High and Low Byte Registers .....	79
Timer 0-1 PWM High and Low Byte Registers .....	80
Timer 0–1 Control Registers .....	81
<b>Watchdog Timer .....</b>	<b>85</b>
Operation .....	85
Watchdog Timer Refresh .....	86
Watchdog Timer Time-Out Response .....	86
Watchdog Timer Reload Unlock Sequence .....	87
Watchdog Timer Control Register Definitions .....	88
Watchdog Timer Control Register .....	88
Watchdog Timer Reload Upper, High, and Low Byte Registers .....	88
<b>Analog-to-Digital Converter .....</b>	<b>91</b>
Architecture .....	91
Operation .....	92
ADC Timing .....	93

ADC Interrupt .....	94
Reference Buffer .....	94
Internal Voltage Reference Generator .....	94
Calibration and Compensation .....	94
ADC Control Register Definitions .....	94
ADC Control Register 0 .....	94
ADC Data High Byte Register .....	95
ADC Data Low Bits Register .....	96
Sample Settling Time Register .....	97
Sample Time Register .....	98
<b>Comparator .....</b>	<b>99</b>
Operation .....	99
Comparator Control Register Definitions .....	99
<b>Flash Memory .....</b>	<b>101</b>
Data Memory Address Space .....	105
Flash Information Area .....	105
Operation .....	106
Flash Operation Timing Using the Flash Frequency Registers .....	108
Flash Code Protection Against External Access .....	108
Flash Code Protection Against Accidental Program and Erasure .....	108
Byte Programming .....	110
Page Erase .....	110
Mass Erase .....	110
Flash Controller Bypass .....	111
Flash Controller Behavior in Debug Mode .....	111
NVDS Operational Requirements .....	111
Flash Control Register Definitions .....	112
Flash Control Register .....	112
Flash Status Register .....	113
Flash Page Select Register .....	113
Flash Sector Protect Register .....	114
Flash Frequency High and Low Byte Registers .....	115
<b>Flash Option Bits .....</b>	<b>117</b>
Operation .....	117
Option Bit Configuration by Reset .....	117
Option Bit Types .....	118
Flash Option Bit Control Register Definitions .....	118
Trim Bit Address Register .....	118

Trim Bit Data Register .....	119
Flash Option Bit Address Space .....	119
Flash Program Memory Address 0000H .....	120
Flash Program Memory Address 0001H .....	121
Trim Bit Address Space .....	122
Trim Bit Address 0000H .....	122
Trim Bit Address 0001H .....	122
Trim Bit Address 0002H .....	123
Trim Bit Address 0003H .....	123
<b>Non-Volatile Data Storage .....</b>	<b>127</b>
Operation .....	127
NVDS Code Interface .....	127
Byte Write .....	128
Byte Read .....	128
Power Failure Protection .....	129
Optimizing NVDS Memory Usage for Execution Speed .....	130
<b>On-Chip Debugger .....</b>	<b>131</b>
Architecture .....	131
Operation .....	132
OCD Interface .....	132
DEBUG Mode .....	133
OCD Data Format .....	134
OCD Auto-Baud Detector/Generator .....	134
OCD Serial Errors .....	135
Breakpoints .....	135
Runtime Counter .....	135
On-Chip Debugger Commands .....	136
On-Chip Debugger Control Register Definitions .....	140
OCD Control Register .....	140
OCD Status Register .....	142
<b>Oscillator Control .....</b>	<b>143</b>
Operation .....	143
System Clock Selection .....	143
Clock Failure Detection and Recovery .....	145
Oscillator Control Register Definitions .....	146
<b>Crystal Oscillator .....</b>	<b>149</b>
Operating Modes .....	149
Crystal Oscillator Operation .....	149



Oscillator Operation with an External RC Network .....	151
<b>Internal Precision Oscillator .....</b>	<b>153</b>
Operation .....	153
<b>eZ8 CPU Instruction Set .....</b>	<b>155</b>
Assembly Language Programming Introduction .....	155
Assembly Language Syntax .....	156
eZ8 CPU Instruction Notation .....	156
eZ8 CPU Instruction Classes .....	158
eZ8 CPU Instruction Summary .....	163
<b>Opcode Maps .....</b>	<b>172</b>
<b>Electrical Characteristics .....</b>	<b>177</b>
Absolute Maximum Ratings .....	177
DC Characteristics .....	178
AC Characteristics .....	181
On-Chip Peripheral AC and DC Electrical Characteristics .....	183
General Purpose I/O Port Input Data Sample Timing .....	188
General Purpose I/O Port Output Timing .....	189
On-Chip Debugger Timing .....	190
<b>Packaging .....</b>	<b>193</b>
<b>Ordering Information .....</b>	<b>201</b>
Part Number Suffix Designations .....	207
<b>Register Tables .....</b>	<b>209</b>
General Purpose RAM .....	209
Timer 0 .....	209
Analog-to-Digital Converter .....	213
Low Power Control .....	217
LED Controller .....	217
Oscillator Control .....	218
Comparator 0 .....	218
Interrupt Controller .....	219
GPIO Port A .....	222
Watchdog Timer .....	226
Trim Bit Control .....	228
Flash Memory Controller .....	228
eZ8 CPU .....	230



Opcode Maps .....	230
<b>Index .....</b>	<b>233</b>
<b>Customer Support .....</b>	<b>241</b>

# Overview

Zilog's Z8 Encore!® MCU family of products are the first in a line of Zilog® microcontroller products based on the 8-bit eZ8 CPU. The Z8 Encore! F0830 Series products expand on Zilog's extensive line of 8-bit microcontrollers. The Flash in-circuit programming capability allows for faster development time and program changes in the field. The new eZ8 CPU is upward compatible with existing Z8® CPU instructions. The rich peripheral set of Z8 Encore! F0830 Series makes it suitable for a variety of applications including motor control, security systems, home appliances, personal electronic devices, and sensors.

## Features

The key features of Z8 Encore! F0830 Series MCU include:

- 20 MHz eZ8 CPU
- Up to 12 KB Flash memory with in-circuit programming capability
- Up to 256 B register RAM
- 64 B Non-Volatile Data Storage (NVDS)
- Up to 25 I/O pins depending upon package
- Internal Precision Oscillator (IPO)
- External crystal oscillator
- Two enhanced 16-bit timers with capture, compare, and PWM capability
- Watchdog Timer (WDT) with dedicated internal RC oscillator
- Single-pin, On-Chip Debugger (OCD)
- Optional 8-channel, 10-bit Analog-to-Digital Converter (ADC)
- On-chip analog comparator
- Up to 17 interrupt sources
- Voltage Brownout (VBO) protection
- Power-On Reset (POR)
- 2.7 V to 3.6 V operating voltage
- Up to thirteen 5 V tolerant input pins
- 20- and 28-pin packages

- 0 °C to +70 °C standard temperature range and -40 °C to +105 °C extended temperature operating ranges

## Part Selection Guide

Table 1 lists the basic features available for each device within the Z8 Encore!® F0830 Series product line. See [Ordering Information](#) on page 201 for details.

**Table 1. Z8 Encore! F0830 Series Family Part Selection Guide**

Part Number	Flash (KB)	RAM (B)	NVDS (64B)	ADC
Z8F1232	12	256	No	Yes
Z8F1233	12	256	No	No
Z8F0830	8	256	Yes	Yes
Z8F0831	8	256	Yes	No
Z8F0430	4	256	Yes	Yes
Z8F0431	4	256	Yes	No
Z8F0230	2	256	Yes	Yes
Z8F0231	2	256	Yes	No
Z8F0130	1	256	Yes	Yes
Z8F0131	1	256	Yes	No

## Block Diagram

Figure 1 on page 3 displays the block diagram of the architecture of Z8 Encore! F0830 Series devices.

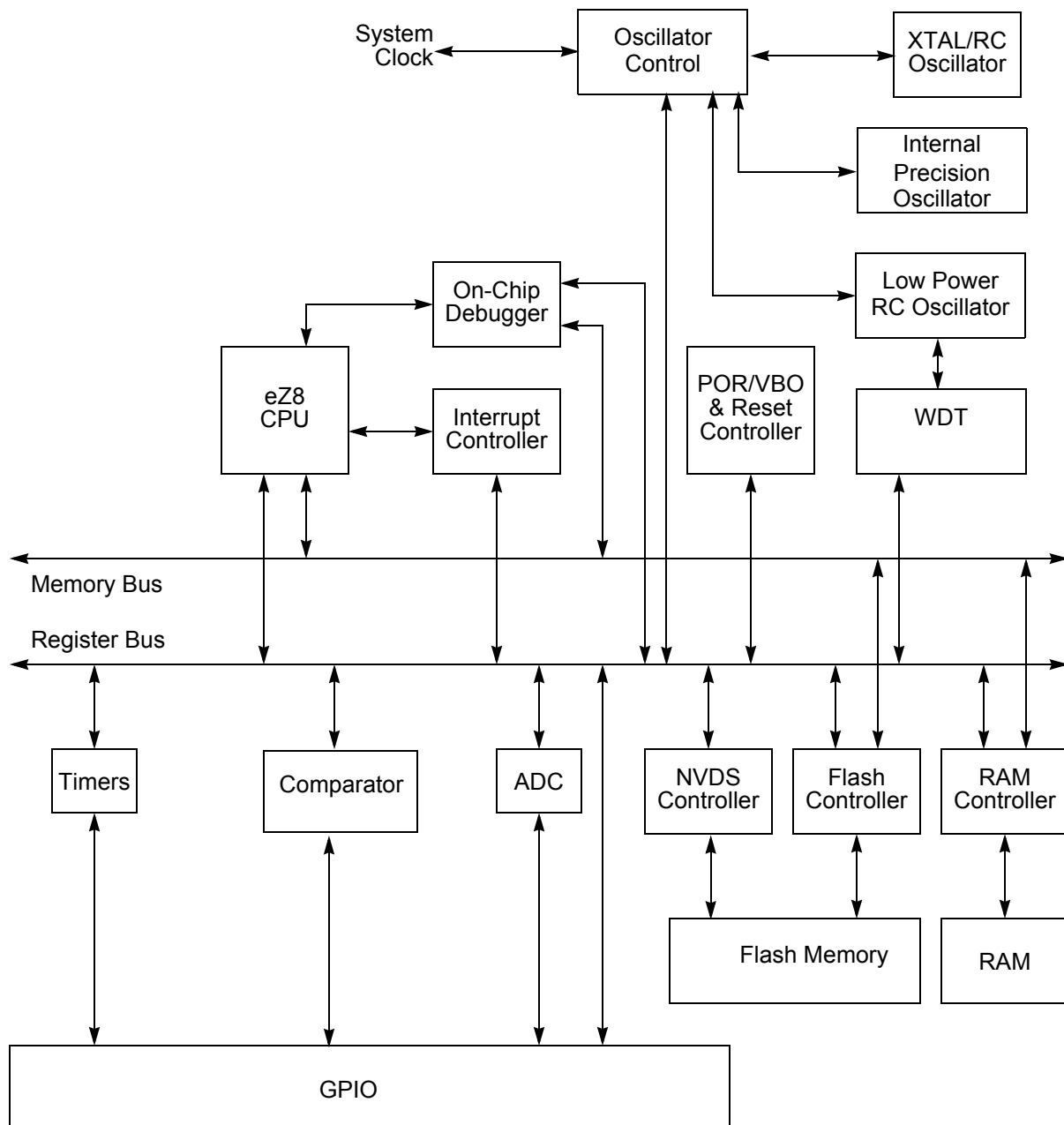


Figure 1. Z8 Encore!® F0830 Series Block Diagram

## CPU and Peripheral Overview

### eZ8 CPU Features

The eZ8 CPU, Zilog's latest 8-bit CPU meets the continuing demand for faster and more code-efficient microcontrollers. The eZ8 CPU executes a superset of the original Z8® instruction set. The eZ8 CPU features include:

- Direct register-to-register architecture allows each register to function as an accumulator, improving execution time and decreasing the required program memory.
- Software stack allows much greater depth in subroutine calls and interrupts than hardware stacks.
- Compatible with existing Z8® CPU code.
- Expanded internal register file allows access up to 4 KB.
- New instructions improve execution efficiency for code developed using high-level programming languages, including C.
- Pipelined instruction fetch and execution.
- New instructions for improved performance including BIT, BSWAP, BTJ, CPC, LDC, LDCI, LEA, MULT, and SRL.
- New instructions support 12-bit linear addressing of the register file.
- Up to 10 MIPS operation.
- C-compiler friendly.
- 2 to 9 clock cycles per instruction.

For more information regarding the eZ8 CPU, refer to *eZ8 CPU Core User Manual (UM0128)* available for download at [www.zilog.com](http://www.zilog.com).

### General Purpose Input/Output

The Z8 Encore! F0830 Series features up to 25 port pins (Ports A–D) for general purpose input/output (GPIO). The number of GPIO pins available is a function of package. Each pin is individually programmable.

### Flash Controller

The Flash controller programs and erases the Flash memory. It also supports protection against accidental programming and erasure.

## Non-Volatile Data Storage

The Non-Volatile Data Storage (NVDS) uses a hybrid hardware/software scheme to implement a byte-programmable data memory and is capable of storing about 100,000 write cycles.

## Internal Precision Oscillator

The Internal Precision Oscillator (IPO) with accuracy of +/- 4% full voltage/temperature range is a trimable clock source that requires no external components.

## External Crystal Oscillator

The crystal oscillator circuit provides highly accurate clock frequencies using an external crystal, ceramic resonator, or RC network.

## 10-Bit Analog-to-Digital Converter

The optional Analog-to-Digital Converter (ADC) converts an analog input signal to a 10-bit binary number. The ADC accepts inputs from eight different analog input pins.

## Analog Comparator

The analog comparator compares the signal at an input pin with either an internal programmable reference voltage or with a signal at the second input pin. The comparator output is used either to drive a logic output pin or to generate an interrupt.

## Timers

Two enhanced 16-bit re-loadable timers can be used for Timing/Counting events or for motor control operations. These timers provide a 16-bit programmable reload counter and operate in ONE-SHOT, CONTINUOUS, GATED, CAPTURE, CAPTURE RESTART, COMPARE, CAPTURE and COMPARE, PWM SINGLE OUTPUT and PWM DUAL OUTPUT modes.

## Interrupt Controller

The Z8 Encore! F0830 Series products support seventeen interrupt sources with sixteen interrupt vectors: up to five internal peripheral interrupts and up to twelve GPIO interrupts. These interrupts have three levels of programmable interrupt priority.

## Reset Controller

The Z8 Encore!® F0830 Series products are reset using any one of the following: the  $\overline{\text{RESET}}$  pin, Power-on reset, Watchdog Timer ( $\overline{\text{WDT}}$ ) time-out, STOP mode exit, or Voltage Brownout (VBO) warning signal. The  $\overline{\text{RESET}}$  pin is bidirectional, that is, it functions as reset source as well as a reset indicator.

## On-Chip Debugger

The Z8 Encore! F0830 Series products feature an integrated On-Chip Debugger (OCD). The OCD provides a rich set of debugging capabilities, such as reading and writing registers, programming Flash memory, setting breakpoints and executing code. The OCD uses one single-pin interface for communication with an external host.

## Acronyms and Expansions

This document uses the following acronyms and expansions.

Acronyms	Expansions
ADC	Analog-to-Digital Converter
NVDS	Non-Volatile Data Storage
WDT	Watchdog Timer
GPIO	General-Purpose Input/Output
OCD	On-Chip Debugger
POR	Power-On Reset
VBO	Voltage Brownout
IPO	Internal Precision Oscillator
PDIP	Plastic Dual Inline Package
SOIC	Small Outline Integrated Circuit
SSOP	Small Shrink Outline Package
QFN	Quad Flat No Lead
IRQ	Interrupt request
ISR	Interrupt service routine
MSB	Most significant byte
LSB	Least significant byte
PWM	Pulse Width Modulation
SAR	Successive Approximation Register



# Pin Description

The Z8 Encore!® F0830 Series products are available in a variety of package styles and pin configurations. This chapter describes the signals and the pin configurations for each of the package styles. For information regarding the physical package specifications, see [Packaging](#) on page 193.

## Available Packages

[Table 2](#) lists the package styles that are available for each device in the Z8 Encore! F0830 Series product line.

**Table 2. Z8 Encore! F0830 Series Package Options**

Part Number	ADC	20-pin QFN	20-pin SOIC	20-pin SSOP	20-pin PDIP	28-pin QFN	28-pin SOIC	28-pin SSOP	28-pin PDIP
Z8F1232	Yes	X	X	X	X	X	X	X	X
Z8F1233	No	X	X	X	X	X	X	X	X
Z8F0830	Yes	X	X	X	X	X	X	X	X
Z8F0831	No	X	X	X	X	X	X	X	X
Z8F0430	Yes	X	X	X	X	X	X	X	X
Z8F0431	No	X	X	X	X	X	X	X	X
Z8F0230	Yes	X	X	X	X	X	X	X	X
Z8F0231	No	X	X	X	X	X	X	X	X
Z8F0130	Yes	X	X	X	X	X	X	X	X
Z8F0131	No	X	X	X	X	X	X	X	X

## Pin Configurations

[Figure 2](#) and [Figure 3](#) display the pin configurations of all the packages available in the Z8 Encore! F0830 Series. See [Table 3](#) for the description of the signals. The analog input Alternate functions (ANAx) are not available on the following devices:

- Z8F0831
- Z8F0431
- Z8F0131

- Z8F0231
- Z8F1233

The analog supply pins ( $AV_{DD}$  and  $AV_{SS}$ ) are also not available on these parts, and are replaced by PB6 and PB7.

At reset, by default, all pins of Port A, B and C are in Input state. The alternate functionality is also disabled, so the pins function as general purpose input ports until programmed otherwise. At power-up, the Port D0 pin defaults to the RESET Alternate function.

The pin configurations listed are preliminary and subject to change based on manufacturing limitations.

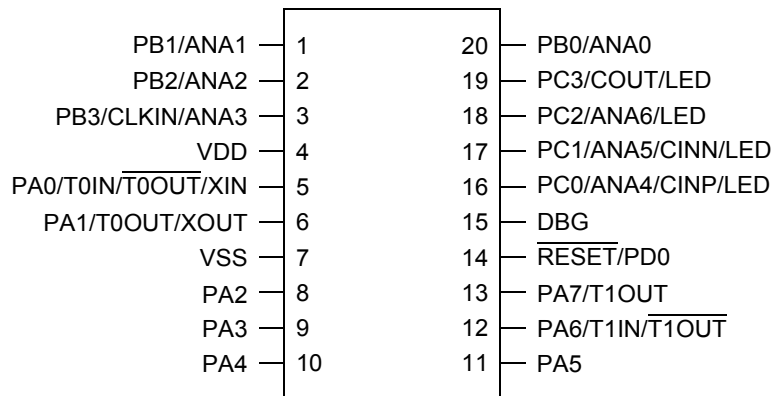


Figure 2. Z8F0830 Series in 20-Pin SOIC, SSOP, PDIP Package

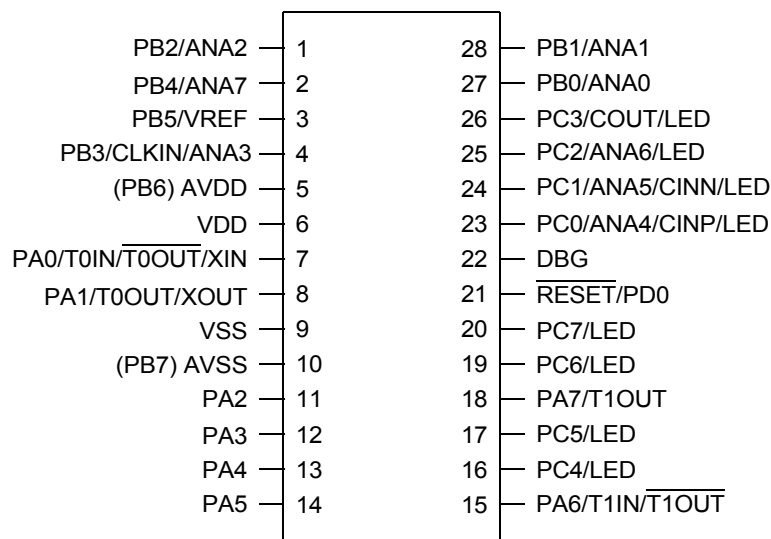


Figure 3. Z8F0830 Series in 28-Pin SOIC, SSOP, PDIP Package

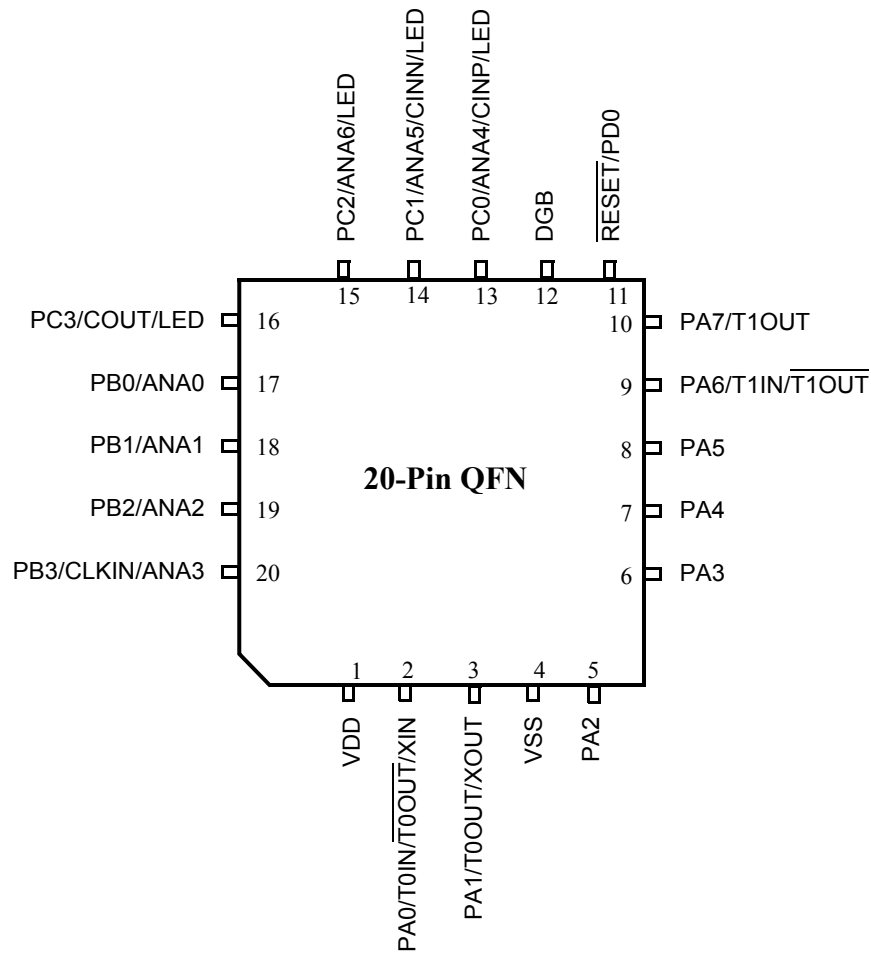


Figure 4. Z8F0830 Series in 20-Pin QFN Package

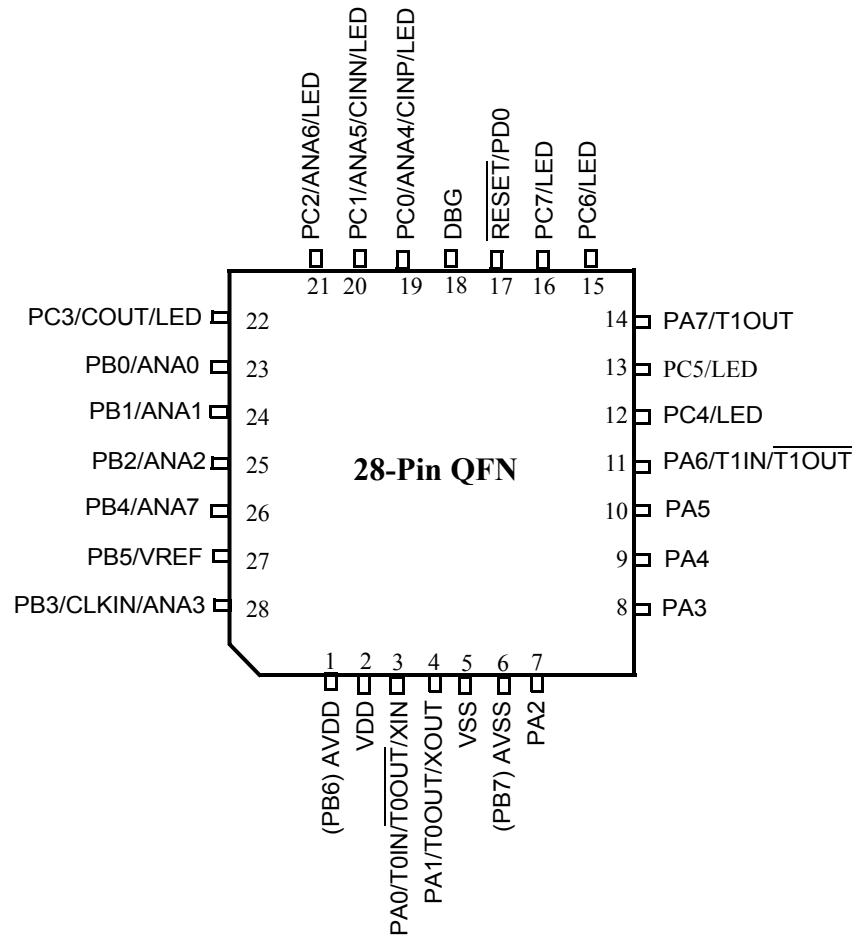


Figure 5. Z8F0830 Series in 28-Pin QFN Package


## Signal Descriptions

Table 3 describes the Z8 Encore! F0830 Series signals. See [Pin Configurations](#) on page 7 to determine the signals available for the specific package styles.

Table 3. Signal Descriptions

Signal Mnemonic	I/O	Description
<b>General-Purpose I/O Ports A–D</b>		
PA[7:0]	I/O	Port A. These pins are used for general purpose I/O.
PB[7:0]	I/O	Port B. These pins are used for general purpose I/O. PB6 and PB7 are available only in those devices without an ADC.
PC[7:0]	I/O	Port C. These pins are used for general purpose I/O.
PD[0]	I/O	Port D. This pin is used for general purpose output only.
<b>Note:</b> PB6 and PB7 are only available in 28-pin packages without ADC. In 28-pin packages with ADC, they are replaced by AV <sub>DD</sub> and AV <sub>SS</sub> .		
<b>Timers</b>		
T0OUT/T1OUT	O	Timer output 0–1. These signals are the output from the timers.
$\overline{T0OUT}/\overline{T1OUT}$	O	Timer complement output 0–1. These signals are output from the timers in PWM DUAL OUTPUT mode.
T0IN/T1IN	I	Timer Input 0–1. These signals are used as the capture, gating and counter inputs. The T0IN signal is multiplexed $\overline{T0OUT}$ signals.
<b>Comparator</b>		
CINP/CINN	I	Comparator inputs. These signals are the positive and negative inputs to the comparator.
COUT	O	Comparator output. This is the output of the comparator.
<b>Analog</b>		
ANA[7:0]	I	Analog port. These signals are used as inputs to the analog-to-digital converter (ADC).
VREF	I/O	Analog-to-digital converter reference voltage input.
		► <b>Note:</b> <i>When configuring ADC using external Vref, PB5 is used as VREF in 28-pin package.</i>
<b>Oscillators</b>		
XIN	I	External crystal input. This is the input pin to the crystal oscillator. A crystal can be connected between it and the XOUT pin to form the oscillator. In addition, this pin is used with external RC networks or external clock drivers to provide the system clock.
XOUT	O	External crystal output. This pin is the output of the crystal oscillator. A crystal can be connected between it and the XIN pin to form the oscillator.

**Table 3. Signal Descriptions (Continued)**

Signal Mnemonic	I/O	Description
<b>Clock Input</b>		
CLKIN	I	Clock input signal. This pin may be used to input a TTL-level signal to be used as the system clock.
<b>LED Drivers</b>		
LED	O	Direct LED drive capability. All port C pins have the capability to drive an LED without any other external components. These pins have programmable drive strengths set by the GPIO block.
<b>On-Chip Debugger</b>		
DBG	I/O	Debug. This signal is the control and data input and output to and from the On-Chip Debugger.
		 <b>Caution:</b> <i>The DBG pin is open-drain and requires an external pull-up resistor to ensure proper operation.</i>
<b>Reset</b>		
RESET	I/O	RESET. Generates a reset when asserted (driven Low). Also serves as a reset indicator; the Z8 Encore!® forces this pin low when in reset. This pin is open-drain and features an enabled internal pull-up resistor.
<b>Power Supply</b>		
V <sub>DD</sub>	I	Digital power supply.
AV <sub>DD</sub>	I	Analog power supply.
V <sub>SS</sub>	I	Digital ground.
AV <sub>SS</sub>	I	Analog ground.
<b>Note:</b> The AV <sub>DD</sub> and AV <sub>SS</sub> signals are available only in the 28-pin packages with ADC. They are replaced by PB6 and PB7 on 28-pin packages without ADC.		

## Pin Characteristics

Table 4 provides detailed characteristics of each pin available on the Z8 Encore! F0830 Series 20- and 28-pin devices. Data in Table 4 are sorted alphabetically by the pin symbol mnemonic.

**Table 4. Pin Characteristics (20- and 28-pin Devices)**

Symbol Mnemonic	Direction	Reset Direction	Active Low or Active High	Tristate Output	Internal Pull- up or Pull- down	Schmitt- Trigger Input	Open Drain Output	5 V Tolerance
AVDD	N/A	N/A	N/A	N/A	N/A	N/A	N/A	N/A
AVSS	N/A	N/A	N/A	N/A	N/A	N/A	N/A	NA
DBG	I/O	I	N/A	Yes	No	Yes	Yes	Yes
PA[7:0]	I/O	I	N/A	Yes	Programmable Pull-up	Yes	Yes, Programmable	PA[7:2] only
PB[7:0]	I/O	I	N/A	Yes	Programmable Pull-up	Yes	Yes, Programmable	PB[7:6] only
PC[7:0]	I/O	I	N/A	Yes	Programmable Pull-up	Yes	Yes, Programmable	PC[7:3] only
RESET/ PD0	I/O	I/O (defaults to <u>RESET</u> )	Low (in RESET mode)	Yes (PD0 only)	Programmable for PD0; always on for <u>RESET</u>	Yes	Programmable for PD0; always on for <u>RESET</u>	Yes
VDD	N/A	N/A	N/A	N/A			N/A	N/A
VSS	N/A	N/A	N/A	N/A			N/A	N/A

► **Note:** *PB6 and PB7 are available only in devices without ADC.*





# Address Space

The eZ8 CPU can access three distinct address spaces as follows:

- The register file addresses access for the general purpose registers and the eZ8 CPU, peripheral, and general purpose I/O port control registers.
- The program memory addresses access for all the memory locations having executable code and/or data.
- The data memory addresses access for all the memory locations containing only the data.

The following sections describe about these three address spaces. For more detailed information regarding the eZ8 CPU and its address space, refer to *eZ8 CPU Core User Manual (UM0128)* available for download at [www.zilog.com](http://www.zilog.com).

## Register File

The register file address space in the Z8 Encore!® MCU is 4 KB (4096 bytes). The register file consists of two sections: control registers and general purpose registers. When instructions are executed, registers defined as source are read and registers defined as destinations are written. The architecture of the eZ8 CPU allows all general purpose registers to function as accumulators, address pointers, index registers, stack areas, or scratch pad memory.

The upper 256 bytes of the 4 KB register file address space are reserved for controlling the eZ8 CPU, on-chip peripherals, and the I/O ports. These registers are located at addresses from `F00H` to `FFFH`. Some of the addresses within the 256 B control register section are reserved (unavailable). Reading from a reserved register file address returns an undefined value. Writing to reserved register file addresses is not recommended and can produce unpredictable results.

The on-chip RAM always begins at address `000H` in the register file address space. The Z8 Encore!® F0830 Series devices contain up to 256 B of on-chip RAM. Reading from register file addresses outside the available RAM addresses (and not within the control register address space), returns an undefined value. Writing to these register file addresses has no effect.

## Program Memory

The eZ8 CPU supports 64 KB of program memory address space. The Z8 Encore! F0830 Series device contain 1 KB to 12 KB of on-chip Flash memory in the program memory address space, depending on the device. Reading from program memory addresses outside

the available Flash memory addresses returns FFH. Writing to these unimplemented program memory addresses produces no effect. [Table 5](#) describes the program memory maps for the Z8 Encore!® F0830 Series products.

**Table 5. Z8 Encore! F0830 Series Program Memory Maps**

Program Memory Address (Hex)	Function
<b>Z8F0830 and Z8F0831 Products</b>	
0000–0001	Flash Option Bits
0002–0003	Reset Vector
0004–003D	Interrupt Vectors*
003E–1FFF	Program Memory
<b>Z8F0430 and Z8F0431 Products</b>	
0000–0001	Flash Option Bits
0002–0003	Reset Vector
0004–003D	Interrupt Vectors*
003E–0FFF	Program Memory
<b>Z8F0130 and Z8F0131 Products</b>	
0000–0001	Flash Option Bits
0002–0003	Reset Vector
0004–003D	Interrupt Vectors*
003E–03FF	Program Memory
<b>Z8F0230 and Z8F0231 Products</b>	
0000–0001	Flash Option Bits
0002–0003	Reset Vector
0004–003D	Interrupt Vectors*
003E–07FF	Program Memory

\* See [Table 31](#) on page 54 for a list of interrupt vectors.

## Data Memory

The Z8 Encore! F0830 Series does not use the eZ8 CPU's 64 KB data memory address space.

## Flash Information Area

Table 6 describes the Z8 Encore!® F0830 Series Flash information area. The 128 byte information area is accessed, by setting bit 7 of the Flash page select register to 1. When access is enabled, the Flash information area is mapped into the program memory and overlays the 128 bytes at addresses FE00H to FE7FH. When the information area access is enabled, all reads from these program memory addresses return the information area data rather than the program memory data. Access to the Flash information area is read-only.

**Table 6. Z8 Encore! F0830 Series Flash Memory Information Area Map**

Program Memory Address (Hex)	Function
FE00–FE3F	Zilog option bits
FE40–FE53	Part Number 20-character ASCII alphanumeric code Left justified and filled with FH
FE54–FE5F	Reserved
FE60–FE7F	Reserved
FE80–FFFF	Reserved



# Register Map

Table 7 provides the address map for the register file of the Z8 Encore!® F0830 Series devices. Not all devices and package styles in the Z8 Encore! F0830 Series support the ADC, or all of the GPIO Ports. Consider registers for unimplemented peripherals as reserved.

**Table 7. Register File Address Map**

Address (Hex)	Register Description	Mnemonic	Reset (Hex)	Page No
<b>General Purpose RAM</b>				
000–0FF	General purpose register file RAM	—	XX	
100–EFF	Reserved	—	XX	
<b>Timer 0</b>				
F00	Timer 0 high byte	T0H	00	78
F01	Timer 0 low byte	T0L	01	79
F02	Timer 0 reload high byte	T0RH	FF	79
F03	Timer 0 reload low byte	T0RL	FF	79
F04	Timer 0 PWM high byte	T0PWMH	00	80
F05	Timer 0 PWM low byte	T0PWML	00	80
F06	Timer 0 control 0	T0CTL0	00	81
F07	Timer 0 control 1	T0CTL1	00	82
<b>Timer 1</b>				
F08	Timer 1 high byte	T1H	00	78
F09	Timer 1 low byte	T1L	01	79
F0A	Timer 1 reload high byte	T1RH	FF	79
F0B	Timer 1 reload low byte	T1RL	FF	79
F0C	Timer 1 PWM high byte	T1PWMH	00	80
F0D	Timer 1 PWM low byte	T1PWML	00	80
F0E	Timer 1 control 0	T1CTL0	00	81
F0F	Timer 1 control 1	T1CTL1	00	78
F10–F6F	Reserved	—	XX	
<b>Analog-to-Digital Converter (ADC)</b>				
F70	ADC control 0	ADCCTL0	00	94
F71	Reserved	—	XX	
F72	ADC data high byte	ADCD_H	XX	96
XX=Undefined				

Table 7. Register File Address Map (Continued)

Address (Hex)	Register Description	Mnemonic	Reset (Hex)	Page No
F73	ADC data low bits	ADCD_L	XX	96
F74	ADC sample settling time	ADCSST	0F	97
F75	ADC sample time	ADCST	3F	98
F76	Reserved	—	XX	
F77–F7F	Reserved	—	XX	
<b>Low Power Control</b>				
F80	Power control 0	PWRCTL0	88	35
F81	Reserved	—	XX	
<b>LED Controller</b>				
F82	LED drive enable	LEDEN	00	50
F83	LED drive level high	LEDLVLH	00	51
F84	LED drive level low	LEDLVLL	00	51
F85	Reserved	—	XX	
<b>Oscillator Control</b>				
F86	Oscillator control	OSCCTL	A0	146
F87–F8F	Reserved	—	XX	
<b>Comparator 0</b>				
F90	Comparator 0 control	CMP0	14	100
F91–FBF	Reserved	—	XX	
<b>Interrupt Controller</b>				
FC0	Interrupt request 0	IRQ0	00	58
FC1	IRQ0 enable high bit	IRQ0ENH	00	60
FC2	IRQ0 enable low Bit	IRQ0ENL	00	60
FC3	Interrupt request 1	IRQ1	00	58
FC4	IRQ1 enable high bit	IRQ1ENH	00	61
FC5	IRQ1 enable low bit	IRQ1ENL	00	61
FC6	Interrupt request 2	IRQ2	00	59
FC7	IRQ2 enable high bit	IRQ2ENH	00	62
FC8	IRQ2 enable low bit	IRQ2ENL	00	62
FC9–FCC	Reserved	—	XX	
FCD	Interrupt edge select	IRQES	00	63
FCE	Shared interrupt select	IRQSS	00	63
FCF	Interrupt control	IRQCTL	00	64
<b>GPIO Port A</b>				
XX=Undefined				

**Table 7. Register File Address Map (Continued)**

Address (Hex)	Register Description	Mnemonic	Reset (Hex)	Page No
FD0	Port A address	PAADDR	00	43
FD1	Port A control	PACTL	00	45
FD2	Port A input data	PAIN	XX	45
FD3	Port A output data	PAOUT	00	45
<b>GPIO Port B</b>				
FD4	Port B address	PBADDR	00	43
FD5	Port B control	PBCTL	00	45
FD6	Port B input data	PBIN	XX	45
FD7	Port B output data	PBOUT	00	45
<b>GPIO Port C</b>				
FD8	Port C address	PCADDR	00	43
FD9	Port C control	PCCTL	00	45
FDA	Port C input data	PCIN	XX	45
FDB	Port C output data	PCOUT	00	45
<b>GPIO Port D</b>				
FDC	Port D address	PDADDR	00	43
FDD	Port D control	PDCTL	00	45
FDE	Reserved	—	XX	
FDF	Port D output data	PDOUT	00	45
FE0–FEF	Reserved	—	XX	
<b>Watchdog Timer (WDT)</b>				
FF0	Reset status	RSTSTAT	XX	88
	Watchdog Timer control	WDTCTL	XX	88
FF1	Watchdog Timer reload upper byte	WDTU	FF	89
FF2	Watchdog Timer reload high byte	WDTH	FF	89
FF3	Watchdog Timer reload low byte	WDTL	FF	89
FF4–FF5	Reserved	—	XX	
<b>Trim Bit Control</b>				
FF6	Trim bit address	TRMADR	00	119
FF7	Trim data	TRMDR	XX	119
<b>Flash Memory Controller</b>				
FF8	Flash control	FCTL	00	112
FF8	Flash status	FSTAT	00	113
XX=Undefined				

**Table 7. Register File Address Map (Continued)**

Address (Hex)	Register Description	Mnemonic	Reset (Hex)	Page No
FF9	Flash page select	FPS	00	114
	Flash sector protect	FPROT	00	114
FFA	Flash programming frequency high byte	FFREQH	00	115
FFB	Flash programming frequency low byte	FFREQL	00	115
<b>eZ8 CPU</b>				
FFC	Flags	—	XX	Refer to eZ8
FFD	Register pointer	RP	XX	CPU Core
FFE	Stack pointer high byte	SPH	XX	User Manual
FFF	Stack pointer low byte	SPL	XX	(UM0128)
XX=Undefined				



# Reset and Stop Mode Recovery

The reset controller in the Z8 Encore!® F0830 Series controls RESET and Stop Mode Recovery operations. In a typical operation, the following events can cause a reset:

- Power-On Reset (POR)
- Voltage Brownout (VBO)
- Watchdog Timer time-out (when configured by the WDT\_RES Flash option bit to initiate a reset).
- External  $\overline{\text{RESET}}$  pin assertion (when the alternate RESET function is enabled by the GPIO register).
- On-Chip Debugger initiated reset (OCDCTL[0] set to 1).

When the device is in STOP mode, a Stop Mode Recovery is initiated by either of the following:

- Watchdog Timer time-out.
- GPIO port input pin transition on an enabled Stop Mode Recovery source.

The VBO circuitry on the device generates the VBO reset when the supply voltage drops below a minimum safe level.

## Reset Types

The Z8 Encore! F0830 Series provides different types of Reset operation. Stop Mode Recovery is considered as a form of reset. [Table 8](#) lists the types of reset and their operating characteristics. The system reset is longer, if the external crystal oscillator is enabled by the Flash option bits, allowing additional time for oscillator start-up.

**Table 8. Reset and Stop Mode Recovery Characteristics and Latency**

Reset Characteristics and Latency			
Reset Type	Control Registers	eZ8 CPU	Reset Latency (Delay)
System Reset	Reset (as applicable)	Reset	About 66 Internal Precision Oscillator Cycles
System Reset with Crystal Oscillator Enabled	Reset (as applicable)	Reset	About 5000 Internal Precision Oscillator Cycles

**Table 8. Reset and Stop Mode Recovery Characteristics and Latency (Continued)**

Reset Type	Reset Characteristics and Latency		
	Control Registers	eZ8 CPU	Reset Latency (Delay)
Stop Mode Recovery	Unaffected, except WDT_CTL and OSC_CTL registers	Reset	About 66 Internal Precision Oscillator cycles
Stop Mode Recovery with crystal oscillator enabled	Unaffected, except WDT_CTL and OSC_CTL registers	Reset	About 5000 Internal Precision Oscillator cycles

During a system RESET or Stop Mode Recovery, the Z8 Encore!® F0830 Series device is held in reset for about 66 cycles of the Internal Precision Oscillator. If the crystal oscillator is enabled in the Flash option bits, the reset period is increased to about 5000 IPO cycles. When a reset occurs because of a low voltage condition or Power-On Reset, the reset delay is measured from the time that the supply voltage first exceeds the POR level (discussed later in this chapter). If the external pin reset remains asserted at the end of the reset period, the device remains in reset until the pin is deasserted.

At the beginning of reset, all GPIO pins are configured as inputs with pull-up resistor disabled, except PD0 which is shared with the reset pin. On reset, the port D0 pin is configured as a bidirectional open-drain reset. This pin is internally driven low during port reset, after which the user code may reconfigure this pin as a general purpose output.

During reset, the eZ8 CPU and on-chip peripherals are idle; however, the on-chip crystal oscillator and Watchdog Timer Oscillator continues to run.

On reset, control registers within the register file that have a defined reset value are loaded with their reset values. Other control registers (including the Stack Pointer, Register Pointer, and Flags) and general purpose RAM are undefined following the reset. The eZ8 CPU fetches the reset vector at program memory addresses 0002H and 0003H and loads that value into the program counter. Program execution begins at the reset vector address.

Because the control registers are re-initialized by a system reset, the system clock after reset is always the IPO. User software must reconfigure the oscillator control block, to enable and select the correct system clock source.

## Reset Sources

Table 9 on page 25 lists the possible sources of a system reset.

**Table 9. Reset Sources and Resulting Reset Type**

Operating Mode	Reset Source	Special Conditions
NORMAL or HALT modes	Power-On Reset/Voltage Brownout	Reset delay begins after supply voltage exceeds POR level
	Watchdog Timer time-out when configured for reset	None
	RESET pin assertion	All reset pulses less than four system clocks in width are ignored.
	On-Chip Debugger initiated reset (OCDCTL[0] set to 1)	System, except the On-Chip Debugger is unaffected by the reset
STOP mode	Power-On Reset/Voltage Brownout	Reset delay begins after supply voltage exceeds POR level
	RESET pin assertion	All reset pulses less than 12 ns are ignored
	DBG pin driven Low	None

## Power-On Reset

Each device in the Z8 Encore!® F0830 Series contains an internal Power-On Reset circuit. The POR circuit monitors the digital supply voltage and holds the device in the Reset state until the digital supply voltage reaches a safe operating level. After the supply voltage exceeds the POR voltage threshold ( $V_{POR}$ ), the device is held in the Reset state until the POR counter has timed out. If the crystal oscillator is enabled by the option bits, the time-out is longer.

After the Z8 Encore! F0830 Series device exits the Power-on Reset state, the eZ8 CPU fetches the reset vector. Following the Power-On Reset, the POR status bit in the reset status (RSTSTAT) register is set to 1.

[Figure 6](#) displays the Power-On Reset operation. See [Electrical Characteristics](#) on page 177 for the POR threshold voltage ( $V_{POR}$ ).

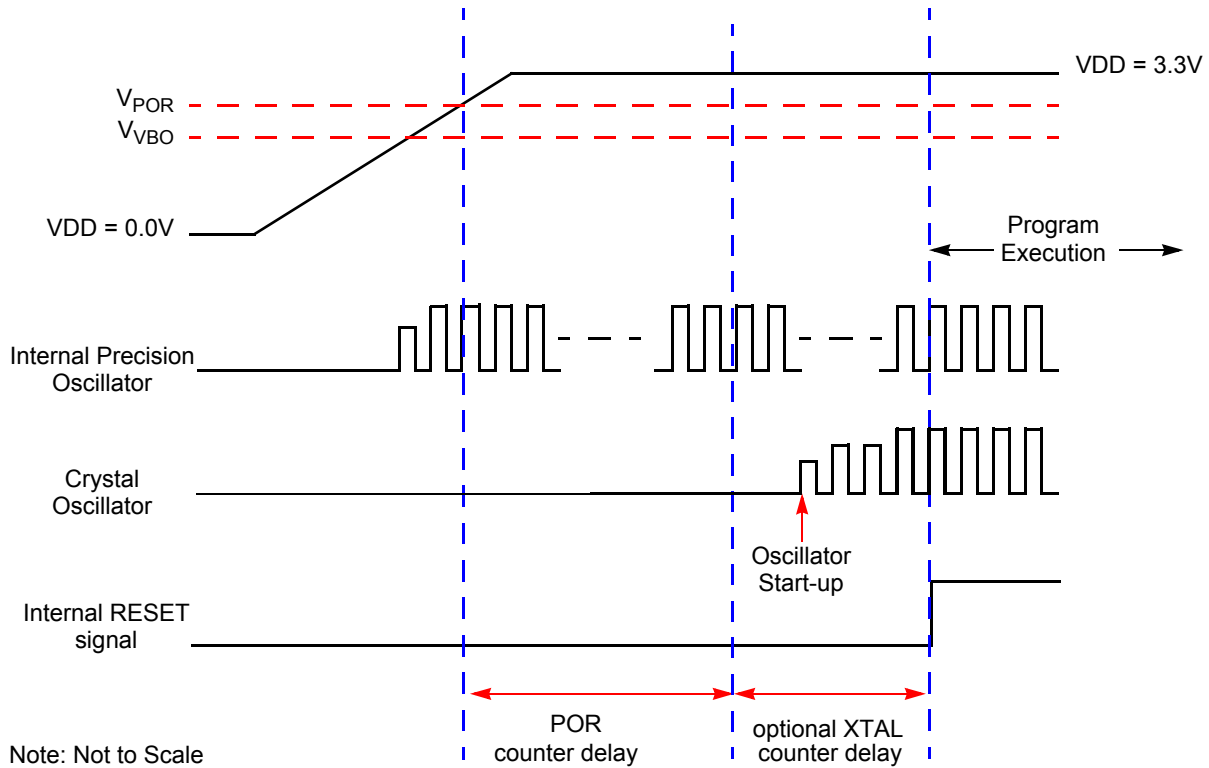


Figure 6. Power-On Reset Operation

## Voltage Brownout Reset

The devices in the Z8 Encore!® F0830 Series provide low Voltage Brownout (VBO) protection. The VBO circuit forces the device to the Reset state, when the supply voltage drops below the VBO threshold voltage (unsafe level). While the supply voltage remains below the Power-On Reset threshold voltage ( $V_{POR}$ ), the VBO circuit holds the device in reset.

After the supply voltage exceeds the Power-On Reset threshold voltage, the device progresses through a full system reset sequence, as described in the POR section. Following Power-On Reset, the POR status bit in the reset status (RSTSTAT) register is set to 1. [Figure 7](#) displays the Voltage Brownout operation. See [Electrical Characteristics](#) on page 177 for the VBO and POR threshold voltages ( $V_{VBO}$  and  $V_{POR}$ ).

The POR level is greater than the VBO level by the specified hysteresis value. This ensures that the device undergoes a POR after recovering from a VBO condition.

The Voltage Brownout circuit can be either enabled or disabled during STOP mode. Operations during STOP mode is set by the VBO\_AO Flash option bit. See [Flash Option Bits](#) on page 117 for information about configuring VBO\_AO.

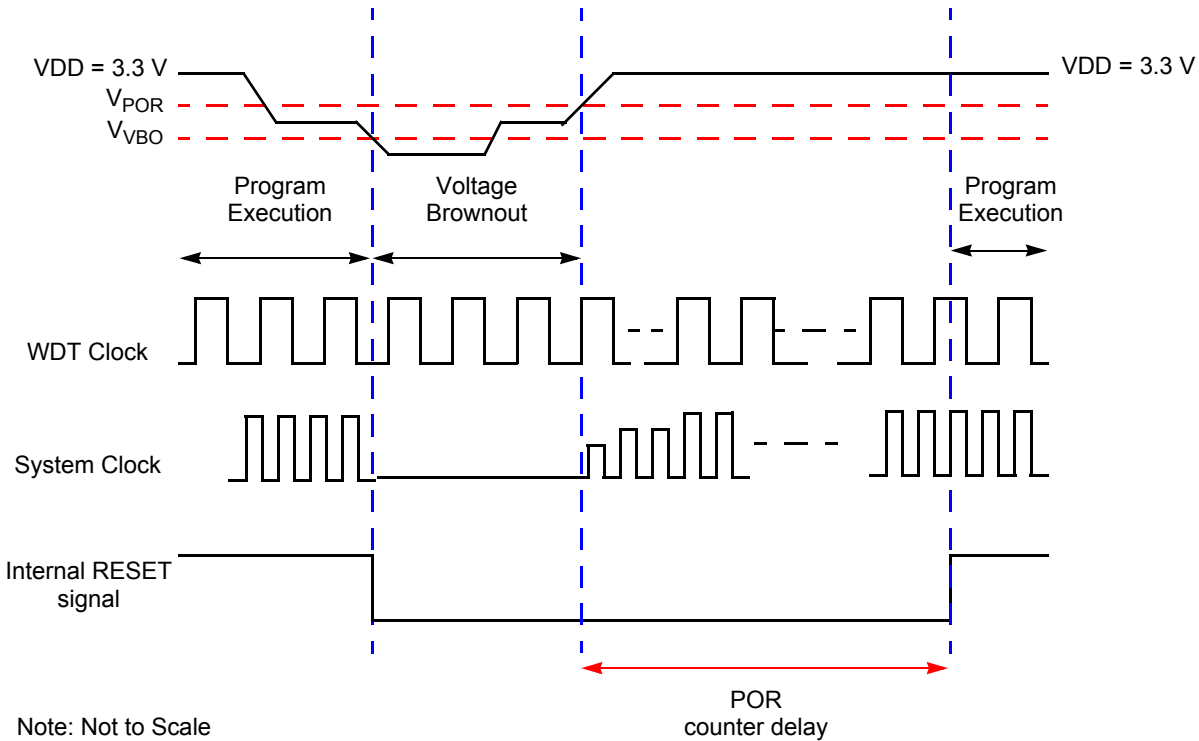


Figure 7. Voltage Brownout Reset Operation

## Watchdog Timer Reset

If the device is in NORMAL or STOP mode, the Watchdog Timer can initiate a system reset at time-out if the WDT\_RES Flash option bit is programmed to 1. This is the unprogrammed state of the WDT\_RES Flash option bit. If the bit is programmed to 0, it configures the Watchdog Timer to cause an interrupt, not a system reset, at time-out. The WDT status bit in the reset status (RSTSTAT) register is set to 1 to signify that the reset was initiated by the Watchdog Timer.

## External Reset Input

The  $\overline{\text{RESET}}$  pin has a schmitt-triggered input and an internal pull-up resistor. Once the  $\overline{\text{RESET}}$  pin is asserted for a minimum of four system clock cycles, the device progresses through the system reset sequence. Because of the possible asynchronicity of the system clock and reset signals, the required reset duration may be three or four clock periods. A

reset pulse of three clock cycles in duration might trigger a reset and a reset pulse of four cycles in duration always triggers a reset.

While the  $\overline{\text{RESET}}$  input pin is asserted low, the Z8 Encore!® F0830 Series devices remain in the Reset state. If the  $\overline{\text{RESET}}$  pin is held low beyond the system reset time-out, the device exits the Reset state on the system clock rising edge following  $\overline{\text{RESET}}$  pin deassertion. Following a system reset initiated by the external  $\overline{\text{RESET}}$  pin, the EXT status bit in the reset status (RSTSTAT) register is set to 1.

## External Reset Indicator

During system reset or when enabled by the GPIO logic, the  $\overline{\text{RESET}}$  pin functions as an open-drain (active low) RESET mode indicator in addition to the input functionality. This reset output feature allows an Z8 Encore! F0830 Series device to reset other components to which it is connected, even if that reset is caused by internal sources such as POR, VBO or WDT events. See [Port A–D Control Registers](#) on page 44.

After an internal Reset event occurs, the internal circuitry begins driving the  $\overline{\text{RESET}}$  pin low. The  $\overline{\text{RESET}}$  pin is held low by the internal circuitry until the appropriate delay listed in [Table 8](#) has elapsed.

## On-Chip Debugger Initiated Reset

A Power-on reset can be initiated using the On-Chip Debugger by setting the RST bit in the OCD control register. The OCD block is not reset, but the rest of the chip goes through a normal system reset. The RST bit automatically clears during the system reset. Following the system reset, the POR bit in the reset status (RSTSTAT) register is set.

## Stop Mode Recovery

The device enters the STOP mode when the STOP instruction is executed by the eZ8 CPU. See [Low-Power Modes](#) on page 33 for detailed STOP mode information. During Stop Mode Recovery, the CPU is held in reset for about 66 IPO cycles if the crystal oscillator is disabled or about 5000 cycles if it is enabled.

Stop Mode Recovery does not affect the on-chip registers other than the reset status (RSTSTAT) register and the oscillator control register (OSCCTL). After any Stop Mode Recovery, the IPO is enabled and selected as the system clock. If another system clock source is required or IPO disabling is required, the Stop Mode Recovery code must reconfigure the oscillator control block such that the correct system clock source is enabled and selected.

The eZ8 CPU fetches the reset vector at program memory addresses 0002H and 0003H and loads that value into the program counter. Program execution begins at the reset vector address. Following Stop Mode Recovery, the STOP bit in the reset status (RSTSTAT)

register is set to 1. Table 10 lists the Stop Mode Recovery sources and resulting actions. The following sections provide more detailed information about each of the Stop Mode Recovery sources.

**Table 10. Stop Mode Recovery Sources and Resulting Action**

Operating Mode	Stop Mode Recovery Source	Action
STOP mode	Watchdog Timer time-out when configured for Reset	Stop Mode Recovery
	Watchdog Timer time-out when configured for interrupt	Stop Mode Recovery followed by interrupt (if interrupts are enabled)
	Data transition on any GPIO port pin enabled as a Stop Mode Recovery source	Stop Mode Recovery
	Assertion of external <u>RESET</u> Pin	System reset
	Debug pin driven Low	System reset

### Stop Mode Recovery using WDT Time-Out

If the Watchdog Timer times out during STOP mode, the device undergoes a Stop Mode Recovery sequence. In the reset status (RSTSTAT) register, the WDT and STOP bits are set to 1. If the Watchdog Timer is configured to generate an interrupt upon time-out and the Z8 Encore!® F0830 Series device is configured to respond to interrupts, the eZ8 CPU services the WDT interrupt request following the normal Stop Mode Recovery sequence.

### Stop Mode Recovery using GPIO Port Pin Transition

Each of the GPIO port pins may be configured as a Stop Mode Recovery input source. If any GPIO pin is enabled as a Stop Mode Recovery source, a change in the input pin value (from high to low or from low to high) initiates Stop Mode Recovery. In the reset status (RSTSTAT) register, the STOP bit is set to 1.



**Caution:** *In STOP mode, the GPIO port input data registers (PxIN) are disabled. The port input data registers record the port transition only if the signal stays on the port pin through the end of the Stop Mode Recovery delay. As a result, short pulses on the port pin can initiate Stop Mode Recovery without being written to the port input data register or without initiating an interrupt (if enabled for that pin).*

## Stop Mode Recovery Using the External $\overline{\text{RESET}}$ Pin

When the Z8 Encore!® F0830 Series device is in STOP mode and the external  $\overline{\text{RESET}}$  pin is driven low, a system reset occurs. Because of a glitch filter operating on the  $\overline{\text{RESET}}$  pin, the low pulse must be greater than the minimum width specified about 12 ns, or it is ignored. The EXT bit in the reset status (RSTSTAT) register is set.

## Debug Pin Driven Low

Debug reset is initiated when the On-Chip Debugger detects any of the following error conditions on the DBG pin:

- Serial break (a minimum of nine continuous bits low)
- Framing error (received STOP bit is low)
- Transmit collision (OCD and host simultaneous transmission detected by the OCD)

When the Z8F083 is in STOP mode, the debug reset will cause a system reset. The On-Chip Debugger block is not reset, but the rest of the chip goes through a normal system reset. The POR bit in the reset (RSTSTAT) register is set to 1.

## Reset Register Definitions

### Reset Status Register

The reset status (RSTSTAT) register detailed in [Table 11](#) is a read-only register that indicates the source of the most recent Reset event, a Stop Mode Recovery event, or a Watchdog Timer time-out event. Reading this register resets the upper four bits to 0.

This register shares its address with the Watchdog Timer control register, which is write-only.

**Table 11. Reset Status Register (RSTSTAT)**

BITS	7	6	5	4	3	2	1	0
FIELD	POR	STOP	WDT	EXT	Reserved			
RESET	See descriptions below			0	0	0	0	0
R/W	R	R	R	R	R	R	R	R
ADDR	FF0H							



Reset or Stop Mode Recovery Event	POR	STOP	WDT	EXT
Power-on reset	1	0	0	0
Reset using $\overline{\text{RESET}}$ pin assertion	0	0	0	1
Reset using Watchdog Timer time-out	0	0	1	0
Reset using the On-Chip Debugger (OCTCTL[1] set to 1)	1	0	0	0
Reset from STOP mode using DBG pin driven Low	1	0	0	0
Stop Mode Recovery using GPIO pin transition	0	1	0	0
Stop Mode Recovery using WDT time-out	0	1	1	0

**POR**—Power-On Reset indicator

This bit is set to 1 if a Power-On Reset event occurs and is reset to 0, if a WDT time-out or Stop Mode Recovery occurs. Reading this register also reset this bit to 0.

**STOP**—Stop Mode Recovery indicator

This bit is set to 1 if a Stop Mode Recovery occurs. If the STOP and WDT bits are both set to 1, the Stop Mode Recovery occurs because of a WDT time-out. If the STOP bit is 1 and the WDT bit is 0, the Stop Mode Recovery is not caused by a WDT time-out. This bit is reset by a Power-on reset or a WDT time-out that occurred while not in STOP mode. Reading this register also resets this bit.

**WDT**—Watchdog Timer time-out indicator

This bit is set to 1 if a WDT time-out occurs. A Power-On Reset resets this pin. A Stop Mode Recovery from a change in an input pin also resets this bit. Reading this register resets this bit. This read must occur before clearing the WDT interrupt.

**EXT**—External reset indicator

If this bit is set to 1, a reset initiated by the external  $\overline{\text{RESET}}$  pin occurred. A Power-On Reset or a Stop Mode Recovery from a change in an input pin resets this bit. Reading this register resets this bit.

Reserved—Must be 0.



## Low-Power Modes

The Z8 Encore!® F0830 Series products contain power saving features. The highest level of power reduction is provided by the STOP mode. The next level of power reduction is provided by the HALT mode.

Further power savings can be implemented by disabling the individual peripheral blocks while in NORMAL mode.

You must not enable the pull-up register bits for unused GPIO pins, since these ports are default output to VSS. Unused GPIOs include those missing on 20-pin packages, as well as those missing on the ADC-enabled 28-pin packages.

### STOP Mode

Executing the eZ8 CPU's STOP instruction places the device into STOP mode. In STOP mode, the operating characteristics are:

- Primary crystal oscillator and Internal Precision Oscillator are stopped; XIN and XOUT (if previously enabled) are disabled, and PA0/PA1 revert to the states programmed by the GPIO registers.
- System clock is stopped.
- eZ8 CPU is stopped.
- Program counter (PC) stops incrementing.
- Watchdog Timer's internal RC oscillator continues to operate if enabled by the oscillator control register.
- If enabled, the Watchdog Timer logic continues to operate.
- If enabled for operation in STOP mode by the associated Flash option bit, the Voltage Brownout protection circuit continues to operate.
- All other on-chip peripherals are idle.

To minimize the current in STOP mode, all GPIO pins that are configured as digital inputs must be driven to VDD when the pull-up register bit is enabled or to one of power rail (VDD or GND) when the pull-up register bit is disabled. The device can be brought out of STOP mode using Stop Mode Recovery. For more information about Stop Mode Recovery, see [Reset and Stop Mode Recovery](#) on page 23.

## HALT Mode

Executing the eZ8 CPU HALT instruction places the device into HALT mode. In HALT mode, the operating characteristics are:

- Primary oscillator is enabled and continues to operate.
- System clock is enabled and continues to operate.
- eZ8 CPU is stopped.
- Program counter (PC) stops incrementing.
- Watchdog Timer's internal RC oscillator continues to operate.
- If enabled, the Watchdog Timer continues to operate.
- All other on-chip peripherals continue to operate.

The eZ8 CPU can be brought out of HALT mode by any one of the following operations:

- Interrupt
- Watchdog Timer time-out (interrupt or reset)
- Power-On Reset
- Voltage Brownout reset
- External  $\overline{\text{RESET}}$  pin assertion

To minimize current in HALT mode, all GPIO pins that are configured as digital inputs must be driven to VDD when pull-up register bit is enabled or to one of power rail (VDD or GND) when pull-up register bit is disabled.

## Peripheral Level Power Control

In addition to the STOP and HALT modes, it is possible to disable each peripheral on each of the Z8 Encore!® F0830 Series devices. Disabling a given peripheral minimizes its power consumption.

## Power Control Register Definitions

### Power Control Register 0

Each bit of the following registers disables a peripheral block, either by gating its system clock input or by removing power from the block.

► **Note:** *This register is only reset during a Power-On Reset sequence. Other system reset events do not affect it.*

**Table 12. Power Control Register 0 (PWRCTL0)**

BITS	7	6	5	4	3	2	1	0
FIELD	Reserved			VBO	Reserved	Reserved	COMP	Reserved
RESET	1	0	0	0	1	0	0	0
R/W	R/W	R/W	R/W	R/W	R/W	R/W	R/W	R/W
ADDR	F80H							

Reserved—Must be 0.

VBO—Voltage Brownout detector disable

This bit takes only effect when the VBO\_AO Flash option bit is disabled. In STOP mode, VBO is always disabled when the VBO\_AO Flash option bit is disabled. For VBO\_AO Flash option bit function, See [Flash Option Bits](#) on page 117.

0 = VBO enabled

1 = VBO disabled

COMP—Comparator disable

0 = Comparator is enabled

1 = Comparator is disabled

Reserved—Must be 0.



# General Purpose Input/Output

The Z8 Encore!® F0830 Series products support a maximum of 25 port pins (Ports A–D) for General Purpose Input/Output (GPIO) operations. Each port contains control and data registers. The GPIO control registers determine data direction, open-drain, output drive current, programmable pull-ups, Stop Mode Recovery functionality, and Alternate Pin functions. Each port pin is individually programmable. In addition, the Port C pins are capable of direct LED drive at programmable drive strengths.

## GPIO Port Availability by Device

Table 13 lists the port pins available with each device and package type.

**Table 13. Port Availability by Device and Package Type**

Devices	Package	10-Bit ADC	Port A	Port B	Port C	Port D	Total I/O
Z8F1232, Z8F0830, Z8F0430, Z8F0230, Z8F0130	20-pin	Yes	[7:0]	[3:0]	[3:0]	[0]	17
Z8F1233, Z8F0831 Z8F0431, Z8F0231 Z8F0131,	20-pin	No	[7:0]	[3:0]	[3:0]	[0]	17
Z8F1232, Z8F0830, Z8F0430, Z8F0230, Z8F0130	28-pin	Yes	[7:0]	[5:0]	[7:0]	[0]	23
Z8F1233, Z8F0831 Z8F0431, Z8F0231 Z8F0131,	28-pin	No	[7:0]	[7:0]	[7:0]	[0]	25

**Note:** 20-pin and 28-pin and 10-bit ADC Enabled or Disabled can be selected through Option Bits

## Architecture

Figure 8 displays a simplified block diagram of a GPIO port pin. In this figure, the ability to accommodate Alternate functions and variable port current drive strength is not displayed.

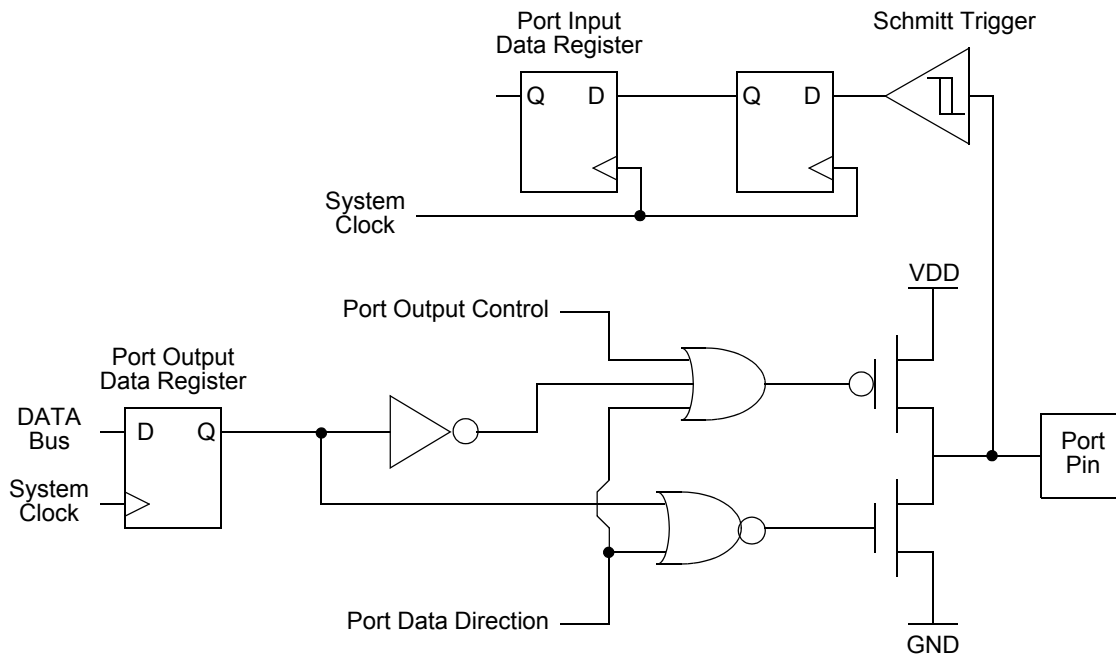


Figure 8. GPIO Port Pin Block Diagram

## GPIO Alternate Functions

Many of the GPIO port pins can be used for general purpose input/output and access to on-chip peripheral functions such as the timers and serial communication devices. The port A–D Alternate function sub-registers configure these pins for either GPIO or Alternate function operation. When a pin is configured for Alternate function, control of the port pin direction (input/output) is passed from the port A–D data direction registers to the Alternate function assigned to this pin. Table 14 on page 40 lists the Alternate functions possible with each port pin. The Alternate function associated at a pin is defined through Alternate function sub-registers AFS1 and AFS2.

The crystal oscillator functionality is not controlled by the GPIO block. When the crystal oscillator is enabled in the oscillator control block, the GPIO functionality of PA0 and PA1 is overridden. In that case, pins PA0 and PA1 functions as input and output for the crystal oscillator.

PA0 and PA6 contain two different Timer functions, a timer input and a complementary timer output. Both of these functions require the same GPIO configuration, the selection between the two is based on the TIMER mode. For more details, see Timers on page 65.



## Direct LED Drive

The port C pins provide a sinked current output, capable of driving an LED without requiring an external resistor. The output sinks current at programmable levels, 3 mA, 7 mA, 13 mA, and 20 mA. This mode is enabled through the Alternate function sub-register AFS1 and is programmable through the LED control registers.

For proper function, the LED anode must be connected to  $V_{DD}$  and the cathode to the GPIO pin.

Using all Port C pins in LED drive mode with maximum current may result in excessive total current. See [Electrical Characteristics](#) on page 177 for the maximum total current for the applicable package.

## Shared Reset Pin

On the 20- and 28-pin devices, the port D0 pin shares function with a bidirectional reset pin. Unlike all other I/O pins, this pin does not default to GPIO function on power-up. This pin acts as a bidirectional reset until the user software re-configures it. When in GPIO mode, the port D0 pin functions as output only.

## Crystal Oscillator Override

For systems using a crystal oscillator, the pins PA0 and PA1 are connected to the crystal. When the crystal oscillator is enabled, the GPIO settings are overridden and PA0 and PA1 are disabled. See [Oscillator Control Register Definitions](#) on page 146.

## 5 V Tolerance

In the 20- and 28-pin versions of this device, any pin, which shares functionality with an ADC, crystal or comparator port is not 5 V tolerant, including PA[1:0], PB[5:0] and PC[2:0]. All other signal pins are 5 V tolerant, and can safely handle inputs higher than  $V_{DD}$  even with the pull-ups enabled, but with excess power consumption on pull-up resistor.

## External Clock Setup

For systems using an external TTL drive, PB3 is the clock source for 20- and 28-pin devices. In this case, configure PB3 for Alternate function CLKIN. Write to the oscillator

control register (see [Oscillator Control Register Definitions](#) on page 146) to select the PB3 as the system clock.

**Table 14. Port Alternate Function Mapping**

Port	Pin	Mnemonic	Alternate Function Description	Alternate Function Set Register AFS1
Port A	PA0	T0IN/T0OUT	Timer 0 input/Timer 0 output complement	N/A
		Reserved		
	PA1	T0OUT	Timer 0 output	
		Reserved		
	PA2	Reserved	Reserved	
		Reserved		
	PA3	Reserved	Reserved	
		Reserved		
	PA4	Reserved	Reserved	
		Reserved		
	PA5	Reserved	Reserved	
		Reserved		
	PA6	T1IN/T1OUT	Timer 1 input/Timer 1 output complement	
		Reserved		
PA7	T1OUT	Timer 1 output		
	Reserved			

**Note:** Because there is only a single Alternate function for each port A pin, the Alternate function set registers are not implemented for port A. Enabling Alternate function selections as described in [Port A–D Alternate Function Subregisters](#) on page 45 automatically enables the associated Alternate function.

**Table 14. Port Alternate Function Mapping (Continued)**

Port	Pin	Mnemonic	Alternate Function Description	Alternate Function Set Register AFS1
Port B	PB0	Reserved		AFS1[0]: 0
		ANA0	ADC analog input	AFS1[0]: 1
	PB1	Reserved		AFS1[1]: 0
		ANA1	ADC analog input	AFS1[1]: 1
	PB2	Reserved		AFS1[2]: 0
		ANA2	ADC analog input	AFS1[2]: 1
	PB3	CLKIN	External input clock	AFS1[3]: 0
		ANA3	ADC analog input	AFS1[3]: 1
	PB4	Reserved		AFS1[4]: 0
		ANA7	ADC analog input	AFS1[4]: 1
	PB5	Reserved		AFS1[5]: 0
		VREF	ADC reference voltage	AFS1[5]: 1
	PB6	Reserved		AFS1[6]: 0
		Reserved		AFS1[6]: 1
	PB7	Reserved		AFS1[7]: 0
		Reserved		AFS1[7]: 1

**Note:** Because there are at most two choices of Alternate function for any pin of port B, the Alternate function set register AFS2 is implemented but not used to select the function. Also, Alternate function selection as described in [Port A–D Alternate Function Subregisters](#) on page 45 must also be enabled.

**Table 14. Port Alternate Function Mapping (Continued)**

Port	Pin	Mnemonic	Alternate Function Description	Alternate Function Set Register AFS1
<b>Port C</b>	PC0	Reserved		AFS1[0]: 0
		ANA4/CINP/LED Drive	ADC or comparator input, or LED drive	AFS1[0]: 1
	PC1	Reserved		AFS1[1]: 0
		ANA5/CINN/LED Drive	ADC or comparator input, or LED drive	AFS1[1]: 1
	PC2	Reserved		AFS1[2]: 0
		ANA6/LED	ADC analog input or LED drive	AFS1[2]: 1
	PC3	COUT	Comparator output	AFS1[3]: 0
		LED	LED drive	AFS1[3]: 1
	PC4	Reserved		AFS1[4]: 0
		LED	LED drive	AFS1[4]: 1
	PC5	Reserved		AFS1[5]: 0
		LED	LED drive	AFS1[5]: 1
	PC6	Reserved		AFS1[6]: 0
		LED	LED drive	AFS1[6]: 1
PC7	Reserved		AFS1[7]: 0	
	LED	LED drive	AFS1[7]: 1	
<b>Port D</b>	PD0	PD0	Only output mode	AFS1[0]: 0
		$\overline{\text{RESET}}$	Default to be Reset function	AFS1[0]: 1

**Note:** Because there are at most two choices of Alternate function for any pin of port C, the Alternate function set register AFS2 is implemented but not used to select the function. Also, Alternate function selection as described in [Port A–D Alternate Function Subregisters](#) on page 45 must also be enabled.

## GPIO Interrupts

Many of the GPIO port pins can be used as interrupt sources. Some port pins can be configured to generate an interrupt request on either the rising edge or falling edge of the input pin signal. Other port pin interrupt sources, generate an interrupt when any edge occurs (both rising and falling). See [Interrupt Controller](#) on page 53 for more information about interrupts using the GPIO pins.

## GPIO Control Register Definitions

Four registers for each port provide access to GPIO control, input data, and output data. [Table 15](#) lists these port registers. Use the Port A–D address and control registers together to provide access to subregisters for port configuration and control.

**Table 15. GPIO Port Registers and Subregisters**

Port Register Mnemonic	Port Register Name
PxADDR	Port A–D address register (Selects subregisters)
PxCTL	Port A–D control register (Provides access to subregisters)
PxIN	Port A–D input data register
PxOUT	Port A–D output data register
Port Sub-Register Mnemonic	Port Register Name
PxDD	Data direction
PxAF	Alternate function
PxOC	Output control (open-drain)
PxHDE	High drive enable
PxSMRE	Stop Mode Recovery source enable
PxPUE	Pull-up enable
PxAFS1	Alternate function set 1
PxAFS2	Alternate function set 2

## Port A–D Address Registers

The Port A–D address registers select the GPIO port functionality accessible through the port A–D control registers. The port A–D address and control registers combine to provide access to all GPIO port controls (see [Table 16](#)).

**Table 16. Port A–D GPIO Address Registers (PxADDR)**

BITS	7	6	5	4	3	2	1	0
FIELD	PADDR[7:0]							
RESET	00H							
R/W	R/W	R/W	R/W	R/W	R/W	R/W	R/W	R/W
ADDR	FD0H, FD4H, FD8H, FDCH							

PADDR[7:0]—Port Address

The port address selects one of the subregisters accessible through the port control register.

PADDR[7:0]	Port Control subregister accessible using the Port A–D Control Registers
00H	No function. Provides some protection against accidental port reconfiguration.
01H	Data direction
02H	Alternate function
03H	Output control (Open-Drain)
04H	High drive enable
05H	Stop Mode Recovery source enable
06H	Pull-up enable
07H	Alternate function set 1
08H	Alternate function set 2
09H–FFH	No function

## Port A–D Control Registers

The Port A–D control registers set the GPIO port operation. The value in the corresponding Port A–D address register determines, which subregister is read from or written to by a Port A–D control register transaction. See [Table 17](#) on page 45.

**Table 17. Port A–D Control Registers (PxCTL)**

BITS	7	6	5	4	3	2	1	0
FIELD	PCTL							
RESET	00H							
R/W	R/W	R/W	R/W	R/W	R/W	R/W	R/W	R/W
ADDR	FD1H, FD5H, FD9H, FDDH							

PCTL[7:0]—Port Control

The port control register provides access to all subregisters that configure the GPIO port operation.

## Port A–D Data Direction Subregisters

The Port A–D data direction subregister is accessed through the Port A–D control register by writing 01H to the Port A–D address register. See [Table 18](#).

**Table 18. Port A–D Data Direction Sub-Registers (PxDD)**

BITS	7	6	5	4	3	2	1	0
FIELD	DD7	DD6	DD5	DD4	DD3	DD2	DD1	DD0
RESET	1	1	1	1	1	1	1	1
R/W	R/W	R/W	R/W	R/W	R/W	R/W	R/W	R/W
ADDR	If 01H in Port A–D Address Register, accessible through the Port A–D Control Register							

DD[7:0]—Data direction

These bits control the direction of the associated port pin. Port Alternate Function operation overrides the Data direction register setting.

0 = Output. Data in the Port A–D output data register is driven onto the port pin.

1 = Input. The port pin is sampled and the value written into the Port A–D input data register. The output driver is tristated.

## Port A–D Alternate Function Subregisters

The Port A–D Alternate function subregister is accessed through the Port A–D control register by writing 02H to the Port A–D address register. See [Table 19](#) on page 46. The Port A–D Alternate function subregisters enable the Alternate function selection on pins. If disabled, the pins functions as GPIO. If enabled, select one of four Alternate functions using Alternate function set subregisters 1 and 2 as described in the [Port A–D Alternate Function Set 1 Subregisters](#) on page 48 and [Port A–D Alternate Function Set 2 Subregisters](#) on page 49. See [GPIO Alternate Functions](#) on page 38 to determine the Alternate functions associated with each port pin.



**Caution:** *Do not enable Alternate functions for GPIO port pins for which there is no associated Alternate function. Failure to follow this guideline can result in unpredictable operation.*

**Table 19. Port A–D Alternate Function Subregisters (PxAF)**

BITS	7	6	5	4	3	2	1	0
FIELD	AF7	AF6	AF5	AF4	AF3	AF2	AF1	AF0
RESET	00H (Ports A–C); 01H (Port D)							
R/W	R/W							
ADDR	If 02H in Port A–D Address Register, accessible through the Port A–D Control Register							

AF[7:0]—Port Alternate function enabled  
 0 = The port pin is in NORMAL mode and the DD<sub>x</sub> bit in the Port A–D data direction subregister determines the direction of the pin.  
 1 = The Alternate function selected through Alternate function set subregisters is enabled. Port pin operation is controlled by the Alternate function.

**Port A–D Output Control Subregisters**

The Port A–D output control subregister is accessed through the Port A–D control register by writing 03H to the Port A–D address register. See Table 20. Setting the bits in the Port A–D output control subregisters to 1, configures the specified port pins for open-drain operation. These subregisters affect the pins directly and, as a result, Alternate functions are also affected.

**Table 20. Port A–D Output Control Subregisters (PxOC)**

BITS	7	6	5	4	3	2	1	0
FIELD	POC7	POC6	POC5	POC4	POC3	POC2	POC1	POC0
RESET	0	0	0	0	0	0	0	0
R/W	R/W	R/W	R/W	R/W	R/W	R/W	R/W	R/W
ADDR	If 03H in Port A–D Address Register, accessible through the Port A–D Control Register							

POC[7:0]—Port output control  
 These bits function independently of the Alternate function bit and always disable the drains, if set to 1.  
 0 = The drains are enabled for any OUTPUT mode (unless overridden by the Alternate function).  
 1 = The drain of the associated pin is disabled (OPEN-DRAIN mode).



### Port A–D High Drive Enable Subregisters

The Port A–D high drive enable subregister is accessed through the Port A–D control register by writing 04H to the Port A–D address register. See [Table 21](#). Setting the bits in the Port A–D high drive enable subregisters to 1 configures, the specified port pins for high output current drive operation. The Port A–D high drive enable subregister affects the pins directly and, as a result, Alternate functions are also affected.

**Table 21. Port A–D High Drive Enable Subregisters (PxHDE)**

BITS	7	6	5	4	3	2	1	0
FIELD	PHDE7	PHDE6	PHDE5	PHDE4	PHDE3	PHDE2	PHDE1	PHDE0
RESET	0	0	0	0	0	0	0	0
R/W	R/W	R/W	R/W	R/W	R/W	R/W	R/W	R/W
ADDR	If 04H in Port A–D Address Register, accessible through the Port A–D Control Register							

PHDE[7:0]—Port high drive enabled  
 0 = The port pin is configured for standard output current drive.  
 1 = The port pin is configured for high output current drive.

### Port A–D Stop Mode Recovery Source Enable Subregisters

The Port A–D Stop Mode Recovery source enable subregister is accessed through the Port A–D control register by writing 05H to the Port A–D address register. See [Table 22](#). Setting the bits in the Port A–D Stop Mode Recovery source enable subregisters to 1, configures the specified port pins as a Stop Mode Recovery source. During STOP mode, any logic transition on a port pin enabled as a Stop Mode Recovery source initiates Stop Mode Recovery.

**Table 22. Port A–D Stop Mode Recovery Source Enable Subregisters (PxSMRE)**

BITS	7	6	5	4	3	2	1	0
FIELD	PSMRE7	PSMRE6	PSMRE5	PSMRE4	PSMRE3	PSMRE2	PSMRE1	PSMRE0
RESET	0	0	0	0	0	0	0	0
R/W	R/W	R/W	R/W	R/W	R/W	R/W	R/W	R/W
ADDR	If 05H in Port A–D Address Register, accessible through the Port A–D Control Register							

PSMRE[7:0]—Port Stop Mode Recovery source enabled  
 0 = The port pin is not configured as a Stop Mode Recovery source. Transitions on this pin during STOP mode do not initiate Stop Mode Recovery.  
 1 = The port pin is configured as a Stop Mode Recovery source. Any logic transition on this pin during STOP mode initiates Stop Mode Recovery.

### Port A–D Pull-up Enable Subregisters

The Port A–D pull-up enable subregister is accessed through the Port A–D control register by writing 06H to the Port A–D address register. See [Table 23](#). Setting the bits in the Port A–D pull-up enable subregisters, enables a weak internal resistive pull-up on the specified port pins.

**Table 23. Port A–D Pull-Up Enable Subregisters (PxPUE)**

BITS	7	6	5	4	3	2	1	0
FIELD	PPUE7	PPUE6	PPUE5	PPUE4	PPUE3	PPUE2	PPUE1	PPUE0
RESET	0	0	0	0	0	0	0	0
R/W	R/W	R/W	R/W	R/W	R/W	R/W	R/W	R/W
ADDR	If 06H in Port A–D Address Register, accessible through the Port A–D Control Register							

PPUE[7:0]—Port pull-up enabled  
 0 = The weak pull-up on the port pin is disabled.  
 1 = The weak pull-up on the port pin is enabled.

### Port A–D Alternate Function Set 1 Subregisters

The Port A–D Alternate function set1 subregister is accessed through the Port A–D control register by writing 07H to the Port A–D address register. See [Table 24](#). The Alternate function set 1 subregisters select the Alternate function available at a port pin. Alternate functions selected by setting or clearing bits of this register are defined in [GPIO Alternate Functions](#) on page 38.

► **Note:** *Alternate function selection on port pins must also be enabled as described in [Port A–D Alternate Function Subregisters](#) on page 45.*

**Table 24. Port A–D Alternate Function Set 1 Subregisters (PxAFS1)**

BITS	7	6	5	4	3	2	1	0
FIELD	PAFS17	PAFS16	PAFS15	PAFS14	PAFS13	PAFS12	PAFS11	PAFS10
RESET	0	0	0	0	0	0	0	0
R/W	R/W	R/W	R/W	R/W	R/W	R/W	R/W	R/W
ADDR	If 07H in Port A–D Address Register, accessible through the Port A–D Control Register							

PAFS1[7:0]—Port Alternate function set 1  
 0 = Port Alternate function selected as defined in [Table 14](#) in [GPIO Alternate Functions](#) section.  
 1 = Port Alternate function selected as defined in [Table 14](#) in [GPIO Alternate Functions](#) section.

### Port A–D Alternate Function Set 2 Subregisters

The Port A–D Alternate function set 2 subregister is accessed through the Port A–D control register by writing 08H to the Port A–D address register. See [Table 25](#). The Alternate function set 2 subregisters select the Alternate function available at a port pin. Alternate functions selected by setting or clearing bits of this register is defined in [Table 14](#) in the section [GPIO Alternate Functions](#) on page 38.

► **Note:** *Alternate function selection on port pins must also be enabled as described in [Port A–D Alternate Function Subregisters](#) on page 45.*

**Table 25. Port A–D Alternate Function Set 2 Subregisters (PxAFS2)**

BITS	7	6	5	4	3	2	1	0
FIELD	PAFS27	PAFS26	PAFS25	PAFS24	PAFS23	PAFS22	PAFS21	PAFS20
RESET	0	0	0	0	0	0	0	0
R/W	R/W	R/W	R/W	R/W	R/W	R/W	R/W	R/W
ADDR	If 08H in Port A–D Address Register, accessible through the Port A–D Control Register							

PAFS2[7:0]—Port Alternate function set 2

0 = Port Alternate function selected as defined in [Table 14](#) in section [GPIO Alternate Functions](#).

1 = Port Alternate function selected as defined in [Table 14](#) in section [GPIO Alternate Functions](#).

### Port A–C Input Data Registers

Reading from the Port A–C input data registers, returns the sampled values from the corresponding port pins. See [Table 26](#). The Port A–C input data registers are read-only. The value returned for any unused ports is 0. Unused ports include those missing on the 8- and 28-pin packages, as well as those missing on the ADC-enabled 28-pin packages.

**Table 26. Port A–C Input Data Registers (PxIN)**

BITS	7	6	5	4	3	2	1	0
FIELD	PIN7	PIN6	PIN5	PIN4	PIN3	PIN2	PIN1	PIN0
RESET	X	X	X	X	X	X	X	X
R/W	R	R	R	R	R	R	R	R
ADDR	FD2H, FD6H, FDAH							

PIN[7:0]—Port Input Data

Sampled data from the corresponding port pin input.

0 = Input data is logical 0 (Low).

1 = Input data is logical 1 (High).

## Port A–D Output Data Register

The Port A–D output data register controls the output data to the pins. See [Table 27](#).

**Table 27. Port A–D Output Data Register (PxOUT)**

BITS	7	6	5	4	3	2	1	0
FIELD	POUT7	POUT6	POUT5	POUT4	POUT3	POUT2	POUT1	POUT0
RESET	0	0	0	0	0	0	0	0
R/W	R/W	R/W	R/W	R/W	R/W	R/W	R/W	R/W
ADDR	FD3H, FD7H, FDBH, FDFH							

POUT[7:0]—Port output data

These bits contain the data to be driven to the port pins. The values are only driven if the corresponding pin is configured as an output and the pin is not configured for Alternate function operation.

0 = Drive a logical 0 (Low).

1 = Drive a logical 1 (High). High value is not driven if the drain has been disabled by setting the corresponding port output control register bit to 1.

## LED Drive Enable Register

The LED drive enable register activates the controlled current drive. See [Table 28](#). The Port C pin must first be enabled by setting the Alternate function register to select the LED function. See [Table 14](#) on page 40.

**Table 28. LED Drive Enable (LEDEN)**

BITS	7	6	5	4	3	2	1	0
FIELD	LEDEN[7:0]							
RESET	0	0	0	0	0	0	0	0
R/W	R/W	R/W	R/W	R/W	R/W	R/W	R/W	R/W
ADDR	F82H							

LEDEN[7:0]—LED drive enable

These bits determine, which Port C pins are connected to an internal current sink.

0 = Tristate the Port C pin.

1 = Connect controlled current sink to the Port C pin.

## LED Drive Level High Register

The LED drive level registers contain two control bits for each Port C pin. See [Table 29](#). These two bits selects one of four programmable current drive levels for each Port C pin. Each pin is individually programmable. See [Table 14](#) on page 40

**Table 29. LED Drive Level High Register (LEDLVLH)**

BITS	7	6	5	4	3	2	1	0
FIELD	LEDLVLH[7:0]							
RESET	0	0	0	0	0	0	0	0
R/W	R/W	R/W	R/W	R/W	R/W	R/W	R/W	R/W
ADDR	F83H							

LEDLVLH[7:0]—LED level high bits  
{LEDLVLH, LEDLVLL} select one of four programmable current drive levels for each Port C pin.  
00 = 3 mA  
01 = 7 mA  
10 = 13 mA  
11 = 20 mA

## LED Drive Level Low Register

The LED drive level registers contain two control bits for each Port C pin. See [Table 30](#). These two bits selects one of four programmable current drive levels for each Port C pin. Each pin is individually programmable.

**Table 30. LED Drive Level Low Register (LEDLVLL)**

BITS	7	6	5	4	3	2	1	0
FIELD	LEDLVLL[7:0]							
RESET	0	0	0	0	0	0	0	0
R/W	R/W	R/W	R/W	R/W	R/W	R/W	R/W	R/W
ADDR	F84H							

LEDLVLL[7:0]—LED level low bits  
{LEDLVLH, LEDLVLL} select one of four programmable current drive levels for each Port C pin.  
00 = 3 mA  
01 = 7 mA  
10 = 13 mA  
11 = 20 mA



# Interrupt Controller

The interrupt controller on the Z8 Encore!® F0830 Series products prioritize the interrupt requests from the on-chip peripherals and the GPIO port pins. The features of the interrupt controller include:

- Seventeen interrupt sources using sixteen unique interrupt vectors:
  - Twelve GPIO port pin interrupt sources
  - Five on-chip peripheral interrupt sources (Comparator Output interrupt shares one interrupt vector with PA6)
- Flexible GPIO interrupts
  - Eight selectable rising and falling edge GPIO interrupts
  - Four dual-edge interrupts
- Three levels of individually programmable interrupt priority
- Watchdog Timer can be configured to generate an interrupt

Interrupt requests (IRQs) allow peripheral devices to suspend CPU operation in an orderly manner and force the CPU to start an interrupt service routine (ISR). Usually this interrupt service routine is involved with the exchange of data, status information, or control information between the CPU and the interrupting peripheral. When the service routine is completed, the CPU returns to the operation from which it was interrupted.

The eZ8 CPU supports both vectored and polled interrupt handling. For polled interrupts, the interrupt controller has no effect on operation. For more information regarding interrupt servicing by the eZ8 CPU, refer to *eZ8 CPU User Manual (UM0128)* available for download at [www.zilog.com](http://www.zilog.com).

## Interrupt Vector Listing

Table 31 lists the interrupts available in order of priority. The interrupt vector is stored with the most significant byte (MSB) at the even program memory address and the least significant byte (LSB) at the odd program memory address.

- **Note:** *Some port interrupts are not available on the 20-pin and 28-pin packages. The ADC interrupt is unavailable on devices not containing an ADC.*

**Table 31. Trap and Interrupt Vectors in Order of Priority**

Priority	Program Memory Vector Address	Interrupt or Trap Source
Highest	0002H	Reset (not an interrupt)
	0004H	Watchdog Timer (see Watchdog Timer chapter)
	003AH	Primary oscillator fail trap (not an interrupt)
	003CH	Watchdog Oscillator fail trap (not an interrupt)
	0006H	Illegal instruction trap (not an interrupt)
	0008H	Reserved
	000AH	Timer 1
	000CH	Timer 0
	000EH	Reserved
	0010H	Reserved
	0012H	Reserved
	0014H	Reserved
	0016H	ADC
	0018H	Port A7, selectable rising or falling input edge
	001AH	Port A6, selectable rising or falling input edge or Comparator Output
	001CH	Port A5, selectable rising or falling input edge
	001EH	Port A4, selectable rising or falling input edge
	0020H	Port A3, selectable rising or falling input edge
	0022H	Port A2, selectable rising or falling input edge
	0024H	Port A1, selectable rising or falling input edge
	0026H	Port A0, selectable rising or falling input edge
	0028H	Reserved
	002AH	Reserved
	002CH	Reserved
	002EH	Reserved
	0030H	Port C3, both input edges
	0032H	Port C2, both input edges
	0034H	Port C1, both input edges

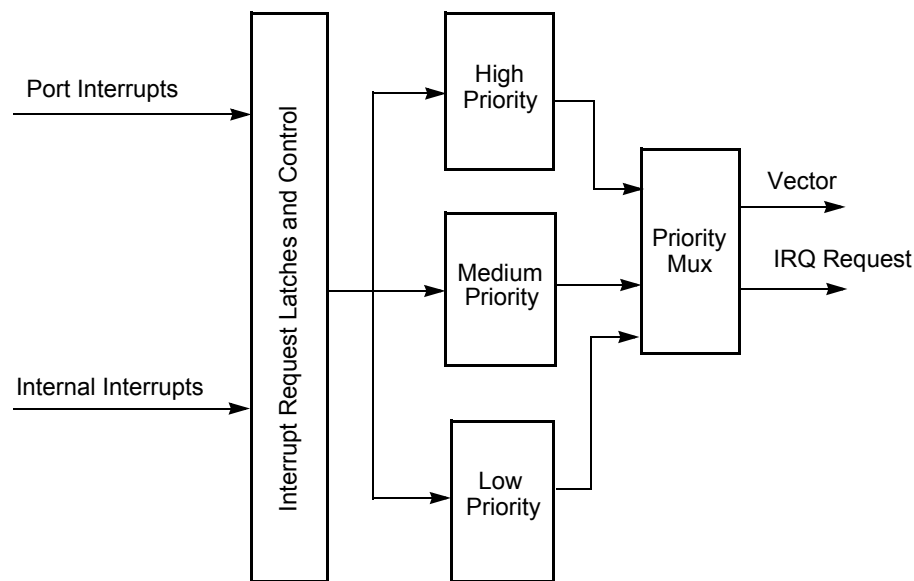


**Table 31. Trap and Interrupt Vectors in Order of Priority (Continued)**

Priority	Program Memory Vector Address	Interrupt or Trap Source
Lowest	0036H	Port C0, both input edges
	0038H	Reserved

## Architecture

Figure 9 displays the interrupt controller block diagram.



**Figure 9. Interrupt Controller Block Diagram**

## Operation

### Master Interrupt Enable

The master interrupt enable bit (IRQE) in the interrupt control register globally enables and disables the interrupts.

Interrupts are globally enabled by any of the following actions:

- Execution of an EI (enable interrupt) instruction

- Execution of an IRET (return from interrupt) instruction
- Writing 1 to the IRQE bit in the interrupt control register

Interrupts are globally disabled by any of the following actions:

- Execution of a DI (disable interrupt) instruction
- eZ8 CPU acknowledgement of an interrupt service request from the interrupt controller
- Writing a 0 to the IRQE bit in the interrupt control register
- Reset
- Execution of a trap instruction
- Illegal instruction Trap
- Primary oscillator fail trap
- Watchdog Oscillator fail trap

## Interrupt Vectors and Priority

The interrupt controller supports three levels of interrupt priority. Level 3 is the highest priority, level 2 is the second highest priority, and level 1 is the lowest priority. If all the interrupts are enabled with identical interrupt priority (all as level 2 interrupts, for example), the interrupt priority is assigned from highest to lowest as specified in [Table 31](#) on page 54. Level 3 interrupts are always assigned higher priority than level 2 interrupts and level 2 interrupts are assigned higher priority than level 1 interrupts. Within each interrupt priority level (level 1, level 2, or level 3), priority is assigned as specified in [Table 31](#), above. Reset, Watchdog Timer interrupt (if enabled), primary oscillator fail trap, Watchdog Oscillator fail trap, and illegal instruction trap always have highest (level 3) priority.

## Interrupt Assertion

Interrupt sources assert their interrupt requests for only a single system clock period (single pulse). When the interrupt request is acknowledged by the eZ8 CPU, the corresponding bit in the interrupt request register is cleared. Writing 0 to the corresponding bit in the interrupt request register clears the interrupt request.



**Caution:** *The coding style listed below that clears the bits in the interrupt request registers is not recommended. All incoming interrupts received between execution of the first LDX command and the final LDX command are lost.*

### Poor coding style that can result in lost interrupt requests:

```
LDX r0, IRQ0
```

```
AND r0, MASK  
LDX IRQ0, r0
```



**Caution:** *To avoid missing interrupts, use the following coding style to clear bits in the interrupt request 0 register:*

**Good coding style that avoids lost interrupt requests:**

```
ANDX IRQ0, MASK
```

## Software Interrupt Assertion

Program code can generate interrupts directly. Writing 1 to the correct bit in the interrupt request register triggers an interrupt (assuming that interrupt is enabled). When the interrupt request is acknowledged by the eZ8 CPU, the bit in the interrupt request register is automatically cleared to 0.



**Caution:** *The coding style listed below that generates software interrupts by setting bits in the interrupt request registers is not recommended. All incoming interrupts received between execution of the first LDX command and the final LDX command are lost.*

**Poor coding style that can result in lost interrupt requests:**

```
LDX r0, IRQ0  
OR r0, MASK  
LDX IRQ0, r0
```



**Caution:** *To avoid missing interrupts, use the following coding style to set bits in the interrupt request registers:*

**Good coding style that avoids lost interrupt requests:**

```
ORX IRQ0, MASK
```

## Interrupt Control Register Definitions

The interrupt control registers enable individual interrupts, set interrupt priorities, and indicate interrupt requests for all the interrupts other than the Watchdog Timer interrupt, the primary oscillator fail trap, and the Watchdog Oscillator fail trap interrupts.

### Interrupt Request 0 Register

The interrupt request 0 (IRQ0) register stores the interrupt requests for both vectored and polled interrupts. See [Table 32](#). When a request is sent to the interrupt controller, the corresponding bit in the IRQ0 register becomes 1. If interrupts are globally enabled (vectored interrupts), the interrupt controller passes an interrupt request to the eZ8 CPU. If

interrupts are globally disabled (polled interrupts), the eZ8 CPU can read the interrupt request 0 register to determine if any interrupt requests are pending.

**Table 32. Interrupt Request 0 Register (IRQ0)**

BITS	7	6	5	4	3	2	1	0
FIELD	Reserved	T1I	T0I	Reserved	Reserved	Reserved	Reserved	ADCI
RESET	0	0	0	0	0	0	0	0
R/W	R/W	R/W	R/W	R/W	R/W	R/W	R/W	R/W
ADDR	FC0H							

Reserved—Must be 0.

T1I—Timer 1 interrupt request

0 = No interrupt request is pending for timer 1.

1 = An interrupt request from timer 1 is awaiting service.

T0I—Timer 0 interrupt request

0 = No interrupt request is pending for timer 0.

1 = An interrupt request from timer 0 is awaiting service.

ADCI—ADC interrupt request

0 = No interrupt request is pending for the analog-to-digital converter.

1 = An interrupt request from the analog-to-digital converter is awaiting service.

## Interrupt Request 1 Register

The interrupt request 1 (IRQ1) register stores interrupt requests for both vectored and polled interrupts. See [Table 33](#). When a request is sent to the interrupt controller, the corresponding bit in the IRQ1 register becomes 1. If interrupts are globally enabled (vectored interrupts), the interrupt controller passes an interrupt request to the eZ8 CPU. If interrupts are globally disabled (polled interrupts), the eZ8 CPU can read the interrupt request 1 register to determine if any interrupt requests are pending.

**Table 33. Interrupt Request 1 Register (IRQ1)**

BITS	7	6	5	4	3	2	1	0
FIELD	PA7I	PA6CI	PA5I	PA4I	PA3I	PA2I	PA1I	PA0I
RESET	0	0	0	0	0	0	0	0
R/W	R/W	R/W	R/W	R/W	R/W	R/W	R/W	R/W
ADDR	FC3H							

PA7I—Port A7

0 = No interrupt request is pending for GPIO Port A.  
1 = An interrupt request from GPIO Port A.

PA6CI—Port A6 or comparator interrupt request  
0 = No interrupt request is pending for GPIO Port A or comparator.  
1 = An interrupt request from GPIO Port A or comparator.

PAXI—Port A Pin  $x$  interrupt request  
0 = No interrupt request is pending for GPIO Port A pin  $x$ .  
1 = An interrupt request from GPIO Port A pin  $x$  is awaiting service.

where  $x$  indicates the specific GPIO Port pin number (0–5).

## Interrupt Request 2 Register

The interrupt request 2 (IRQ2) register stores interrupt requests for both vectored and polled interrupts. See [Table 34](#). When a request is sent to the interrupt controller, the corresponding bit in the IRQ2 register becomes 1. If interrupts are globally enabled (vectored interrupts), the interrupt controller passes an interrupt request to the eZ8 CPU. If interrupts are globally disabled (polled interrupts), the eZ8 CPU can read the interrupt request 2 register to determine if any interrupt requests are pending.

**Table 34. Interrupt Request 2 Register (IRQ2)**

BITS	7	6	5	4	3	2	1	0
FIELD	Reserved				PC3I	PC2I	PC1I	PC0I
RESET	0	0	0	0	0	0	0	0
R/W	R/W	R/W	R/W	R/W	R/W	R/W	R/W	R/W
ADDR	FC6H							

Reserved—Must be 0.

PCxI—Port C pin  $x$  interrupt request  
0 = No interrupt request is pending for GPIO Port C pin  $x$ .  
1 = An interrupt request from GPIO Port C pin  $x$  is awaiting service.

where  $x$  indicates the specific GPIO Port C pin number (0–3).

## IRQ0 Enable High and Low Bit Registers

[Table 35](#) on page 60 describes the priority control for IRQ0. The IRQ0 enable high and low bit registers ([Table 36](#) and [Table 37](#) on page 60) form a priority encoded enabling for interrupts in the interrupt request 0 register. Priority is generated by setting bits in each register.

**Table 35. IRQ0 Enable and Priority Encoding**

IRQ0ENH[x]	IRQ0ENL[x]	Priority	Description
0	0	Disabled	Disabled
0	1	Level 1	Low
1	0	Level 2	Nominal
1	1	Level 3	High

where x indicates the register bits from 0–7.

**Table 36. IRQ0 Enable High Bit Register (IRQ0ENH)**

BITS	7	6	5	4	3	2	1	0
FIELD	Reserved	T1ENH	T0ENH	Reserved	Reserved	Reserved	Reserved	ADCENH
RESET	0	0	0	0	0	0	0	0
R/W	R/W	R/W	R/W	R/W	R/W	R/W	R/W	R/W
ADDR	FC1H							

Reserved—Must be 0.

T1ENH—Timer 1 interrupt request enable high bit

T0ENH—Timer 0 interrupt request enable high bit

ADCENH—ADC interrupt request enable high bit

**Table 37. IRQ0 Enable Low Bit Register (IRQ0ENL)**

BITS	7	6	5	4	3	2	1	0
FIELD	Reserved	T1ENL	T0ENL	Reserved	Reserved	Reserved	Reserved	ADCENL
RESET	0	0	0	0	0	0	0	0
R/W	R	R/W	R/W	R/W	R/W	R	R	R/W
ADDR	FC2H							

Reserved—Must be 0.

T1ENL—Timer 1 interrupt request enable low bit

T0ENL—Timer 0 interrupt request enable low bit

ADCENL—ADC interrupt request enable low bit

## IRQ1 Enable High and Low Bit Registers

Table 38 describes the priority control for IRQ1. The IRQ1 enable high and low bit registers (Table 39 and Table 40) form a priority encoded enabling for interrupts in the interrupt request 1 register. Priority is generated by setting bits in each register.

**Table 38. IRQ1 Enable and Priority Encoding**

IRQ1ENH[x]	IRQ1ENL[x]	Priority	Description
0	0	Disabled	Disabled
0	1	Level 1	Low
1	0	Level 2	Nominal
1	1	Level 3	High

where x indicates the register bits from 0–7.

**Table 39. IRQ1 Enable High Bit Register (IRQ1ENH)**

BITS	7	6	5	4	3	2	1	0
FIELD	PA7ENH	PA6CENH	PA5ENH	PA4ENH	PA3ENH	PA2ENH	PA1ENH	PA0ENH
RESET	0	0	0	0	0	0	0	0
R/W	R/W	R/W	R/W	R/W	R/W	R/W	R/W	R/W
ADDR	FC4H							

PA7ENH—Port A Bit[7] interrupt request enable high bit

PA6CENH—Port A Bit[7] or comparator interrupt request enable high bit

PAxENH—Port A Bit[x] interrupt request enable high bit

See the interrupt port select register for selection of either Port A or Port D as the interrupt source.

**Table 40. IRQ1 Enable Low Bit Register (IRQ1ENL)**

BITS	7	6	5	4	3	2	1	0
FIELD	PA7ENL	PA6CENL	PA5ENL	PA4ENL	PA3ENL	PA2ENL	PA1ENL	PA0ENL
RESET	0	0	0	0	0	0	0	0
R/W	R/W	R/W	R/W	R/W	R/W	R/W	R/W	R/W
ADDR	FC5H							

PA7ENH—Port A Bit[7] interrupt request enable low bit

PA6CENH—Port A Bit[6] or comparator interrupt request enable low bit

PAxENL—Port A Bit[x] interrupt request enable low bit

## IRQ2 Enable High and Low Bit Registers

Table 41 describes the priority control for IRQ2. The IRQ2 enable high and low bit registers (Table 42 and Table 43) form a priority encoded enabling for interrupts in the interrupt request 2 register. Priority is generated by setting bits in each register.

**Table 41. IRQ2 Enable and Priority Encoding**

IRQ2ENH[x]	IRQ2ENL[x]	Priority	Description
0	0	Disabled	Disabled
0	1	Level 1	Low
1	0	Level 2	Nominal
1	1	Level 3	High

where x indicates the register bits from 0–7.

**Table 42. IRQ2 Enable High Bit Register (IRQ2ENH)**

BITS	7	6	5	4	3	2	1	0
FIELD	Reserved				C3ENH	C2ENH	C1ENH	C0ENH
RESET	0	0	0	0	0	0	0	0
R/W	R/W	R/W	R/W	R/W	R/W	R/W	R/W	R/W
ADDR	FC7H							

Reserved—Must be 0.

C3ENH—Port C3 interrupt request enable high bit

C2ENH—Port C2 interrupt request enable high bit

C1ENH—Port C1 interrupt request enable high bit

C0ENH—Port C0 interrupt request enable high bit

**Table 43. IRQ2 Enable Low Bit Register (IRQ2ENL)**

BITS	7	6	5	4	3	2	1	0
FIELD	Reserved				C3ENL	C2ENL	C1ENL	C0ENL
RESET	0	0	0	0	0	0	0	0
R/W	R/W	R/W	R/W	R/W	R/W	R/W	R/W	R/W
ADDR	FC8H							



Reserved—Must be 0.

C3ENL—Port C3 interrupt request enable low bit  
 C2ENL—Port C2 interrupt request enable low bit  
 C1ENL—Port C1 interrupt request enable low bit  
 C0ENL—Port C0 interrupt request enable low bit

### Interrupt Edge Select Register

The interrupt edge select (IRQES) register determines whether an interrupt is generated for the rising edge or falling edge on the selected GPIO port A or port D input pin. See [Table 44](#).

**Table 44. Interrupt Edge Select Register (IRQES)**

BITS	7	6	5	4	3	2	1	0
FIELD	IES7	IES6	IES5	IES4	IES3	IES2	IES1	IES0
RESET	0	0	0	0	0	0	0	0
R/W	R/W	R/W	R/W	R/W	R/W	R/W	R/W	R/W
ADDR	FCDH							

IES<sub>x</sub>—Interrupt edge select *x*

0 = An interrupt request is generated on the falling edge of the PAX input or PDx.

1 = An interrupt request is generated on the rising edge of the PAX input or PDx.

where *x* indicates the specific GPIO port pin number (0 through 7).

### Shared Interrupt Select Register

The shared interrupt select (IRQSS) register determines the source of the PADxS interrupts. See [Table 45](#). The shared interrupt select register selects between port A and alternate sources for the individual interrupts.

Because these shared interrupts are edge-triggered, it is possible to generate an interrupt just by switching from one shared source to another. For this reason, an interrupt must be disabled before switching between sources.

**Table 45. Shared Interrupt Select Register (IRQSS)**

BITS	7	6	5	4	3	2	1	0
FIELD	Reserved	PA6CS	Reserved					
RESET	0	0	0	0	0	0	0	0
R/W	R/W	R/W	R/W	R/W	R/W	R/W	R/W	R/W
ADDR	FCEH							

PA6CS—PA6/Comparator selection

0 = PA6 is used for the interrupt caused by PA6CS interrupt request.

1 = The comparator is used for the interrupt caused by PA6CS interrupt request.

Reserved—Must be 0.

## Interrupt Control Register

The interrupt control (IRQCTL) register contains the master enable bit for all interrupts.

See [Table 46](#).

**Table 46. Interrupt Control Register (IRQCTL)**

BITS	7	6	5	4	3	2	1	0
FIELD	IRQE	Reserved						
RESET	0	0	0	0	0	0	0	0
R/W	R/W	R	R	R	R	R	R	R
ADDR	FCFH							

IRQE—Interrupt request enable

This bit is set to 1 by executing an `EI` (enable interrupts) or `IRET` (interrupt return) instruction, or by a direct register write of 1 to this bit. It is reset to 0 by executing a `DI` instruction, eZ8 CPU acknowledgement of an interrupt request, reset or by a direct register write of a 0 to this bit.

0 = Interrupts are disabled.

1 = Interrupts are enabled.

Reserved—Must be 0.

# Timers

The Z8 Encore!® F0830 Series products contain up to two 16-bit reloadable timers that can be used for timing, event counting, or generation of pulse width modulated (PWM) signals. The timers feature include:

- 16-bit reload counter.
- Programmable prescaler with prescale values ranging from 1 to 128.
- PWM output generation.
- Capture and compare capability.
- External input pin for timer input, clock gating, or capture signal. External input pin signal frequency is limited to a maximum of one-fourth the system clock frequency.
- Timer output pin.
- Timer interrupt.

## Architecture

Figure 10 displays the architecture of the timers.

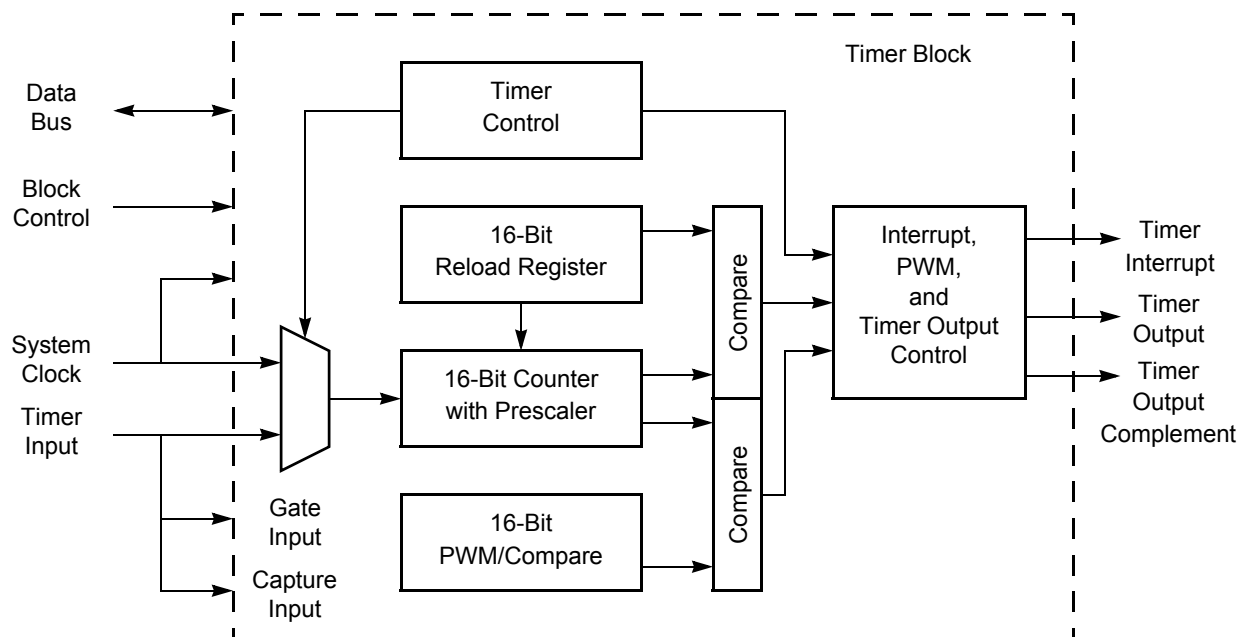


Figure 10. Timer Block Diagram

## Operation

The timers are 16-bit up-counters. Minimum time-out delay is set by loading the value 0001H into the timer reload high and low byte registers and setting the prescale value to 1. Maximum time-out delay is set by loading the value 0000H into the timer reload high and low byte registers and setting the prescale value to 128. If the Timer reaches FFFFH, the timer resets back to 0000H and continues counting.

### Timer Operating Modes

The timers can be configured to operate in the following modes:

#### ONE-SHOT Mode

In ONE-SHOT mode, the timer counts up to the 16-bit reload value stored in the timer reload high and low byte registers. The timer input is the system clock. On reaching the reload value, the timer generates an interrupt and the count value in the timer high and low byte registers is reset to 0001H. The timer is automatically disabled and stops counting.

Also, if the timer output Alternate function is enabled, the timer output pin changes state for one system clock cycle (from low to high or from high to low) on timer reload. For the timer output to make a state change at a ONE-SHOT time-out (rather than a single cycle pulse), first set the TPOL bit in the timer control register to the start value before enabling ONE-SHOT mode. After starting the timer, set TPOL to the opposite bit value.

Follow the steps below for configuring a timer for ONE-SHOT mode and for initiating the count:

1. Write to the timer control register to:
  - Disable the timer
  - Configure the timer for ONE-SHOT mode
  - Set the prescale value
  - Set the initial output level (high or low) if using the timer output Alternate function
2. Write to the timer high and low byte registers to set the starting count value.
3. Write to the timer reload high and low byte registers to set the reload value.
4. If appropriate, enable the timer interrupt and set the timer interrupt priority by writing to the relevant interrupt registers.
5. If using the timer Output function, configure the associated GPIO port pin for the timer output Alternate function.
6. Write to the timer control register to enable the timer and initiate counting.

In ONE-SHOT mode, the system clock always provides the timer input. The timer period is given by the following equation:

$$\text{One-Shot Mode Time-Out Period (s)} = \frac{(\text{Reload Value} - \text{Start Value}) \times \text{Prescale}}{\text{System Clock Frequency (Hz)}}$$

### CONTINUOUS Mode

In CONTINUOUS mode, the timer counts up to the 16-bit reload value stored in the timer reload high and low byte registers. The timer input is the system clock. On reaching the reload value, the timer generates an interrupt, the count value in the timer high and low byte registers is reset to 0001H and the counting resumes. Also, if the timer output Alternate function is enabled, the timer output pin changes state (from low to high or from high to low) at timer reload.

Follow the steps below for configuring a timer for CONTINUOUS mode and for initiating the count:

1. Write to the timer control register to:
  - Disable the timer
  - Configure the timer for CONTINUOUS mode
  - Set the prescale value
  - If using the timer output Alternate function, set the initial output level (high or low)
2. Write to the timer high and low byte registers to set the starting count value (usually 0001H). This action only affects the first pass in CONTINUOUS mode. After the first timer reload in CONTINUOUS mode, counting always begins at the reset value of 0001H.
3. Write to the timer reload high and low byte registers to set the reload value.
4. Enable the timer interrupt (if appropriate) and set the timer interrupt priority by writing to the relevant interrupt registers.
5. Configure the associated GPIO port pin (if using the timer output function) for the timer output alternate function.
6. Write to the timer control register to enable the timer and initiate counting.

In CONTINUOUS mode, the system clock always provides the timer input. The timer period is given by the following equation:

$$\text{Continuous Mode Time-Out Period (s)} = \frac{\text{Reload Value} \times \text{Prescale}}{\text{System Clock Frequency (Hz)}}$$

If an initial starting value other than 0001H is loaded into the timer high and low byte registers, use the ONE-SHOT mode equation to determine the first time-out period.

## COUNTER Mode

In COUNTER mode, the timer counts input transitions from a GPIO port pin. The timer input is taken from the GPIO port pin: timer input alternate function. The TPOL bit in the timer control register determines whether the count occurs on the rising edge or the falling edge of the timer input signal. In COUNTER mode, the prescaler is disabled.



**Caution:** *The input frequency of the timer input signal must not exceed one-fourth the system clock frequency.*

On reaching the reload value stored in the timer reload high and low byte registers, the timer generates an interrupt, the count value in the timer high and low byte registers is reset to 0001H and counting resumes. Also, if the timer output alternate function is enabled, the timer output pin changes state (from low to high or from high to low) at timer reload.

Follow the steps below for configuring a timer for COUNTER mode and for initiating the count:

1. Write to the timer control register to:
  - Disable the timer
  - Configure the timer for COUNTER mode
  - Select either the rising edge or falling edge of the timer input signal for the count. This selection also sets the initial logic level (high or low) for the timer output alternate function. However, the timer output function is not required to be enabled.
2. Write to the timer high and low byte registers to set the starting count value. This only affects the first pass in COUNTER mode. After the first timer reload in COUNTER mode, counting always begins at the reset value 0001H. In COUNTER mode, the timer high and low byte registers must be written with the value 0001H.
3. Write to the timer reload high and low byte registers to set the reload value.
4. If appropriate, enable the timer interrupt and set the timer interrupt priority by writing to the relevant interrupt registers.
5. Configure the associated GPIO port pin for the timer input alternate function.
6. If using the timer output function, configure the associated GPIO port pin for the timer output alternate function.
7. Write to the timer control register to enable the timer.

In COUNTER mode, the number of timer input transitions is given by the following equation:

$$\text{Counter Mode Timer Input Transitions} = \text{Current Count Value} - \text{Start Value}$$

## COMPARATOR COUNTER Mode

In COMPARATOR COUNTER mode, the timer counts the input transitions from the analog comparator output. The TPOL bit in the timer control register determines whether the count occurs on the rising edge or the falling edge of the comparator output signal. In COMPARATOR COUNTER mode, the prescaler is disabled.



**Caution:** *The frequency of the comparator output signal must not exceed one-fourth the system clock frequency.*

After reaching the reload value stored in the timer reload high and low byte registers, the timer generates an interrupt, the count value in the timer high and low byte registers is reset to 0001H and counting resumes. Also, if the timer output alternate function is enabled, the timer output pin changes state (from low to high or from high to low) at timer reload.

Follow the steps below for configuring a timer for COMPARATOR COUNTER mode and for initiating the count:

1. Write to the timer control register to:
  - Disable the timer
  - Configure the timer for COMPARATOR COUNTER mode.
  - Select either the rising edge or falling edge of the comparator output signal for the count. This also sets the initial logic level (high or low) for the timer output alternate function. However, the timer output function is not required to be enabled.
2. Write to the timer high and low byte registers to set the starting count value. This action only affects the first pass in COMPARATOR COUNTER mode. After the first timer reload in COMPARATOR COUNTER mode, counting always begins at the reset value 0001H. Generally, in COMPARATOR COUNTER mode, the timer high and low byte registers must be written with the value 0001H.
3. Write to the timer reload high and low byte registers to set the reload value.
4. If appropriate, enable the timer interrupt and set the timer interrupt priority by writing to the relevant interrupt registers.
5. If using the timer output function, configure the associated GPIO port pin for the timer output alternate function.
6. Write to the timer control register to enable the timer.

In COMPARATOR COUNTER mode, the number of comparator output transitions is given by the following equation:

$$\text{Comparator Output Transitions} = \text{Current Count Value} - \text{Start Value}$$

## PWM SINGLE OUTPUT Mode

In PWM SINGLE OUTPUT mode, the timer outputs a pulse width modulated (PWM) output signal through a GPIO port pin. The timer input is the system clock. The timer first counts up to 16-bit PWM match value stored in the timer PWM high and low byte registers. When the timer count value matches the PWM value, the timer output toggles. The timer continues counting until it reaches the reload value stored in the timer reload high and low byte registers. On reaching the reload value, the timer generates an interrupt, the count value in the timer high and low byte registers is reset to 0001H and counting resumes.

If the TPOL bit in the timer control register is set to 1, the timer output signal begins as a high (1) and transitions to a low (0) when the timer value matches the PWM value. The timer output signal returns to a high (1) after the timer reaches the reload value and is reset to 0001H.

If the TPOL bit in the timer control register is set to 0, the timer output signal begins as a low (0) and transitions to a high (1) when the timer value matches the PWM value. The timer output signal returns to a low (0) after the timer reaches the reload value and is reset to 0001H.

Follow the steps below for configuring a timer for PWM SINGLE OUTPUT mode and for initiating the PWM operation:

1. Write to the timer control register to:
  - Disable the timer
  - Configure the timer for PWM mode.
  - Set the prescale value.
  - Set the initial logic level (high or low) and PWM high/low transition for the timer output alternate function.
2. Write to the timer high and low byte registers to set the starting count value (typically 0001H). This only affects the first pass in PWM mode. After the first timer reset in PWM mode, counting always begins at the reset value of 0001H.
3. Write to the PWM high and low byte registers to set the PWM value.
4. Write to the timer reload high and low byte registers to set the reload value (PWM period). The reload value must be greater than the PWM value.
5. If appropriate, enable the timer interrupt and set the timer interrupt priority by writing to the relevant interrupt registers.
6. Configure the associated GPIO port pin for the timer output alternate function.
7. Write to the timer control register to enable the timer and initiate counting.



The PWM period is represented by the following equation:

$$\text{PWM Period (s)} = \frac{\text{Reload Value} \times \text{Prescale}}{\text{System Clock Frequency (Hz)}}$$

If an initial starting value other than 0001H is loaded into the timer high and low byte registers, use the ONE-SHOT mode equation to determine the first PWM time-out period.

If TPOL bit is set to 0, the ratio of the PWM output high time to the total period is represented by:

$$\text{PWM Output High Time Ratio (\%)} = \frac{\text{Reload Value} - \text{PWM Value}}{\text{Reload Value}} \times 100$$

If TPOL bit is set to 1, the ratio of the PWM output high time to the total period is represented by:

$$\text{PWM Output High Time Ratio (\%)} = \frac{\text{PWM Value}}{\text{Reload Value}} \times 100$$

### PWM DUAL OUTPUT Mode

In PWM DUAL OUTPUT mode, the timer outputs a PWM output signal pair (basic PWM signal and its complement) through two GPIO port pins. The timer input is the system clock. The timer first counts up to 16-bit PWM match value stored in the timer PWM high and low byte registers. When the timer count value matches the PWM value, the timer output toggles. The timer continues counting until it reaches the reload value stored in the timer reload high and low byte registers. On reaching the reload value, the timer generates an interrupt, the count value in the timer high and low byte registers is reset to 0001H and counting resumes.

If the TPOL bit in the timer control register is set to 1, the timer output signal begins as a high (1) and transitions to a low (0) when the timer value matches the PWM value. The timer output signal returns to a high (1) after the timer reaches the reload value and is reset to 0001H.

If the TPOL bit in the timer control register is set to 0, the timer output signal begins as a low (0) and transitions to a high (1) when the timer value matches the PWM value. The timer output signal returns to a low (0) after the timer reaches the reload value and is reset to 0001H.

The timer also generates a second PWM output signal: the timer output complement. The timer output complement is the complement of the timer output PWM signal. A programmable deadband delay can be configured to time delay (0 to 128 system clock cycles) PWM output transitions on these two pins from a low to a high (inactive to active). This ensures a time gap between the deassertion of one PWM output to the assertion of its complement.

Follow the steps below for configuring a timer for PWM DUAL OUTPUT mode and for initiating the PWM operation:

1. Write to the timer control register to:
  - Disable the timer
  - Configure the timer for PWM DUAL OUTPUT mode. Setting the mode also involves writing to TMODEHI bit in TxCTL1 register.
  - Set the prescale value.
  - Set the initial logic level (high or low) and PWM high/low transition for the timer output alternate function.
2. Write to the timer high and low byte registers to set the starting count value (typically 0001H). This only affects the first pass in PWM mode. After the first timer reset in PWM mode, counting always begins at the reset value of 0001H.
3. Write to the PWM high and low byte registers to set the PWM value.
4. Write to the PWM control register to set the PWM deadband delay value. The deadband delay must be less than the duration of the positive phase of the PWM signal (as defined by the PWM high and low byte registers). It must also be less than the duration of the negative phase of the PWM signal (as defined by the difference between the PWM registers and the timer reload registers).
5. Write to the timer reload high and low byte registers to set the reload value (PWM period). The reload value must be greater than the PWM value.
6. If appropriate, enable the timer interrupt and set the timer interrupt priority by writing to the relevant interrupt registers.
7. Configure the associated GPIO port pin for the timer output and timer output complement alternate functions. The timer output complement function is shared with the timer input function for both timers. Setting the timer mode to dual PWM, will automatically switch the function from timer-in to timer-out complement.
8. Write to the timer control register to enable the timer and initiate counting.

The PWM period is represented by the following equation:

$$\text{PWM Period (s)} = \frac{\text{Reload Value} \times \text{Prescale}}{\text{System Clock Frequency (Hz)}}$$

If an initial starting value other than 0001H is loaded into the timer high and low byte registers, the ONE-SHOT mode equation determines the first PWM time-out period.

If TPOL is set to 0, the ratio of the PWM output high time to the total period is represented by:

$$\text{PWM Output High Time Ratio (\%)} = \frac{\text{Reload Value} - \text{PWM Value}}{\text{Reload Value}} \times 100$$

If T<sub>POL</sub> is set to 1, the ratio of the PWM output high time to the total period is represented by:

$$\text{PWM Output High Time Ratio (\%)} = \frac{\text{PWM Value}}{\text{Reload Value}} \times 100$$

### CAPTURE Mode

In CAPTURE mode, the current timer count value is recorded when the appropriate external timer input transition occurs. The capture count value is written to the timer PWM high and low byte registers. The timer input is the system clock. The T<sub>POL</sub> bit in the timer control register determines if the capture occurs on a rising edge or a falling edge of the timer input signal.

When the Capture event occurs, an interrupt is generated and the timer continues counting. The INPCAP bit in TxCTL1 register is set to indicate the timer interrupt because of an input Capture event.

The timer continues counting up to the 16-bit reload value stored in the timer reload high and low byte registers. On reaching the reload value, the timer generates an interrupt and continues counting. The INPCAP bit in TxCTL1 register clears, indicating the timer interrupt is not because of an input Capture event.

Follow the steps below for configuring a timer for CAPTURE mode and initiating the count:

1. Write to the timer control register to:
  - Disable the timer
  - Configure the timer for CAPTURE mode.
  - Set the prescale value.
  - Set the capture edge (rising or falling) for the timer input.
2. Write to the timer high and low byte registers to set the starting count value (typically 0001H).
3. Write to the timer reload high and low byte registers to set the reload value.
4. Clear the timer PWM high and low byte registers to 0000H. Clearing these registers allows user software to determine if interrupts were generated either by a Capture event or by a reload. If the PWM high and low byte registers still contain 0000H after the interrupt, the interrupt were generated by a reload.
5. Enable the timer interrupt, if appropriate, and set the timer interrupt priority by writing to the relevant interrupt registers. By default, the timer interrupt is generated for both input capture and Reload events. If appropriate, configure the timer interrupt to be generated only at the input Capture event or the Reload event by setting TICONFIG field of the TxCTL1 register.

6. Configure the associated GPIO port pin for the timer input alternate function.
7. Write to the timer control register to enable the timer and initiate counting.

In CAPTURE mode, the elapsed time between the timer start and the Capture event can be calculated using the following equation:

$$\text{Capture Elapsed Time (s)} = \frac{(\text{Capture Value} - \text{Start Value}) \times \text{Prescale}}{\text{System Clock Frequency (Hz)}}$$

### CAPTURE RESTART Mode

In CAPTURE RESTART mode, the current timer count value is recorded when the acceptable external timer input transition occurs. The capture count value is written to the timer PWM high and low byte registers. The timer input is the system clock. The TPOL bit in the timer control register determines whether the capture occurs on a rising edge or a falling edge of the timer input signal. When the capture event occurs, an interrupt is generated and the count value in the timer high and low byte registers is reset to 0001H and counting resumes. The INPCAP bit in TxCTL1 register is set to indicate, the timer interrupt is caused by an input Capture event.

If no Capture event occurs, the timer counts up to 16-bit compare value stored in the timer reload high and low byte registers. On reaching the reload value, the timer generates an interrupt, the count value in the timer high and low byte registers is reset to 0001H and counting resumes. The INPCAP bit in TxCTL1 register is cleared to indicate the timer interrupt is not caused by an input Capture event.

Follow the steps below for configuring a timer for CAPTURE RESTART mode and for initiating the count:

1. Write to the timer control register to:
  - Disable the timer
  - Configure the timer for CAPTURE RESTART mode. Setting the mode also involves writing to TMODEHI bit in TxCTL1 register.
  - Set the prescale value.
  - Set the capture edge (rising or falling) for the timer input.
2. Write to the timer high and low byte registers to set the starting count value (typically 0001H).
3. Write to the timer reload high and low byte registers to set the reload value.
4. Clear the timer PWM high and low byte registers to 0000H. This allows user software to determine if interrupts are generated by either a Capture event or a reload. If the PWM high and low byte registers still contain 0000H after the interrupt, the interrupt were generated by a reload.
5. Enable the timer interrupt, if appropriate, and set the timer interrupt priority by writing to the relevant interrupt registers. By default, the timer interrupt is generated for both

input capture and Reload events. You can configure the timer interrupt to be generated only at the input Capture event or the Reload event by setting TICONFIG field of the TxCTL1 register.

6. Configure the associated GPIO port pin for the timer input alternate function.
7. Write to the timer control register to enable the timer and initiate counting.

In CAPTURE mode, the elapsed time between the timer start and the Capture event can be calculated using the following equation:

$$\text{Capture Elapsed Time (s)} = \frac{(\text{Capture Value} - \text{Start Value}) \times \text{Prescale}}{\text{System Clock Frequency (Hz)}}$$

### COMPARE Mode

In COMPARE mode, the timer counts up to 16-bit maximum compare value stored in the timer reload high and low byte registers. The timer input is the system clock. On reaching the compare value, the timer generates an interrupt and counting continues (the timer value is not reset to 0001H). Also, if the timer output alternate function is enabled, the timer output pin changes state (from low to high or from high to low) upon compare.

If the timer reaches FFFFH, the timer resets to 0000H and continues counting.

Follow the steps below for configuring a timer for COMPARE mode and for initiating the count:

1. Write to the timer control register to:
  - Disable the timer
  - Configure the timer for COMPARE mode.
  - Set the prescale value.
  - Set the initial logic level (high or low) for the timer output alternate function.
2. Write to the timer high and low byte registers to set the starting count value.
3. Write to the timer reload high and low byte registers to set the compare value.
4. Enable the timer interrupt and set the timer interrupt priority by writing to the relevant interrupt registers.
5. If using the timer output function, configure the associated GPIO port pin for the timer output alternate function.
6. Write to the timer control register to enable the timer and initiate counting.

In COMPARE mode, the system clock always provides the timer input. The compare time can be calculated by the following equation:

$$\text{Compare Mode Time (s)} = \frac{(\text{Compare Value} - \text{Start Value}) \times \text{Prescale}}{\text{System Clock Frequency (Hz)}}$$

## GATED Mode

In GATED mode, the timer counts only when the timer input signal is in its Active state (asserted), as determined by the TPOL bit in the timer control register. When the timer input signal is asserted, counting begins. A timer interrupt is generated when the timer input signal is deasserted or a timer reload occurs. To determine whether the timer input signal deassertion generated the interrupt, read the associated GPIO input value and compare to the value stored in the TPOL bit.

The timer counts up to the 16-bit reload value stored in the timer reload high and low byte registers. The timer input is the system clock. On reaching the reload value, the timer generates an interrupt, the count value in the timer high and low byte registers is reset to 0001H and counting resumes (assuming the timer input signal remains asserted). Also, if the timer output alternate function is enabled, the timer output pin changes state (from low to high or from high to low) at timer reset.

Follow the steps below for configuring a timer for GATED mode and for initiating the count:

1. Write to the timer control register to:
  - Disable the timer
  - Configure the timer for GATED mode.
  - Set the prescale value.
2. Write to the timer high and low byte registers to set the starting count value. Writing these registers only affects the first pass in GATED mode. After the first timer reset in GATED mode, counting always begins at the reset value of 0001H.
3. Write to the timer reload high and low byte registers to set the reload value.
4. Enable the timer interrupt and set the timer interrupt priority by writing to the relevant interrupt registers. By default, the timer interrupt is generated for both input deassertion and Reload events. You can configure the timer interrupt to be generated only at the input deassertion event or the Reload event by setting TICONFIG field of the TxCTL1 register.
5. Configure the associated GPIO port pin for the timer input alternate function.
6. Write to the timer control register to enable the timer.
7. Assert the timer input signal to initiate the counting.

## CAPTURE/COMPARE Mode

In CAPTURE/COMPARE mode, the timer begins counting on the first external timer input transition. The acceptable transition (rising edge or falling edge) is set by the TPOL bit in the timer control register. The timer input is the system clock.

Every subsequent acceptable transition (after the first) of the timer input signal, captures the current count value. The capture value is written to the timer PWM high and low byte

registers. When the Capture event occurs, an interrupt is generated, the count value in the timer high and low byte registers is reset to 0001H and the counting resumes. The INPCAP bit in TxCTL1 register is set to indicate that the timer interrupt is caused by an input Capture event.

If no Capture event occurs, the timer counts up to the 16-bit compare value stored in the timer reload high and low byte registers. On reaching the compare value, the timer generates an interrupt, the count value in the timer high and low byte registers is reset to 0001H and counting resumes. The INPCAP bit in TxCTL1 register is cleared to indicate that the timer interrupt is not caused by an input Capture event.

Follow the steps below for configuring a timer for CAPTURE/COMPARE mode and for initiating the count:

1. Write to the timer control register to:
  - Disable the timer
  - Configure the timer for CAPTURE/COMPARE mode.
  - Set the prescale value.
  - Set the capture edge (rising or falling) for the timer input.
2. Write to the timer high and low byte registers to set the starting count value (typically 0001H).
3. Write to the timer reload high and low byte registers to set the compare value.
4. Enable the timer interrupt and set the timer interrupt priority by writing to the relevant interrupt registers. By default, the timer interrupt are generated for both input capture and Reload events. You can configure the timer interrupt to be generated only at the input Capture event or the Reload event by setting TICONFIG field of the TxCTL1 register.
5. Configure the associated GPIO port pin for the timer input alternate function.
6. Write to the timer control register to enable the timer.
7. Counting begins on the first appropriate transition of the timer input signal. No interrupt is generated by the first edge.

In CAPTURE/COMPARE mode, the elapsed time from timer start to Capture event can be calculated using the following equation:

$$\text{Capture Elapsed Time (s)} = \frac{(\text{Capture Value} - \text{Start Value}) \times \text{Prescale}}{\text{System Clock Frequency (Hz)}}$$

## Reading the Timer Count Values

The current count value in the timers can be read while counting (enabled). This capability has no effect on Timer operation. When the timer is enabled and the timer high byte

register is read, the contents of the timer low byte register are placed in a holding register. A subsequent read from the timer low byte register returns the value in the holding register. This operation allows accurate reads of the full 16-bit timer count value when enabled. When the timers are not enabled, a read from the timer low byte register returns the actual value in the counter.

## Timer Pin Signal Operation

Timer output is a GPIO port pin alternate function. The timer output is toggled every time the counter is reloaded.

The timer input can be used as a selectable counting source. It shares the same pin as the complementary timer output. When selected by the GPIO alternate function registers, this pin functions as a timer input in all modes except for the DUAL PWM OUTPUT mode. For this mode, no timer input is available.

## Timer Control Register Definitions

### Timer 0–1 High and Low Byte Registers

The Timer 0–1 high and low byte (TxH and TxL) registers (Table 47 and Table 48) contain the current 16-bit timer count value. When the timer is enabled, a read from TxH causes the value in TxL to be stored in a temporary holding register. A read from TxL always returns this temporary register content when the timer is enabled, however, when the timer is disabled, a read from the TxL reads the TxL register content directly.

Writing to the timer high and low byte registers, while the timer is enabled is not recommended. There are no temporary holding registers available for Write operations, so simultaneous 16-bit writes are not possible. If either the timer high or low byte registers are written during counting, the 8-bit written value is placed in the counter (high or low byte) at the next clock edge. The counter continues counting from the new value.

**Table 47. Timer 0–1 High Byte Register (TxH)**

BITS	7	6	5	4	3	2	1	0
FIELD	TH							
RESET	0	0	0	0	0	0	0	0
R/W	R/W	R/W	R/W	R/W	R/W	R/W	R/W	R/W
ADDR	F00H, F08H							



**Table 48. Timer 0–1 Low Byte Register (TxL)**

BITS	7	6	5	4	3	2	1	0
FIELD	TL							
RESET	0	0	0	0	0	0	0	1
R/W	R/W	R/W	R/W	R/W	R/W	R/W	R/W	R/W
ADDR	F01H, F09H							

TH and TL—Timer high and low bytes  
These 2 bytes, {TH[7:0], TL[7:0]}, contain the current 16-bit timer count value.

### Timer Reload High and Low Byte Registers

The timer 0–1 reload high and low byte (TxRH and TxRL) registers (Table 49 and Table 50) store a 16-bit reload value, {TRH[7:0], TRL[7:0]}. Values written to the timer reload high byte register are stored in a temporary holding register. When a write to the timer reload low byte register occurs, the temporary holding register value is written to the timer high byte register. This operation allows simultaneous updates of the 16-bit timer reload value.

In COMPARE mode, the timer reload high and low byte registers store the 16-bit compare value.

**Table 49. Timer 0–1 Reload High Byte Register (TxRH)**

BITS	7	6	5	4	3	2	1	0
FIELD	TRH							
RESET	1	1	1	1	1	1	1	1
R/W	R/W	R/W	R/W	R/W	R/W	R/W	R/W	R/W
ADDR	F02H, F0AH							

**Table 50. Timer 0–1 Reload Low Byte Register (TxRL)**

BITS	7	6	5	4	3	2	1	0
FIELD	TRL							
RESET	1	1	1	1	1	1	1	1
R/W	R/W	R/W	R/W	R/W	R/W	R/W	R/W	R/W
ADDR	F03H, F0BH							

TRH and TRL—Timer reload register high and low  
These two bytes form the 16-bit reload value, {TRH[7:0], TRL[7:0]}. This value sets the

maximum count value, which initiates a timer reload to 0001H. In COMPARE mode, these two bytes form the 16-bit compare value.

## Timer 0-1 PWM High and Low Byte Registers

The timer 0-1 PWM high and low byte (TxPWMH and TxPWML) registers (Table 51 and Table 52) controls the PWM operations. These registers also store the capture values for the capture and CAPTURE/COMPARE modes.

**Table 51. Timer 0–1 PWM High Byte Register (TxPWMH)**

BITS	7	6	5	4	3	2	1	0
FIELD	PWMH							
RESET	0	0	0	0	0	0	0	0
R/W	R/W	R/W	R/W	R/W	R/W	R/W	R/W	R/W
ADDR	F04H, F0CH							

**Table 52. Timer 0–1 PWM Low Byte Register (TxPWML)**

BITS	7	6	5	4	3	2	1	0
FIELD	PWML							
RESET	0	0	0	0	0	0	0	0
R/W	R/W	R/W	R/W	R/W	R/W	R/W	R/W	R/W
ADDR	F05H, F0DH							

PWMH and PWML—Pulse Width Modulator high and low bytes

These two bytes, {PWMH[7:0], PWML[7:0]}, form a 16-bit value that is compared to the current 16-bit timer count. When a match occurs, the PWM output changes state. The PWM output value is set by the TPOL bit in the timer control register (TxCTL1).

The TxPWMH and TxPWML registers also store the 16-bit captured timer value when operating in capture or CAPTURE/COMPARE modes.

## Timer 0–1 Control Registers

### Time 0–1 Control Register 0

The timer control register 0 (TxCTL0) and timer control register 1 (TxCTL1) determine the timer operating mode. It also includes a programmable PWM deadband delay, two bits to configure timer interrupt definition, and a status bit to identify, if the most recent timer interrupt is caused by an input Capture event.

**Table 53. Timer 0–1 Control Register 0 (TxCTL0)**

<b>BITS</b>	<b>7</b>	<b>6</b>	<b>5</b>	<b>4</b>	<b>3</b>	<b>2</b>	<b>1</b>	<b>0</b>
<b>FIELD</b>	TMODEHI	TICONFIG		Reserved	PWMD			INPCAP
<b>RESET</b>	0	0	0	0	0	0	0	0
<b>R/W</b>	R/W	R/W	R/W	R/W	R/W	R/W	R/W	R/W
<b>ADDR</b>	F06H, F0EH							

**TMODEHI**—Timer mode high bit

This bit along with the TMODE field in TxCTL1 register determines the operating mode of the timer. This is the most significant bit of the timer mode selection value. See the TxCTL1 register description on the next page for additional details.

**TICONFIG**—Timer interrupt configuration

This field configures timer interrupt definition.

0x = Timer interrupt occurs on all the defined reload, compare and Input events.

10 = Timer interrupt occurs only on defined Input Capture/Deassertion events.

11 = Timer interrupt occurs only on defined Reload/Compare events.

**PWMD**—PWM delay value

This field is a programmable delay to control the number of system clock cycles delay before the timer output and the timer output complement are forced to their Active state.

- 000 = No delay
- 001 = 2 cycles delay
- 010 = 4 cycles delay
- 011 = 8 cycles delay
- 100 = 16 cycles delay
- 101 = 32 cycles delay
- 110 = 64 cycles delay
- 111 = 128 cycles delay

**INPCAP**—Input Capture event

This bit indicates whether the most recent timer interrupt is caused by a timer input Capture event.

0 = Previous timer interrupt is not caused by timer input Capture event

1 = Previous timer interrupt is caused by timer input Capture event

### Timer 0–1 Control Register 1

The timer 0–1 control (TxCTL1) registers enable/disable the timers, set the prescaler value, and determine the timer operating mode.

**Table 54. Timer 0–1 Control Register 1 (TxCTL1)**

BITS	7	6	5	4	3	2	1	0
FIELD	TEN	TPOL	PRES			TMODE		
RESET	0	0	0	0	0	0	0	0
R/W	R/W	R/W	R/W	R/W	R/W	R/W	R/W	R/W
ADDR	F07H, F0FH							

TEN—Timer enable  
0 = Timer is disabled.  
1 = Timer enabled to count.

TPOL—Timer input/output polarity  
Operation of this bit is a function of the current operating mode of the timer.

#### ONE-SHOT Mode

When the timer is disabled, the timer output signal is set to the value of this bit. When the timer is enabled, the timer output signal is complemented on timer reload.

#### CONTINUOUS Mode

When the timer is disabled, the timer output signal is set to the value of this bit. When the timer is enabled and reloaded, the timer output signal is complemented.

#### COUNTER Mode

If the timer is disabled, the timer output signal is set to the value of this bit. If the timer is enabled the timer output signal is complemented after timer reload.

0 = Count occurs on the rising edge of the timer input signal.  
1 = Count occurs on the falling edge of the timer input signal.

#### PWM SINGLE OUTPUT Mode

0 = Timer output is forced low (0), when the timer is disabled. The timer output is forced high (1), when the timer is enabled and the PWM count matches and the timer output is forced low (0), when the timer is enabled and reloaded.

1 = Timer output is forced high (1), when the timer is disabled. The timer output is forced low(0), when the timer is enabled and the PWM count matches and forced high (1) when the timer is enabled and reloaded.

#### CAPTURE Mode

0 = Count is captured on the rising edge of the timer input signal.  
1 = Count is captured on the falling edge of the timer input signal.

**COMPARE Mode**

When the timer is disabled, the timer output signal is set to the value of this bit. When the timer is enabled and reloaded, the timer output signal is complemented.

**GATED Mode**

0 = Timer counts when the timer input signal is high (1) and interrupts are generated on the falling edge of the timer input.

1 = Timer counts when the timer input signal is low (0) and interrupts are generated on the rising edge of the timer input.

**CAPTURE/COMPARE Mode**

0 = Counting is started on the first rising edge of the timer input signal. The current count is captured on subsequent rising edges of the timer input signal.

1 = Counting is started on the first falling edge of the timer input signal. The current count is captured on subsequent falling edges of the timer input signal.

**PWM DUAL OUTPUT Mode**

0 = Timer output is forced low (0) and timer output complement is forced high (1), when the timer is disabled. When enabled and the PWM count matches, the timer output is forced high (1) and forced low (0) when enabled and reloaded. When enabled and the PWM count matches, the timer output complement is forced low (0) and forced high (1) when enabled and reloaded.

1 = Timer output is forced high (1) and timer output complement is forced low (0) when the timer is disabled. When enabled and the PWM count matches, the timer output is forced low (0) and forced high (1) when enabled and reloaded. When enabled and the PWM count matches, the timer output complement is forced high (1) and forced low (0) when enabled and reloaded. The PWMD field in the TxCTL0 register determines an optional added delay on the assertion (low to high) transition of both timer output and timer output complement for deadband generation.

**CAPTURE RESTART Mode**

0 = Count is captured on the rising edge of the timer input signal.

1 = Count is captured on the falling edge of the timer input signal.

**COMPARATOR COUNTER Mode**

When the timer is disabled, the timer output signal is set to the value of this bit. When the timer is enabled, the timer output signal is complemented on timer reload.



**Caution:** *When the timer output alternate function TxOUT on a GPIO port pin is enabled, TxOUT will change to whatever state the TPOL bit is in. The timer does not need to be enabled for that to happen. Also, the port data direction sub register is not needed to be set to output on TxOUT. Changing the TPOL bit when the timer is enabled and running does not immediately change the polarity TxOUT.*

PRES—Prescale value.

The timer input clock is divided by  $2^{\text{PRES}}$ , where PRES can be set from 0 to 7. The

prescaler is reset each time the timer is disabled. This reset ensures proper clock division each time the timer is restarted.

- 000 = Divide by 1
- 001 = Divide by 2
- 010 = Divide by 4
- 011 = Divide by 8
- 100 = Divide by 16
- 101 = Divide by 32
- 110 = Divide by 64
- 111 = Divide by 128

**TMODE**—Timer mode

This field along with the TMODEHI bit in TxCTL0 register determines the operating mode of the timer. TMODEHI is the most significant bit of the timer mode selection value.

- 0000 = ONE-SHOT mode
- 0001 = CONTINUOUS mode
- 0010 = COUNTER mode
- 0011 = PWM SINGLE OUTPUT mode
- 0100 = CAPTURE mode
- 0101 = COMPARE mode
- 0110 = GATED mode
- 0111 = CAPTURE/COMPARE mode
- 1000 = PWM DUAL OUTPUT mode
- 1001 = CAPTURE RESTART mode
- 1010 = COMPARATOR COUNTER mode

# Watchdog Timer

The Watchdog Timer (WDT) protects from corrupted or unreliable software, power faults, and other system-level problems, which may place the Z8 Encore!® F0830 Series devices into unsuitable operating states. The features of Watchdog Timer include:

- On-chip RC oscillator
- A selectable time-out response: reset or interrupt
- 24-bit programmable time-out value

## Operation

The Watchdog Timer is a re-triggerable one-shot timer that resets or interrupts the Z8 Encore! F0830 Series devices when the WDT reaches its terminal count. The WDT uses a dedicated on-chip RC oscillator as its clock source. The WDT operates only in two modes: ON and OFF. Once enabled, it always counts and must be refreshed to prevent a time-out. Perform an enable by executing the WDT instruction or by setting the WDT\_AO Flash option bit. The WDT\_AO bit forces the WDT to operate immediately on reset, even if a WDT instruction has not been executed.

The Watchdog Timer is a 24-bit reloadable downcounter that uses three 8-bit registers in the eZ8 CPU register space to set the reload value. The nominal WDT time-out period is calculated using the following equation:

$$\text{WDT Time-out Period (ms)} = \frac{\text{WDT Reload Value}}{10}$$

where the WDT reload value is the 24-bit decimal value given by {WDTU[7:0], WDTH[7:0], WDTL[7:0]} and the typical Watchdog Timer RC oscillator frequency is 10 KHz. The Watchdog Timer cannot be refreshed after it reaches 000002H. The WDT reload value must not be set to values below 000004H. [Table 55](#) provides information about approximate time-out delays for the minimum and maximum WDT reload values.

**Table 55. Watchdog Timer Approximate Time-Out Delays**

WDT Reload Value (Hex)	WDT Reload Value (Decimal)	Approximate Time-Out Delay (with 10 kHz typical WDT oscillator frequency)	
		Typical	Description
000004	4	400 μs	Minimum time-out delay

Table 55. Watchdog Timer Approximate Time-Out Delays (Continued)

WDT Reload Value (Hex)	WDT Reload Value (Decimal)	Approximate Time-Out Delay (with 10 kHz typical WDT oscillator frequency)	
		Typical	Description
000400	1024	102 ms	Default time-out delay
FFFFFF	16,777,215	28 minutes	Maximum time-out delay

## Watchdog Timer Refresh

On first enable, the Watchdog Timer is loaded with the value in the Watchdog Timer reload registers. The Watchdog Timer counts down to 000000H unless a WDT instruction is executed by the eZ8 CPU. Execution of the WDT instruction causes the downcounter to be reloaded with the WDT reload value stored in the Watchdog Timer reload registers. Counting resumes following the Reload operation.

When the Z8 Encore!® F0830 Series devices are operating in DEBUG mode (using the On-Chip Debugger), the Watchdog Timer needs to be continuously refreshed to prevent any WDT time-outs.

## Watchdog Timer Time-Out Response

The Watchdog Timer times out when the counter reaches 000000H. A time-out of the Watchdog Timer generates either an interrupt or a system reset. The WDT\_RES Flash option bit determines the time-out response of the Watchdog Timer. See [Flash Option Bits](#) on page 117 for information regarding programming of the WDT\_RES Flash option bit.

### WDT Interrupt in Normal Operation

If configured to generate an interrupt when a time-out occurs, the Watchdog Timer issues an interrupt request to the interrupt controller and sets the WDT status bit in the reset status register. If interrupts are enabled, the eZ8 CPU responds to the interrupt request by fetching the Watchdog Timer interrupt vector and executing code from the vector address. After time-out and interrupt generation, the Watchdog Timer counter resets to its maximum value of FFFFFFFH and continues counting. The Watchdog Timer counter will not automatically return to its reload value.

The reset status register ([Table 11](#) on page 30) must be read before clearing the WDT interrupt. This read clears the WDT time-out flag and prevents further WDT interrupts occurring immediately.



### WDT Interrupt in STOP Mode

If configured to generate an interrupt when a time-out occurs and the Z8 Encore!® F0830 Series devices are in STOP mode, the Watchdog Timer automatically initiates a Stop Mode Recovery and generates an interrupt request. Both the WDT status bit and the STOP bit in the Watchdog Timer control register are set to 1 following a WDT time-out in STOP mode. See [Reset and Stop Mode Recovery](#) on page 23 for more information about Stop Mode Recovery.

If interrupts are enabled, following completion of the Stop Mode Recovery, the eZ8 CPU responds to the interrupt request by fetching the Watchdog Timer interrupt vector and executes the code from the vector address.

### WDT Reset in Normal Operation

If configured to generate a reset when a time-out occurs, the Watchdog Timer forces the device into the System Reset state. The WDT status bit in the Watchdog Timer control register is set to 1. See [Reset and Stop Mode Recovery](#) on page 23 for more information about system reset.

### WDT Reset in STOP Mode

If configured to generate a reset when a time-out occurs and the device is in STOP mode, the Watchdog Timer initiates a Stop Mode Recovery. Both the WDT status bit and the STOP bit in the Watchdog Timer control register are set to 1 following WDT time-out in STOP mode. See [Reset and Stop Mode Recovery](#) on page 23 for more information.

## Watchdog Timer Reload Unlock Sequence

Writing the unlock sequence to the Watchdog Timer (WDTCTL) control register address, unlocks the three Watchdog Timer reload byte registers (WDTU, WDTH, and WDTL) to allow changes to the time-out period. These Write operations to the WDTCTL register address produce no effect on the bits in the WDTCTL register. The locking mechanism prevents spurious writes to the reload registers. The following sequence is required to unlock the Watchdog Timer reload byte registers (WDTU, WDTH, and WDTL) for write access:

1. Write 55H to the Watchdog Timer control register (WDTCTL).
2. Write AAH to the Watchdog Timer control register (WDTCTL).
3. Write the Watchdog Timer reload upper byte register (WDTU).
4. Write the Watchdog Timer reload high byte register (WDTH).
5. Write the Watchdog Timer reload low byte register (WDTL).

All three Watchdog Timer reload registers must be written in the order listed above. There must be no other register writes between each of these operations. If a register write

occurs, the lock state machine resets and no further writes can occur unless the sequence is restarted. The value in the Watchdog Timer reload registers is loaded into the counter when the Watchdog Timer is first enabled and every time a WDT instruction is executed.

## Watchdog Timer Control Register Definitions

### Watchdog Timer Control Register

The Watchdog Timer control (WDTCTL) register is a write-only control register. Writing the unlock sequence: 55H, AAH to the WDTCTL register address unlocks the three Watchdog Timer reload byte registers (WDTU, WDTH, and WDTL) to allow changes to the time-out period. These Write operations to the WDTCTL register address have no effect on the bits in the WDTCTL register. The locking mechanism prevents spurious writes to the reload registers.

This register address is shared with the read-only reset status register.

**Table 56. Watchdog Timer Control Register (WDTCTL)**

BITS	7	6	5	4	3	2	1	0
FIELD	WDTUNLK							
RESET	X	X	X	X	X	X	X	X
R/W	W	W	W	W	W	W	W	W
ADDR	FF0H							

WDTUNLK—Watchdog Timer unlock

The user software must write the correct unlocking sequence to this register before it is allowed to modify the contents of the Watchdog Timer reload registers.

### Watchdog Timer Reload Upper, High, and Low Byte Registers

The Watchdog Timer reload upper, high and low byte (WDTU, WDTH, WDTL) registers (Table 57 through Table 59 on page 89) form the 24-bit reload value {WDTU[7:0], WDTH[7:0], WDTL[7:0]} that is loaded into the Watchdog Timer, when a WDT instruction is executed. Writing to these registers sets the appropriate reload value. Reading from these registers returns the current Watchdog Timer count value.



**Caution:** *The 24-bit WDT reload value must not be set to a value less than 000004H.*

**Table 57. Watchdog Timer Reload Upper Byte Register (WDTU)**

BITS	7	6	5	4	3	2	1	0
FIELD	WDTU							
RESET	0	0	0	0	0	0	0	0
R/W	R/W*	R/W*	R/W*	R/W*	R/W*	R/W*	R/W*	R/W*
ADDR	FF1H							
R/W* - Read returns the current WDT count value. Write sets the appropriate reload value.								

WDTU—WDT reload upper byte  
Most significant byte (MSB), Bits[23:16], of the 24-bit WDT reload value.

**Table 58. Watchdog Timer Reload High Byte Register (WDTH)**

BITS	7	6	5	4	3	2	1	0
FIELD	WDTH							
RESET	0	0	0	0	0	1	0	0
R/W	R/W*	R/W*	R/W*	R/W*	R/W*	R/W*	R/W*	R/W*
ADDR	FF2H							
R/W* - Read returns the current WDT count value. Write sets the appropriate reload value.								

WDTH—WDT reload high byte  
Middle byte, Bits[15:8], of the 24-bit WDT reload value.

**Table 59. Watchdog Timer Reload Low Byte Register (WDTL)**

BITS	7	6	5	4	3	2	1	0
FIELD	WDTL							
RESET	0	0	0	0	0	0	0	0
R/W	R/W*	R/W*	R/W*	R/W*	R/W*	R/W*	R/W*	R/W*
ADDR	FF3H							
R/W* - Read returns the current WDT count value. Write sets the appropriate Reload Value.								

WDTL—WDT reload low  
Least significant byte (LSB), Bits[7:0], of the 24-bit WDT reload value.



# Analog-to-Digital Converter

The Z8 Encore!® includes an eight-channel Successive Approximation Register (SAR) Analog-to-Digital Converter (ADC). The ADC converts an analog input signal to a 10-bit binary number. The features of the SAR ADC include:

- Eight analog input sources multiplexed with general purpose I/O ports
- Fast conversion time, less than 11.9  $\mu\text{s}$
- Programmable timing controls
- Interrupt on conversion complete
- Internal voltage reference generator
- Ability to select external reference voltage
- When configuring ADC using external Vref, PB5 is used as Vref in 28-pin package.

## Architecture

The ADC architecture, as displayed in [Figure 11](#), consists of an 8-input multiplexer, sample-and-hold amplifier, and 10-bit SAR ADC. The ADC digitizes the signal on a selected channel and stores the digitized data in the ADC data registers. In an environment with high electrical noise, an external RC filter must be added at the input pins to reduce high-frequency noise.

$$T_{\text{conv}} = T_{\text{s/h}} + T_{\text{con}}$$

$$T_{\text{conv}} = T_{\text{s}} + T_{\text{h}} + 13 * \text{SCLK} * 16$$

where,

SCLK = System clock

Tconv = Total conversion time

Ts = Sample time (SCLK\*ADCST)

Tcon = Conversion time (13\*SCLK\*16)

Th = Hold time (SCLK\*ADCSST)

DIV = 16 (Fixed to 16 divide for this product)

Example (F0830 @ 20 MHz)

$$T_{\text{conv}} = 1\mu\text{S} + 0.5\mu\text{S} + 13 * \text{SCLK} * \text{DIV}$$

$$T_{\text{conv}} = 1\mu\text{S} + 0.5\mu\text{S} + 13 * (1/20\text{MHz}) * 16 = 11.9 \mu\text{s}$$

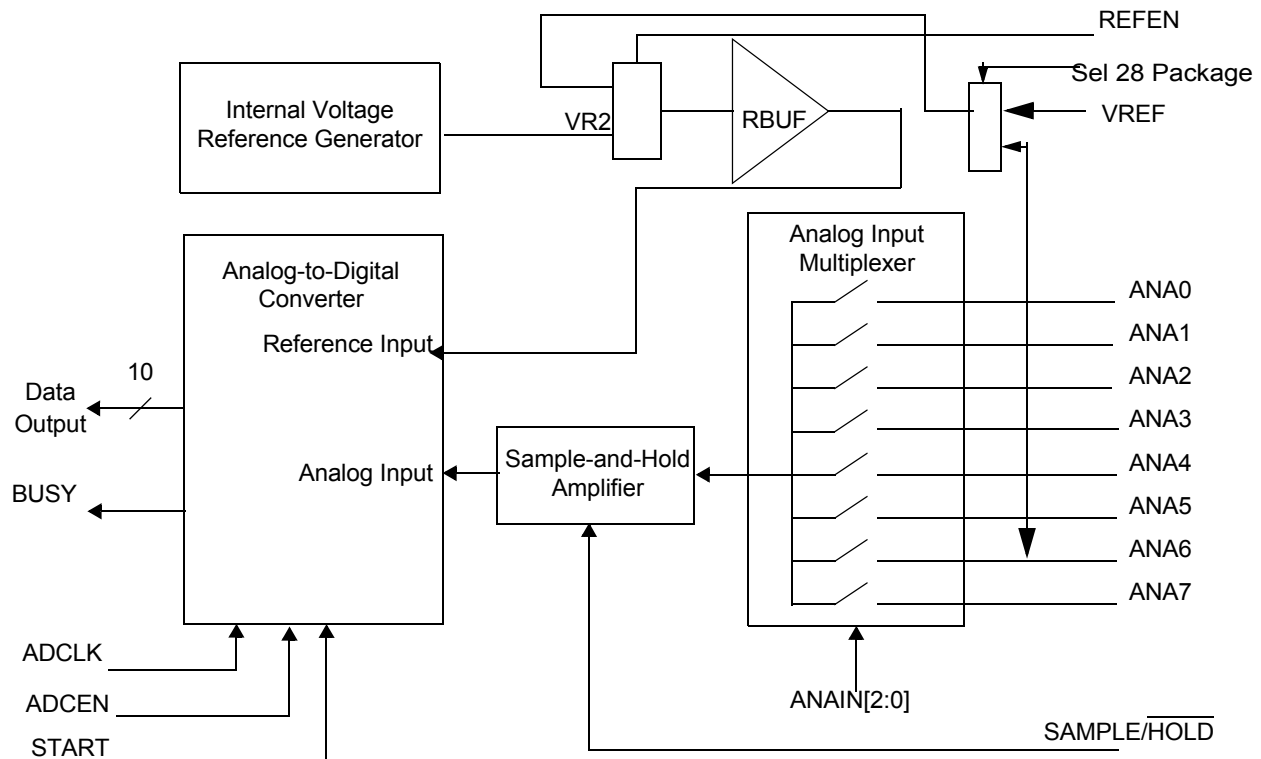


Figure 11. Analog-to-Digital Converter Block Diagram

## Operation

The ADC converts the analog input,  $ANA_X$ , to a 10-bit digital representation. The equation for calculating the digital value is represented by:

$$\text{ADCOutput} = 1024 \times (ANA_X \div V_{\text{REF}})$$

Assuming zero gain and offset errors, any voltage outside the ADC input limits of  $AV_{\text{SS}}$  and  $V_{\text{REF}}$  returns all 0s or 1s, respectively. A new conversion can be initiated by a software to the ADC control register's start bit.

Initiating a new conversion, stops any conversion currently in progress and begins a new conversion. To avoid disrupting a conversion already in progress, the START bit can be read to determine ADC operation status (busy or available).

## ADC Timing

Each ADC measurement consists of three phases:

1. Input sampling (programmable, minimum of 1.0  $\mu$ s)
2. Sample-and-hold amplifier settling (programmable, minimum of 0.5  $\mu$ s)
3. Conversion is 13 ADCLK cycles.

Figure 12 displays the timing of an ADC conversion.

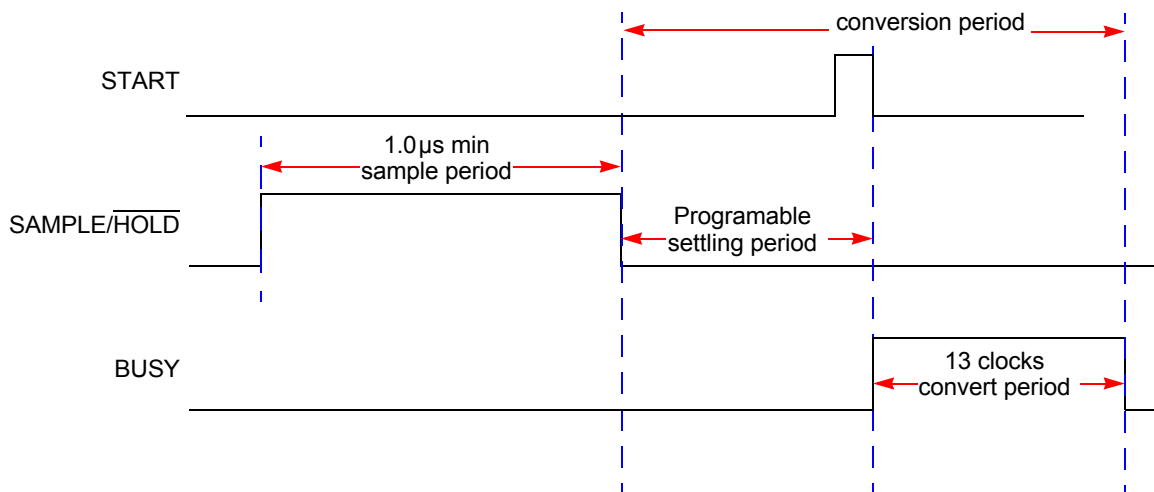


Figure 12. ADC Timing Diagram

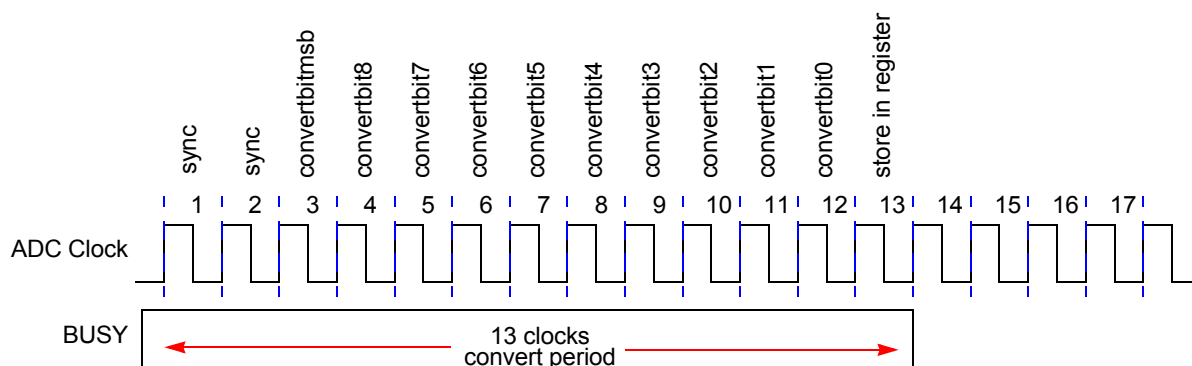


Figure 13. ADC Convert Timing

## ADC Interrupt

The ADC can generate an interrupt request when a conversion has been completed. An interrupt request that is pending when the ADC is disabled is not cleared automatically.

## Reference Buffer

The reference buffer, RBUF, supplies the reference voltage for the ADC. When enabled, the internal voltage reference generator supplies the ADC. When RBUF is disabled, the ADC must have the reference voltage supplied externally through the  $V_{REF}$  pin in 28-pin package. RBUF is controlled by the REFEN bit in the ADC control register.

## Internal Voltage Reference Generator

The internal voltage reference generator provides the voltage  $VR_2$ , for the RBUF.  $VR_2$  is 2 V.

## Calibration and Compensation

A user can perform calibration and store the values into Flash, or the user code can perform a manual offset calibration. There is no provision for manual gain calibration.

## ADC Control Register Definitions

The ADC control registers are defined in the following paragraphs.

### ADC Control Register 0

The ADC control register 0 initiates the A/D conversion and provides ADC status information. See [Table 60](#).

**Table 60. ADC Control Register 0 (ADCCTL0)**

BITS	7	6	5	4	3	2	1	0
FIELD	START	Reserved	REFEN	ADCEN	Reserved	ANAIN[2:0]		
RESET	0	0	0	0	0	0	0	0
R/W	R/W1	R/W	R/W	R/W	R/W	R/W	R/W	R/W
ADDR	F70h							



Bit Position	Value (H)	Description
[7] START	0	<u>ADC Start/Busy</u> Writing to 0 has no effect. Reading a 0 indicates that the ADC is available to begin a conversion.
	1	Writing to 1 starts a conversion. Reading a 1 indicates that a conversion is currently in progress.
[6]	0	Reserved—Must be 0.
[5] REFEN	0	<u>Reference Enable</u> Internal reference voltage is disabled allowing an external reference voltage to be used by the ADC.
	1	Internal reference voltage for the ADC is enabled. The internal reference voltage can be measured on the VREF pin.
[4] ADCEN	0	<u>ADC Enable</u> ADC is disabled for low power operation.
	1	ADC is enabled for normal use.
[3] Reserved	0	Reserved—Must be 0.
[2:0] ANAIN	000	<u>Analog Input Select</u> ANA0 input is selected for analog to digital conversion.
	001	ANA1 input is selected for analog to digital conversion.
	010	ANA2 input is selected for analog to digital conversion.
	011	ANA3 input is selected for analog to digital conversion.
	100	ANA4 input is selected for analog to digital conversion.
	101	ANA5 input is selected for analog to digital conversion.
	110	ANA6 input is selected for analog to digital conversion.
	111	ANA7 input is selected for analog to digital conversion.

## ADC Data High Byte Register

The ADC data high byte register, listed in [Table 61](#) on page 96, contains the upper eight bits of the ADC output. Access to the ADC data high byte register is read-only. Reading the ADC data high byte register latches data in the ADC low bits register.

**Table 61. ADC Data High Byte Register (ADCD\_H)**

BITS	7	6	5	4	3	2	1	0
FIELD	ADCDH							
RESET	X							
R/W	R							
ADDR	F72H							

Bit Position	Value (H)	Description
[7:0]	00h–FFh	ADC high byte The last conversion output is held in the data registers until the next ADC conversion is completed.

### ADC Data Low Bits Register

The ADC data low bits register, listed in [Table 62](#), contain the lower bits of the ADC output. Access to the ADC data low bits register is read-only. Reading the ADC data high byte register latches lower bits of the ADC in the ADC low bits register.

**Table 62. ADC Data Low Bits Register (ADCD\_L)**

BITS	7	6	5	4	3	2	1	0
FIELD	ADCDL		Reserved					
RESET	X		X					
R/W	R		R					
ADDR	F73H							

Bit Position	Value (H)	Description
[7:6]	00–11b	ADC low bits These bits are the two least significant bits of the 10-bit ADC output. These bits are undefined after a reset. The low bits are latched into this register whenever the ADC data high byte register is read.
[5:0] Reserved	0	Reserved—Must be 0.

## Sample Settling Time Register

The sample settling time register, listed in [Table 63](#), is used to program the delay after the SAMPLE/HOLD signal is asserted before the START signal is asserted, which begins the conversion. The number of clock cycles required for settling will vary from system to system depending on the system clock period used. The system designer should program this register to contain the number of clocks required to meet a 0.5 μs minimum settling time.

**Table 63. Sample Settling Time (ADCSST)**

BITS	7	6	5	4	3	2	1	0
FIELD	Reserved				SST			
RESET	0				1	1	1	1
R/W	R				R/W			
ADDR	F74H							

Bit Position	Value (H)	Description
[7:4]	0h	Reserved—Must be 0.
[3:0] SST	0h - Fh	Sample settling time in number of system clock periods to meet 0.5 μs minimum.

## Sample Time Register

The sample time register, listed in [Table 64](#), is used to program the length of active time for the sample after a conversion has begun by setting the START bit in the ADC control register. The number of system clock cycles required for the sample time varies from system to system, depending on the clock period used. The system designer should program this register to contain the number of system clocks required to meet a 1 μs minimum sample time.

**Table 64. Sample Time (ADCST)**

BITS	7	6	5	4	3	2	1	0
FIELD	Reserved		ST					
RESET	0		1	1	1	1	1	1
R/W	R/W		R/W					
ADDR	F75H							

Bit Position	Value (H)	Description
[7:6]	0h	Reserved—Must be 0.
[5:0] ST	0h - Fh	Sample-hold time in number of system clock periods to meet 1 $\mu$ s minimum.

# Comparator

The Z8 Encore!® F0830 Series devices feature a general purpose comparator that compares two analog input signals. A GPIO ( $C_{INP}$ ) pin provides the positive comparator input. The negative input ( $C_{INN}$ ) can be taken from either an external GPIO pin or from an internal reference. The output is available as an interrupt source or can be routed to an external pin using the GPIO multiplex. The comparator includes the following features:

- Positive input is connected to a GPIO pin.
- Negative input can be connected to either a GPIO pin or a programmable internal reference.
- Output can be either an interrupt source or an output to an external pin.

## Operation

One of the comparator inputs can be connected to an internal reference, which is a user selectable reference and is user programmable with 200 mV resolution.

The comparator may be powered down to save supply current. For details see [Power Control Register 0](#) on page 34.



**Caution:** *As a result of the propagation delay of the comparator, it is not recommended to enable the comparator without first disabling interrupts and waiting for the comparator output to settle. This delay prevents spurious interrupts after comparator enabling. The following example shows how to safely enable the comparator:*

```
di
ld cmp0,r0; load some new configuration
nop
nop      ; wait for output to settle
clr irq0 ; clear any spurious interrupts pending
ei
```

## Comparator Control Register Definitions

### Comparator Control Register

The comparator control register (CMP0) configures the comparator inputs and sets the value of the internal voltage reference.

**Table 65. Comparator Control Register (CMP0)**

<b>BITS</b>	<b>7</b>	<b>6</b>	<b>5</b>	<b>4</b>	<b>3</b>	<b>2</b>	<b>1</b>	<b>0</b>
<b>FIELD</b>	Reserved	INNSEL	REFLVL				Reserved	
<b>RESET</b>	0	0	0	1	0	1	0	0
<b>R/W</b>	R/W	R/W	R/W	R/W	R/W	R/W	R/W	R/W
<b>ADDR</b>	F90H							

Reserved

GPIO pin always used as positive comparator input

INNSEL—Signal select for negative input

0 = internal reference disabled, GPIO pin used as negative comparator input

1 = internal reference enabled as negative comparator input

REFLVL—Internal reference voltage level (note that this reference is independent of the ADC voltage reference)

- 0000 = 0.0 V
- 0001 = 0.2 V
- 0010 = 0.4 V
- 0011 = 0.6 V
- 0100 = 0.8 V
- 0101 = 1.0 V (Default)
- 0110 = 1.2 V
- 0111 = 1.4 V
- 1000 = 1.6 V
- 1001 = 1.8 V
- 1010–1111 = Reserved

# Flash Memory

The products in the Z8 Encore!® F0830 Series features either 1 KB (1024 bytes with NVDS), 2 KB (2048 bytes with NVDS), 4 KB (4096 bytes with NVDS), 8 KB (8192 bytes with NVDS) or 12 KB (12288 bytes with no NVDS) of non volatile Flash memory with read/write/erase capability. The Flash memory can be programmed and erased in-circuit by either user code or through the On-Chip Debugger.

The Flash memory array is arranged in pages with 512 bytes per page. The 512-byte page is the minimum Flash block size that can be erased. Each page is divided into eight rows of 64 bytes.

For program/data protection, the Flash memory is also divided into sectors. In the Z8 Encore! F0830 Series, each sector maps to one page (for 1 KB, 2 KB and 4 KB devices), two pages (8 KB device) or three pages (12 KB device).

The first two bytes of the Flash program memory is used as Flash option bits. For more information, see [Flash Option Bits](#) on page 117.

[Table 66](#) describes the Flash memory configuration for each device in the Z8 Encore! F0830 Series. [Figure 14](#) through [Figure 18](#) display the Flash memory arrangement.

**Table 66. Z8 Encore! F0830 Series Flash Memory Configurations**

Part Number	Flash Size KB (Bytes)	Flash Pages	Program Memory Addresses	Flash Sector Size (bytes)
Z8F123x	12 (12,288)	24	0000H–2FFFH	1536
Z8F083x	8 (8196)	16	0000H–1FFFH	1024
Z8F043x	4 (4096)	8	0000H–0FFFH	512
Z8F023x	2 (2048)	4	0000H–07FFH	512
Z8F013x	1 (1024)	2	0000H–03FFH	512

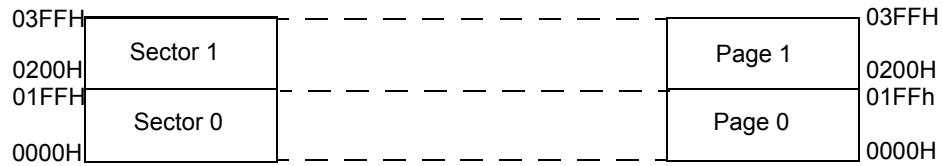


Figure 14. 1K Flash with NVDS

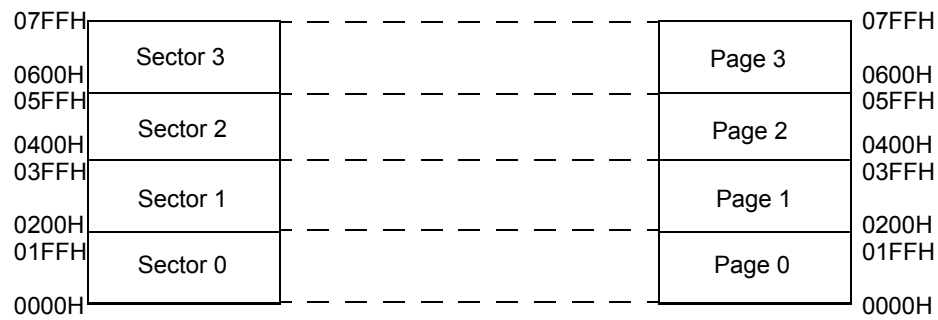


Figure 15. 2K Flash with NVDS



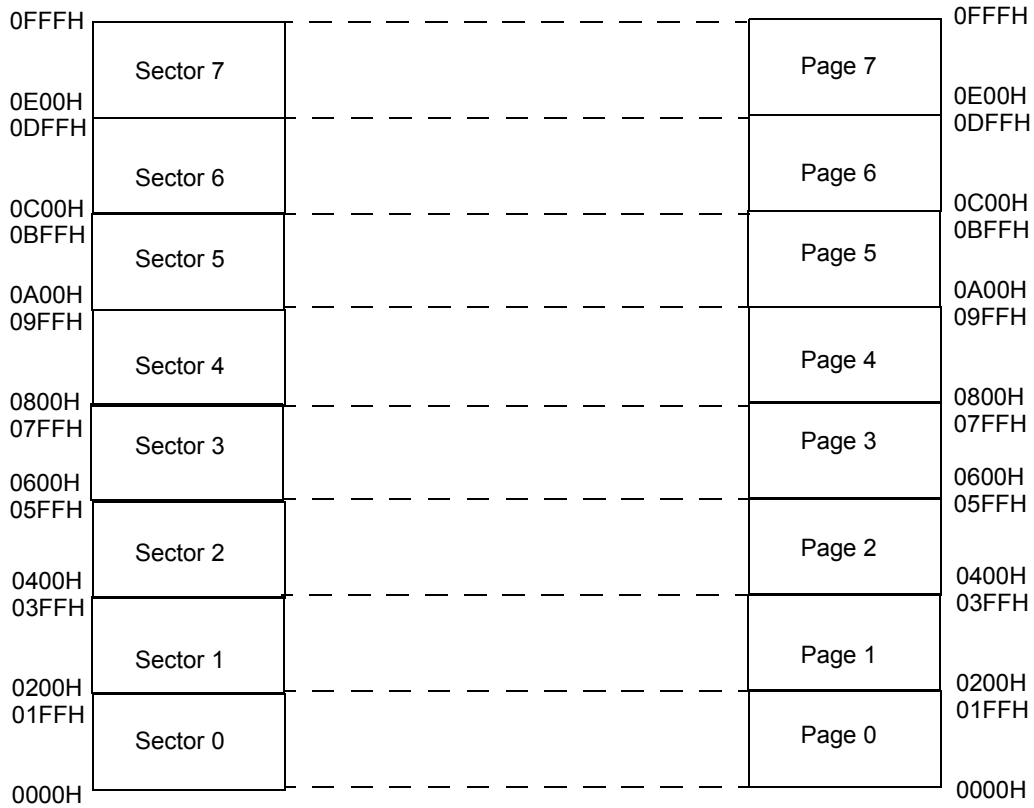


Figure 16. 4K Flash with NVDS

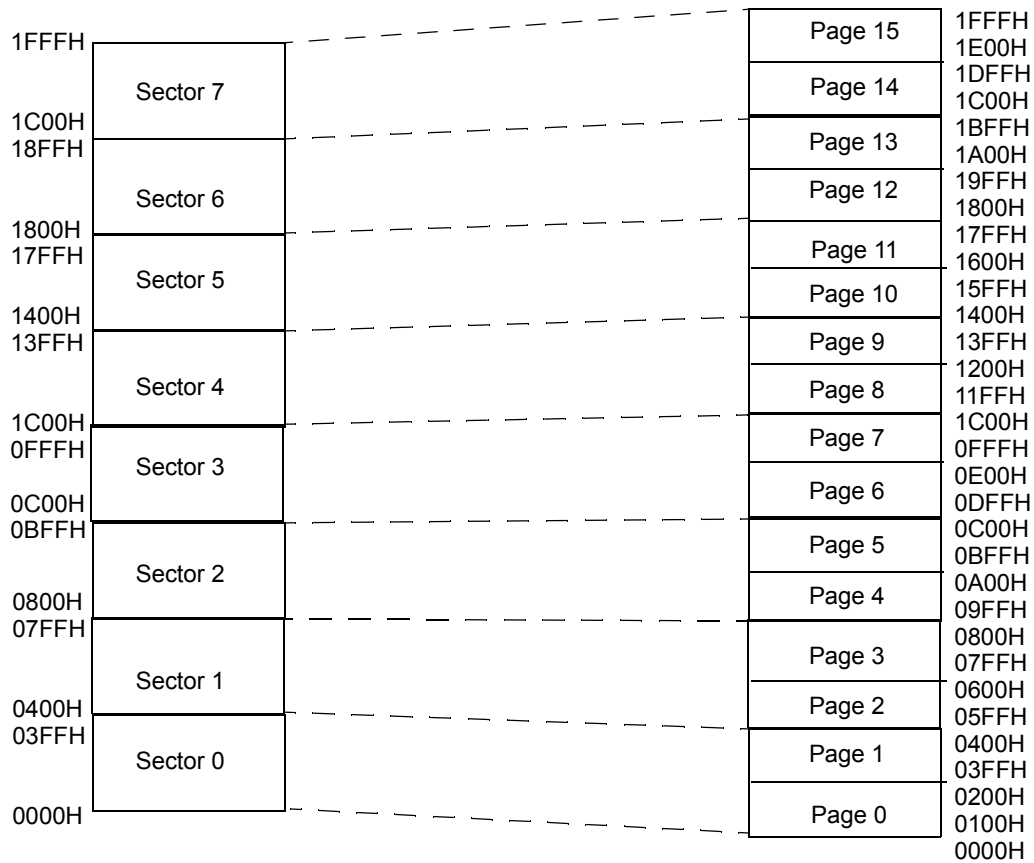


Figure 17. 8K Flash with NVDS

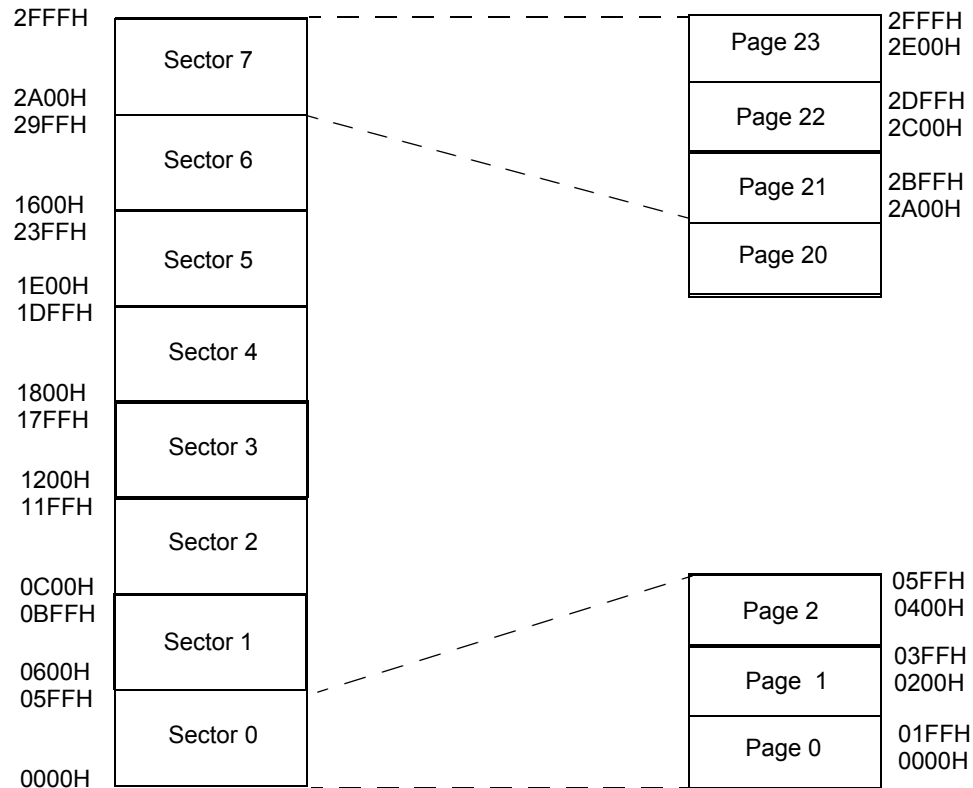


Figure 18. 12K Flash with NVDS

## Data Memory Address Space

The Flash information area, including the Zilog Flash option bits, are located in the data memory address space. The Z8 Encore!® is configured by the Zilog Flash option bits to prevent the user from writing to the eZ8 CPU data memory address space.

## Flash Information Area

The Flash information area is physically separate from program memory and is mapped to the address range FE00H to FE7FH. Not all these addresses are user accessible. Factory trim values for the VBO, Internal Precision Oscillator and factory calibration data for the ADC are stored here.

[Table 67](#) describes the Flash information area. This 128-byte information area is accessed by setting the bit 7 of the Flash page select register to 1. When access is enabled, the Flash information area is mapped into the program memory and overlays the 128-bytes at the addresses FE00H to FE7FH. When the information area access is enabled, all reads from these program memory addresses return the information area data rather than the program memory data. Access to the Flash information area is read-only.

The trim bits are handled differently than the other Zilog Flash option bits. The trim bits are the hybrid of the user option bits and the standard Zilog option bits. These trim bits must be user accessible for reading at all times using external registers, regardless of the state of bit 7 in the Flash page select register. Writes to the trim space change the value of the option bit holding register, but does not affect the Flash bits, which remain as read-only.

**Table 67. Z8F083 Flash Memory Area Map**

Program Memory Address (Hex)	Function
FE00–FE3F	Zilog option bits
FE40–FE53	Part number 20-character ASCII alphanumeric code Left justified and filled with FH
FE54–FE5F	Reserved
FE60–FE7F	Reserved

## Operation

The Flash controller programs and erases Flash memory. The Flash controller provides the proper Flash controls and timing for byte programming, page erase, and mass erase of Flash memory.

The Flash controller contains several protection mechanisms to prevent accidental programming or erasure. These mechanism operate on the page, sector and full-memory levels.

The flowchart in [Figure 19](#) on page 107 display basic Flash controller operation. The following subsections provide details about the various operations (Lock, Unlock, Byte Programming, Page Protect, Page Unprotect, Page Select Page Erase, and Mass Erase) displayed in [Figure 19](#).

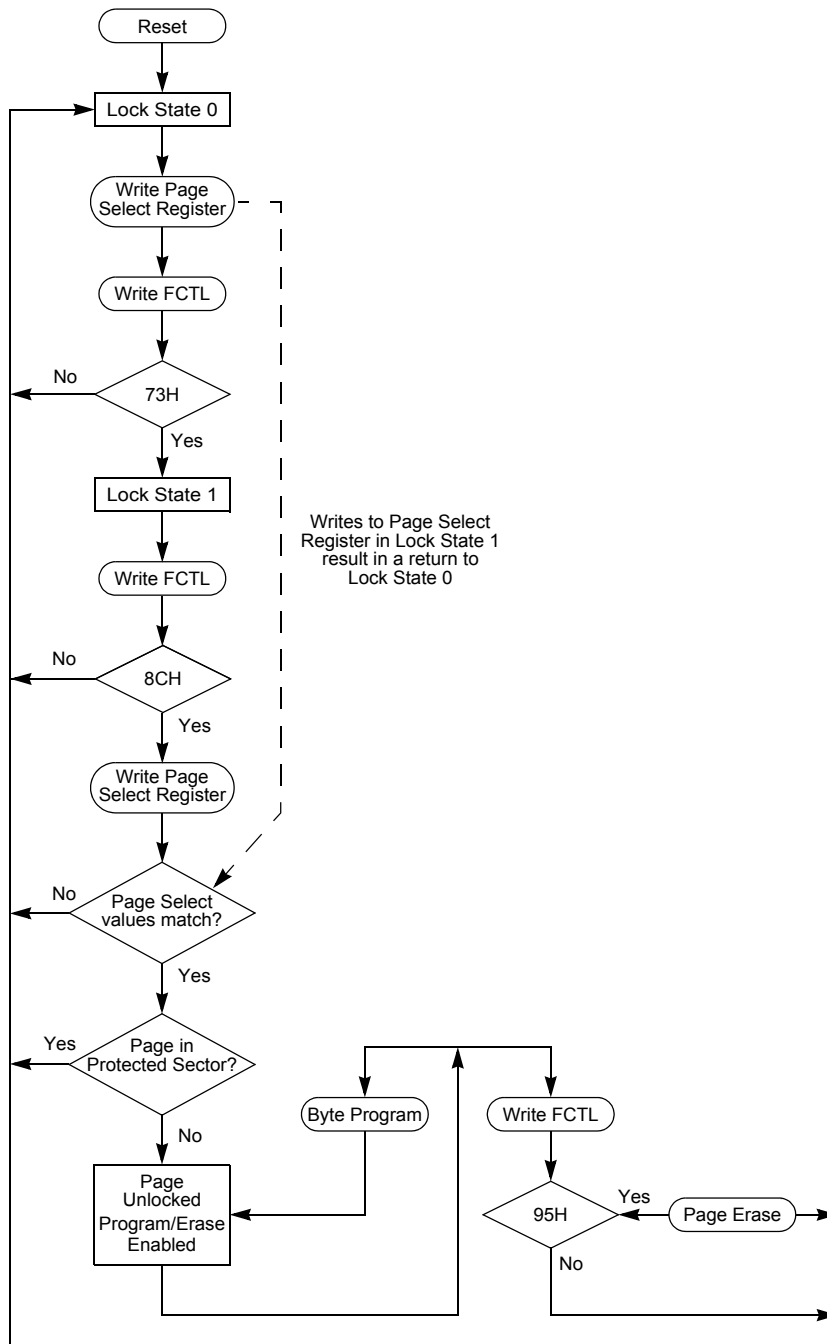


Figure 19. Flash Controller Operation Flow Chart

## Flash Operation Timing Using the Flash Frequency Registers

Before performing either a Program or Erase operation on Flash memory, the user must first configure the Flash frequency high and low byte registers. The Flash frequency registers allow programming and erasing of the Flash with system clock frequencies ranging from 10 kHz to 20 MHz.

The Flash frequency high and low byte registers combine to form a 16-bit value,  $FFREQ$ , to control the timing for Flash Program and Erase operations. The 16-bit binary Flash frequency value must contain the system clock frequency (in kHz). This value is calculated using the following equation:

$$FFREQ[15:0] = \frac{\text{System Clock Frequency (Hz)}}{1000}$$



**Caution:** *Flash programming and erasure are not supported for system clock frequencies below 10 kHz or above 20 MHz. The Flash frequency high and low byte registers must be loaded with the correct value to ensure operation of the Z8 Encore!® F0830 Series devices.*

## Flash Code Protection Against External Access

The user code contained within the Flash memory can be protected against external access by using the On-Chip Debugger. Programming the  $FRP$  Flash option bit prevents reading of the user code using the On-Chip Debugger. For more information, see [Flash Option Bits](#) on page 117 and [On-Chip Debugger](#) on page 131.

## Flash Code Protection Against Accidental Program and Erasure

### Flash Code Protection Against Erasure

The Z8 Encore! F0830 Series provides several levels of protection against accidental program and erasure of the Flash memory contents. This protection is provided by a combination of the Flash option bits, the register locking mechanism, the page select redundancy and the sector level protection control of the Flash controller.

### Flash Code Protection using the Flash Option Bits

The  $FHSWP$  and  $FWP$  Flash option bits combine to provide three levels of Flash program memory protection as listed in [Table 68](#). See [Flash Option Bits](#) on page 117 for more information.

**Table 68. Flash Code Protection using the Flash Option Bits**

FHSWP	FWP	Flash Code Protection Description
0	0	Programming and erasing disabled for all Flash program memory. In user code programming, page erase, and mass erase are all disabled. Mass erase is available through the On-Chip Debugger.
0 or 1	1	Programming, page erase, and mass erase are enabled for all the Flash program memory.

At reset, the Flash controller is locked to prevent accidental program or erasure of the Flash memory. To program or erase the Flash memory, first write the target page to the page select register. Unlock the Flash controller by making two consecutive writes to the Flash control register with the values 73H and 8CH, sequentially. The page select register must be rewritten with the same page previously stored there. If the two page select writes do not match, the controller reverts to a Locked state. If the two writes match, the selected page becomes active. See [Figure 19](#) for details.

After unlocking a specific page, you can enable either page program or erase. Writing the value 95H causes a page erase only if the active page resides in a sector that is not protected. Any other value written to the Flash control register locks the Flash controller. Mass erase is not allowed in the user code, but is allowed through the debug port.

After unlocking a specific page, the user can also write to any byte on that page. After a byte is written, the page remains unlocked, allowing for subsequent writes to other bytes on the same page. Further writes to the Flash control register causes the active page to revert to a Locked state.

### Sector Based Flash Protection

The final protection mechanism is implemented on a per-sector basis. The Flash memories of Z8 Encore!® devices are divided into maximum number of eight sectors. A sector is one-eighth of the total size of the Flash memory, unless this value is smaller than the page size, in which case the sector and page sizes are equal. On the Z8 Encore! F0830 Series devices, the sector size is varied according to the [Table 67](#).

The sector protect register controls the protection state of each Flash sector. This register is shared with the page select register. It is accessed by locking the Flash controller and writing the command byte 5EH. The next write to the page select register targets the sector protect register.

The sector protect register is initialized to 0 on reset, putting each sector into an unprotected state. When a bit in the sector protect register is written to 1, the corresponding sector can no longer be written or erased. After setting a bit in the sector protect register, the bit cannot be cleared by the user.

## Byte Programming

The Flash memory is enabled for byte programming after unlocking the Flash controller and successfully enabling either mass erase or page erase. When the Flash controller is unlocked and mass erase is successfully enabled, all the program memory locations are available for byte programming. In contrast, when the Flash controller is unlocked and page erase is successfully enabled, only the locations of the selected page are available for byte programming. An erased Flash byte contains all 1's (FFH). The programming operation can only be used to change bits from 1 to 0. To change a Flash bit (or multiple bits) from 0 to 1 requires execution of either the page erase or mass erase commands.

Byte programming can be accomplished using the On-Chip Debugger's write memory command or eZ8 CPU execution of the LDC or LDCI instructions. Refer to the *eZ8 CPU User Manual* (available for download at [www.zilog.com](http://www.zilog.com)) for the description of the LDC and LDCI instructions. While the Flash controller programs the Flash memory, the eZ8 CPU idles, but the system clock and on-chip peripherals continue to operate. To exit programming mode and lock the Flash, write any value to the Flash control register, except the mass erase or page erase commands.



**Caution:** *The byte at each address of the Flash memory cannot be programmed (any bits written to 0) more than twice before an erase cycle occurs.*

## Page Erase

The Flash memory can be erased one page (512 bytes) at a time. Page erasing the Flash memory sets all bytes in that page to the value FFH. The Flash page select register identifies the page to be erased. Only a page residing in an unprotected sector can be erased. With the Flash controller unlocked and the active page set, writing the value 95h to the Flash control register initiates the Page Erase operation. While the Flash controller executes the Page Erase operation, the eZ8 CPU idles, but the system clock and on-chip peripherals continue to operate. The eZ8 CPU resumes operation after the page erase operation completes. If the Page Erase operation is performed using the On-Chip Debugger, poll the Flash status register to determine when the Page Erase operation is complete. When the page erase is complete, the Flash controller returns to its Locked state.

## Mass Erase

The Flash memory can also be mass erased using the Flash controller, but only by using the On-Chip Debugger. Mass erasing the Flash memory sets all bytes to the value FFH. With the Flash controller unlocked and the mass erase successfully enabled, writing the value 63H to the Flash control register initiates the Mass Erase operation. While the Flash controller executes the Mass Erase operation, the eZ8 CPU idles, but the system clock and on-chip peripherals continue to operate. Using the On-Chip Debugger, poll the Flash



status register to determine when the Mass Erase operation is complete. When the mass erase is complete, the Flash controller returns to its Locked state.

## Flash Controller Bypass

The Flash controller can be bypassed and the control signals for the Flash memory are brought out to the GPIO pins. Bypassing the Flash controller allows faster row programming algorithms by controlling the Flash programming signals directly.

Row programming is recommended for gang programming applications and large volume customers who do not require in-circuit initial programming of the Flash memory. Mass Erase and Page Erase operations are also supported, when the Flash controller is bypassed.

For more information about bypassing the Flash controller, refer to *Third-Party Flash Programming Support for Z8 Encore!®*. This document is available for download at [www.zilog.com](http://www.zilog.com).

## Flash Controller Behavior in Debug Mode

The following behavioral changes can be observed in the Flash controller when the Flash controller is accessed using the On-Chip Debugger:

- The Flash write protect option bit is ignored.
- The Flash sector protect register is ignored for programming and Erase operations.
- Programming operations are not limited to the page selected in the page select register.
- Bits in the Flash sector protect register can be written to one or zero.
- The second write of the page select register to unlock the flash controller is not necessary.
- The page select register can be written when the Flash controller is unlocked.
- The mass erase command is enabled through the Flash control register



**Caution:** *For security reasons, Flash controller allows only a single page to be opened for write/erase. When writing multiple Flash pages, the Flash controller must go through the unlock sequence again to select another page.*

## NVDS Operational Requirements

The device uses a 12 KB Flash memory, despite the maximum specified Flash of 8 KB size (except 12 KB mode with non-NVDS). User code accesses the lower 8 KB of flash, leaving the upper 4 K for Zilog memory. The NVDS is implemented by using Zilog memory for special purpose routines and for the data required by the routines. These

routines are factory programmed and cannot be altered by the user. The NVDS operation is described in detail. See [Non-Volatile Data Storage](#) on page 127.

The NVDS routines are triggered by a user code: CALL into Zilog memory. Code executing from Zilog memory must be able to read and write other locations within Zilog memory. User code must not be able to read or write Zilog memory.

## Flash Control Register Definitions

### Flash Control Register

The Flash controller must be unlocked using the Flash control register before programming or erasing the Flash memory. Writing the sequence 73H 8CH, sequentially, to the Flash control register unlocks the Flash controller. When the Flash controller is unlocked, the Flash memory can be enabled for mass erase or page erase by writing the appropriate enable command to the FCTL. Page erase applies only to the active page selected in Flash page select register. Mass erase is enabled only through the On-Chip Debugger. Writing an invalid value or an invalid sequence returns the Flash controller to its Locked state. The write-only Flash control register shares its register file address with the read-only flash status register.

**Table 69. Flash Control Register (FCTL)**

BITS	7	6	5	4	3	2	1	0
FIELD	FCMD							
RESET	0	0	0	0	0	0	0	0
R/W	W	W	W	W	W	W	W	W
ADDR	FF8H							

FCMD—Flash command  
73H = First unlock command  
8CH = Second unlock command

95H = Page erase command (must be third command in sequence to initiate page erase)  
63H = Mass erase command (must be third command in sequence to initiate mass erase)

5EH = Enable Flash sector protect register access

### Flash Status Register

The Flash status register indicates the current state of the Flash controller. This register can be read at any time. The read-only Flash status register shares its register file address with the write-only Flash control register.

**Table 70. Flash Status Register (FSTAT)**

BITS	7	6	5	4	3	2	1	0
FIELD	Reserved		FSTAT					
RESET	0	0	0	0	0	0	0	0
R/W	R	R	R	R	R	R	R	R
ADDR	FF8H							

Reserved—Must be 0.

FSTAT—Flash controller status

000000 = Flash controller locked

000001 = First unlock command received (73H written)

000010 = Second unlock command received (8CH written)

000011 = Flash controller unlocked

000100 = Sector protect register selected

001xxx = Program operation in progress

010xxx = Page Erase operation in progress

100xxx = Mass Erase operation in progress

## Flash Page Select Register

The Flash page select register shares address space with the Flash sector protect register. Unless the Flash controller is locked and written with 5EH, any writes to this address will target the Flash page select register.

The register selects one of the eight available Flash memory pages to be programmed or erased. Each Flash page contains 512-bytes of Flash memory. During a page erase operation, all Flash memory having addresses with the most significant 7-bits given by FPS[6:0] are chosen for Program/Erase operation.

**Table 71. Flash Page Select Register (FPS)**

BITS	7	6	5	4	3	2	1	0
FIELD	INFO_EN	PAGE						
RESET	0	0	0	0	0	0	0	0
R/W	R/W	R/W	R/W	R/W	R/W	R/W	R/W	R/W
ADDR	FF9H							

INFO\_EN—Information area enable

0 = Information area is not selected

1 = Information area is selected. The information area is mapped into the program memory address space at addresses FE00H through FFFFH.

PAGE—Page select

This 7-bit field identifies the Flash memory page for page erase and page unlocking. Program memory address[15:9] = PAGE[6:0]. For the Z8F04xx and Z8F02xx devices, the upper four bits must always be 0. For the Z8F01xx devices, the upper five bits must always be 0.

## Flash Sector Protect Register

The Flash sector protect register is shared with the Flash page select register. When the Flash control register is locked and written with 5EH, the next write to this address targets the Flash sector protect register. In all other cases, it targets the Flash page select register.

This register selects one of the eight available Flash memory sectors to be protected. The Reset state of each sector protect bit is zero (unprotected) state. After a sector is protected by setting its corresponding register bit, the register bit cannot be cleared by the user.

**Table 72. Flash Sector Protect Register (FPROT)**

BITS	7	6	5	4	3	2	1	0
FIELD	SPROT7	SPROT6	SPROT5	SPROT4	SPROT3	SPROT2	SPROT1	SPROT0
RESET	0	0	0	0	0	0	0	0
R/W	R/W	R/W	R/W	R/W	R/W	R/W	R/W	R/W
ADDR	FF9H							

SPROT7-SPROT0—Sector protection

Each bit corresponds to a 512-byte Flash sector. For the Z8F04xx devices, all bits are used. For the Z8F02xx devices, the upper four bits are unused. For the Z8F01xx devices, the upper six bits are unused.

## Flash Frequency High and Low Byte Registers

The Flash frequency high and low byte registers combine to form a 16-bit value, FFREQ, to control timing for Flash Program and Erase operations. The 16-bit binary Flash frequency value must contain the system clock frequency (in KHz) and is calculated using the following equation.

$$\text{FFREQ}[15:0] = \{ \text{FFREQH}[7:0], \text{FFREQL}[7:0] \} = \frac{\text{System Clock Frequency}}{1000}$$



**Caution:** *Flash programming and erasure is not supported for system clock frequencies below 10 kHz or above 20 MHz. The Flash frequency high and low byte registers must be loaded with the correct value to ensure proper operation of the device.*

**Table 73. Flash Frequency High Byte Register (FFREQH)**

BITS	7	6	5	4	3	2	1	0
FIELD	FFREQH							
RESET	0	0	0	0	0	0	0	0
R/W	R/W	R/W	R/W	R/W	R/W	R/W	R/W	R/W
ADDR	FFAH							

FFREQH—Flash frequency high byte  
High byte of the 16-bit Flash frequency value.

**Table 74. Flash Frequency Low Byte Register (FFREQL)**

BITS	7	6	5	4	3	2	1	0
FIELD	FFREQL							
RESET	0							
R/W	R/W							
ADDR	FFBH							

FFREQL—Flash frequency low byte  
Low byte of the 16-bit Flash frequency value.



# Flash Option Bits

Programmable Flash option bits allow user configuration of certain aspects of Z8 Encore!® F0830 Series operation. The feature configuration data is stored in the Flash program memory and read during reset. The features available for control through the Flash option bits are:

- Watchdog Timer time-out response selection—interrupt or system reset.
- Watchdog Timer enabled at reset.
- The ability to prevent unwanted read access to user code in program memory.
- The ability to prevent accidental programming and erasure of all or a portion of the user code in program memory.
- Voltage Brownout configuration always enabled or disabled during STOP mode to reduce STOP mode power consumption.
- OSCILLATOR mode selection for high, medium, and low power crystal oscillators, or external RC oscillator.
- Factory trimming information for the Internal Precision Oscillator and VBO voltage.

## Operation

### Option Bit Configuration by Reset

Each time the Flash option bits are programmed or erased, the device must be reset for the change to be effective. During any Reset operation (system reset, or Stop Mode Recovery), the Flash option bits are automatically read from the Flash program memory and written to option configuration registers. The option configuration registers, control the operation of the devices within the Z8 Encore! F0830 Series. Option bit control is established before the device exits reset and the eZ8 CPU begins code execution. The option configuration registers are not part of the register file and are not accessible for read or write access.

## Option Bit Types

### User Option Bits

The user option bits are contained in the first two bytes of program memory. User access to these bits is provided because these locations contain application specific device configurations. The information contained here is lost when page 0 of the program memory is erased.

### Trim Option Bits

The trim option bits are contained in the information page of the Flash memory. These bits are factory programmed values required to optimize the operation of onboard analog circuitry and cannot be permanently altered by the user. Program memory may be erased without endangering these values. It is possible to alter working values of these bits by accessing the trim bit address and data registers, but these working values are lost after a power loss.

There are 32 bytes of trim data. To modify one of these values, the user code must first write a value between 00H and 1FH into the trim bit address register. The next write to the trim bit data register changes the working value of the target trim data byte.

Reading the trim data requires the user code to write a value between 00H and 1FH into the trim bit address register. The next read from the trim bit data register returns the working value of the target trim data byte.

► **Note:** *The trim address range is from information address 20-3F only. The remaining information page is not accessible through the trim bit address and data registers.*

During reset, the first 43 system clock cycles perform 43 Flash accesses. The six bits of the counter provide the lower six bits of the Flash memory address. All other address bits are set to 0. The option bit registers use the 6-bit address from the counter as an address and latch the data from the Flash on the positive edge of the IPO clock, allowing for a maximum of 344-bits (43 bytes) of option information to be read from the Flash.

Because option information is stored in both the first two bytes of program memory and in the information area of the Flash, the data must be placed in specific locations to be read correctly. In this case, the first two bytes at address 0 and 1 in the program memory are read out, and the rest of the bytes are read-out of the information part of the Flash.

## Flash Option Bit Control Register Definitions

### Trim Bit Address Register

This register contains the target address to access the trim option bits. Trim bit address (00h-1Fh) maps to the information area address (20h-3Fh) as listed in [Table 77](#).



**Table 75. Trim Bit Address Register (TRMADR)**

BITS	7	6	5	4	3	2	1	0
FIELD	TRMADR - Trim Bit Address (00H to 1FH)							
RESET	0	0	0	0	0	0	0	0
R/W	R/W	R/W	R/W	R/W	R/W	R/W	R/W	R/W
ADDR	FF6H							

### Trim Bit Data Register

This register contains the read or write data to access the trim option bits.

**Table 76. Trim Bit Data Register (TRMDR)**

BITS	7	6	5	4	3	2	1	0
FIELD	TRMDR - Trim Bit Data							
RESET	0	0	0	0	0	0	0	0
R/W	R/W	R/W	R/W	R/W	R/W	R/W	R/W	R/W
ADDR	FF7H							

**Table 77. Trim Bit Address Map**

Trim Bit Address	Information Area Address
00h	20h
01h	21h
02h	22h
03h	23h
:	:
1Fh	3Fh

### Flash Option Bit Address Space

The first two bytes of Flash program memory at addresses 0000H and 0001H are reserved for the user programmable Flash option bits.

## Flash Program Memory Address 0000H

Table 78. Flash Option Bits at Program Memory Address 0000H

BITS	7	6	5	4	3	2	1	0
FIELD	WDT_RES	WDT_AO	OSC_SEL[1:0]		VBO_AO	FRP	Reserved	FWP
RESET	U	U	U	U	U	U	U	U
R/W	R/W	R/W	R/W	R/W	R/W	R/W	R/W	R/W
ADDR	Program Memory 0000H							
Note: U = Unchanged by Reset. R/W = Read/Write.								

WDT\_RES—Watchdog Timer reset

0 = Watchdog Timer time-out generates an interrupt request. Interrupts must be globally enabled for the eZ8 CPU to acknowledge the interrupt request.

1 = Watchdog Timer time-out causes a system reset. This is the default setting for unprogrammed (erased) Flash.

WDT\_AO—Watchdog Timer always On

0 = On application of system power, Watchdog Timer is automatically enabled. Watchdog Timer cannot be disabled.

1 = Watchdog Timer is enabled on execution of the WDT instruction. Once enabled, the Watchdog Timer can only be disabled by a reset. This is the default setting for unprogrammed (erased) Flash.

OSC\_SEL[1:0]—OSCILLATOR mode selection

00 = On-chip oscillator configured for use with external RC networks (<4 MHz).

01 = Minimum power for use with very low frequency crystals (32 kHz to 1.0 MHz).

10 = Medium power for use with medium frequency crystals or ceramic resonators (0.5 MHz to 5.0 MHz).

11 = Maximum power for use with high frequency crystals (5.0 MHz to 20.0 MHz). This is the default setting for unprogrammed (erased) Flash.

VBO\_AO—Voltage Brownout protection always On

0 = Voltage Brownout protection is disabled in STOP mode to reduce total power consumption.

1 = Voltage Brownout protection is always enabled, even during STOP mode. This is the default setting for unprogrammed (erased) Flash.

FRP—Flash read protect

0 = User program code is inaccessible. Limited control features are available through the On-Chip Debugger.

1 = User program code is accessible. All On-Chip Debugger commands are enabled. This is the default setting for unprogrammed (erased) Flash.

Reserved—Must be 1

FWP—Flash write protect

This option bit provides Flash program memory protection.

0 = Programming and erasure disabled for all Flash program memory. Programming, page erase, and mass erase through user code is disabled. Mass erase is available using the On-Chip Debugger.

1 = Programming, page erase, and mass erase are enabled for all Flash program memory.

## Flash Program Memory Address 0001H

Table 79. Flash Options Bits at Program Memory Address 0001H

BITS	7	6	5	4	3	2	1	0
FIELD	VBO_RES	Reserved		XTLDIS	Reserved			
RESET	U	U	U	U	U	U	U	U
R/W	R/W	R/W	R/W	R/W	R/W	R/W	R/W	R/W
ADDR	Program Memory 0001H							
Note: U = Unchanged by Reset. R/W = Read/Write.								

VBO\_RES—Voltage Brownout reset

1 = VBO detection causes a system reset. This is the default setting for unprogrammed (erased) Flash.

Reserved—Must be 1

XTLDIS—State of crystal oscillator at reset

► **Note:** *This bit enables only the crystal oscillator. The selection of crystal oscillator as the system clock must be done manually.*

*0 = Crystal oscillator is enabled during reset, resulting in longer reset timing.*

*1 = Crystal oscillator is disabled during reset, resulting in shorter reset timing.*

## Trim Bit Address Space

**Table 80. Trim Bit Address Space**

Address	Function
00h	ADC reference voltage
01h	ADC and comparator
02h	Internal Precision Oscillator
03h	Oscillator and VBO
06h	ClkFiltr

### Trim Bit Address 0000H

**Table 81. Trim Option Bits at 0000H (ADCREF)**

BITS	7	6	5	4	3	2	1	0
FIELD	ADCREF_TRIM					Reserved		
RESET	U					U		
R/W	R/W					R/W		
ADDR	Information Page Memory 0020H							

**Note:** U = Unchanged by Reset. R/W = Read/Write.

ADCREF\_TRIM—ADC reference voltage trim byte  
Contains trimming bits for ADC reference voltage

► **Note:** *The bit values used in Table 81 are set at factory and no calibration required.*

### Trim Bit Address 0001H

**Table 82. Trim Option Bits at 0001H (TADC\_COMP)**

BITS	7	6	5	4	3	2	1	0
FIELD	Reserved							
RESET	U	U	U	U	U	U	U	U
R/W	R/W	R/W	R/W	R/W	R/W	R/W	R/W	R/W
ADDR	Information Page Memory 0021H							

**Note:** U = Unchanged by Reset. R/W = Read/Write.

Reserved—Altering this register may result in incorrect device operation.

► **Note:** *The bit values used in Table 82 are set at factory and no calibration is required.*

### Trim Bit Address 0002H

**Table 83. Trim Option Bits at 0002H (TIPO)**

BITS	7	6	5	4	3	2	1	0
FIELD	IPO_TRIM							
RESET	U							
R/W	R/W							
ADDR	Information Page Memory 0022H							
<b>Note:</b> U = Unchanged by Reset. R/W = Read/Write.								

IPO\_TRIM—Internal Precision Oscillator trim byte  
Contains trimming bits for Internal Precision Oscillator

► **Note:** *The bit values used in Table 83 are set at factory and no calibration is required.*

### Trim Bit Address 0003H

**Table 84. Trim Option Bits at 0003H (TVBO)**

BITS	7	6	5	4	3	2	1	0
FIELD	Reserved				Reserved	VBO_TRIM		
RESET	U				U	1	0	0
R/W	R/W				R/W	R/W		
ADDR	Information Page Memory 0023H							
<b>Note:</b> U = Unchanged by Reset. R/W = Read/Write.								

VBO\_TRIM—VBO trim values  
Contains factory trimmed values for oscillator and VBO

Reserved—Must be 1

VBO Trim Definition

VBO_TRIM	Trigger Voltage Level
000	1.7
001	1.6
101	2.2
110	2.0
100	2.4
111	1.8

The on-chip Flash only guarantee Write operation with voltage supply over 2.7 V, Write operation below 2.7 V will get unpredictable results.

- **Note:** *The bit values used in Table 84 are set at factory and no calibration is required. Trim Bit Address 0006H*

**Table 85. Trim Option Bits at 0006H (TCLKFLT)**

BITS	7	6	5	4	3	2	1	0
FIELD	DivBy4	Reserved	DlyCtl1	DlyCtl2	DlyCtl3	Reserved	FilterSel1	FilterSel0
RESET	0	1	0	0	0	1	0	0
R/W	R/W	R/W	R/W	R/W	R/W	R/W	R/W	R/W
ADDR	Information Page Memory 0026H							
<b>Note:</b> U = Unchanged by Reset. R/W = Read/Write.								

DivBy4—Output frequency selection

0 = Output frequency is input frequency

1 = Output frequency is 1/4 of the input frequency

Reserved—Must be 1

{DlyCtl3, DlyCtl2, DlyCtl1}—3 bit selection for the pulse width that can be filtered. See Table 86 for the relation at 3.3 V operation voltage.

Reserved—Must be 1

{FilterSel1, FilterSel0}—2 bit selection for the clock filter mode

00 = No filter

01 = Filter low level noise on high level signal

10 = Filter high level noise on low level signal

11 = Filter both

- **Note:** *The bit values used in Table 85 are set at factory and no calibration is required.*

**Table 86. ClkFlt Delay Control Definition**

DlyCtl3, DlyCtl2, DlyCtl1	Low noise pulse on high signal (ns)	High noise pulse on low signal (ns)
000	5	5
001	7	7
010	9	9
011	11	11
100	13	13
101	17	17
110	20	20
111	25	25

**Note:** The variation is about 30%





# Non-Volatile Data Storage

The Z8 Encore!® F0830 Series devices contain a Non-Volatile Data Storage (NVDS) element of up to 64 bytes (except in Flash 12 KB mode). This memory can perform over 100,000 write cycles.

## Operation

The NVDS is implemented by special purpose Zilog® software stored in areas of program memory not accessible. These special purpose routines use the Flash memory to store the data. The routines incorporate a dynamic addressing scheme to maximize the write/erase endurance of the Flash.

- ▶ **Note:** Different members of the Z8 Encore! F0830 Series feature multiple NVDS array sizes. See [Z8 Encore! F0830 Series Family Part Selection Guide](#) on page 2 for details.

## NVDS Code Interface

Two routines are required to access the NVDS, a write routine and a read routine. Both of these routines are accessed with a `CALL` instruction to a pre-defined address outside of the program memory accessible to you. Both the NVDS address and data are single-byte values. In order NOT to disturb the user code, these routines save the working register set before using it, so 16 bytes of stack space is needed to preserve the site. After finishing the call to these routines, the working register set of the user code is recovered.

During both read and write accesses to the NVDS, interrupt service is NOT disabled. Any interrupts that occur during the NVDS execution must not disturb the working register and existing stack contents; or else the array becomes corrupted. Disabling interrupts before executing NVDS operations is recommended.

Use of the NVDS requires 16 bytes of available stack space. The contents of the working register set are saved before calling NVDS read or write routines.

For correct NVDS operation, the Flash Frequency Registers must be programmed based on the system clock frequency. See [Flash Operation Timing Using the Flash Frequency Registers](#) on page 108.

## Byte Write

To write a byte to the NVDS array, the user code must first push the address, then the data byte onto the stack. The user code issues a `CALL` instruction to the address of the Byte Write routine (`0x20B3`). At the return from the sub-routine, the write status byte resides in working register `R0`. The bit fields of this status byte are defined in [Table 87](#). Also, user code should pop the address and data bytes off the stack.

The write routine uses 16 bytes of stack space in addition to the two bytes of address and data pushed by the user code. Sufficient memory must be available for this stack usage.

Because of the flash memory architecture, NVDS writes exhibit a non-uniform execution time. In general, a write takes 136  $\mu$ s (assuming a 20 MHz system clock). For every 200 writes, however, a maintenance operation is necessary. In this rare occurrence, the write takes up to 58 ms to complete. Slower system clock speeds result in proportionally higher execution times.

NVDS byte writes to invalid addresses (those exceeding the NVDS array size) have no effect. Illegal write operations have a 7  $\mu$ s execution time.

**Table 87. Write Status Byte**

<b>BITS</b>	<b>7</b>	<b>6</b>	<b>5</b>	<b>4</b>	<b>3</b>	<b>2</b>	<b>1</b>	<b>0</b>
<b>FIELD</b>	Reserved					FE	IGADDR	WE
<b>DEFAULT VALUE</b>	0	0	0	0	0	0	0	0

Reserved—Must be 0.

FE—Flash Error

If Flash error is detected, this bit is set to 1.

IGADDR—Illegal address

When NVDS byte writes to invalid addresses (those exceeding the NVDS array size) occur, this bit is set to 1.

WE—Write Error

A failure occurs during writing data into Flash. When writing data into a certain address, a read back operation is performed. If the read back value is not the same as the value written, this bit is set to 1.

## Byte Read

To read a byte from the NVDS array, user code must first push the address onto the stack. User code issues a `CALL` instruction to the address of the byte-read routine (`0x2000`). At the return from the sub-routine, the read byte resides in working register `R0`, and the read

status byte resides in working register R1. The bit fields of this status byte are defined in [Table 88](#). Also, the user code should pop the address byte off the stack.

The read routine uses 16 bytes of stack space in addition to the one byte of address pushed by the user code. Sufficient memory must be available for this stack usage.

Because of the Flash memory architecture, NVDS reads exhibit a non-uniform execution time. A read operation takes between 71  $\mu$ s and 258  $\mu$ s (assuming a 20 MHz system clock). Slower system clock speeds result in proportionally higher execution times.

NVDS byte reads from invalid addresses (those exceeding the NVDS array size) return 0xff. Illegal read operations have a 6  $\mu$ s execution time.

The status byte returned by the NVDS read routine is zero for successful read. If the status byte is non-zero, there is a corrupted value in the NVDS array at the location being read. In this case, the value returned in R0 is the byte most recently written to the array that does not have an error.

**Table 88. Read Status Byte**

BITS	7	6	5	4	3	2	1	0
FIELD	Reserved			DE	Reserved	FE	IGADDR	Reserved
DEFAULT VALUE	0	0	0	0	0	0	0	0

Reserved—Must be 0.

DE—Data Error

When reading a NVDS address, if an error is found in the latest data corresponding to this NVDS address, this bit is set to 1. NVDS source code steps forward until finding a valid data at this address.

FE—Flash Error

If Flash error is detected, this bit is set to 1.

IGADDR—Illegal address

When NVDS byte reads from invalid addresses (those exceeding the NVDS array size) occur, this bit is set to 1.

## Power Failure Protection

The NVDS routines employ error checking mechanisms to ensure a power failure endangers only for the most recently written byte. Bytes previously written to the array are not perturbed. For this protection to function, the VBO must be enabled (See [Low-Power Modes](#) on page 33) and configured for a threshold voltage of 2.4 V or greater (See [Trim Bit Address Space](#) on page 122).

A system reset (such as a pin reset or Watchdog Timer reset) that occurs during a write operation also perturbs the byte currently being written. All other bytes in the array are unperturbed.

## Optimizing NVDS Memory Usage for Execution Speed

As listed in [Table 89](#), the NVDS read time varies drastically, this discrepancy being a trade-off for minimizing the frequency of writes that require post-write page erases. The NVDS read time of address N is a function of the number of writes to addresses other than N since the most recent write to address N, as well as the number of writes since the most recent page erase. Neglecting effects caused by page erases and results caused by the initial condition in which the NVDS is blank, a rule of thumb is that every write since the most recent page erase causes read times of unwritten addresses to increase by 0.8  $\mu\text{s}$ , up to a maximum of 258  $\mu\text{s}$ .

**Table 89. NVDS Read Time**

Operation	Minimum Latency ( $\mu\text{s}$ )	Maximum Latency ( $\mu\text{s}$ )
Read	71	258
Write	126	136
Illegal Read	6	6
Illegal Write	7	7

► **Note:** *For every 200 writes, a maintenance operation is necessary. In this rare occurrence, the write takes up to 58 ms to complete.*

If NVDS read performance is critical to your software architecture, you can optimize your code for speed by using any of the methods listed below.

1. Periodically refresh all addresses that are used. This is the most useful method. The optimal use of NVDS in terms of speed is to rotate the writes evenly among all addresses planned to use, bringing all reads closer to the minimum read time. Because the minimum read time is much less than the write time, however, actual speed benefits are not always realized.
2. Use as few unique addresses as possible. This helps to optimize the impact of refreshing.

# On-Chip Debugger

The Z8 Encore!® devices contain an integrated On-Chip Debugger (OCD) that provides the following advanced debugging features:

- Reading and writing of the register file
- Reading and writing of program and data memory
- Setting of breakpoints and watchpoints
- Executing eZ8 CPU instructions

## Architecture

The On-Chip Debugger consists of four primary functional blocks: transmitter, receiver, auto-baud detector/generator, and debug controller. [Figure 20](#) displays the architecture of the On-Chip Debugger.

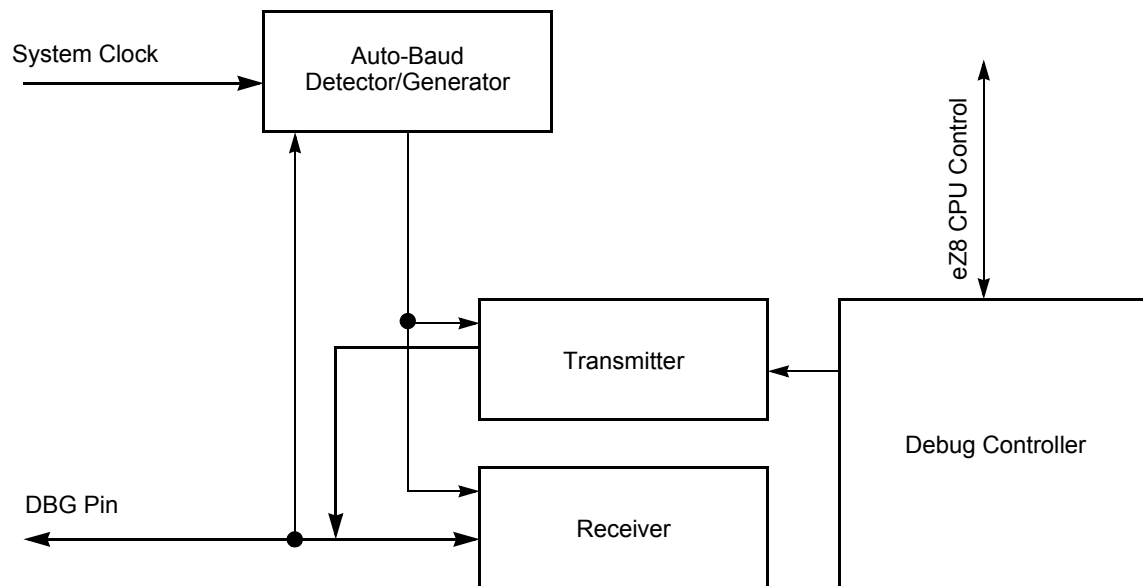


Figure 20. On-Chip Debugger Block Diagram

## Operation

### OCD Interface

The On-Chip Debugger uses the DBG pin for communication with an external host. This one-pin interface is a bidirectional open-drain interface that transmits and receives data. Data transmission is half-duplex, which means transmission and data retrieval cannot occur simultaneously. The serial data on the DBG pin is sent using the standard asynchronous data format defined in RS-232. This pin creates an interface between the Z8 Encore!® F0830 Series products and the serial port of a host PC using minimal external hardware. Two different methods for connecting the DBG pin to an RS-232 interface are displayed in Figure 21 and Figure 22. The recommended method is the buffered implementation depicted in Figure 22. The DBG pin must always be connected to  $V_{DD}$  through an external pull-up resistor.

**Caution:**

*For operation of the On-Chip Debugger, all power pins ( $V_{DD}$  and  $AV_{DD}$ ) must be supplied with power, and all ground pins ( $V_{SS}$  and  $AV_{SS}$ ) must be properly grounded.*

*The DBG pin is open-drain and must always be connected to  $V_{DD}$  through an external pull-up resistor to insure proper operation.*

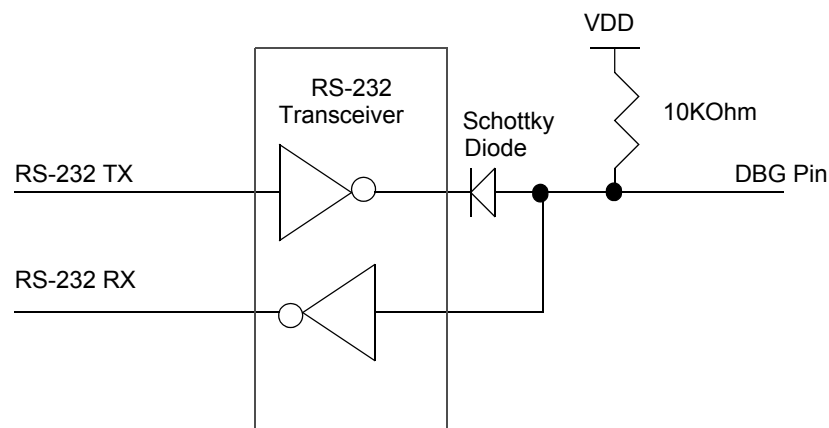


Figure 21. Interfacing the On-Chip Debugger's DBG Pin with an RS-232 Interface (1)

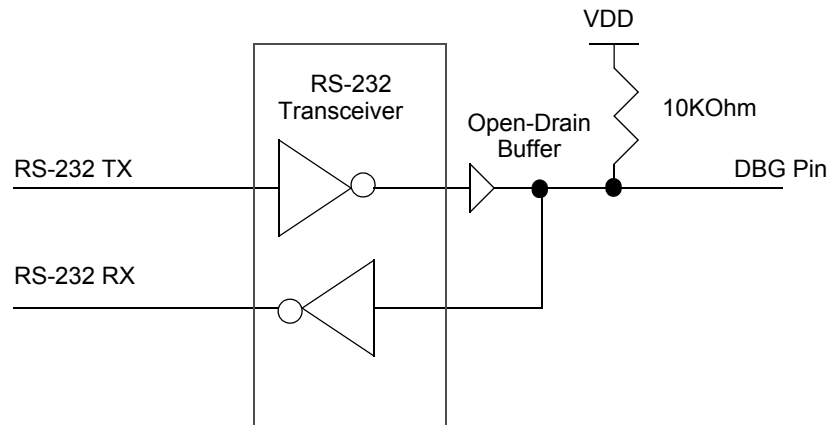


Figure 22. Interfacing the On-Chip Debugger's DBG Pin with an RS-232 Interface (2)

## DEBUG Mode

The operating characteristics of the devices in DEBUG mode are:

- The eZ8 CPU fetch unit stops, idling the eZ8 CPU, unless directed by the OCD to execute specific instructions.
- The system clock operates, unless the device is in STOP mode.
- All enabled on-chip peripherals operate, unless the device is in STOP mode.
- Automatically exits HALT mode.
- Constantly refreshes the Watchdog Timer, if enabled.

### Entering DEBUG Mode

- The device enters DEBUG mode after the eZ8 CPU executes a BRK (Breakpoint) instruction
- If the DBG pin is held low during the most recent clock cycle of system reset, the device enters DEBUG mode on exiting system reset.

### Exiting DEBUG Mode

The device exits DEBUG mode following any of these operations:

- Clearing the DBGMODE bit in the OCD control register to 0
- Power-On Reset
- Voltage Brownout reset
- Watchdog Timer reset

- Asserting the  $\overline{\text{RESET}}$  pin low to initiate a reset
- Driving the DBG pin low while the device is in STOP mode, initiates a system reset

## OCD Data Format

The OCD interface uses the asynchronous data format defined for RS-232. Each character is transmitted as 1 start bit, 8 data bits (least-significant bit first), and 1 stop bit. See [Figure 23](#).

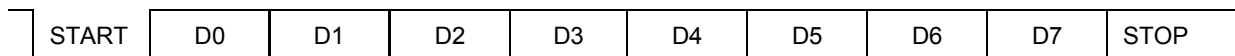


Figure 23. OCD Data Format

## OCD Auto-Baud Detector/Generator

To run over a range of baud rates (data bits per second) with various system clock frequencies, the On-Chip Debugger contains an auto-baud detector/generator. After a reset, the OCD is idle until it receives data. The OCD requires that the first character sent from the host is the character 80H. The character 80H has eight continuous bits low (one Start bit plus 7 data bits), framed between high bits. The auto-baud detector measures this period and sets the OCD baud rate generator accordingly.

The auto-baud detector/generator is clocked by the system clock. The minimum baud rate is the system clock frequency divided by 512. For optimal operation with asynchronous datastreams, the maximum recommended baud rate is the system clock frequency divided by 8. The maximum possible baud rate for asynchronous datastreams is the system clock frequency divided by 4, but this theoretical maximum is possible only for low noise designs with clean signals. [Table 90](#) lists minimum and recommended maximum baud rates for sample crystal frequencies.

Table 90. OCD Baud-Rate Limits

System Clock Frequency (MHz)	Recommended Maximum Baud Rate (kbps)	Recommended Standard PC Baud Rate (bps)	Minimum Baud Rate (kbps)
20.0	2500.0	1,843,200	39
1.0	125.0	115,200	1.95
0.032768 (32 KHz)	4.096	2400	0.064

If the OCD receives a serial break (nine or more continuous bits low), the auto-baud detector/generator resets. Reconfigure the auto-baud detector/generator by sending 80H.



## OCD Serial Errors

The OCD can detect any of the following error conditions on the DBG pin:

- Serial break (a minimum of nine continuous bits low)
- Framing error (received `stop` bit is low)
- Transmit collision (simultaneous transmission by OCD and host detected by the OCD)

When the OCD detects one of these errors, it aborts any command currently in progress, transmits a four character long serial break back to the host, and resets the auto-baud detector/generator. A framing error or transmit collision may be caused by the host sending a serial break to the OCD. As a result of the open-drain nature of the interface, returning a serial break back to the host only extends the length of the serial break if the host releases the serial break early.

The host transmits a serial break on the `DBG` pin when first connecting to the Z8 Encore!® F0830 Series devices or when recovering from an error. A serial break from the host resets the auto-baud generator/detector, but does not reset the OCD control register. A serial break leaves the device in `DEBUG` mode, if that is the current mode. The OCD is held in reset until the end of the serial break when the `DBG` pin returns high. Because of the open-drain nature of the `DBG` pin, the host can send a serial break to the OCD even if the OCD is transmitting a character.

## Breakpoints

Execution breakpoints are generated using the `BRK` instruction (opcode `00H`). When the eZ8 CPU decodes a `BRK` instruction, it signals the OCD. If breakpoints are enabled, the OCD enters `DEBUG` mode and idles the eZ8 CPU. If breakpoints are not enabled, the OCD ignores the `BRK` signal and the `BRK` instruction operates as an `NOP` instruction.

### Breakpoints in Flash Memory

The `BRK` instruction is opcode `00H`, which corresponds to the fully programmed state of a byte in Flash memory. To implement a breakpoint, write `00H` to the required break address overwriting the current instruction. To remove a breakpoint, the corresponding page of Flash memory must be erased and reprogrammed with the original data.

## Runtime Counter

The OCD contains a 16-bit runtime counter. It counts system clock cycles between breakpoints. The counter starts counting when the OCD leaves `DEBUG` mode and stops counting when it enters `DEBUG` mode again or when it reaches the maximum count of `FFFFH`.

## On-Chip Debugger Commands

The host communicates to the On-Chip Debugger by sending OCD commands using the DBG interface. During normal operation, only a subset of the OCD commands are available. In DEBUG mode, all OCD commands become available unless the user code and control registers are protected by programming the Flash read protect option bit (FRP). The FRP prevents the code in memory from being read out of the Z8 Encore!® F0830 Series products. When this option is enabled, several of the OCD commands are disabled. The table below is a summary of the On-Chip Debugger commands. This table indicates the commands that operate when the device is not in DEBUG mode (normal operation) and the commands that are disabled by programming the FRP.

Debug Command	Command Byte	Enabled when NOT in DEBUG mode?	Disabled by Flash Read Protect Option Bit
Read OCD Revision	00H	Yes	–
Reserved	01H	–	–
Read OCD Status Register	02H	Yes	–
Read Runtime Counter	03H	–	–
Write OCD Control Register	04H	Yes	Cannot clear DBGMODE bit
Read OCD Control Register	05H	Yes	–
Write Program Counter	06H	–	Disabled
Read Program Counter	07H	–	Disabled
Write Register	08H	–	Only writes of the Flash Memory Control registers are allowed. Additionally, only the Mass Erase command is allowed to be written to the Flash Control register.
Read Register	09H	–	Disabled
Write Program Memory	0AH	–	Disabled
Read Program Memory	0BH	–	Disabled
Write Data Memory	0CH	–	Yes
Read Data Memory	0DH	–	–
Read Program Memory CRC	0EH	–	–
Reserved	0FH	–	–
Step Instruction	10H	–	Disabled
Stuff Instruction	11H	–	Disabled

Debug Command	Command Byte	Enabled when NOT in DEBUG mode?	Disabled by Flash Read Protect Option Bit
Execute Instruction	12H	–	Disabled
Reserved	13H–FFH	–	–

In the following bulleted list of OCD commands, data and commands sent from the host to the OCD are identified by  $\text{DBG} \leftarrow \text{Command/Data}$ . Data sent from the OCD back to the host is identified by  $\text{DBG} \rightarrow \text{Data}$

- **Read OCD Revision (00H)**—The read OCD revision command determines the version of the On-Chip Debugger. If OCD commands are added, removed, or changed this revision number changes.

$\text{DBG} \leftarrow 00\text{H}$

$\text{DBG} \rightarrow \text{OCDRev}[15:8]$  (Major revision number)

$\text{DBG} \rightarrow \text{OCDRev}[7:0]$  (Minor revision number)

- **Read OCD Status Register (02H)**—The read OCD status register command reads the OCDSTAT register.

$\text{DBG} \leftarrow 02\text{H}$

$\text{DBG} \rightarrow \text{OCDSTAT}[7:0]$

- **Read Runtime Counter (03H)**—The runtime counter counts system clock cycles in between breakpoints. The 16-bit runtime counter counts from 0000H and stops at the maximum count of FFFFH. The runtime counter is overwritten during the write memory, read memory, write register, read register, read memory CRC, step instruction, stuff instruction, and execute instruction commands.

$\text{DBG} \leftarrow 03\text{H}$

$\text{DBG} \rightarrow \text{RuntimeCounter}[15:8]$

$\text{DBG} \rightarrow \text{RuntimeCounter}[7:0]$

- **Write OCD Control Register (04H)**—The write OCD control register command writes the data that follows to the OCDCTL register. When the Flash read protect option bit is enabled, the DBGMODE bit (OCDCTL[7]) can only be set to 1, it cannot be cleared to 0. To return the device to normal operating mode, the device must be reset.

$\text{DBG} \leftarrow 04\text{H}$

$\text{DBG} \leftarrow \text{OCDCTL}[7:0]$

- **Read OCD Control Register (05H)**—The read OCD control register command reads the value of the OCDCTL register.

$\text{DBG} \leftarrow 05\text{H}$

$\text{DBG} \rightarrow \text{OCDCTL}[7:0]$

- **Write Program Counter (06H)**—The write program counter command, writes the data that follows to the eZ8 CPU's program counter (PC). If the device is not in DEBUG mode or if the Flash read protect option bit is enabled, the program counter (PC) values are discarded.

```
DBG ← 06H
DBG ← ProgramCounter[15:8]
DBG ← ProgramCounter[7:0]
```

- **Read Program Counter (07H)**—The read program counter command, reads the value in the eZ8 CPUs program counter (PC). If the device is not in DEBUG mode or if the Flash read protect option bit is enabled, this command returns FFFFH.

```
DBG ← 07H
DBG → ProgramCounter[15:8]
DBG → ProgramCounter[7:0]
```

- **Write Register (08H)**—The write register command, writes data to the register file. Data can be written 1–256 bytes at a time (256 bytes can be written by setting size to 0). If the device is not in DEBUG mode, the address and data values are discarded. If the Flash read protect option bit is enabled, only writes to the Flash control registers are allowed and all other register write data values are discarded.

```
DBG ← 08H
DBG ← {4'h0, Register Address[11:8]}
DBG ← Register Address[7:0]
DBG ← Size[7:0]
DBG ← 1-256 data bytes
```

- **Read Register (09H)**—The read register command, reads data from the register file. Data can be read 1–256 bytes at a time (256 bytes can be read by setting size to 0). If the device is not in DEBUG mode or if the Flash read protect option bit is enabled, this command returns FFH for all the data values.

```
DBG ← 09H
DBG ← {4'h0, Register Address[11:8]}
DBG ← Register Address[7:0]
DBG ← Size[7:0]
DBG → 1-256 data bytes
```

- **Write Program Memory (0AH)**—The write program memory command, writes data to program memory. This command is equivalent to the LDC and LDCI instructions. Data can be written 1–65536 bytes at a time (65536 bytes can be written by setting size to 0). The on-chip Flash controller must be written to and unlocked for the programming operation to occur. If the Flash controller is not unlocked, the data is discarded. If the device is not in DEBUG mode or if the Flash read protect option bit is enabled, the data is discarded.

```
DBG ← 0AH
DBG ← Program Memory Address[15:8]
DBG ← Program Memory Address[7:0]
DBG ← Size[15:8]
DBG ← Size[7:0]
DBG ← 1-65536 data bytes
```

- **Read Program Memory (0BH)**—The read program memory command, reads data from program memory. This command is equivalent to the LDC and LDCI instructions. Data can be read 1–65536 bytes at a time (65536 bytes can be read by setting size to 0). If the device is not in DEBUG mode or if the Flash read protect option bit is enabled, this command returns FFH for the data.

```
DBG ← 0BH
DBG ← Program Memory Address[15:8]
DBG ← Program Memory Address[7:0]
DBG ← Size[15:8]
DBG ← Size[7:0]
DBG → 1-65536 data bytes
```

- **Write Data Memory (0CH)**—The write data memory command, writes data to data memory. This command is equivalent to the LDE and LDEI instructions. Data can be written 1–65536 bytes at a time (65536 bytes can be written by setting size to 0). If the device is not in DEBUG mode or if the flash read protect option bit is enabled, the data is discarded.

```
DBG ← 0CH
DBG ← Data Memory Address[15:8]
DBG ← Data Memory Address[7:0]
DBG ← Size[15:8]
DBG ← Size[7:0]
DBG ← 1-65536 data bytes
```

- **Read Data Memory (0DH)**—The read data memory command, reads from data memory. This command is equivalent to the LDE and LDEI instructions. Data can be read from 1 to 65536 bytes at a time (65536 bytes can be read by setting size to 0). If the device is not in DEBUG mode, this command returns FFH for the data.

```
DBG ← 0DH
DBG ← Data Memory Address[15:8]
DBG ← Data Memory Address[7:0]
DBG ← Size[15:8]
DBG ← Size[7:0]
DBG → 1-65536 data bytes
```

- **Read Program Memory CRC (0EH)**—The read program memory CRC command, computes and returns the cyclic redundancy check (CRC) of program memory using the 16-bit CRC-CCITT polynomial. If the device is not in DEBUG mode, this command

returns FFFFH for the CRC value. Unlike the other OCD read commands, there is a delay from issuing of the command until the OCD returns the data. The OCD reads the program memory, calculates the CRC value, and returns the result. The delay is a function of the program memory size and is approximately equal to the system clock period multiplied by the number of bytes in the program memory.

```
DBG ← 0EH
DBG → CRC[15:8]
DBG → CRC[7:0]
```

- **Step Instruction (10H)**—The step instruction command, steps one assembly instruction at the current program counter (PC) location. If the device is not in DEBUG mode or the Flash read protect option bit is enabled, the OCD ignores this command.

```
DBG ← 10H
```

- **Stuff Instruction (11H)**—The stuff instruction command, steps one assembly instruction and allows specification of the first byte of the instruction. The remaining 0-4 bytes of the instruction are read from program memory. This command is useful for stepping over instructions where the first byte of the instruction has been overwritten by a breakpoint. If the device is not in DEBUG mode or the Flash read protect option bit is enabled, the OCD ignores this command.

```
DBG ← 11H
DBG ← opcode[7:0]
```

- **Execute Instruction (12H)**—The execute instruction command allows sending an entire instruction to be executed to the eZ8 CPU. This command can also step over breakpoints. The number of bytes to send for the instruction depends on the opcode. If the device is not in DEBUG mode or the Flash read protect option bit is enabled, this command reads and discards one byte.

```
DBG ← 12H
DBG ← 1-5 byte opcode
```

## On-Chip Debugger Control Register Definitions

### OCD Control Register

The OCD control register controls the state of the On-Chip Debugger. This register is used to enter or exit DEBUG mode and to enable the BRK instruction. It can also reset the Z8 Encore!® F0830 Series device.

A reset and stop function can be achieved by writing 81H to this register. A reset and Go function can be achieved by writing 41H to this register. If the device is in DEBUG mode, a run function can be implemented by writing 40H to this register.

**Table 91. OCD Control Register (OCDCTL)**

<b>BITS</b>	<b>7</b>	<b>6</b>	<b>5</b>	<b>4</b>	<b>3</b>	<b>2</b>	<b>1</b>	<b>0</b>
<b>FIELD</b>	DBGMODE	BRKEN	DBGACK	Reserved				RST
<b>RESET</b>	0	0	0	0	0	0	0	0
<b>R/W</b>	R/W	R/W	R/W	R	R	R	R	R/W

**DBGMODE—DEBUG mode**

The device enters DEBUG mode when this bit is 1. When in DEBUG mode, the eZ8 CPU stops fetching new instructions. Clearing this bit causes the eZ8 CPU to restart. This bit is automatically set when a BRK instruction is decoded and breakpoints are enabled. If the Flash read protect option bit is enabled, this bit can only be cleared by resetting the device. It cannot be written to 0.

0 = The Z8 Encore! F0830 Series device is operating in NORMAL mode

1 = The Z8 Encore! F0830 Series device is in DEBUG mode

**BRKEN—Breakpoint enable**

This bit controls the behavior of the BRK instruction (opcode 00H). By default, breakpoints are disabled and the BRK instruction behaves similar to an NOP instruction. If this bit is 1 when a BRK instruction is decoded, the DBGMODE bit of the OCDCTL register is automatically set to 1.

0 = Breakpoints are disabled

1 = Breakpoints are enabled

**DBGACK—Debug acknowledge**

This bit enables the debug acknowledge feature. If this bit is set to 1, the OCD sends a Debug acknowledge character (FFH) to the host when a breakpoint occurs.

0 = Debug acknowledge is disabled

1 = Debug acknowledge is enabled

**Reserved—Must be 0**

**RST—Reset**

Setting this bit to 1 resets the Z8F04xA family device. The device goes through a normal Power-on reset sequence with the exception that the On-Chip Debugger is not reset. This bit is automatically cleared to 0 at the end of reset.

0 = No effect

1 = Reset the Flash read protect option bit device

## OCD Status Register

The OCD status register reports status information about the current state of the debugger and the system.

**Table 92. OCD Status Register (OCDSTAT)**

<b>BITS</b>	<b>7</b>	<b>6</b>	<b>5</b>	<b>4</b>	<b>3</b>	<b>2</b>	<b>1</b>	<b>0</b>
<b>FIELD</b>	DBG	HALT	FRPENB	Reserved				
<b>RESET</b>	0	0	0	0	0	0	0	0
<b>R/W</b>	R	R	R	R	R	R	R	R

DBG—Debug status

0 = NORMAL mode

1 = DEBUG mode

HALT—HALT Mode

0 = Not in HALT mode

1 = In HALT mode

FRPENB—Flash read protect option bit Enable

0 = FRP bit enabled, that allows disabling of many OCD commands

1 = FRP bit has no effect

Reserved—Must be 0



# Oscillator Control

The Z8 Encore!® F0830 Series device uses five possible clocking schemes. Each one of these is user-selectable.

- On-chip precision trimmed RC oscillator
- On-chip oscillator using off-chip crystal or resonator
- On-chip oscillator using external RC network
- External clock drive
- On-chip low precision Watchdog Timer Oscillator

In addition, Z8 Encore! F0830 Series devices contain clock failure detection and recovery circuitry, allowing continued operation despite a failure of the primary oscillator.

## Operation

This chapter discusses the logic used to select the system clock and handle primary oscillator failures. A description of the specific operation of each oscillator is outlined further in this document.

## System Clock Selection

The oscillator control block selects from the available clocks. [Table 93](#) describes each clock source and its usage.

**Table 93. Oscillator Configuration and Selection**

Clock Source	Characteristics	Required Setup
Internal precision RC oscillator	<ul style="list-style-type: none"> <li>• 32.8 kHz or 5.53 MHz</li> <li>• <math>\pm 4\%</math> accuracy when trimmed</li> <li>• No external components required</li> </ul>	<ul style="list-style-type: none"> <li>• Unlock and write oscillator control register (OSCCTL) to enable and select oscillator at either 5.53 MHz or 32.8 kHz</li> </ul>
External crystal/resonator	<ul style="list-style-type: none"> <li>• 32 kHz to 20 MHz</li> <li>• Very high accuracy (dependent on crystal or resonator used)</li> <li>• Requires external components</li> </ul>	<ul style="list-style-type: none"> <li>• Configure Flash option bits for correct external OSCILLATOR mode</li> <li>• Unlock and write OSCCTL to enable crystal oscillator, wait for it to stabilize and select as system clock (if the XTLDIS option bit has been de-asserted, no waiting is required)</li> </ul>

**Table 93. Oscillator Configuration and Selection (Continued)**

Clock Source	Characteristics	Required Setup
External RC oscillator	<ul style="list-style-type: none"> <li>• 32 kHz to 4 MHz</li> <li>• Accuracy dependent on external components</li> </ul>	<ul style="list-style-type: none"> <li>• Configure Flash option bits for correct external OSCILLATOR mode</li> <li>• Unlock and write OSCCTL to enable crystal oscillator and select as system clock</li> </ul>
External clock drive	<ul style="list-style-type: none"> <li>• 0 to 20 MHz</li> <li>• Accuracy dependent on external clock source</li> </ul>	<ul style="list-style-type: none"> <li>• Write GPIO registers to configure PB3 pin for external clock function</li> <li>• Unlock and write OSCCTL to select external system clock</li> <li>• Apply external clock signal to GPIO</li> </ul>
Internal Watchdog Timer Oscillator	<ul style="list-style-type: none"> <li>• 10 kHz nominal</li> <li>• ± 40% accuracy; no external components required</li> <li>• Low power consumption</li> </ul>	<ul style="list-style-type: none"> <li>• Enable WDT if not enabled and wait until WDT oscillator is operating.</li> <li>• Unlock and write oscillator control register (OSCCTL) to enable and select oscillator</li> </ul>



**Caution:** *Unintentional accesses to the oscillator control register can actually stop the chip by switching to a non-functioning oscillator. To prevent this condition, the oscillator control block employs a register unlocking/locking scheme.*

### OSC Control Register Unlocking/Locking

To write the oscillator control register, unlock it by making two writes to the OSCCTL register with the values  $E7H$  followed by  $18H$ . A third write to the OSCCTL register changes the value of the actual register and returns the register to a Locked state. Any other sequence of oscillator control register writes have no effect. The values written to unlock the register must be ordered correctly, but are not necessarily consecutive. It is possible to write to or read from other registers within the unlocking/locking operation.

When selecting a new clock source, the primary oscillator failure detection circuitry and the Watchdog Timer Oscillator failure circuitry must be disabled. If POFEN and WOFEN are not disabled prior to a clock switch-over, it is possible to generate an interrupt for a failure of either oscillator. The failure detection circuitry can be enabled anytime after a successful write of OSCSEL in the oscillator control register.

The Internal Precision Oscillator is enabled by default. If the user code changes to a different oscillator, it may be appropriate to disable the IPO for power savings. Disabling the IPO does not occur automatically.

## Clock Failure Detection and Recovery

### Primary Oscillator Failure

The Z8F04xA family devices can generate non-maskable interrupt-like events when the primary oscillator fails. To maintain system function in this situation, the clock failure recovery circuitry automatically forces the Watchdog Timer Oscillator to drive the system clock. The Watchdog Timer Oscillator must be enabled to allow the recovery. Although this oscillator runs at a much slower speed than the original system clock, the CPU continues to operate, allowing execution of a clock failure vector and software routines that either remedy the oscillator failure or issue a failure alert. This automatic switch-over is not available if the Watchdog Timer is the primary oscillator. It is also unavailable if the Watchdog Timer Oscillator is disabled, though it is not necessary to enable the Watchdog Timer reset function outlined in the Watchdog Timer chapter of this document.

The primary oscillator failure detection circuitry asserts if the system clock frequency drops below 1 KHz  $\pm 50\%$ . If an external signal is selected as the system oscillator, it is possible that a very slow but non-failing clock can generate a failure condition. Under these conditions, do not enable the clock failure circuitry (POFEN must be deasserted in the OSCCTL register).

### Watchdog Timer Failure

In the event of failure of a Watchdog Timer Oscillator, a similar non-maskable interrupt-like event is issued. This event does not trigger an attendant clock switch-over, but alerts the CPU of the failure. After a Watchdog Timer failure, it is no longer possible to detect a primary oscillator failure. The failure detection circuitry does not function if the Watchdog Timer is used as the primary oscillator or if the Watchdog Timer Oscillator has been disabled. For either of these cases, it is necessary to disable the detection circuitry by deasserting the WDFEN bit of the OSCCTL register.

The Watchdog Timer Oscillator failure detection circuit counts system clocks while looking for a Watchdog Timer clock. The logic counts 8004 system clock cycles before determining that a failure has occurred. The system clock rate determines the speed at which the Watchdog Timer failure is detected. A very slow system clock results in very slow detection times.



**Caution:** *It is possible to disable the clock failure detection circuitry as well as all functioning clock sources. In this case, the Z8 Encore!® F0830 Series device ceases functioning and can only be recovered by power-on-reset.*

## Oscillator Control Register Definitions

### Oscillator Control Register

The oscillator control register (OSCCTL) enables/disables the various oscillator circuits, enables/disables the failure detection/recovery circuitry, and selects the primary oscillator, which becomes the system clock.

The oscillator control register must be unlocked before writing. Writing the two step sequence E7H followed by 18H to the oscillator control register unlocks it. The register is locked at successful completion of a register write to the OSCCTL. Figure 24 on page 147 displays the oscillator control clock switching flow. See Table 112 on page 181 for waiting time of various oscillator circuits.

**Table 94. Oscillator Control Register (OSCCTL)**

BITS	7	6	5	4	3	2	1	0
FIELD	INTEN	XTLEN	WDTEN	POFEN	WDFEN	SCKSEL		
RESET	1	0	1	0	0	0	0	0
R/W	R/W	R/W	R/W	R/W	R/W	R/W	R/W	R/W
ADDR	F86H							

INTEN—Internal Precision Oscillator enable

1 = Internal Precision Oscillator is enabled

0 = Internal Precision Oscillator is disabled

XTLEN—Crystal oscillator enable; this setting overrides the GPIO register control for PA0 and PA1

1 = Crystal oscillator is enabled

0 = Crystal oscillator is disabled

WDTEN—Watchdog Timer Oscillator enable

1 = Watchdog Timer Oscillator is enabled

0 = Watchdog Timer Oscillator is disabled

POFEN—Primary oscillator failure detection enable

1 = Failure detection and recovery of primary oscillator is enabled

0 = Failure detection and recovery of primary oscillator is disabled

WDFEN—Watchdog Timer Oscillator failure detection enable

1 = Failure detection of Watchdog Timer Oscillator is enabled

0 = Failure detection of Watchdog Timer Oscillator is disabled

SCKSEL—System clock oscillator select

000 = Internal Precision Oscillator functions as system clock at 5.53 MHz

001 = Internal Precision Oscillator functions as system clock at 32 kHz

010 = Crystal oscillator or external RC oscillator functions as system clock  
 011 = Watchdog Timer Oscillator functions as system clock  
 100 = External clock signal on PB3 functions as system clock  
 101 = Reserved  
 110 = Reserved  
 111 = Reserved

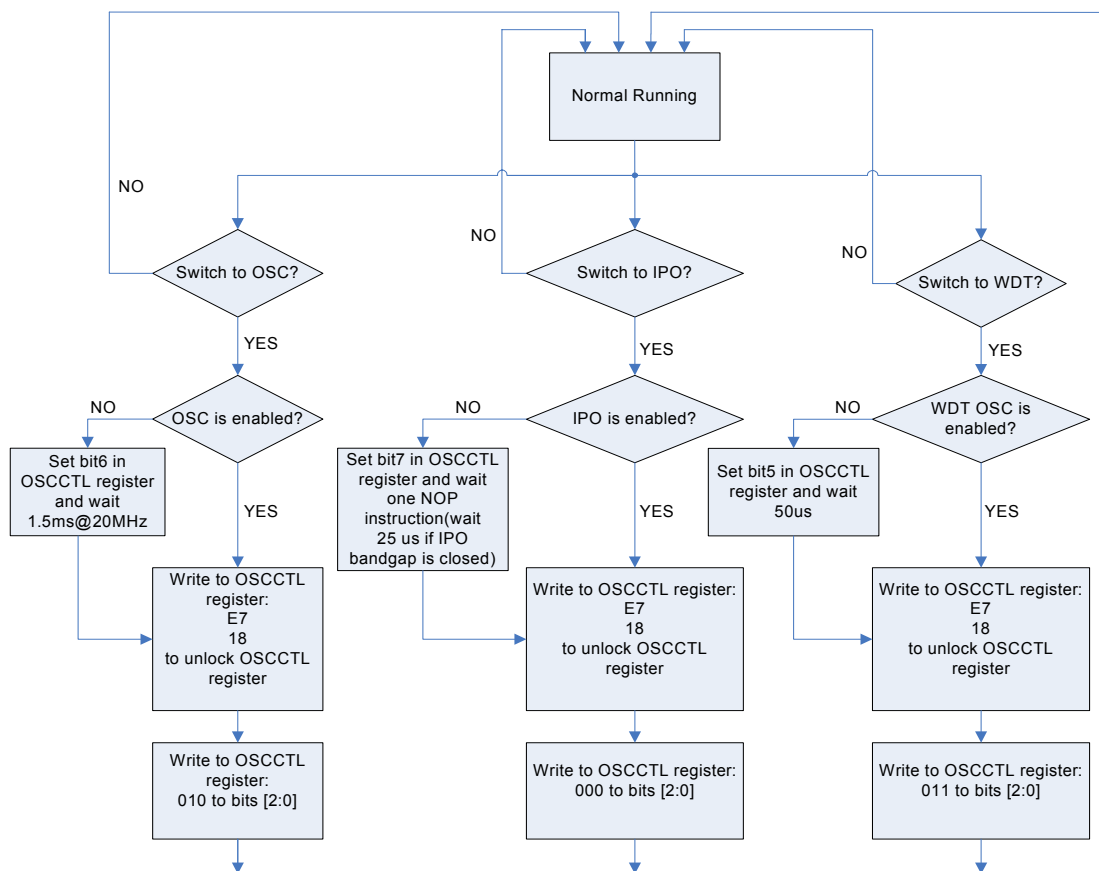


Figure 24. Oscillator Control Clock Switching Flow Chart



# Crystal Oscillator

The products in the Z8 Encore!® F0830 Series contain an on-chip crystal oscillator for use with external crystals with 32 kHz to 20 MHz frequencies. In addition, the oscillator supports external RC networks with oscillation frequencies up to 4 MHz or ceramic resonators with frequencies up to 8 MHz. The on-chip crystal oscillator can be used to generate the primary system clock for the internal eZ8 CPU and the majority of the on-chip peripherals. Alternatively, the  $X_{IN}$  input pin can also accept a CMOS-level clock input signal (32 kHz–20 MHz). If an external clock generator is used, the  $X_{OUT}$  pin must be left unconnected. The on-chip crystal oscillator also contains a clock filter function. For details settings of this clock filter, see [Table 86](#) on page 125. But by default, this clock filter is disabled and no divide to the input clock, namely the frequency of the signal on the  $X_{IN}$  input pin determines the frequency of the system clock in default settings.

- **Note:** *Although the  $X_{IN}$  pin can be used as an input for an external clock generator, the  $CLKIN$  pin is better suited for such use. See [System Clock Selection](#) on page 143 for more information.*

## Operating Modes

The Z8 Encore! F0830 Series products support four OSCILLATOR modes.

- Minimum power for use with very low frequency crystals (32 kHz to 1 MHz).
- Medium power for use with medium frequency crystals or ceramic resonators (0.5 MHz to 8 MHz).
- Maximum power for use with high frequency crystals (8 MHz to 20 MHz).
- On-chip oscillator configured for use with external RC networks (<4 MHz).

The OSCILLATOR mode is selected using user-programmable Flash option bits. See [Flash Option Bits](#) on page 117 for more information.

## Crystal Oscillator Operation

The Flash option bit  $XTLDIS$  controls whether the crystal oscillator is enabled during reset. The crystal may later be disabled after reset if a new oscillator has been selected as the system clock. If the crystal is manually enabled after reset through the  $OSCCTL$  register, the user code must wait at least 5000 IPO cycles for the crystal to stabilize. After this, the crystal oscillator may be selected as the system clock.

[Figure 25](#) displays a recommended configuration for connection with an external fundamental-mode, parallel-resonant crystal operating at 20 MHz. Recommended 20

MHz crystal specifications are provided in Table 95. Resistor  $R_1$  is optional and limits total power dissipation by the crystal. Printed circuit board layout must add no more than 4 pF of stray capacitance to either the  $X_{IN}$  or  $X_{OUT}$  pins. If oscillation does not occur, reduce the values of capacitors  $C_1$  and  $C_2$  to decrease loading.

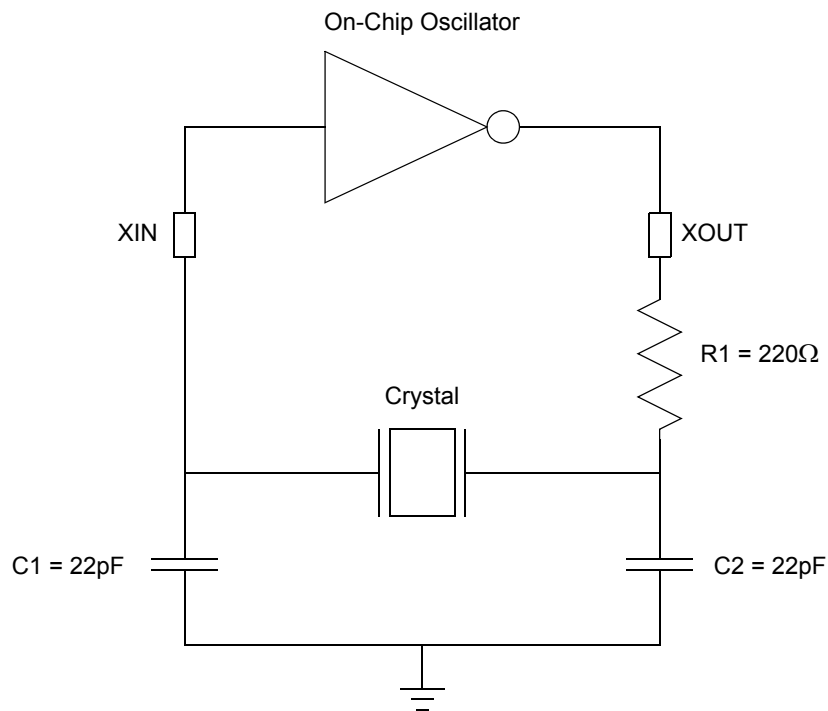


Figure 25. Recommended 20 MHz Crystal Oscillator Configuration

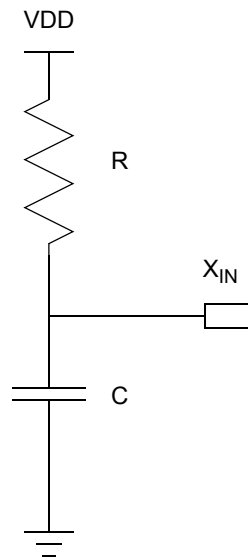
Table 95. Recommended Crystal Oscillator Specifications

Parameter	Value	Units	Comments
Frequency	20	MHz	
Resonance	Parallel		
Mode	Fundamental		
Series Resistance ( $R_S$ )	60	$\Omega$	Maximum
Load Capacitance ( $C_L$ )	30	pF	Maximum
Shunt Capacitance ( $C_0$ )	7	pF	Maximum
Drive Level	1	mW	Maximum



## Oscillator Operation with an External RC Network

Figure 26 displays a recommended configuration for connection with an external resistor-capacitor (RC) network.



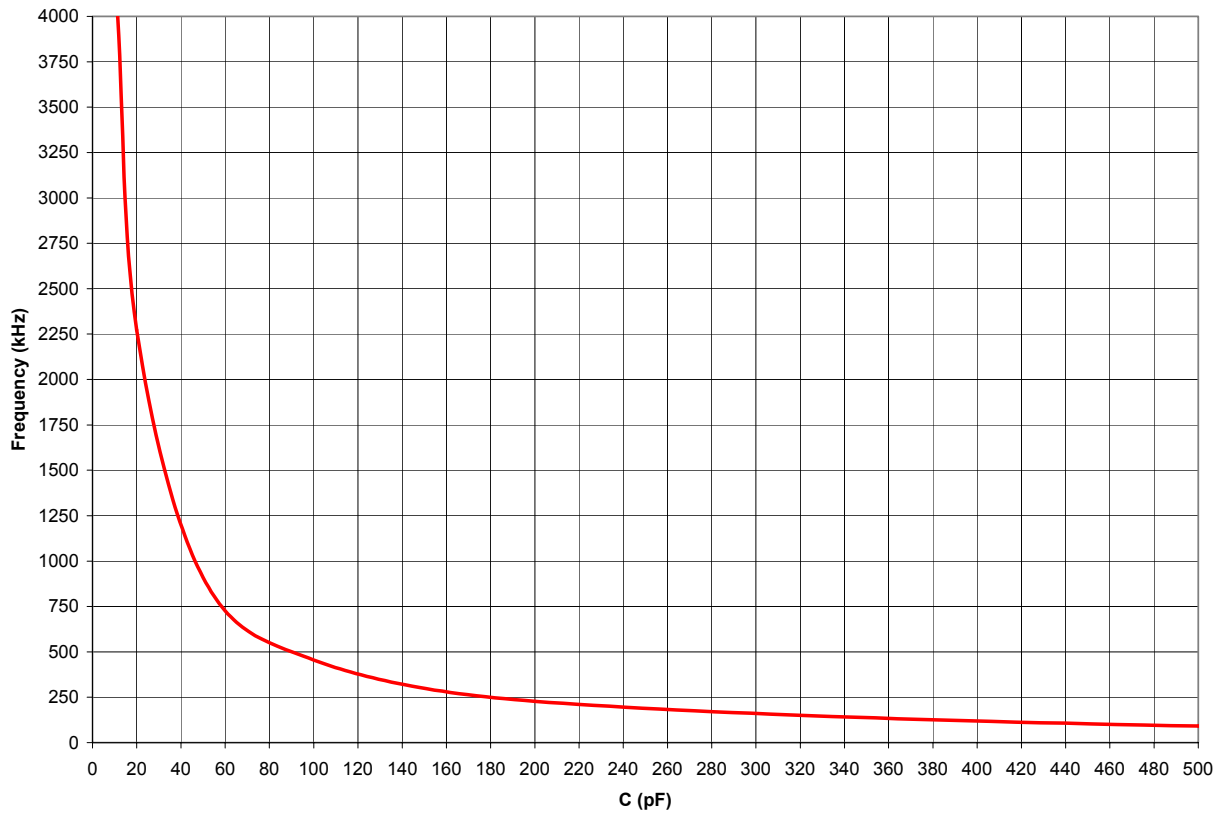
**Figure 26. Connecting the On-Chip Oscillator to an External RC Network**

An external resistance value of 45 kΩ is recommended for oscillator operation with an external RC network. The minimum resistance value to ensure operation is 40 kΩ. The typical oscillator frequency can be estimated from the values of the resistor (R in kΩ) and capacitor (C in pF) elements using the following equation

$$\text{Oscillator Frequency (kHz)} = \frac{1 \times 10^6}{(0.4 \times R \times C) + (4 \times C)}$$

Figure 27 displays the typical (3.3 V and 25 °C) oscillator frequency as a function of the capacitor (C in pF) employed in the RC network assuming a 45 kΩ external resistor. For very small values of C, the parasitic capacitance of the oscillator X<sub>IN</sub> pin and the printed circuit board should be included in the estimation of the oscillator frequency.

It is possible to operate the RC oscillator using only the parasitic capacitance of the package and printed circuit board. To minimize sensitivity to external parasitics, external capacitance values in excess of 20 pF are recommended.



**Figure 27. Typical RC Oscillator Frequency as a Function of the External Capacitance with a 45 kΩ Resistor**



**Caution:**

*When using the external RC OSCILLATOR mode, the oscillator can stop oscillating, if the power supply drops below 2.7 V. But before the power supply drops to the Voltage Brownout threshold. The oscillator resumes oscillation when the supply voltage exceeds 2.7 V.*

# Internal Precision Oscillator

The Internal Precision Oscillator (IPO) is designed for use without external components. You can either manually trim the oscillator for a non-standard frequency or use the automatic factory trimmed version to achieve a 5.53 MHz frequency with  $\pm 4\%$  accuracy and 45%~55% duty cycle over the operating temperature and supply voltage of the device. Maximum startup time of IPO is 25  $\mu$ s. IPO features include:

- On-chip RC oscillator that does not require external components
- Output frequency of either 5.53 MHz or 32.8 kHz (contains both a FAST and a SLOW mode)
- Trimming possible through Flash option bits with user override
- Elimination of crystals or ceramic resonators in applications where high timing accuracy is not required

## Operation

The internal oscillator is an RC relaxation oscillator with minimized sensitivity to power supply variation. By using ratio tracking thresholds, the effect of power supply voltage is cancelled out. The dominant source of oscillator error is the absolute variance of chip level fabricated components, such as capacitors. An 8-bit trimming register, incorporated into the design, compensates for absolute variation of oscillator frequency. Once trimmed the oscillator frequency is stable and does not require subsequent calibration. Trimming was performed during manufacturing and is not necessary for the user to repeat unless a frequency other than 5.53 MHz (FAST mode) or 32.8 kHz (SLOW mode) is required.

Power-down this block for minimum system power.

By default, the oscillator is configured through the Flash option bits. However, the user code can override these trim values as described in [Trim Bit Address Space](#) on page 122.

Select one of two frequencies for the oscillator: 5.53 MHz and 32.8 kHz, using the OSCSEL bits in the [Oscillator Control](#) on page 143.



# eZ8 CPU Instruction Set

## Assembly Language Programming Introduction

The eZ8 CPU assembly language provides a means for writing an application program without concern for actual memory addresses or machine instruction formats. A program written in assembly language is called a source program. Assembly language allows the use of symbolic addresses to identify memory locations. It also allows mnemonic codes (opcodes and operands) to represent the instructions themselves. The opcodes identify the instruction while the operands represent memory locations, registers, or immediate data values.

Each assembly language program consists of a series of symbolic commands called statements. Each statement contains labels, operations, operands and comments.

Labels can be assigned to a particular instruction step in a source program. The label identifies that step in the program as an entry point for use by other instructions.

The assembly language also includes assembler directives that supplement the machine instruction. The assembler directives, or pseudo-ops, are not translated into a machine instruction. Rather, the pseudo-ops are interpreted as directives that control or assist the assembly process.

The source program is processed (assembled) by the assembler to obtain a machine language program called the object code. The object code is executed by the eZ8 CPU. An example segment of an assembly language program is given in the following example.

### Assembly Language Source Program Example

```
JP START          ; Everything after the semicolon is a comment.

START:            ; A label called "START". The first instruction (JP START) in this
                  ; example causes program execution to jump to the point within the
                  ; program where the START label occurs.

LD R4, R7         ; A Load (LD) instruction with two operands. The first operand,
                  ; Working register R4, is the destination. The second operand,
                  ; Working register R7, is the source. The contents of R7 is
                  ; written into R4.

LD 234H, #%01    ; Another Load (LD) instruction with two operands.
                  ; The first operand, extended mode register Address 234H,
                  ; identifies the destination. The second operand, immediate data
                  ; value 01H, is the source. The value 01H is written into the
                  ; register at address 234H.
```

## Assembly Language Syntax

For proper instruction execution, eZ8 CPU assembly language syntax requires that the operands be written as ‘destination, source’. After assembly, the object code usually has the operands in the order ‘source, destination’, but ordering is opcode dependent. The following instruction examples illustrate the format of some basic assembly instructions and the resulting object code produced by the assembler. This binary format must be followed by users that prefer manual program coding or intend to implement their own assembler.

**Example 1:** If the contents of registers 43H and 08H are added and the result is stored in 43H, the assembly syntax and resulting object code is:

**Table 96. Assembly Language Syntax Example 1**

<b>Assembly Language Code</b>	ADD	43H,	08H	(ADD dst, src)
<b>Object Code</b>	04	08	43	(OPC src, dst)

**Example 2:** In general, when an instruction format requires an 8-bit register address, the address can specify any register location in the range 0–255 or, using escaped mode addressing, a working register R0–R15. If the contents of register 43H and working register R8 are added and the result is stored in 43H, the assembly syntax and resulting object code is:

**Table 97. Assembly Language Syntax Example 2**

<b>Assembly Language Code</b>	ADD	43H,	R8	(ADD dst, src)
<b>Object Code</b>	04	E8	43	(OPC src, dst)

See the device specific product specification to determine the exact register file range available. The register file size varies, depending on the device type.

## eZ8 CPU Instruction Notation

In the eZ8 CPU instruction summary and description sections, the operands, condition codes, status flags, and address modes are represented by a notational shorthand that is described in [Table 98](#).

**Table 98. Notational Shorthand**

Notation	Description	Operand	Range
b	Bit	b	b represents a value from 0 to 7 (000B to 111B).
cc	Condition Code	—	See condition codes overview in the eZ8 CPU User Manual.
DA	Direct Address	Addr	Addr. represents a number in the range of 0000H to FFFFH
ER	Extended Addressing Register	Reg	Reg. represents a number in the range of 000H to FFFH
IM	Immediate Data	#Data	Data is a number between 00H to FFH
Ir	Indirect Working Register	@Rn	n = 0 –15
IR	Indirect Register	@Reg	Reg. represents a number in the range of 00H to FFH
Irr	Indirect Working Register Pair	@RRp	p = 0, 2, 4, 6, 8, 10, 12, or 14
IRR	Indirect Register Pair	@Reg	Reg. represents an even number in the range 00H to FEH
p	Polarity	p	Polarity is a single bit binary value of either 0B or 1B.
r	Working Register	Rn	n = 0 – 15
R	Register	Reg	Reg. represents a number in the range of 00H to FFH
RA	Relative Address	X	X represents an index in the range of +127 to –128 which is an offset relative to the address of the next instruction
rr	Working Register Pair	RRp	p = 0, 2, 4, 6, 8, 10, 12, or 14
RR	Register Pair	Reg	Reg. represents an even number in the range of 00H to FEH
Vector	Vector Address	Vector	Vector represents a number in the range of 00H to FFH
X	Indexed	#Index	The register or register pair to be indexed is offset by the signed Index value (#Index) in a +127 to -128 range.

Table 99 contains additional symbols that are used throughout the instruction summary and instruction set description sections.

**Table 99. Additional Symbols**

Symbol	Definition
dst	Destination Operand
src	Source Operand
@	Indirect Address Prefix
SP	Stack Pointer
PC	Program Counter
FLAGS	Flags Register
RP	Register Pointer
#	Immediate Operand Prefix
B	Binary Number Suffix
%	Hexadecimal Number Prefix
H	Hexadecimal Number Suffix

Assignment of a value is indicated by an arrow. For example,

$$\text{dst} \leftarrow \text{dst} + \text{src}$$

indicates that the source data is added to the destination data and the result is stored in the destination location.

## eZ8 CPU Instruction Classes

eZ8 CPU instructions can be divided functionally into the following groups:

- Arithmetic
- Bit manipulation
- Block transfer
- CPU control
- Load
- Logical
- Program control
- Rotate and shift



Table 100 through Table 107 contain the instructions belonging to each group and the number of operands required for each instruction. Some instructions appear in more than one table as these instructions can be considered as a subset of more than one category. Within these tables, the source operand is identified as 'src', the destination operand is 'dst', and a condition code is 'cc'.

**Table 100. Arithmetic Instructions**

Mnemonic	Operands	Instruction
ADC	dst, src	Add with Carry
ADCX	dst, src	Add with Carry using Extended Addressing
ADD	dst, src	Add
ADDX	dst, src	Add using Extended Addressing
CP	dst, src	Compare
CPC	dst, src	Compare with Carry
CPCX	dst, src	Compare with Carry using Extended Addressing
CPX	dst, src	Compare using Extended Addressing
DA	dst	Decimal Adjust
DEC	dst	Decrement
DECW	dst	Decrement Word
INC	dst	Increment
INCW	dst	Increment Word
MULT	dst	Multiply
SBC	dst, src	Subtract with Carry
SBCX	dst, src	Subtract with Carry using Extended Addressing
SUB	dst, src	Subtract
SUBX	dst, src	Subtract using Extended Addressing

**Table 101. Bit Manipulation Instructions**

Mnemonic	Operands	Instruction
BCLR	bit, dst	Bit Clear
BIT	p, bit, dst	Bit Set or Clear
BSET	bit, dst	Bit Set
BSWAP	dst	Bit Swap
CCF	—	Complement Carry Flag
RCF	—	Reset Carry Flag
SCF	—	Set Carry Flag
TCM	dst, src	Test Complement Under Mask
TCMX	dst, src	Test Complement Under Mask using Extended Addressing
TM	dst, src	Test Under Mask
TMX	dst, src	Test Under Mask using Extended Addressing

**Table 102. Block Transfer Instructions**

Mnemonic	Operands	Instruction
LDCI	dst, src	Load Constant to/from Program Memory and Auto-Increment Addresses
LDEI	dst, src	Load External Data to/from Data Memory and Auto-Increment Addresses

**Table 103. CPU Control Instructions**

Mnemonic	Operands	Instruction
ATM	—	Atomic Execution
CCF	—	Complement Carry Flag
DI	—	Disable Interrupts
EI	—	Enable Interrupts
HALT	—	HALT Mode
NOP	—	No Operation
RCF	—	Reset Carry Flag
SCF	—	Set Carry Flag
SRP	src	Set Register Pointer
STOP	—	STOP Mode
WDT	—	Watchdog Timer Refresh

**Table 104. Load Instructions**

<b>Mnemonic</b>	<b>Operands</b>	<b>Instruction</b>
CLR	dst	Clear
LD	dst, src	Load
LDC	dst, src	Load Constant to/from Program Memory
LDCI	dst, src	Load Constant to/from Program Memory and Auto-Increment Addresses
LDE	dst, src	Load External Data to/from Data Memory
LDEI	dst, src	Load External Data to/from Data Memory and Auto-Increment Addresses
LDWX	dst, src	Load Word using Extended Addressing
LDX	dst, src	Load using Extended Addressing
LEA	dst, X(src)	Load Effective Address
POP	dst	Pop
POPX	dst	Pop using Extended Addressing
PUSH	src	Push
PUSHX	src	Push using Extended Addressing

**Table 105. Logical Instructions**

<b>Mnemonic</b>	<b>Operands</b>	<b>Instruction</b>
AND	dst, src	Logical AND
ANDX	dst, src	Logical AND using Extended Addressing
COM	dst	Complement
OR	dst, src	Logical OR
ORX	dst, src	Logical OR using Extended Addressing
XOR	dst, src	Logical Exclusive OR
XORX	dst, src	Logical Exclusive OR using Extended Addressing

**Table 106. Program Control Instructions**

Mnemonic	Operands	Instruction
BRK	—	On-chip Debugger Break
BTJ	p, bit, src, DA	Bit Test and Jump
BTJNZ	bit, src, DA	Bit Test and Jump if Non-Zero
BTJZ	bit, src, DA	Bit Test and Jump if Zero
CALL	dst	Call Procedure
DJNZ	dst, src, RA	Decrement and Jump Non-Zero
IRET	—	Interrupt Return
JP	dst	Jump
JP cc	dst	Jump Conditional
JR	DA	Jump Relative
JR cc	DA	Jump Relative Conditional
RET	—	Return
TRAP	vector	Software Trap

**Table 107. Rotate and Shift Instructions**

Mnemonic	Operands	Instruction
BSWAP	dst	Bit Swap
RL	dst	Rotate Left
RLC	dst	Rotate Left through Carry
RR	dst	Rotate Right
RRC	dst	Rotate Right through Carry
SRA	dst	Shift Right Arithmetic
SRL	dst	Shift Right Logical
SWAP	dst	Swap Nibbles

## eZ8 CPU Instruction Summary

Table 108 summarizes the eZ8 CPU instructions. The table identifies the addressing modes employed by the instruction, the effect upon the Flags register, the number of CPU clock cycles required for the instruction fetch, and the number of CPU clock cycles required for the instruction execution.

**Table 108. eZ8 CPU Instruction Summary**

Assembly Mnemonic	Symbolic Operation	Address Mode		Opcode(s) (Hex)	Flags					Fetch Cycles	Instr. Cycles	
		dst	src		C	Z	S	V	D			H
ADC dst, src	$dst \leftarrow dst + src + C$	r	r	12	*	*	*	*	0	*	2	3
		r	lr	13							2	4
		R	R	14							3	3
		R	IR	15							3	4
		R	IM	16							3	3
		IR	IM	17							3	4
ADCX dst, src	$dst \leftarrow dst + src + C$	ER	ER	18	*	*	*	*	0	*	4	3
		ER	IM	19							4	3
ADD dst, src	$dst \leftarrow dst + src$	r	r	02	*	*	*	*	0	*	2	3
		r	lr	03							2	4
		R	R	04							3	3
		R	IR	05							3	4
		R	IM	06							3	3
		IR	IM	07							3	4
ADDX dst, src	$dst \leftarrow dst + src$	ER	ER	08	*	*	*	*	0	*	4	3
		ER	IM	09							4	3
AND dst, src	$dst \leftarrow dst \text{ AND } src$	r	r	52	-	*	*	0	-	-	2	3
		r	lr	53							2	4
		R	R	54							3	3
		R	IR	55							3	4
		R	IM	56							3	3
		IR	IM	57							3	4
Flags Notation:	* = Value is a function of the result of the operation.		0 = Reset to 0									
	- = Unaffected		1 = Set to 1									
	X = Undefined											

Table 108. eZ8 CPU Instruction Summary (Continued)

Assembly Mnemonic	Symbolic Operation	Address Mode		Opcode(s) (Hex)	Flags						Fetch Cycles	Instr. Cycles
		dst	src		C	Z	S	V	D	H		
ANDX dst, src	dst ← dst AND src	ER	ER	58	-	*	*	0	-	-	4	3
		ER	IM	59							4	3
ATM	Block all interrupt and DMA requests during execution of the next 3 instructions			2F	-	-	-	-	-	-	1	2
BCLR bit, dst	dst[bit] ← 0	r		E2	-	*	*	0	-	-	2	2
BIT p, bit, dst	dst[bit] ← p	r		E2	-	*	*	0	-	-	2	2
BRK	Debugger Break			00	-	-	-	-	-	-	1	1
BSET bit, dst	dst[bit] ← 1	r		E2	-	*	*	0	-	-	2	2
BSWAP dst	dst[7:0] ← dst[0:7]	R		D5	X	*	*	0	-	-	2	2
BTJ p, bit, src, dst	if src[bit] = p PC ← PC + X		r	F6	-	-	-	-	-	-	3	3
			lr	F7							3	4
BTJNZ bit, src, dst	if src[bit] = 1 PC ← PC + X		r	F6	-	-	-	-	-	-	3	3
			lr	F7							3	4
BTJZ bit, src, dst	if src[bit] = 0 PC ← PC + X		r	F6	-	-	-	-	-	-	3	3
			lr	F7							3	4
CALL dst	SP ← SP - 2 @SP ← PC PC ← dst	IRR		D4	-	-	-	-	-	-	2	6
		DA		D6							3	3
CCF	C ← ~C			EF	*	-	-	-	-	-	1	2
CLR dst	dst ← 00H	R		B0	-	-	-	-	-	-	2	2
		IR		B1							2	3
COM dst	dst ← ~dst	R		60	-	*	*	0	-	-	2	2
		IR		61							2	3
Flags Notation:	* = Value is a function of the result of the operation.				0 = Reset to 0							
	- = Unaffected				1 = Set to 1							
	X = Undefined											

Table 108. eZ8 CPU Instruction Summary (Continued)

Assembly Mnemonic	Symbolic Operation	Address Mode		Opcode(s) (Hex)	Flags						Fetch Cycles	Instr. Cycles
		dst	src		C	Z	S	V	D	H		
CP dst, src	dst - src	r	r	A2	*	*	*	*	-	-	2	3
		r	lr	A3							2	4
		R	R	A4							3	3
		R	IR	A5							3	4
		R	IM	A6							3	3
		IR	IM	A7							3	4
CPC dst, src	dst - src - C	r	r	1F A2	*	*	*	*	-	-	3	3
		r	lr	1F A3							3	4
		R	R	1F A4							4	3
		R	IR	1F A5							4	4
		R	IM	1F A6							4	3
		IR	IM	1F A7							4	4
CPCX dst, src	dst - src - C	ER	ER	1F A8	*	*	*	*	-	-	5	3
		ER	IM	1F A9							5	3
CPX dst, src	dst - src	ER	ER	A8	*	*	*	*	-	-	4	3
		ER	IM	A9							4	3
DA dst	dst ← DA(dst)	R		40	*	*	*	X	-	-	2	2
		IR		41							2	3
DEC dst	dst ← dst - 1	R		30	-	*	*	*	-	-	2	2
		IR		31							2	3
DECW dst	dst ← dst - 1	RR		80	-	*	*	*	-	-	2	5
		IRR		81							2	6
DI	IRQCTL[7] ← 0			8F	-	-	-	-	-	-	1	2
DJNZ dst, RA	dst ← dst - 1 if dst ≠ 0 PC ← PC + X	r		0A-FA	-	-	-	-	-	-	2	3
EI	IRQCTL[7] ← 1			9F	-	-	-	-	-	-	1	2
HALT	HALT Mode			7F	-	-	-	-	-	-	1	2
Flags Notation:	* = Value is a function of the result of the operation. - = Unaffected X = Undefined				0 = Reset to 0 1 = Set to 1							

Table 108. eZ8 CPU Instruction Summary (Continued)

Assembly Mnemonic	Symbolic Operation	Address Mode		Opcode(s) (Hex)	Flags						Fetch Cycles	Instr. Cycles
		dst	src		C	Z	S	V	D	H		
INC dst	dst ← dst + 1	R		20	-	*	*	-	-	-	2	2
		IR		21							2	3
		r		0E-FE							1	2
INCW dst	dst ← dst + 1	RR		A0	-	*	*	*	-	-	2	5
		IRR		A1							2	6
IRET	FLAGS ← @SP SP ← SP + 1 PC ← @SP SP ← SP + 2 IRQCTL[7] ← 1			BF	*	*	*	*	*	*	1	5
JP dst	PC ← dst	DA		8D	-	-	-	-	-	-	3	2
		IRR		C4							2	3
JP cc, dst	if cc is true PC ← dst	DA		0D-FD	-	-	-	-	-	-	3	2
JR dst	PC ← PC + X	DA		8B	-	-	-	-	-	-	2	2
JR cc, dst	if cc is true PC ← PC + X	DA		0B-FB	-	-	-	-	-	-	2	2
LD dst, rc	dst ← src	r	IM	0C-FC	-	-	-	-	-	-	2	2
		r	X(r)	C7							3	3
		X(r)	r	D7							3	4
		r	lr	E3							2	3
		R	R	E4							3	2
		R	IR	E5							3	4
		R	IM	E6							3	2
		IR	IM	E7							3	3
		lr	r	F3							2	3
		IR	R	F5						3	3	

Flags Notation: \* = Value is a function of the result of the operation. 0 = Reset to 0  
 - = Unaffected 1 = Set to 1  
 X = Undefined



Table 108. eZ8 CPU Instruction Summary (Continued)

Assembly Mnemonic	Symbolic Operation	Address Mode		Opcode(s) (Hex)	Flags						Fetch Cycles	Instr. Cycles
		dst	src		C	Z	S	V	D	H		
LDC dst, src	dst ← src	r	lrr	C2	-	-	-	-	-	-	2	5
		lr	lrr	C5							2	9
		lrr	r	D2							2	5
LDCI dst, src	dst ← src r ← r + 1 rr ← rr + 1	lr	lrr	C3	-	-	-	-	-	-	2	9
		lrr	lr	D3							2	9
LDE dst, src	dst ← src	r	lrr	82	-	-	-	-	-	-	2	5
		lrr	r	92							2	5
LDEI dst, src	dst ← src r ← r + 1 rr ← rr + 1	lr	lrr	83	-	-	-	-	-	-	2	9
		lrr	lr	93							2	9
LDWX dst, src	dst ← src	ER	ER	1FE8	-	-	-	-	-	-	5	4
LDX dst, src	dst ← src	r	ER	84	-	-	-	-	-	-	3	2
		lr	ER	85							3	3
		R	IRR	86							3	4
		IR	IRR	87							3	5
		r	X(rr)	88							3	4
		X(rr)	r	89							3	4
		ER	r	94							3	2
		ER	lr	95							3	3
		IRR	R	96							3	4
		IRR	IR	97							3	5
		ER	ER	E8							4	2
		ER	IM	E9							4	2
LEA dst, X(src)	dst ← src + X	r	X(r)	98	-	-	-	-	-	-	3	3
		rr	X(rr)	99							3	5
MULT dst	dst[15:0] ← dst[15:8] * dst[7:0]	RR		F4	-	-	-	-	-	-	2	8
NOP	No operation			0F	-	-	-	-	-	-	1	2
Flags Notation:	* = Value is a function of the result of the operation. - = Unaffected X = Undefined				0 = Reset to 0 1 = Set to 1							

Table 108. eZ8 CPU Instruction Summary (Continued)

Assembly Mnemonic	Symbolic Operation	Address Mode		Opcode(s) (Hex)	Flags						Fetch Cycles	Instr. Cycles
		dst	src		C	Z	S	V	D	H		
OR dst, src	dst ← dst OR src	r	r	42	-	*	*	0	-	-	2	3
		r	lr	43							2	4
		R	R	44							3	3
		R	IR	45							3	4
		R	IM	46							3	3
		IR	IM	47							3	4
ORX dst, src	dst ← dst OR src	ER	ER	48	-	*	*	0	-	-	4	3
		ER	IM	49							4	3
POP dst	dst ← @SP SP ← SP + 1	R		50	-	-	-	-	-	-	2	2
		IR		51							2	3
POPX dst	dst ← @SP SP ← SP + 1	ER		D8	-	-	-	-	-	-	3	2
PUSH src	SP ← SP - 1 @SP ← src	R		70	-	-	-	-	-	-	2	2
		IR		71							2	3
		IM		IF70							3	2
PUSHX src	SP ← SP - 1 @SP ← src	ER		C8	-	-	-	-	-	-	3	2
RCF	C ← 0			CF	0	-	-	-	-	-	1	2
RET	PC ← @SP SP ← SP + 2			AF	-	-	-	-	-	-	1	4
RL dst		R		90	*	*	*	*	-	-	2	2
		IR		91							2	3
RLC dst		R		10	*	*	*	*	-	-	2	2
		IR		11							2	3
Flags Notation:	* = Value is a function of the result of the operation.		0 = Reset to 0									
	- = Unaffected											
	X = Undefined											

Table 108. eZ8 CPU Instruction Summary (Continued)

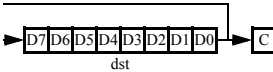
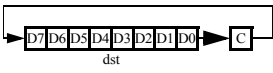

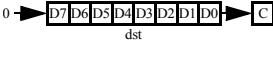
Assembly Mnemonic	Symbolic Operation	Address Mode		Opcode(s) (Hex)	Flags						Fetch Cycles	Instr. Cycles
		dst	src		C	Z	S	V	D	H		
RR dst		R		E0	*	*	*	*	-	-	2	2
		IR		E1							2	3
RRC dst		R		C0	*	*	*	*	-	-	2	2
		IR		C1							2	3
SBC dst, src	$dst \leftarrow dst - src - C$	r	r	32	*	*	*	*	1	*	2	3
		r	lr	33							2	4
		R	R	34							3	3
		R	IR	35							3	4
		R	IM	36							3	3
		IR	IM	37							3	4
SBCX dst, src	$dst \leftarrow dst - src - C$	ER	ER	38	*	*	*	*	1	*	4	3
		ER	IM	39							4	3
SCF	$C \leftarrow 1$			DF	1	-	-	-	-	-	1	2
SRA dst		R		D0	*	*	*	0	-	-	2	2
		IR		D1							2	3
SRL dst		R		1F C0	*	*	0	*	-	-	3	2
		IR		1F C1							3	3
SRP src	$RP \leftarrow src$		IM	01	-	-	-	-	-	-	2	2
STOP	STOP Mode			6F	-	-	-	-	-	-	1	2
Flags Notation:	* = Value is a function of the result of the operation.				0 = Reset to 0							
	- = Unaffected				1 = Set to 1							
	X = Undefined											

Table 108. eZ8 CPU Instruction Summary (Continued)

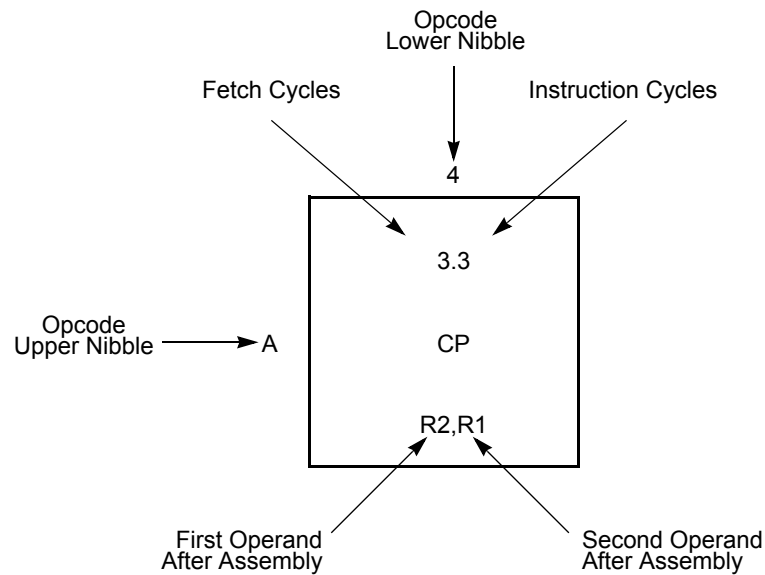
Assembly Mnemonic	Symbolic Operation	Address Mode		Opcode(s) (Hex)	Flags						Fetch Cycles	Instr. Cycles
		dst	src		C	Z	S	V	D	H		
SUB dst, src	dst ← dst – src	r	r	22	*	*	*	*	1	*	2	3
		r	lr	23							2	4
		R	R	24							3	3
		R	IR	25							3	4
		R	IM	26							3	3
		IR	IM	27							3	4
SUBX dst, src	dst ← dst – src	ER	ER	28	*	*	*	*	1	*	4	3
		ER	IM	29							4	3
SWAP dst	dst[7:4] ↔ dst[3:0]	R		F0	X	*	*	X	–	–	2	2
		IR		F1							2	3
TCM dst, src	(NOT dst) AND src	r	r	62	–	*	*	0	–	–	2	3
		r	lr	63							2	4
		R	R	64							3	3
		R	IR	65							3	4
		R	IM	66							3	3
		IR	IM	67							3	4
TCMX dst, src	(NOT dst) AND src	ER	ER	68	–	*	*	0	–	–	4	3
		ER	IM	69							4	3
TM dst, src	dst AND src	r	r	72	–	*	*	0	–	–	2	3
		r	lr	73							2	4
		R	R	74							3	3
		R	IR	75							3	4
		R	IM	76							3	3
		IR	IM	77							3	4
TMX dst, src	dst AND src	ER	ER	78	–	*	*	0	–	–	4	3
		ER	IM	79							4	3
Flags Notation:	* = Value is a function of the result of the operation.		0 = Reset to 0									
	– = Unaffected		1 = Set to 1									
	X = Undefined											

Table 108. eZ8 CPU Instruction Summary (Continued)

Assembly Mnemonic	Symbolic Operation	Address Mode		Opcode(s) (Hex)	Flags						Fetch Cycles	Instr. Cycles
		dst	src		C	Z	S	V	D	H		
TRAP Vector	SP ← SP – 2 @SP ← PC SP ← SP – 1 @SP ← FLAGS PC ← @Vector		Vector	F2	–	–	–	–	–	–	2	6
WDT				5F	–	–	–	–	–	–	1	2
XOR dst, src	dst ← dst XOR src	r	r	B2	–	*	*	0	–	–	2	3
		r	lr	B3							2	4
		R	R	B4							3	3
		R	IR	B5							3	4
		R	IM	B6							3	3
		IR	IM	B7							3	4
XORX dst, src	dst ← dst XOR src	ER	ER	B8	–	*	*	0	–	–	4	3
		ER	IM	B9							4	3
Flags Notation:	* = Value is a function of the result of the operation.				0 = Reset to 0							
	– = Unaffected				1 = Set to 1							
	X = Undefined											

# Opcode Maps

A description of the opcode map data and the abbreviations are provided in [Figure 28](#). [Figure 29](#) and [Figure 30](#) on page 175 provide information about each of the eZ8 CPU instructions. [Table 109](#) on page 173 lists opcode map abbreviations.



**Figure 28. Opcode Map Cell Description**

**Table 109. Opcode Map Abbreviations**

<b>Abbreviation</b>	<b>Description</b>	<b>Abbreviation</b>	<b>Description</b>
b	Bit position	IRR	Indirect Register Pair
cc	Condition code	p	Polarity (0 or 1)
X	8-bit signed index or displacement	r	4-bit Working Register
DA	Destination address	R	8-bit register
ER	Extended Addressing register	r1, R1, lr1, lrr1, IR1, rr1, RR1, IRR1, ER1	Destination address
IM	Immediate data value	r2, R2, lr2, lrr2, IR2, rr2, RR2, IRR2, ER2	Source address
lr	Indirect Working Register	RA	Relative
IR	Indirect register	rr	Working Register Pair
lrr	Indirect Working Register Pair	RR	Register Pair

		Lower Nibble (Hex)																
		0	1	2	3	4	5	6	7	8	9	A	B	C	D	E	F	
Upper Nibble (Hex)	0	1.1 <b>BRK</b>	2.2 <b>SRP</b> IM	2.3 <b>ADD</b> r1,r2	2.4 <b>ADD</b> r1,lr2	3.3 <b>ADD</b> R2,R1	3.4 <b>ADD</b> IR2,R1	3.3 <b>ADD</b> R1,IM	3.4 <b>ADD</b> IR1,IM	4.3 <b>ADDX</b> ER2,ER1	4.3 <b>ADDX</b> IM,ER1	2.3 <b>DJNZ</b> r1,X	2.2 <b>JR</b> cc,X	2.2 <b>LD</b> r1,IM	3.2 <b>JP</b> cc,DA	1.2 <b>INC</b> r1	1.2 <b>NOP</b>	
	1	2.2 <b>RLC</b> R1	2.3 <b>RLC</b> IR1	2.3 <b>ADC</b> r1,r2	2.4 <b>ADC</b> r1,lr2	3.3 <b>ADC</b> R2,R1	3.4 <b>ADC</b> IR2,R1	3.3 <b>ADC</b> R1,IM	3.4 <b>ADC</b> IR1,IM	4.3 <b>ADCX</b> ER2,ER1	4.3 <b>ADCX</b> IM,ER1							See 2nd Opcode Map
	2	2.2 <b>INC</b> R1	2.3 <b>INC</b> IR1	2.3 <b>SUB</b> r1,r2	2.4 <b>SUB</b> r1,lr2	3.3 <b>SUB</b> R2,R1	3.4 <b>SUB</b> IR2,R1	3.3 <b>SUB</b> R1,IM	3.4 <b>SUB</b> IR1,IM	4.3 <b>SUBX</b> ER2,ER1	4.3 <b>SUBX</b> IM,ER1							
	3	2.2 <b>DEC</b> R1	2.3 <b>DEC</b> IR1	2.3 <b>SBC</b> r1,r2	2.4 <b>SBC</b> r1,lr2	3.3 <b>SBC</b> R2,R1	3.4 <b>SBC</b> IR2,R1	3.3 <b>SBC</b> R1,IM	3.4 <b>SBC</b> IR1,IM	4.3 <b>SBCX</b> ER2,ER1	4.3 <b>SBCX</b> IM,ER1							
	4	2.2 <b>DA</b> R1	2.3 <b>DA</b> IR1	2.3 <b>OR</b> r1,r2	2.4 <b>OR</b> r1,lr2	3.3 <b>OR</b> R2,R1	3.4 <b>OR</b> IR2,R1	3.3 <b>OR</b> R1,IM	3.4 <b>OR</b> IR1,IM	4.3 <b>ORX</b> ER2,ER1	4.3 <b>ORX</b> IM,ER1							
	5	2.2 <b>POP</b> R1	2.3 <b>POP</b> IR1	2.3 <b>AND</b> r1,r2	2.4 <b>AND</b> r1,lr2	3.3 <b>AND</b> R2,R1	3.4 <b>AND</b> IR2,R1	3.3 <b>AND</b> R1,IM	3.4 <b>AND</b> IR1,IM	4.3 <b>ANDX</b> ER2,ER1	4.3 <b>ANDX</b> IM,ER1							1.2 <b>WDT</b>
	6	2.2 <b>COM</b> R1	2.3 <b>COM</b> IR1	2.3 <b>TCM</b> r1,r2	2.4 <b>TCM</b> r1,lr2	3.3 <b>TCM</b> R2,R1	3.4 <b>TCM</b> IR2,R1	3.3 <b>TCM</b> R1,IM	3.4 <b>TCM</b> IR1,IM	4.3 <b>TCMX</b> ER2,ER1	4.3 <b>TCMX</b> IM,ER1							1.2 <b>STOP</b>
	7	2.2 <b>PUSH</b> R2	2.3 <b>PUSH</b> IR2	2.3 <b>TM</b> r1,r2	2.4 <b>TM</b> r1,lr2	3.3 <b>TM</b> R2,R1	3.4 <b>TM</b> IR2,R1	3.3 <b>TM</b> R1,IM	3.4 <b>TM</b> IR1,IM	4.3 <b>TMX</b> ER2,ER1	4.3 <b>TMX</b> IM,ER1							1.2 <b>HALT</b>
	8	2.5 <b>DECW</b> RR1	2.6 <b>DECW</b> IRR1	2.5 <b>LDE</b> r1,lr2	2.9 <b>LDEI</b> lr1,lr2	3.2 <b>LDX</b> r1,ER2	3.3 <b>LDX</b> lr1,ER2	3.4 <b>LDX</b> IRR2,R1	3.5 <b>LDX</b> IRR2,IR1	3.4 <b>LDX</b> r1,rr2,X	3.4 <b>LDX</b> rr1,rr2,X							1.2 <b>DI</b>
	9	2.2 <b>RL</b> R1	2.3 <b>RL</b> IR1	2.5 <b>LDE</b> r2,lr1	2.9 <b>LDEI</b> lr2,lr1	3.2 <b>LDX</b> r2,ER1	3.3 <b>LDX</b> lr2,ER1	3.4 <b>LDX</b> R2,IRR1	3.5 <b>LDX</b> IR2,IRR1	3.3 <b>LEA</b> r1,r2,X	3.5 <b>LEA</b> rr1,rr2,X							1.2 <b>EI</b>
	A	2.5 <b>INCW</b> RR1	2.6 <b>INCW</b> IRR1	2.3 <b>CP</b> r1,r2	2.4 <b>CP</b> r1,lr2	3.3 <b>CP</b> R2,R1	3.4 <b>CP</b> IR2,R1	3.3 <b>CP</b> R1,IM	3.4 <b>CP</b> IR1,IM	4.3 <b>CPX</b> ER2,ER1	4.3 <b>CPX</b> IM,ER1							1.4 <b>RET</b>
	B	2.2 <b>CLR</b> R1	2.3 <b>CLR</b> IR1	2.3 <b>XOR</b> r1,r2	2.4 <b>XOR</b> r1,lr2	3.3 <b>XOR</b> R2,R1	3.4 <b>XOR</b> IR2,R1	3.3 <b>XOR</b> R1,IM	3.4 <b>XOR</b> IR1,IM	4.3 <b>XORX</b> ER2,ER1	4.3 <b>XORX</b> IM,ER1							1.5 <b>IRET</b>
	C	2.2 <b>RRC</b> R1	2.3 <b>RRC</b> IR1	2.5 <b>LDC</b> r1,lr2	2.9 <b>LDCI</b> lr1,lr2	2.3 <b>JP</b> IRR1	2.9 <b>LDC</b> lr1,lr2		3.4 <b>LD</b> r1,r2,X	3.2 <b>PUSHX</b> ER2								1.2 <b>RCF</b>
	D	2.2 <b>SRA</b> R1	2.3 <b>SRA</b> IR1	2.5 <b>LDC</b> r2,lr1	2.9 <b>LDCI</b> lr2,lr1	2.6 <b>CALL</b> IRR1	2.2 <b>BSWAP</b> R1	3.3 <b>CALL</b> DA	3.4 <b>LD</b> r2,r1,X	3.2 <b>POPX</b> ER1								1.2 <b>SCF</b>
	E	2.2 <b>RR</b> R1	2.3 <b>RR</b> IR1	2.2 <b>BIT</b> p,b,r1	2.3 <b>LD</b> r1,lr2	3.2 <b>LD</b> R2,R1	3.3 <b>LD</b> IR2,R1	3.2 <b>LD</b> R1,IM	3.3 <b>LD</b> IR1,IM	4.2 <b>LDX</b> ER2,ER1	4.2 <b>LDX</b> IM,ER1							1.2 <b>CCF</b>
	F	2.2 <b>SWAP</b> R1	2.3 <b>SWAP</b> IR1	2.6 <b>TRAP</b> Vector	2.3 <b>LD</b> lr1,r2	2.8 <b>MULT</b> RR1	3.3 <b>LD</b> R2,IR1	3.3 <b>BTJ</b> p,b,r1,X	3.4 <b>BTJ</b> p,b,lr1,X									

Figure 29. First Opcode Map



	Lower Nibble (Hex)															
	0	1	2	3	4	5	6	7	8	9	A	B	C	D	E	F
0																
1																
2																
3																
4																
5																
6																
7	3.2 PUSH IM															
8																
9																
A			3.3 CPC r1,r2	3.4 CPC r1,lr2	4.3 CPC R2,R1	4.4 CPC IR2,R1	4.3 CPC R1,IM	4.4 CPC IR1,IM	5.3 CPCX ER2,ER1	5.3 CPCX IM,ER1						
B																
C	3.2 SRL R1	3.3 SRL IR1														
D																
E									5, 4 LDWX ER2,ER1							
F																

Figure 30. Second Opcode Map after 1FH



# Electrical Characteristics

The data in this chapter is pre-qualification and pre-characterization and is subject to change. Additional electrical characteristics may be found in the individual chapters.

## Absolute Maximum Ratings

Stresses greater than those listed in [Table 110](#) may cause permanent damage to the device. These ratings are stress ratings only. Operation of the device at any condition outside those indicated in the operational sections of these specifications is not implied. Exposure to absolute maximum rating conditions for extended periods may affect device reliability. For improved reliability, tie unused inputs to one of the supply voltages ( $V_{DD}$  or  $V_{SS}$ ).

**Table 110. Absolute Maximum Ratings**

Parameter	Minimum	Maximum	Units	Notes
Ambient temperature under bias	0	+105	°C	
Storage temperature	-65	+150	°C	
Voltage on any pin with respect to $V_{SS}$	-0.3	+5.5	V	
Voltage on $V_{DD}$ pin with respect to $V_{SS}$	-0.3	+3.6	V	
Maximum current on input and/or inactive output pin	-5	+5	μA	
Maximum output current from active output pin	-25	+25	mA	
<b>20-pin Packages Maximum Ratings at 0°C to 70°C</b>				
Total power dissipation		430	mW	
Maximum current into $V_{DD}$ or out of $V_{SS}$		120	mA	
<b>28-pin Packages Maximum Ratings at 0°C to 70°C</b>				
Total power dissipation		450	mW	
Maximum current into $V_{DD}$ or out of $V_{SS}$		125	mA	

## DC Characteristics

Table 111 lists the DC characteristics of the Z8 Encore!® F0830 Series products. All voltages are referenced to  $V_{SS}$ , the primary system ground.

Table 111. DC Characteristics

Symbol	Parameter	$T_A = 0\text{ }^{\circ}\text{C to }+70\text{ }^{\circ}\text{C}$			$T_A = -40\text{ }^{\circ}\text{C to }+105\text{ }^{\circ}\text{C}$			Units	Conditions
		Min	Typ	Max	Min	Typ	Max		
$V_{DD}$	Supply Voltage				2.7	–	3.6	V	power supply noise not to exceed 100 mV Peak to Peak
$V_{IL1}$	Low Level Input Voltage				-0.3	–	$0.3 \cdot V_{DD}$	V	For all input pins except RESET.
$V_{IL2}$	Low Level Input Voltage				-0.3	–	0.8	V	For $\overline{\text{RESET}}$ .
$V_{IH1}$	High Level Input Voltage				2.0	–	5.5	V	For all input pins without analog or oscillator function.
$V_{IH2}$	High Level Input Voltage				2.0	–	$V_{DD} + 0.3$	V	For those pins with analog or oscillator function.
$V_{OL1}$	Low Level Output Voltage				–	–	0.4	V	$I_{OL} = 2\text{ mA}$ ; $V_{DD} = 3.0\text{ V}$ High Output Drive disabled.
$V_{OH1}$	High Level Output Voltage				2.4	–	–	V	$I_{OH} = -2\text{ mA}$ ; $V_{DD} = 3.0\text{ V}$ High Output Drive disabled.
$V_{OL2}$	Low Level Output Voltage				–	–	0.6	V	$I_{OL} = 20\text{ mA}$ ; $V_{DD} = 3.3\text{ V}$ High Output Drive enabled.
$V_{OH2}$	High Level Output Voltage				2.4	–	–	V	$I_{OH} = -20\text{ mA}$ ; $V_{DD} = 3.3\text{ V}$ High Output Drive enabled.
$I_{IL}$	Input Leakage Current				-5	–	+5	$\mu\text{A}$	$V_{DD} = 3.6\text{ V}$ ; $V_{IN} = V_{DD}$ or $V_{SS}^1$
$I_{TL}$	Tristate Leakage Current				-5	–	+5	$\mu\text{A}$	$V_{DD} = 3.6\text{ V}$

Table 111. DC Characteristics (Continued)

Symbol	Parameter	T <sub>A</sub> = 0 °C to +70 °C			T <sub>A</sub> = -40 °C to +105 °C			Units	Conditions
		Min	Typ	Max	Min	Typ	Max		
I <sub>LED</sub>	Controlled Current Drive				1.5	3	4.5	mA	See GPIO section on LED description
					2.8	7	10.5	mA	
					7.8	13	19.5	mA	
					12	20	30	mA	
C <sub>PAD</sub>	GPIO Port Pad Capacitance				–	8.0 <sup>2</sup>	–	pF	TBD
C <sub>XIN</sub>	XIN Pad Capacitance				–	8.0 <sup>2</sup>	–	pF	TBD
C <sub>XOUT</sub>	XOUT Pad Capacitance				–	9.5 <sup>2</sup>	–	pF	TBD
I <sub>PU</sub>	Weak Pull-up Current				50	120	220	μA	V <sub>DD</sub> = 2.7 - 3.6 V
ICCH <sup>3</sup>	Supply Current in HALT Mode					TBD		mA	TBD
ICCS	Supply Current in STOP Mode			2			8	μA	Without Watchdog Timer running
<b>Notes:</b> 1. This condition excludes all pins that have on-chip pull-ups, when driven Low. 2. These values are provided for design guidance only and are not tested in production. 3. See <a href="#">Figure 31</a> for HALT mode current									

Figure 31 displays the typical current consumption while operating at 25 °C, 3.3 V, versus the system clock frequency in HALT mode.

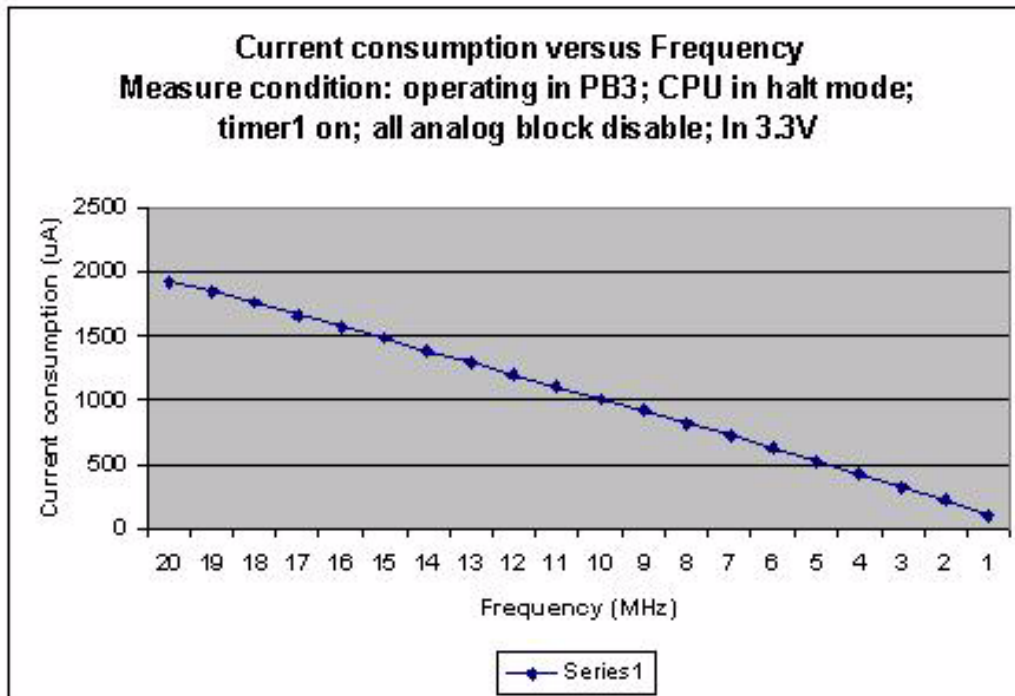


Figure 31. ICC Versus System Clock Frequency (HALT mode)

Figure 32 displays the typical current consumption versus the system clock frequency in NORMAL mode.

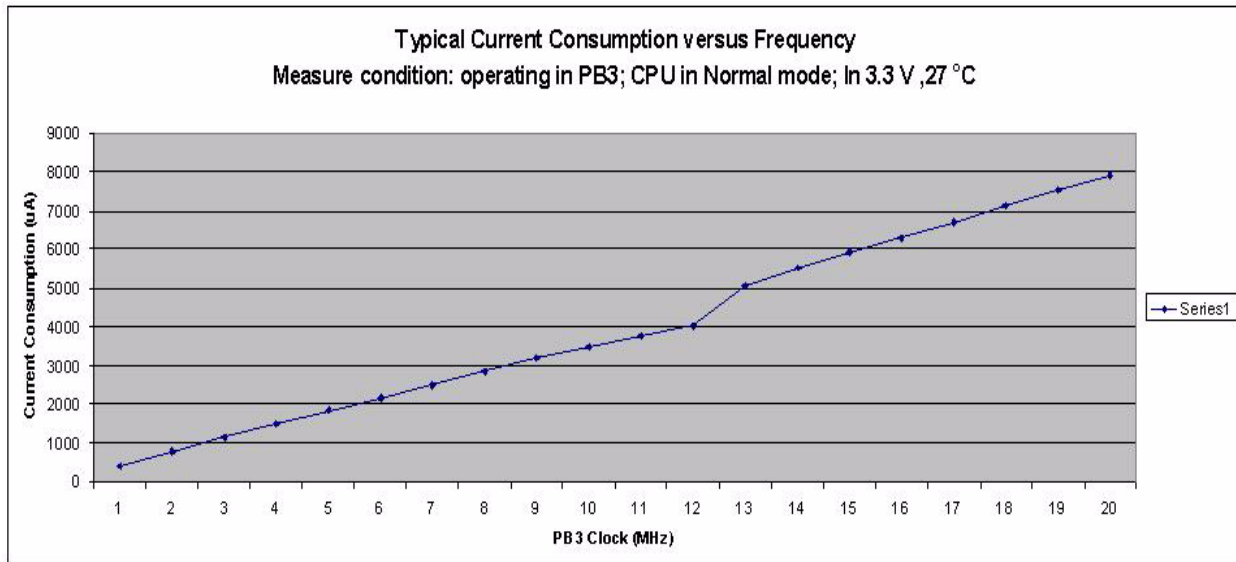


Figure 32. ICC Versus System Clock Frequency (NORMAL mode)

## AC Characteristics

The section provides information about the AC characteristics and timing. All AC timing information assumes a standard load of 50 pF on all outputs.

Table 112. AC Characteristics

Symbol	Parameter	$V_{DD} = 2.7 \text{ to } 3.6 \text{ V}$ $T_A = 0 \text{ }^\circ\text{C to } +70 \text{ }^\circ\text{C}$		$V_{DD} = 2.7 \text{ to } 3.6 \text{ V}$ $T_A = -40 \text{ }^\circ\text{C to } +105 \text{ }^\circ\text{C}$		Units	Conditions
		Min	Max	Min	Max		
F <sub>SYSCLK</sub>	System Clock Frequency			–	20.0	MHz	Read-only from Flash memory
				0.032768	20.0	MHz	Program or erasure of the Flash memory
F <sub>XTAL</sub>	Crystal Oscillator Frequency			1.0	20.0	MHz	System clock frequencies below the crystal oscillator minimum require an external clock driver

Table 112. AC Characteristics (Continued)

Symbol	Parameter	$V_{DD} = 2.7 \text{ to } 3.6 \text{ V}$ $T_A = 0 \text{ }^\circ\text{C to } +70 \text{ }^\circ\text{C}$		$V_{DD} = 2.7 \text{ to } 3.6 \text{ V}$ $T_A = -40 \text{ }^\circ\text{C to } +105 \text{ }^\circ\text{C}$		Units	Conditions
		Min	Max	Min	Max		
F <sub>IPO</sub>	Internal Precision Oscillator Frequency			0.032768	5.5296	MHz	Oscillator is <b>not</b> adjustable over the entire range. User may select Min or Max value only.
F <sub>IPO</sub>	Internal Precision Oscillator Frequency			5.31	5.75	MHz	High speed with trimming
F <sub>IPO</sub>	Internal Precision Oscillator Frequency			4.15	6.91	MHz	High speed without trimming
F <sub>IPO</sub>	Internal Precision Oscillator Frequency			30.7	33.3	KHz	Low speed with trimming
F <sub>IPO</sub>	Internal Precision Oscillator Frequency			24	40	KHz	Low speed without trimming
T <sub>XIN</sub>	System Clock Period			50	–	ns	T <sub>CLK</sub> = 1/F <sub>sysclk</sub>
T <sub>XINH</sub>	System Clock High Time			20	30	ns	T <sub>CLK</sub> = 50 ns
T <sub>XINL</sub>	System Clock Low Time			20	30	ns	T <sub>CLK</sub> = 50 ns
T <sub>XINR</sub>	System Clock Rise Time			–	3	ns	T <sub>CLK</sub> = 50 ns
T <sub>XINF</sub>	System Clock Fall Time			–	3	ns	T <sub>CLK</sub> = 50 ns
T <sub>XTALSET</sub>	Crystal Oscillator Setup Time			–	30,000	cycle	Crystal oscillator cycles
T <sub>IPOSET</sub>	Internal Precision Oscillator Startup Time			–	25	μs	Startup time after enable
T <sub>WDTSET</sub>	WDT Startup Time			–	50	μs	Startup time after resetn



## On-Chip Peripheral AC and DC Electrical Characteristics

Table 113. Power-On Reset and Voltage Brownout Electrical Characteristics and Timing

Symbol	Parameter	T <sub>A</sub> = 0°C to +70°C			T <sub>A</sub> = -40°C to +105°C			Units	Conditions
		Min	Typ	Max	Min	Typ <sup>1</sup>	Max		
V <sub>POR</sub>	Power-On Reset Voltage Threshold				2.20	2.45	2.70	V	V <sub>DD</sub> = V <sub>POR</sub> (default VBO trim)
V <sub>VBO</sub>	Voltage Brownout Reset Voltage Threshold				2.15	2.40	2.65	V	V <sub>DD</sub> = V <sub>VBO</sub> (default VBO trim)
	V <sub>POR</sub> to V <sub>VBO</sub> hysteresis					50	75	mV	
	Starting V <sub>DD</sub> voltage to ensure valid Power-On Reset.				–	V <sub>SS</sub>	–	V	
T <sub>ANA</sub>	Power-on reset Analog Delay				–	50	–	μs	V <sub>DD</sub> > V <sub>POR</sub> ; T <sub>POR</sub> Digital Reset delay follows T <sub>ANA</sub>
T <sub>POR</sub>	Power-On Reset Digital Delay				TBD	13	TBD	μs	66 Internal Precision Oscillator cycles
T <sub>POR</sub>	Power-On Reset Digital Delay				TBD	8	TBD	ms	5000 Internal Precision Oscillator cycles
T <sub>SMR</sub>	Stop Mode Recovery with crystal oscillator disabled				TBD	13	TBD	μs	66 Internal Precision Oscillator cycles

<sup>1</sup>Data in the typical column is from characterization at 3.3 V and 0 °C. These values are provided for design guidance only and are not tested in production.

**Table 113. Power-On Reset and Voltage Brownout Electrical Characteristics and Timing  
(Continued)**

Symbol	Parameter	T <sub>A</sub> = 0°C to +70°C			T <sub>A</sub> = -40°C to +105°C			Units	Conditions
		Min	Typ	Max	Min	Typ <sup>1</sup>	Max		
T <sub>SMR</sub>	Stop Mode Recovery with crystal oscillator enabled				TBD	8	TBD	ms	5000 Internal Precision Oscillator cycles
T <sub>VBO</sub>	Voltage Brownout Pulse Rejection Period				–	10	–	μs	V <sub>DD</sub> < V <sub>VBO</sub> to generate a Reset.
T <sub>RAMP</sub>	Time for V <sub>DD</sub> to transition from V <sub>SS</sub> to V <sub>POR</sub> to ensure valid Reset				0.10	–	100	ms	

<sup>1</sup>Data in the typical column is from characterization at 3.3 V and 0 °C. These values are provided for design guidance only and are not tested in production.

**Table 114. Flash Memory Electrical Characteristics and Timing**

Parameter	V <sub>DD</sub> = 2.7 to 3.6 V T <sub>A</sub> = 0 °C to +70 °C			V <sub>DD</sub> = 2.7 to 3.6 V T <sub>A</sub> = -40 °C to +105 °C			Units	Notes
	Min	Typ	Max	Min	Typ	Max		
Flash Byte Read Time				50	–	–	ns	
Flash Byte Program Time				20	–	–	µs	
Flash Page Erase Time				50	–	–	ms	
Flash Mass Erase Time				50	–	–	ms	
Writes to Single Address Before Next Erase				–	–	2		
Flash Row Program Time				–	–	8	ms	Cumulative program time for single row cannot exceed limit before next erase. This parameter is only an issue when bypassing the Flash Controller.
Data Retention				10	–	–	years	25 °C
Endurance				10,000	–	–	cycles	Program/erase cycles

**Table 115. Watchdog Timer Electrical Characteristics and Timing**

Symbol	Parameter	V <sub>DD</sub> = 2.7 to 3.6 V T <sub>A</sub> = 0 °C to +70 °C			V <sub>DD</sub> = 2.7 - 3.6 V T <sub>A</sub> = -40 °C to +105 °C			Units	Conditions
		Min	Typ	Max	Min	Typ	Max		
	Active power consumption					2	3	μA	
F <sub>WDT</sub>	WDT oscillator frequency				2.5	5	7.5	kHz	

**Table 116. Non-Volatile Data Storage**

Parameter	V <sub>DD</sub> = 2.7 to 3.6 V T <sub>A</sub> = 0 °C to +70 °C			V <sub>DD</sub> = 2.7 to 3.6 V T <sub>A</sub> = -40 °C to +105 °C			Units	Notes
	Min	Typ	Max	Min	Typ	Max		
NVDS Byte Read Time				71	–	258	μs	With system clock at 20 MHz
NVDS Byte Program Time				126	–	136	μs	With system clock at 20 MHz
Data Retention				10	–	–	years	25 °C
Endurance				100,000	–	–	cycles	Cumulative write cycles for entire memory

► **Note:** For every 200 writes, a maintenance operation is necessary. In this rare occurrence, the write takes up to 58 ms to complete.

Table 117. Analog-to-Digital Converter Electrical Characteristics and Timing

Symbol	Parameter	$V_{DD} = 2.7 \text{ to } 3.6 \text{ V}$ $T_A = 0 \text{ }^\circ\text{C to } +70 \text{ }^\circ\text{C}$			$V_{DD} = 2.7 \text{ to } 3.6 \text{ V}$ $T_A = -40 \text{ }^\circ\text{C to } +105 \text{ }^\circ\text{C}$			Units	Conditions
		Min	Typ	Max	Min	Typ	Max		
	Resolution				–	10	–	bits	
	Differential Nonlinearity (DNL) <sup>1</sup>				-1	–	+4	LSB	
	Integral Nonlinearity (INL) <sup>1</sup>				-5	–	+5	LSB	
	Gain Error					15		LSB	
	Offset Error				-15	–	15	LSB	PDIP package
						-9	–	9	LSB
Vref	On chip reference				1.9	2.0	2.1	V	
	Active Power Consumption					4		mA	
	Power Down Current						1	$\mu\text{A}$	
Zin	Input Impedance				10			$\text{M}\Omega$	
Vin	Input Voltage Range				0 0		2.0 0.9*VDD	V	Internal reference external reference
	Conversion Time				11.9			$\mu\text{s}$	20 MHz (ADC Clock)
	Input Bandwidth					500		KHz	
	Wake Up Time					0.02 10		mS	internal reference external reference
	Input Clock Duty				45	50	55		
	Maximum Input Clock Frequency						20	MHz	

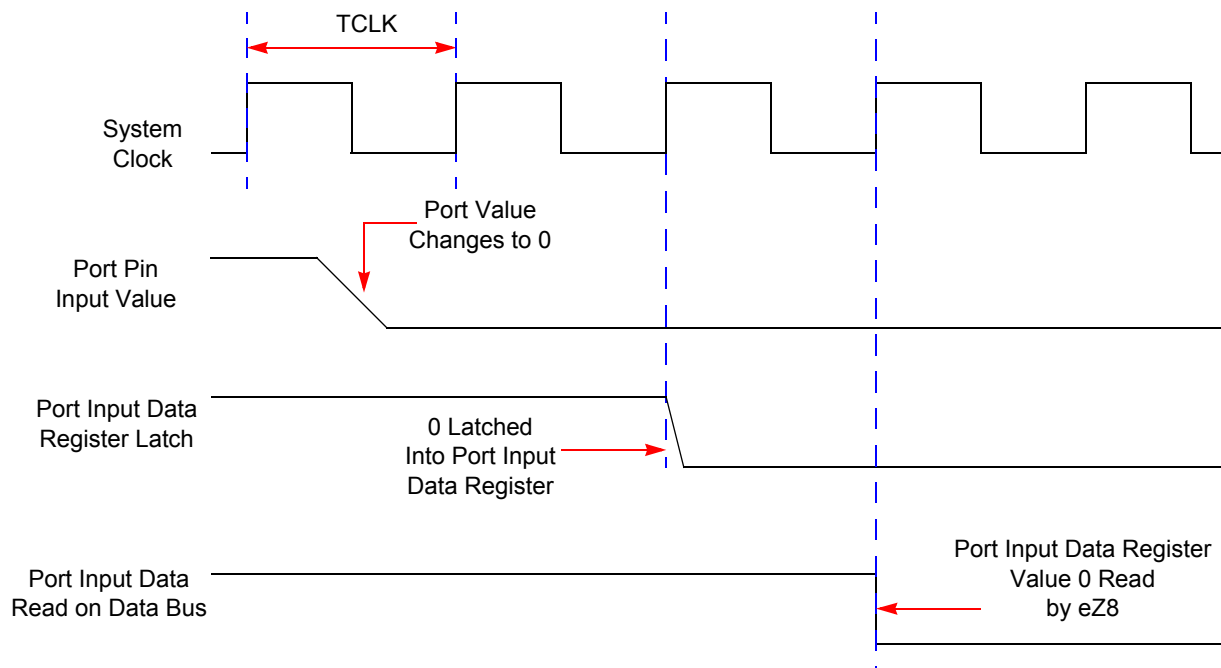
<sup>1</sup> When the input voltage is lower than 20 mV, the conversion error is out of spec.

**Table 118. Comparator Electrical Characteristics**

Symbol	Parameter	V <sub>DD</sub> = 2.7 to 3.6V T <sub>A</sub> = 0°C to +70°C			V <sub>DD</sub> = 2.7 to 3.6V T <sub>A</sub> = -40°C to +105°C			Units	Conditions
		Min	Typ	Max	Min	Typ	Max		
V <sub>OS</sub>	Input DC Offset					5		mV	
V <sub>CREF</sub>	Programmable Internal Reference Voltage Range				0		1.8	V	User-programmable in 200 mV step
V <sub>CREF</sub>	Programmable internal reference voltage				0.92	1.0	1.08	V	Default (CMP0[REFLV L]=5H)
T <sub>PROP</sub>	Propagation delay					100		ns	
V <sub>HYS</sub>	Input hysteresis					8		mV	

### General Purpose I/O Port Input Data Sample Timing

Figure 33 displays timing of the GPIO port input sampling. The input value on a GPIO port pin is sampled on the rising edge of the system clock. The port value is available to the eZ8 CPU on the second rising clock edge following the change of the port value.



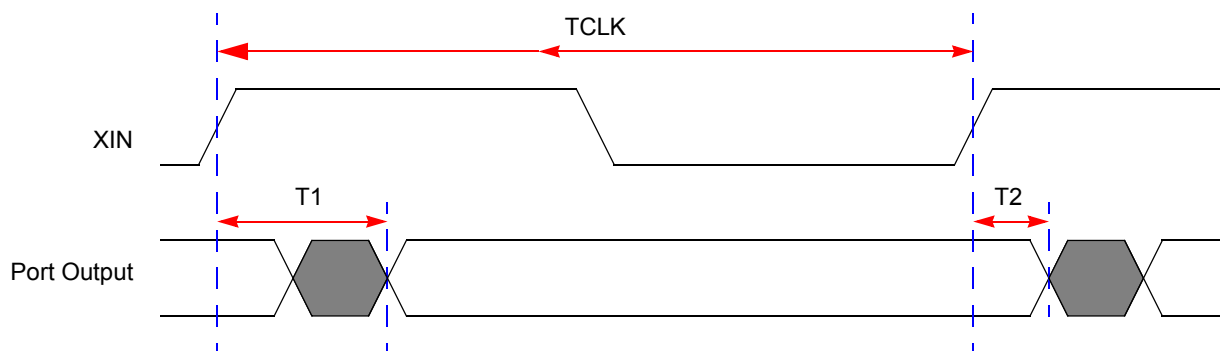
**Figure 33. Port Input Sample Timing**

**Table 119. GPIO Port Input Timing**

Parameter	Abbreviation	Delay (ns)	
		Minimum	Maximum
$T_{S\_PORT}$	Port Input Transition to XIN Rise Setup Time (Not pictured)	5	–
$T_{H\_PORT}$	XIN Rise to Port Input Transition Hold Time (Not pictured)	0	–
$T_{SMR}$	GPIO Port Pin Pulse Width to ensure Stop Mode Recovery (for GPIO Port Pins enabled as SMR sources)	1 $\mu$ s	

### General Purpose I/O Port Output Timing

Figure 34 and Table 120 provide timing information for GPIO port pins.



**Figure 34. GPIO Port Output Timing**

**Table 120. GPIO Port Output Timing**

Parameter	Abbreviation	Delay (ns)	
		Minimum	Maximum
<b>GPIO Port pins</b>			
$T_1$	XIN Rise to Port Output Valid Delay	–	15
$T_2$	XIN Rise to Port Output Hold Time	2	–

## On-Chip Debugger Timing

Figure 35 and Table 121 provide timing information for the DBG pin. The DBG pin timing specifications assume a 4 ns maximum rise and fall time.

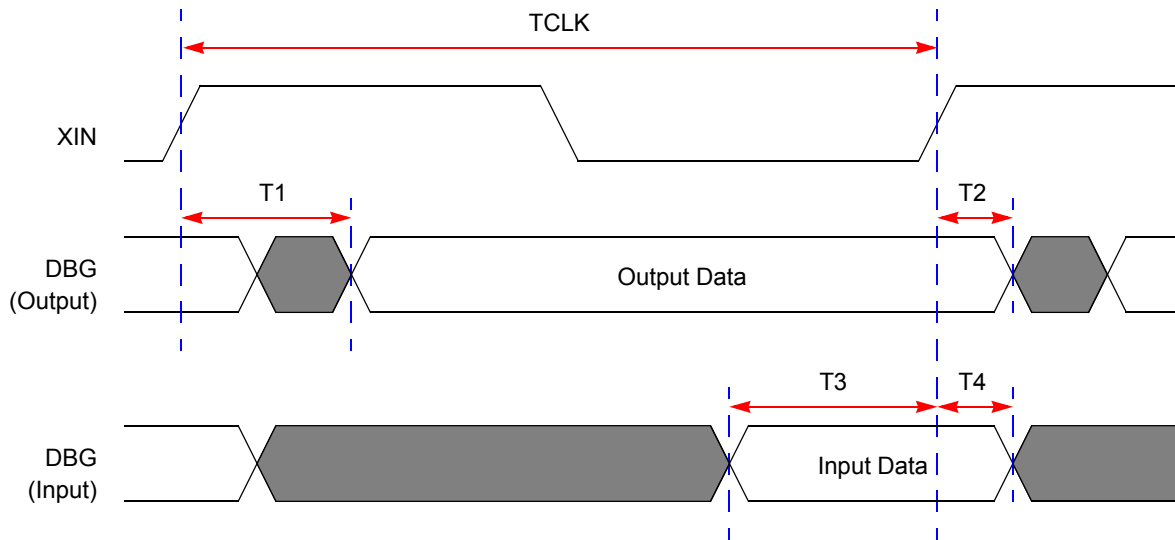


Figure 35. On-Chip Debugger Timing

Table 121. On-Chip Debugger Timing

Parameter	Abbreviation	Delay (ns)	
		Minimum	Maximum
<b>DBG</b>			
T <sub>1</sub>	XIN Rise to DBG Valid Delay	–	15
T <sub>2</sub>	XIN Rise to DBG Output Hold Time	2	–
T <sub>3</sub>	DBG to XIN Rise Input Setup Time	5	–
T <sub>4</sub>	DBG to XIN Rise Input Hold Time	5	–



**Table 122. Power Consumption Reference Table (subject to change after characterization)**

Category	Block	Power Consumption	
		Typical	Maximum
<b>Logic</b>	CPU/Peripherals @20 MHz	5 mA	
<b>Flash</b>	Flash@20 MHz		12 mA
	ADC@20 MHz	4 mA	4.5 mA
	IPO	350 $\mu$ A	400 $\mu$ A
	Comparator@10 MHz	330 $\mu$ A	450 $\mu$ A
<b>Analog</b>	POR & Vbo	120 $\mu$ A	150 $\mu$ A
	WDT OSC	2 $\mu$ A	3 $\mu$ A
	OSC@20 MHz	600 $\mu$ A	900 $\mu$ A
	Clock Filter	120 $\mu$ A	150 $\mu$ A

## 12K Flash Read Current

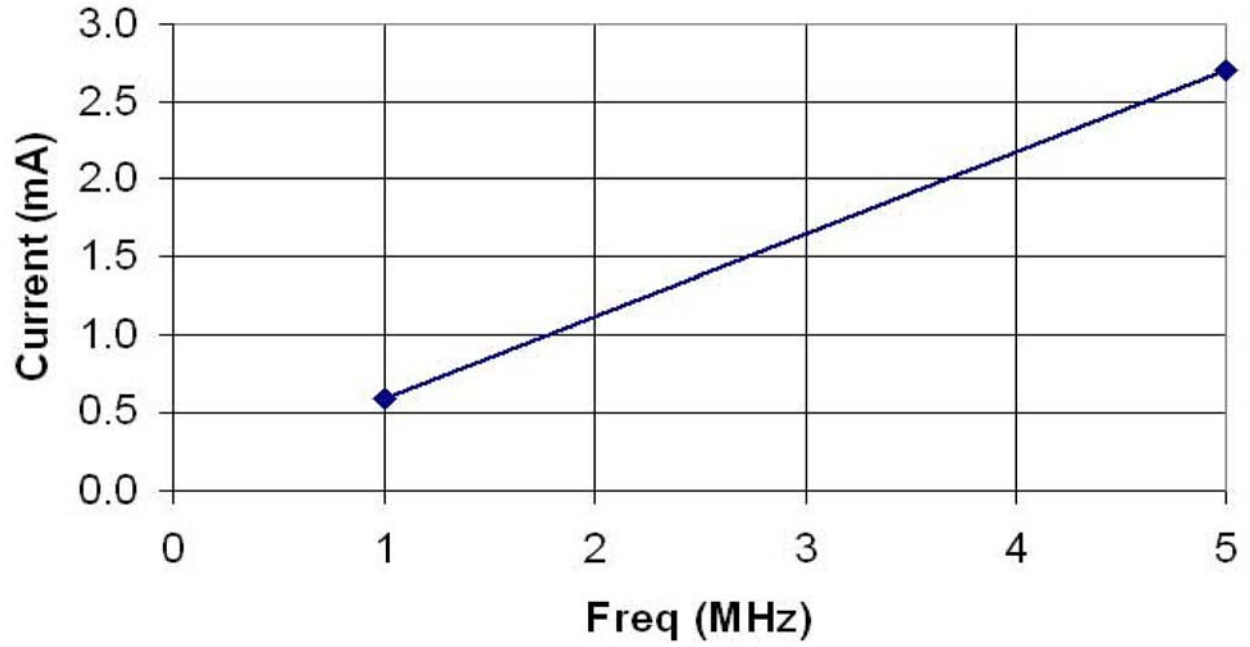


Figure 36. Flash Current Diagram

# Packaging

Figure 37 displays the 20-pin Quad Flat No-Lead (QFN) package available for the Z8 Encore!® F0830 Series devices.

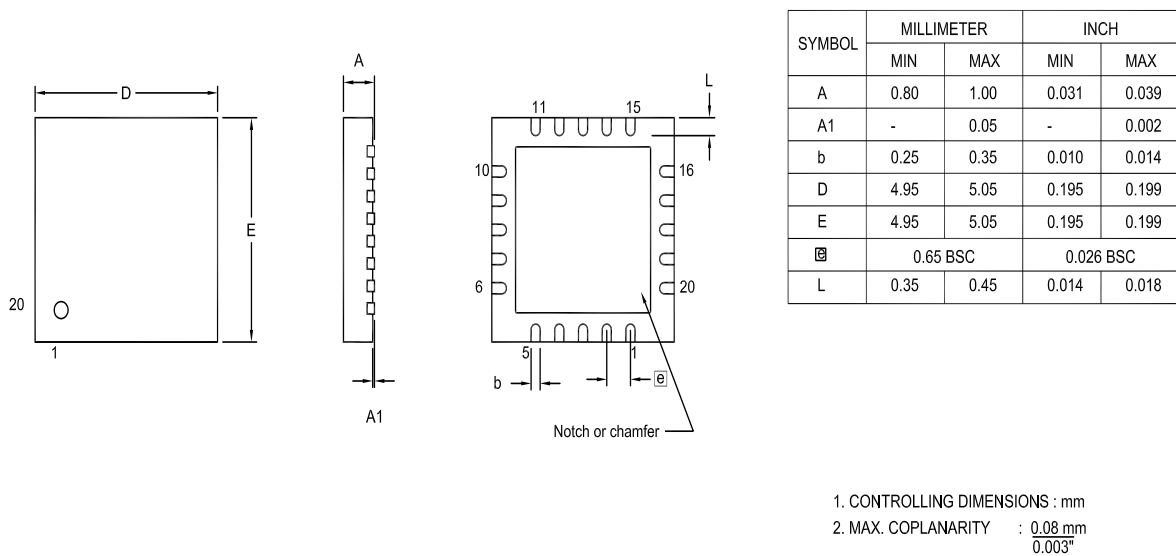


Figure 37. 20-Pin Quad Flat No-Lead (QFN) Package

Figure 38 displays the 20-pin Small Outline Integrated Circuit (SOIC) package available for the Z8 Encore!® F0830 Series devices.

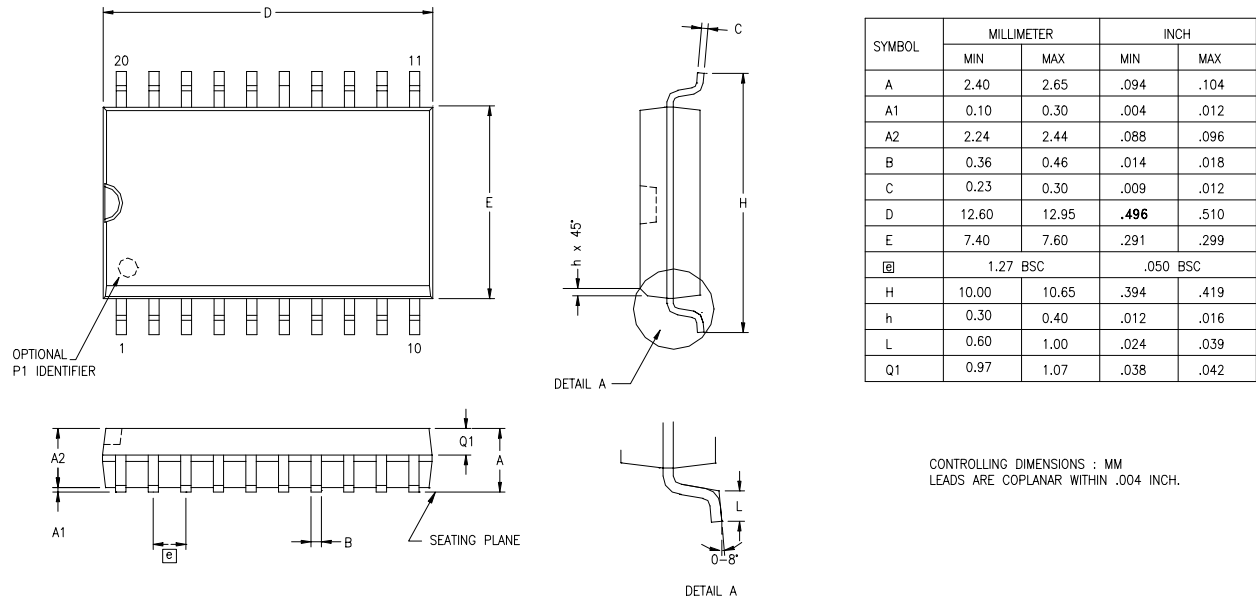
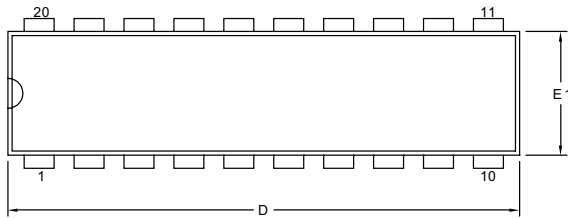
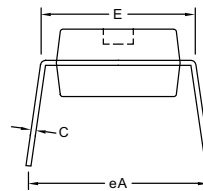
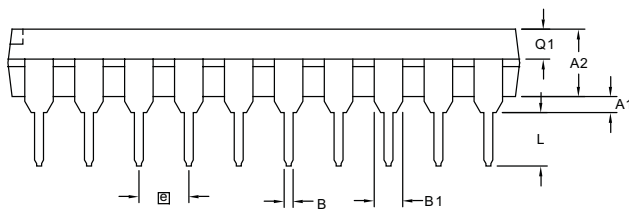


Figure 38. 20-Pin Small Outline Integrated Circuit (SOIC) Package

Figure 39 displays the 20-pin Plastic Dual Inline Package (PDIP) available for the Z8 Encore!® F0830 Series devices.



SYMBOL	MILLIMETER		INCH	
	MIN	MAX	MIN	MAX
A1	0.38	0.81	0.015	0.032
A2	3.25	3.68	0.128	0.145
B	0.41	0.51	0.016	0.020
B1	1.27	1.78	0.050	0.070
C	0.20	0.30	0.008	0.012
D	25.40	26.92	1.000	1.060
E	7.49	8.26	0.295	0.325
E1	6.10	6.65	0.240	0.262
Ⓜ	2.54 BSC		0.100 BSC	
eA	7.87	9.14	0.310	0.360
L	3.18	3.43	0.125	0.135
Q1	1.42	1.65	0.056	0.065



CONTROLLING DIMENSIONS : INCH

Figure 39. 20-Pin Plastic Dual Inline Package (PDIP)

Figure 40 displays the 20-pin Shrink Small Outline Plastic (SSOP) package available for the Z8 Encore!® F0830 Series devices.

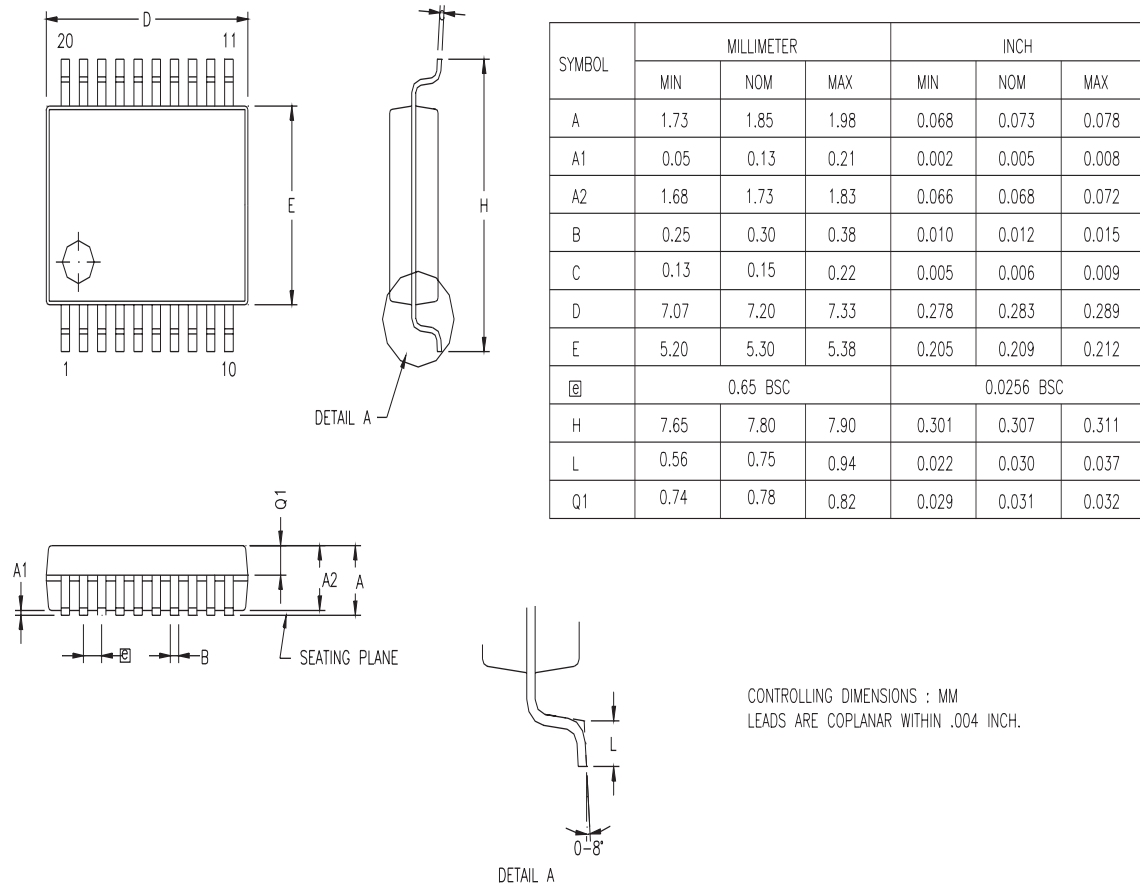


Figure 40. 20-Pin Shrink Small Outline Plastic (SSOP) Package

Figure 41 displays the 28-pin Quad Flat No-Lead (QFN) package available for the Z8 Encore!® F0830 Series devices.

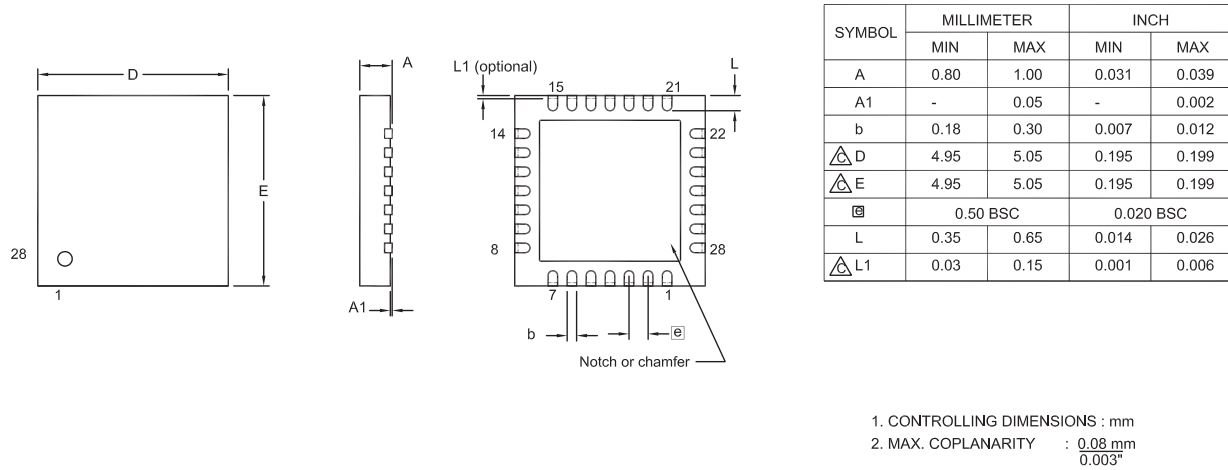


Figure 41. 28-Pin Quad Flat No-Lead (QFN) Package

Figure 42 displays the 28-pin Small Outline Integrated Circuit (SOIC) package available in the Z8 Encore!® F0830 Series devices.

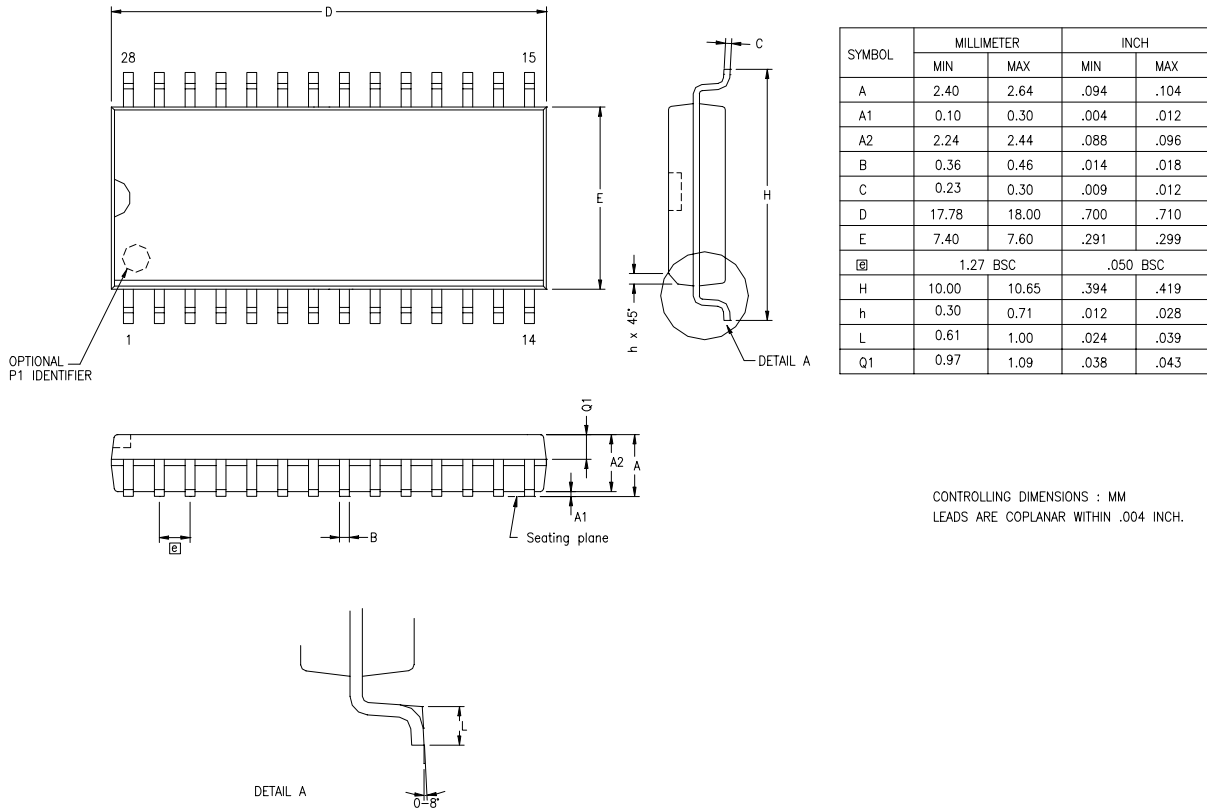
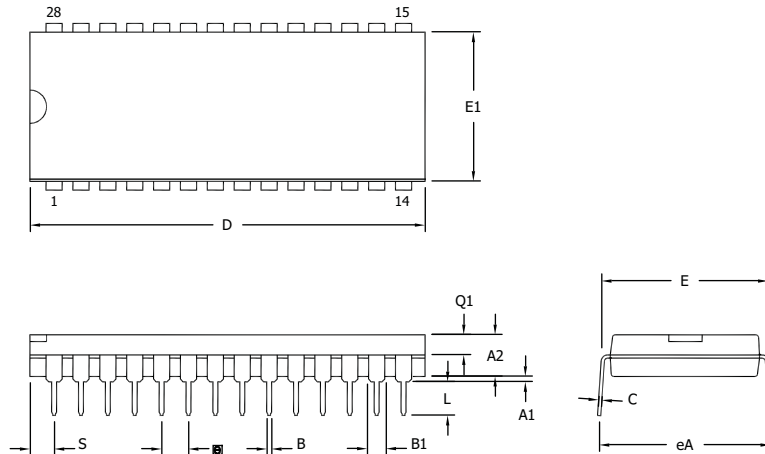


Figure 42. 28-Pin Small Outline Integrated Circuit (SOIC) Package



Figure 43 displays the 28-pin Plastic Dual Inline Package (PDIP) available for the Z8 Encore!® F0830 Series devices.



SYMBOL	OPT #	MILLIMETER		INCH	
		MIN	MAX	MIN	MAX
A1		0.38	1.02	.015	.040
A2		3.18	4.19	.125	.165
B		0.38	0.53	.015	.021
B1	01	1.40	1.65	.055	.065
	02	1.14	1.40	.045	.055
C		0.23	0.38	.009	.015
D	01	36.58	37.34	1.440	1.470
	02	35.31	35.94	1.390	1.415
E		15.24	15.75	.600	.620
E1	01	13.59	14.10	.535	.555
	02	12.83	13.08	.505	.515
e		2.54 TYP		.100 BSC	
eA		15.49	16.76	.610	.660
L		3.05	3.81	.120	.150
Q1	01	1.40	1.91	.055	.075
	02	1.40	1.88	.055	.074
S	01	1.52	2.29	.060	.090
	02	1.02	1.52	.040	.060

CONTROLLING DIMENSIONS : INCH

OPTION TABLE	
OPTION #	PACKAGE
01	STANDARD
02	IDF

Note: ZILOG supplies both options for production. Component layout PCB design should cover bigger option 01.

Figure 43. 28-Pin Plastic Dual Inline Package (PDIP)

Figure 44 displays the 28-pin Shrink Small Outline Plastic (SSOP) package available for the Z8 Encore!® F0830 Series devices.

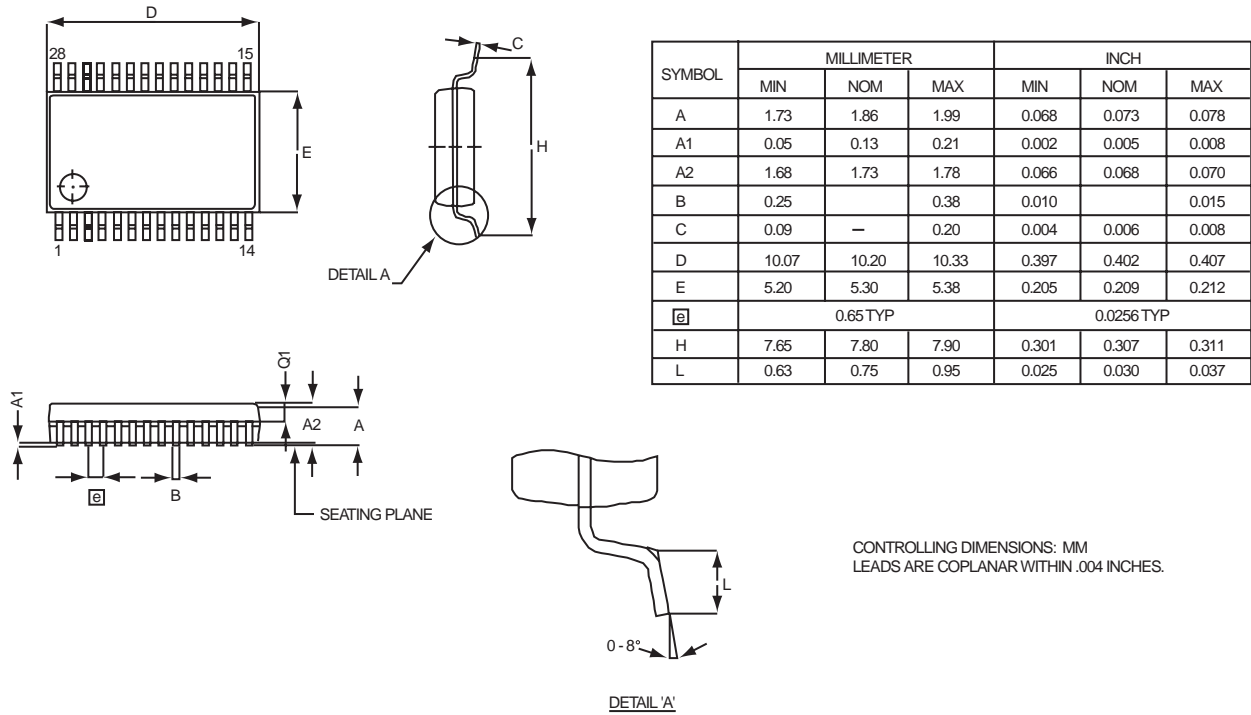


Figure 44. 28-Pin Shrink Small Outline Plastic (SSOP) Package

## Ordering Information

Order the Z8 Encore!® F0830 Series from Zilog®, providing the following part numbers. For more information regarding ordering, contact your local Zilog sales office. The Zilog website at [www.zilog.com](http://www.zilog.com) lists all regional offices and provides additional information on Z8 Encore! product.

Part Number	Flash	RAM	NVDS	ADC Channels	Description
<b>Z8 Encore!® F0830 with 12 KB Flash</b>					
<b>Standard Temperature: 0 °C to 70 °C</b>					
Z8F1232SH020SG	12 KB	256	No	7	SOIC 20-pin
Z8F1232HH020SG	12 KB	256	No	7	SSOP 20-pin
Z8F1232PH020SG	12 KB	256	No	7	PDIP 20-pin
Z8F1232QH020SG	12 KB	256	No	7	QFN 20-pin
Z8F1233SH020SG	12 KB	256	No	0	SOIC 20-pin
Z8F1233HH020SG	12 KB	256	No	0	SSOP 20-pin
Z8F1233PH020SG	12 KB	256	No	0	PDIP 20-pin
Z8F1233QH020SG	12 KB	256	No	0	QFN 20-pin
Z8F1232SJ020SG	12 KB	256	No	8	SOIC 28-pin
Z8F1232HJ020SG	12 KB	256	No	8	SSOP 28-pin
Z8F1232PJ020SG	12 KB	256	No	8	PDIP 28-pin
Z8F1232QJ020SG	12 KB	256	No	8	QFN 28-pin
Z8F1233SJ020SG	12 KB	256	No	0	SOIC 28-pin
Z8F1233HJ020SG	12 KB	256	No	0	SSOP 28-pin
Z8F1233PJ020SG	12 KB	256	No	0	PDIP 28-pin
Z8F1233QJ020SG	12 KB	256	No	0	QFN 28-pin
<b>Extended Temperature: -40 °C to 105 °C</b>					
Z8F1232SH020EG	12 KB	256	No	7	SOIC 20-pin
Z8F1232HH020EG	12 KB	256	No	7	SSOP 20-pin
Z8F1232PH020EG	12 KB	256	No	7	PDIP 20-pin
Z8F1232QH020EG	12 KB	256	No	7	QFN 20-pin
Z8F1233SH020EG	12 KB	256	No	0	SOIC 20-pin
Z8F1233HH020EG	12 KB	256	No	0	SSOP 20-pin
Z8F1233PH020EG	12 KB	256	No	0	PDIP 20-pin
Z8F1233QH020EG	12 KB	256	No	0	QFN 20-pin
Z8F1232SJ020EG	12 KB	256	No	8	SOIC 28-pin
Z8F1232HJ020EG	12 KB	256	No	8	SSOP 28-pin
Z8F1232PJ020EG	12 KB	256	No	8	PDIP 28-pin

Part Number	Flash	RAM	NVDS	ADC Channels	Description
Z8F1232QJ020EG	12 KB	256	No	8	QFN 28-pin
Z8F1233SJ020EG	12 KB	256	No	0	SOIC 28-pin
Z8F1233HJ020EG	12 KB	256	No	0	SSOP 28-pin
Z8F1233PJ020EG	12 KB	256	No	0	PDIP 28-pin
Z8F1233QJ020EG	12 KB	256	No	0	QFN 28-pin
<b>Z8 Encore!® F0830 with 8 KB Flash</b>					
<b>Standard Temperature: 0 °C to 70 °C</b>					
Z8F0830SH020SG	8 KB	256	Yes	7	SOIC 20-pin
Z8F0830HH020SG	8 KB	256	Yes	7	SSOP 20-pin
Z8F0830PH020SG	8 KB	256	Yes	7	PDIP 20-pin
Z8F0830QH020SG	8 KB	256	Yes	7	QFN 20-pin
Z8F0831SH020SG	8 KB	256	Yes	0	SOIC 20-pin
Z8F0831HH020SG	8 KB	256	Yes	0	SSOP 20-pin
Z8F0831PH020SG	8 KB	256	Yes	0	PDIP 20-pin
Z8F0831QH020SG	8 KB	256	Yes	0	QFN 20-pin
Z8F0830SJ020SG	8 KB	256	Yes	8	SOIC 28-pin
Z8F0830HJ020SG	8 KB	256	Yes	8	SSOP 28-pin
Z8F0830PJ020SG	8 KB	256	Yes	8	PDIP 28-pin
Z8F0830QJ020SG	8 KB	256	Yes	8	QFN 28-pin
Z8F0831SJ020SG	8 KB	256	Yes	0	SOIC 28-pin
Z8F0831HJ020SG	8 KB	256	Yes	0	SSOP 28-pin
Z8F0831PJ020SG	8 KB	256	Yes	0	PDIP 28-pin
Z8F0831QJ020SG	8 KB	256	Yes	0	QFN 28-pin
<b>Extended Temperature: -40 °C to 105 °C</b>					
Z8F0830SH020EG	8 KB	256	Yes	7	SOIC 20-pin
Z8F0830HH020EG	8 KB	256	Yes	7	SSOP 20-pin
Z8F0830PH020EG	8 KB	256	Yes	7	PDIP 20-pin
Z8F0830QH020EG	8 KB	256	Yes	7	QFN 20-pin
Z8F0831SH020EG	8 KB	256	Yes	0	SOIC 20-pin
Z8F0831HH020EG	8 KB	256	Yes	0	SSOP 20-pin
Z8F0831PH020EG	8 KB	256	Yes	0	PDIP 20-pin
Z8F0831QH020EG	8 KB	256	Yes	0	QFN 20-pin
Z8F0830SJ020EG	8 KB	256	Yes	8	SOIC 28-pin
Z8F0830HJ020EG	8 KB	256	Yes	8	SSOP 28-pin
Z8F0830PJ020EG	8 KB	256	Yes	8	PDIP 28-pin
Z8F0830QJ020EG	8 KB	256	Yes	8	QFN 28-pin
Z8F0831SJ020EG	8 KB	256	Yes	0	SOIC 28-pin
Z8F0831HJ020EG	8 KB	256	Yes	0	SSOP 28-pin

Part Number	Flash	RAM	NVDS	ADC Channels	Description
Z8F0831PJ020EG	8 KB	256	Yes	0	PDIP 28-pin
Z8F0831QJ020EG	8 KB	256	Yes	0	QFN 28-pin
<b>Z8 Encore!® F0830 with 4 KB Flash</b>					
<b>Standard Temperature: 0 °C to 70 °C</b>					
Z8F0430SH020SG	4 KB	256	Yes	7	SOIC 20-pin
Z8F0430HH020SG	4 KB	256	Yes	7	SSOP 20-pin
Z8F0430PH020SG	4 KB	256	Yes	7	PDIP 20-pin
Z8F0430QH020SG	4 KB	256	Yes	7	QFN 20-pin
Z8F0431SH020SG	4 KB	256	Yes	0	SOIC 20-pin
Z8F0431HH020SG	4 KB	256	Yes	0	SSOP 20-pin
Z8F0431PH020SG	4 KB	256	Yes	0	PDIP 20-pin
Z8F0431QH020SG	4 KB	256	Yes	0	QFN 20-pin
Z8F0430SJ020SG	4 KB	256	Yes	8	SOIC 28-pin
Z8F0430HJ020SG	4 KB	256	Yes	8	SSOP 28-pin
Z8F0430PJ020SG	4 KB	256	Yes	8	PDIP 28-pin
Z8F0430QJ020SG	4 KB	256	Yes	8	QFN 28-pin
Z8F0431SJ020SG	4 KB	256	Yes	0	SOIC 28-pin
Z8F0431HJ020SG	4 KB	256	Yes	0	SSOP 28-pin
Z8F0431PJ020SG	4 KB	256	Yes	0	PDIP 28-pin
Z8F0431QJ020SG	4 KB	256	Yes	0	QFN 28-pin
<b>Extended Temperature: -40 °C to 105 °C</b>					
Z8F0430SH020EG	4 KB	256	Yes	7	SOIC 20-pin
Z8F0430HH020EG	4 KB	256	Yes	7	SSOP 20-pin
Z8F0430PH020EG	4 KB	256	Yes	7	PDIP 20-pin
Z8F0430QH020EG	4 KB	256	Yes	7	QFN 20-pin
Z8F0431SH020EG	4 KB	256	Yes	0	SOIC 20-pin
Z8F0431HH020EG	4 KB	256	Yes	0	SSOP 20-pin
Z8F0431PH020EG	4 KB	256	Yes	0	PDIP 20-pin
Z8F0431QH020EG	4 KB	256	Yes	0	QFN 20-pin
Z8F0430SJ020EG	4 KB	256	Yes	8	SOIC 28-pin
Z8F0430HJ020EG	4 KB	256	Yes	8	SSOP 28-pin
Z8F0430PJ020EG	4 KB	256	Yes	8	PDIP 28-pin
Z8F0430QJ020EG	4 KB	256	Yes	8	QFN 28-pin
Z8F0431SJ020EG	4 KB	256	Yes	0	SOIC 28-pin
Z8F0431HJ020EG	4 KB	256	Yes	0	SSOP 28-pin
Z8F0431PJ020EG	4 KB	256	Yes	0	PDIP 28-pin
Z8F0431QJ020EG	4 KB	256	Yes	0	QFN 28-pin

Part Number	Flash	RAM	NVDS	ADC Channels	Description
<b>Z8 Encore!® F0830 with 2 KB Flash</b>					
<b>Standard Temperature: 0 °C to 70 °C</b>					
Z8F0230SH020SG	2 KB	256	Yes	7	SOIC 20-pin
Z8F0230HH020SG	2 KB	256	Yes	7	SSOP 20-pin
Z8F0230PH020SG	2 KB	256	Yes	7	PDIP 20-pin
Z8F0230QH020SG	2 KB	256	Yes	7	QFN 20-pin
Z8F0231SH020SG	2 KB	256	Yes	0	SOIC 20-pin
Z8F0231HH020SG	2 KB	256	Yes	0	SSOP 20-pin
Z8F0231PH020SG	2 KB	256	Yes	0	PDIP 20-pin
Z8F0231QH020SG	2 KB	256	Yes	0	QFN 20-pin
Z8F0230SJ020SG	2 KB	256	Yes	8	SOIC 28-pin
Z8F0230HJ020SG	2 KB	256	Yes	8	SSOP 28-pin
Z8F0230PJ020SG	2 KB	256	Yes	8	PDIP 28-pin
Z8F0230QJ020SG	2 KB	256	Yes	8	QFN 28-pin
Z8F0231SJ020SG	2 KB	256	Yes	0	SOIC 28-pin
Z8F0231HJ020SG	2 KB	256	Yes	0	SSOP 28-pin
Z8F0231PJ020SG	2 KB	256	Yes	0	PDIP 28-pin
Z8F0231QJ020SG	2 KB	256	Yes	0	QFN 28-pin
<b>Extended Temperature: -40 °C to 105 °C</b>					
Z8F0230SH020EG	2 KB	256	Yes	7	SOIC 20-pin
Z8F0230HH020EG	2 KB	256	Yes	7	SSOP 20-pin
Z8F0230PH020EG	2 KB	256	Yes	7	PDIP 20-pin
Z8F0230QH020EG	2 KB	256	Yes	7	QFN 20-pin
Z8F0231SH020EG	2 KB	256	Yes	0	SOIC 20-pin
Z8F0231HH020EG	2 KB	256	Yes	0	SSOP 20-pin
Z8F0231PH020EG	2 KB	256	Yes	0	PDIP 20-pin
Z8F0231QH020EG	2 KB	256	Yes	0	QFN 20-pin
Z8F0230SJ020EG	2 KB	256	Yes	8	SOIC 28-pin
Z8F0230HJ020EG	2 KB	256	Yes	8	SSOP 28-pin
Z8F0230PJ020EG	2 KB	256	Yes	8	PDIP 28-pin
Z8F0230QJ020EG	2 KB	256	Yes	8	QFN 28-pin
Z8F0231SJ020EG	2 KB	256	Yes	0	SOIC 28-pin
Z8F0231HJ020EG	2 KB	256	Yes	0	SSOP 28-pin
Z8F0231PJ020EG	2 KB	256	Yes	0	PDIP 28-pin
Z8F0231QJ020EG	2 KB	256	Yes	0	QFN 28-pin

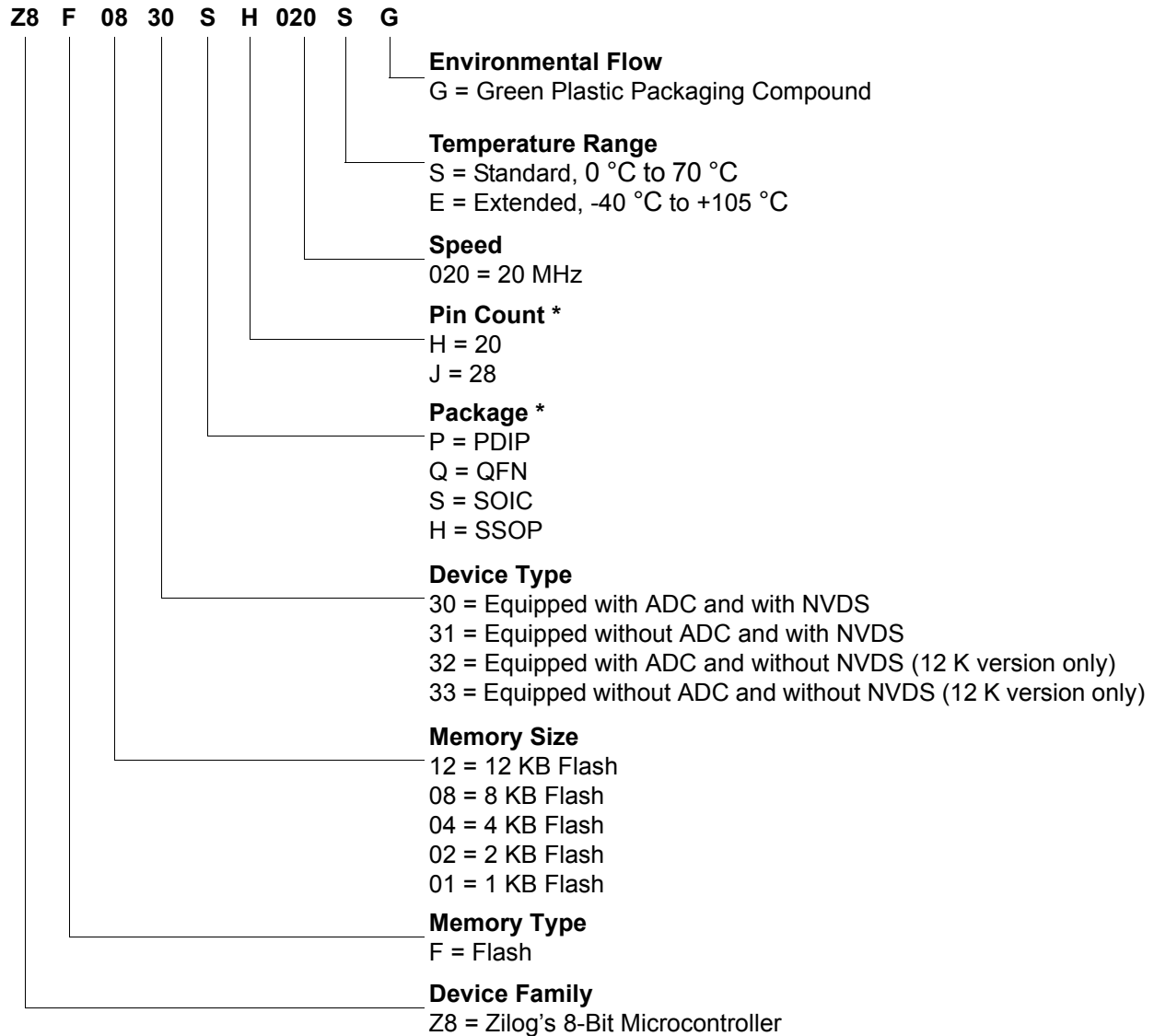
Part Number	Flash	RAM	NVDS	ADC Channels	Description
<b>Z8 Encore!® F0830 with 1KB Flash</b>					
<b>Standard Temperature: 0 °C to 70 °C</b>					
Z8F0130SH020SG	1 KB	256	Yes	7	SOIC 20-pin
Z8F0130HH020SG	1 KB	256	Yes	7	SSOP 20-pin
Z8F0130PH020SG	1 KB	256	Yes	7	PDIP 20-pin
Z8F0130QH020SG	1 KB	256	Yes	7	QFN 20-pin
Z8F0131SH020SG	1 KB	256	Yes	0	SOIC 20-pin
Z8F0131HH020SG	1 KB	256	Yes	0	SSOP 20-pin
Z8F0131PH020SG	1 KB	256	Yes	0	PDIP 20-pin
Z8F0131QH020SG	1 KB	256	Yes	0	QFN 20-pin
Z8F0130SJ020SG	1 KB	256	Yes	8	SOIC 28-pin
Z8F0130HJ020SG	1 KB	256	Yes	8	SSOP 28-pin
Z8F0130PJ020SG	1 KB	256	Yes	8	PDIP 28-pin
Z8F0130QJ020SG	1 KB	256	Yes	8	QFN 28-pin
Z8F0131SJ020SG	1 KB	256	Yes	0	SOIC 28-pin
Z8F0131HJ020SG	1 KB	256	Yes	0	SSOP 28-pin
Z8F0131PJ020SG	1 KB	256	Yes	0	PDIP 28-pin
Z8F0131QJ020SG	1 KB	256	Yes	0	QFN 28-pin
<b>Extended Temperature: -40 °C to 105 °C</b>					
Z8F0130SH020EG	1 KB	256	Yes	7	SOIC 20-pin
Z8F0130HH020EG	1 KB	256	Yes	7	SSOP 20-pin
Z8F0130PH020EG	1 KB	256	Yes	7	PDIP 20-pin
Z8F0130QH020EG	1 KB	256	Yes	7	QFN 20-pin
Z8F0131SH020EG	1 KB	256	Yes	0	SOIC 20-pin
Z8F0131HH020EG	1 KB	256	Yes	0	SSOP 20-pin
Z8F0131PH020EG	1 KB	256	Yes	0	PDIP 20-pin
Z8F0131QH020EG	1 KB	256	Yes	0	QFN 20-pin
Z8F0130SJ020EG	1 KB	256	Yes	8	SOIC 28-pin
Z8F0130HJ020EG	1 KB	256	Yes	8	SSOP 28-pin
Z8F0130PJ020EG	1 KB	256	Yes	8	PDIP 28-pin
Z8F0130QJ020EG	1 KB	256	Yes	8	QFN 28-pin
Z8F0131SJ020EG	1 KB	256	Yes	0	SOIC 28-pin
Z8F0131HJ020EG	1 KB	256	Yes	0	SSOP 28-pin
Z8F0131PJ020EG	1 KB	256	Yes	0	PDIP 28-pin
Z8F0131QJ020EG	1 KB	256	Yes	0	QFN 28-pin

Part Number	Flash	RAM	NVDS	ADC Channels	Description
ZUSBSC00100ZACG					USB Smart Cable Accessory Kit
ZUSBOPTSC01ZACG					Opto-Isolated USB Smart Cable Accessory Kit

Visit Zilog's web site at <http://www.zilog.com/> for ordering information on Z8 Encore!® F0830 series development tools and accessories.



## Part Number Suffix Designations



\* See [Table 123](#) for the combination of package and pin count.

**Table 123. Package and Pin Count Description**

		Pin Count	
		20	28
Package	PDIP	√	√
	QFN	√	√
	SOIC	√	√
	SSOP	√	√



# Appendix A—Register Tables

## General Purpose RAM

Hex Addresses: 000-0FF

See [Register File](#) on page 15

Hex Addresses: 100-EFF

Reserved

## Timer 0

Hex Address: F00

Table 124. Timer 0 High Byte Register (T0H)

BITS	7	6	5	4	3	2	1	0
FIELD	TH							
RESET	0	0	0	0	0	0	0	0
R/W	R/W	R/W	R/W	R/W	R/W	R/W	R/W	R/W
ADDR	F00H							

Hex Address: F01

Table 125. Timer 0 Low Byte Register (T0L)

BITS	7	6	5	4	3	2	1	0
FIELD	TL							
RESET	0	0	0	0	0	0	0	1
R/W	R/W	R/W	R/W	R/W	R/W	R/W	R/W	R/W
ADDR	F01H							

**Hex Address: F02**

**Table 126. Timer 0 Reload High Byte Register (T0RH)**

BITS	7	6	5	4	3	2	1	0
FIELD	TRH							
RESET	1	1	1	1	1	1	1	1
R/W	R/W	R/W	R/W	R/W	R/W	R/W	R/W	R/W
ADDR	F02H							

**Hex Address: F03**

**Table 127. Timer 0 Reload Low Byte Register (T0RL)**

BITS	7	6	5	4	3	2	1	0
FIELD	TRL							
RESET	1	1	1	1	1	1	1	1
R/W	R/W	R/W	R/W	R/W	R/W	R/W	R/W	R/W
ADDR	F03H							

**Hex Address: F04**

**Table 128. Timer 0 PWM High Byte Register (T0PWMH)**

BITS	7	6	5	4	3	2	1	0
FIELD	PWMH							
RESET	0	0	0	0	0	0	0	0
R/W	R/W	R/W	R/W	R/W	R/W	R/W	R/W	R/W
ADDR	F04H							

**Hex Address: F05**

**Table 129. Timer 0 PWM Low Byte Register (T0PWML)**

BITS	7	6	5	4	3	2	1	0
FIELD	PWML							
RESET	0	0	0	0	0	0	0	0
R/W	R/W	R/W	R/W	R/W	R/W	R/W	R/W	R/W
ADDR	F05H							

**Hex Address: F06**

**Table 130. Timer 0 Control Register 0 (T0CTL0)**

BITS	7	6	5	4	3	2	1	0
FIELD	TMODEHI	TICONFIG		Reserved	PWMD			INPCAP
RESET	0	0	0	0	0	0	0	0
R/W	R/W	R/W	R/W	R/W	R/W	R/W	R/W	R/W
ADDR	F06H							

**Hex Address: F07**

**Table 131. Timer 0 Control Register 1 (T0CTL1)**

BITS	7	6	5	4	3	2	1	0
FIELD	TEN	TPOL	PRES			TMODE		
RESET	0	0	0	0	0	0	0	0
R/W	R/W	R/W	R/W	R/W	R/W	R/W	R/W	R/W
ADDR	F07H							

**Hex Address: F08**

**Table 132. Timer 1 High Byte Register (T1H)**

BITS	7	6	5	4	3	2	1	0
FIELD	TH							
RESET	0	0	0	0	0	0	0	0
R/W	R/W	R/W	R/W	R/W	R/W	R/W	R/W	R/W
ADDR	F08H							

**Hex Address: F09**

**Table 133. Timer 1 Low Byte Register (T1L)**

BITS	7	6	5	4	3	2	1	0
FIELD	TL							
RESET	0	0	0	0	0	0	0	1
R/W	R/W	R/W	R/W	R/W	R/W	R/W	R/W	R/W
ADDR	F09H							

**Hex Address: F0A**

**Table 134. Timer 1 Reload High Byte Register (T1RH)**

BITS	7	6	5	4	3	2	1	0
FIELD	TRH							
RESET	1	1	1	1	1	1	1	1
R/W	R/W	R/W	R/W	R/W	R/W	R/W	R/W	R/W
ADDR	F0AH							

**Hex Address: F0B**

**Table 135. Timer 1 Reload Low Byte Register (T1RL)**

BITS	7	6	5	4	3	2	1	0
FIELD	TRL							
RESET	1	1	1	1	1	1	1	1
R/W	R/W	R/W	R/W	R/W	R/W	R/W	R/W	R/W
ADDR	F0BH							

**Hex Address: F0C**

**Table 136. Timer 1 PWM High Byte Register (T1PWMH)**

BITS	7	6	5	4	3	2	1	0
FIELD	PWMH							
RESET	0	0	0	0	0	0	0	0
R/W	R/W	R/W	R/W	R/W	R/W	R/W	R/W	R/W
ADDR	F0CH							

**Hex Address: F0D**

**Table 137. Timer 1 PWM Low Byte Register (T1PWML)**

BITS	7	6	5	4	3	2	1	0
FIELD	PWML							
RESET	0	0	0	0	0	0	0	0
R/W	R/W	R/W	R/W	R/W	R/W	R/W	R/W	R/W
ADDR	F0DH							

**Hex Address: F0E**

**Table 138. Timer 1 Control Register 0 (T1CTL0)**

BITS	7	6	5	4	3	2	1	0
FIELD	TMODEHI	TICONFIG		Reserved	PWMD			INPCAP
RESET	0	0	0	0	0	0	0	0
R/W	R/W	R/W	R/W	R/W	R/W	R/W	R/W	R/W
ADDR	F0EH							

**Hex Address: F0F**

**Table 139. Timer 1 Control Register 1 (T1CTL1)**

BITS	7	6	5	4	3	2	1	0
FIELD	TEN	TPOL	PRES			TMODE		
RESET	0	0	0	0	0	0	0	0
R/W	R/W	R/W	R/W	R/W	R/W	R/W	R/W	R/W
ADDR	F0FH							

**Hex Addresses: F10-F6F**

Reserved

## Analog-to-Digital Converter

**Hex Address: F70**

**Table 140. ADC Control Register 0 (ADCCTL0)**

BITS	7	6	5	4	3	2	1	0
FIELD	START	Reserved	REFEN	ADCEN	Reserved	ANAIN[2:0]		
RESET	0	0	0	0	0	0	0	0
R/W	R/W1	R/W	R/W	R/W	R/W	R/W	R/W	R/W
ADDR	F70h							

Bit Position	Value (H)	Description
[7] START	0	<u>ADC Start/Busy</u> Writing to 0 has no effect. Reading a 0 indicates that the ADC is available to begin a conversion.
	1	Writing to 1 starts a conversion. Reading a 1 indicates that a conversion is currently in progress.
[6]	0	Reserved—Must be 0.
[5] REFEN	0	<u>Reference Enable</u> Internal reference voltage is disabled allowing an external reference voltage to be used by the ADC.
	1	Internal reference voltage for the ADC is enabled. The internal reference voltage can be measured on the VREF pin.
[4] ADCEN	0	<u>ADC Enable</u> ADC is disabled for low power operation.
	1	ADC is enabled for normal use.
[3] Reserved	0	Reserved—Must be 0.
[2:0] ANAIN	000	<u>Analog Input Select</u> ANA0 input is selected for analog to digital conversion.
	001	ANA1 input is selected for analog to digital conversion.
	010	ANA2 input is selected for analog to digital conversion.
	011	ANA3 input is selected for analog to digital conversion.
	100	ANA4 input is selected for analog to digital conversion.
	101	ANA5 input is selected for analog to digital conversion.
	110	ANA6 input is selected for analog to digital conversion.
	111	ANA7 input is selected for analog to digital conversion.

**Hex Address: F71**

Reserved



**Hex Address: F72**

**Table 141. ADC Data High Byte Register (ADCD\_H)**

BITS	7	6	5	4	3	2	1	0
FIELD	ADCDH							
RESET	X							
R/W	R							
ADDR	F72H							

Bit Position	Value (H)	Description
[7:0]	00h–FFh	ADC high byte The last conversion output is held in the data registers until the next ADC conversion is completed.

**Hex Address: F73**

**Table 142. ADC Data Low Bits Register (ADCD\_L)**

BITS	7	6	5	4	3	2	1	0
FIELD	ADCDL		Reserved					
RESET	X		X					
R/W	R		R					
ADDR	F73H							

Bit Position	Value (H)	Description
[7:6]	00–11b	ADC low bits These bits are the two least significant bits of the 10-bit ADC output. These bits are undefined after a reset. The low bits are latched into this register whenever the ADC data high byte register is read.
[5:0] Reserved	0	Reserved—Must be 0.

**Hex Address: F74**

**Table 143. ADC Sample Settling Time (ADCSST)**

BITS	7	6	5	4	3	2	1	0
FIELD	Reserved				SST			
RESET	0				1	1	1	1
R/W	R				R/W			
ADDR	F74H							

Bit Position	Value (H)	Description
[7:4]	0h	Reserved—Must be 0.
[3:0] SST	0h - Fh	Sample settling time in number of system clock periods to meet 0.5 $\mu$ s minimum.

**Hex Address: F75**

**Table 144. ADC Sample Time (ADCST)**

BITS	7	6	5	4	3	2	1	0
FIELD	Reserved		ST					
RESET	0		1	1	1	1	1	1
R/W	R/W		R/W					
ADDR	F75H							

Bit Position	Value (H)	Description
[7:6]	0h	Reserved—Must be 0.
[5:0] ST	0h - Fh	Sample-hold time in number of system clock periods to meet 1 $\mu$ s minimum.

**Hex Addresses: F77-F7F**

Reserved

## Low Power Control

**Hex Address: F80**

**Table 145. Power Control Register 0 (PWRCTL0)**

BITS	7	6	5	4	3	2	1	0
FIELD	Reserved			VBO	Reserved	Reserved	COMP	Reserved
RESET	1	0	0	0	1	0	0	0
R/W	R/W	R/W	R/W	R/W	R/W	R/W	R/W	R/W
ADDR	F80H							

**Hex Address: F81**

Reserved

## LED Controller

**Hex Address: F82**

**Table 146. LED Drive Enable (LEDEN)**

BITS	7	6	5	4	3	2	1	0
FIELD	LEDEN[7:0]							
RESET	0	0	0	0	0	0	0	0
R/W	R/W	R/W	R/W	R/W	R/W	R/W	R/W	R/W
ADDR	F82H							

**Hex Address: F83**

**Table 147. LED Drive Level High Register (LEDLVLH)**

BITS	7	6	5	4	3	2	1	0
FIELD	LEDLVLH[7:0]							
RESET	0	0	0	0	0	0	0	0
R/W	R/W	R/W	R/W	R/W	R/W	R/W	R/W	R/W
ADDR	F83H							

**Hex Address: F84**

**Table 148. LED Drive Level Low Register (LEDLVLL)**

BITS	7	6	5	4	3	2	1	0
FIELD	LEDLVLL[7:0]							
RESET	0	0	0	0	0	0	0	0
R/W	R/W	R/W	R/W	R/W	R/W	R/W	R/W	R/W
ADDR	F84H							

**Hex Address: F85**

Reserved

## Oscillator Control

**Hex Address: F86**

**Table 149. Oscillator Control Register (OSCCTL)**

BITS	7	6	5	4	3	2	1	0
FIELD	INTEN	XTLEN	WDTEN	POFEN	WDFEN	SCKSEL		
RESET	1	0	1	0	0	0	0	0
R/W	R/W	R/W	R/W	R/W	R/W	R/W	R/W	R/W
ADDR	F86H							

**Hex Addresses: F87-F8F**

Reserved

## Comparator 0

**Hex Address: F90**

**Table 150. Comparator Control Register (CMP0)**

BITS	7	6	5	4	3	2	1	0
FIELD	Reserved	INNSEL	REFLVL				Reserved	
RESET	0	0	0	1	0	1	0	0
R/W	R/W	R/W	R/W	R/W	R/W	R/W	R/W	R/W
ADDR	F90H							

**Hex Addresses: F91-FBF**

Reserved

## Interrupt Controller

**Hex Address: FC0**

**Table 151. Interrupt Request 0 Register (IRQ0)**

BITS	7	6	5	4	3	2	1	0
FIELD	Reserved	T1I	T0I	Reserved	Reserved	Reserved	Reserved	ADCI
RESET	0	0	0	0	0	0	0	0
R/W	R/W	R/W	R/W	R/W	R/W	R/W	R/W	R/W
ADDR	FC0H							

**Hex Address: FC1**

**Table 152. IRQ0 Enable High Bit Register (IRQ0ENH)**

BITS	7	6	5	4	3	2	1	0
FIELD	Reserved	T1ENH	T0ENH	Reserved	Reserved	Reserved	Reserved	ADCENH
RESET	0	0	0	0	0	0	0	0
R/W	R/W	R/W	R/W	R/W	R/W	R/W	R/W	R/W
ADDR	FC1H							

**Hex Address: FC2**

**Table 153. IRQ0 Enable Low Bit Register (IRQ0ENL)**

BITS	7	6	5	4	3	2	1	0
FIELD	Reserved	T1ENL	T0ENL	Reserved	Reserved	Reserved	Reserved	ADCENL
RESET	0	0	0	0	0	0	0	0
R/W	R	R/W	R/W	R/W	R/W	R	R	R/W
ADDR	FC2H							

**Hex Address: FC3**

**Table 154. Interrupt Request 1 Register (IRQ1)**

BITS	7	6	5	4	3	2	1	0
FIELD	PA7I	PA6CI	PA5I	PA4I	PA3I	PA2I	PA1I	PA0I
RESET	0	0	0	0	0	0	0	0
R/W	R/W	R/W	R/W	R/W	R/W	R/W	R/W	R/W
ADDR	FC3H							

**Hex Address: FC4**

**Table 155. IRQ1 Enable High Bit Register (IRQ1ENH)**

BITS	7	6	5	4	3	2	1	0
FIELD	PA7ENH	PA6CENH	PA5ENH	PA4ENH	PA3ENH	PA2ENH	PA1ENH	PA0ENH
RESET	0	0	0	0	0	0	0	0
R/W	R/W	R/W	R/W	R/W	R/W	R/W	R/W	R/W
ADDR	FC4H							

**Hex Address: FC5**

**Table 156. IRQ1 Enable Low Bit Register (IRQ1ENL)**

BITS	7	6	5	4	3	2	1	0
FIELD	PA7ENL	PA6CENL	PA5ENL	PA4ENL	PA3ENL	PA2ENL	PA1ENL	PA0ENL
RESET	0	0	0	0	0	0	0	0
R/W	R/W	R/W	R/W	R/W	R/W	R/W	R/W	R/W
ADDR	FC5H							

**Hex Address: FC6**

**Table 157. Interrupt Request 2 Register (IRQ2)**

BITS	7	6	5	4	3	2	1	0
FIELD	Reserved				PC3I	PC2I	PC1I	PC0I
RESET	0	0	0	0	0	0	0	0
R/W	R/W	R/W	R/W	R/W	R/W	R/W	R/W	R/W
ADDR	FC6H							

**Hex Address: FC7**

**Table 158. IRQ2 Enable High Bit Register (IRQ2ENH)**

BITS	7	6	5	4	3	2	1	0
FIELD	Reserved				C3ENH	C2ENH	C1ENH	C0ENH
RESET	0	0	0	0	0	0	0	0
R/W	R/W	R/W	R/W	R/W	R/W	R/W	R/W	R/W
ADDR	FC7H							

**Hex Address: FC8**

**Table 159. IRQ2 Enable Low Bit Register (IRQ2ENL)**

BITS	7	6	5	4	3	2	1	0
FIELD	Reserved				C3ENL	C2ENL	C1ENL	C0ENL
RESET	0	0	0	0	0	0	0	0
R/W	R/W	R/W	R/W	R/W	R/W	R/W	R/W	R/W
ADDR	FC8H							

**Hex Addresses: FC9-FCC**

Reserved

**Hex Address: FCD**

**Table 160. Interrupt Edge Select Register (IRQES)**

BITS	7	6	5	4	3	2	1	0
FIELD	IES7	IES6	IES5	IES4	IES3	IES2	IES1	IES0
RESET	0	0	0	0	0	0	0	0
R/W	R/W	R/W	R/W	R/W	R/W	R/W	R/W	R/W
ADDR	FCDH							

**Hex Address: FCE**

**Table 161. Shared Interrupt Select Register (IRQSS)**

BITS	7	6	5	4	3	2	1	0
FIELD	Reserved	PA6CS	Reserved					
RESET	0	0	0	0	0	0	0	0
R/W	R/W	R/W	R/W	R/W	R/W	R/W	R/W	R/W
ADDR	FCEH							

**Hex Address: FCF**

**Table 162. Interrupt Control Register (IRQCTL)**

BITS	7	6	5	4	3	2	1	0
FIELD	IRQE	Reserved						
RESET	0	0	0	0	0	0	0	0
R/W	R/W	R	R	R	R	R	R	R
ADDR	FCFH							

## GPIO Port A

**Hex Address: FD0**

**Table 163. Port A GPIO Address Register (PAADDR)**

BITS	7	6	5	4	3	2	1	0
FIELD	PADDR[7:0]							
RESET	00H							
R/W	R/W	R/W	R/W	R/W	R/W	R/W	R/W	R/W
ADDR	FD0H							

**Hex Address: FD1**

**Table 164. Port A Control Registers (PACTL)**

BITS	7	6	5	4	3	2	1	0
FIELD	PCTL							
RESET	00H							
R/W	R/W	R/W	R/W	R/W	R/W	R/W	R/W	R/W
ADDR	FD1H							



**Hex Address: FD2**

**Table 165. Port A Input Data Registers (PAIN)**

BITS	7	6	5	4	3	2	1	0
FIELD	PIN7	PIN6	PIN5	PIN4	PIN3	PIN2	PIN1	PIN0
RESET	X	X	X	X	X	X	X	X
R/W	R	R	R	R	R	R	R	R
ADDR	FD2H							

**Hex Address: FD3**

**Table 166. Port A Output Data Register (PAOUT)**

BITS	7	6	5	4	3	2	1	0
FIELD	POUT7	POUT6	POUT5	POUT4	POUT3	POUT2	POUT1	POUT0
RESET	0	0	0	0	0	0	0	0
R/W	R/W	R/W	R/W	R/W	R/W	R/W	R/W	R/W
ADDR	FD3H							

**Hex Address: FD4**

**Table 167. Port B GPIO Address Register (PBADDR)**

BITS	7	6	5	4	3	2	1	0
FIELD	PADDR[7:0]							
RESET	00H							
R/W	R/W	R/W	R/W	R/W	R/W	R/W	R/W	R/W
ADDR	FD4H							

**Hex Address: FD5**

**Table 168. Port B Control Registers (PBCTL)**

BITS	7	6	5	4	3	2	1	0
FIELD	PCTL							
RESET	00H							
R/W	R/W	R/W	R/W	R/W	R/W	R/W	R/W	R/W
ADDR	FD5H							

**Hex Address: FD6**

**Table 169. Port B Input Data Registers (PBIN)**

BITS	7	6	5	4	3	2	1	0
FIELD	PIN7	PIN6	PIN5	PIN4	PIN3	PIN2	PIN1	PIN0
RESET	X	X	X	X	X	X	X	X
R/W	R	R	R	R	R	R	R	R
ADDR	FD6H							

**Hex Address: FD7**

**Table 170. Port B Output Data Register (PBOU)**

BITS	7	6	5	4	3	2	1	0
FIELD	POUT7	POUT6	POUT5	POUT4	POUT3	POUT2	POUT1	POUT0
RESET	0	0	0	0	0	0	0	0
R/W	R/W	R/W	R/W	R/W	R/W	R/W	R/W	R/W
ADDR	FD7H							

**Hex Address: FD8**

**Table 171. Port C GPIO Address Register (PCADDR)**

BITS	7	6	5	4	3	2	1	0
FIELD	PADDR[7:0]							
RESET	00H							
R/W	R/W	R/W	R/W	R/W	R/W	R/W	R/W	R/W
ADDR	FD8H							

**Hex Address: FD9**

**Table 172. Port C Control Registers (PCCTL)**

BITS	7	6	5	4	3	2	1	0
FIELD	PCTL							
RESET	00H							
R/W	R/W	R/W	R/W	R/W	R/W	R/W	R/W	R/W
ADDR	FD9H							

**Hex Address: FDA**

**Table 173. Port C Input Data Registers (PCIN)**

BITS	7	6	5	4	3	2	1	0
FIELD	PIN7	PIN6	PIN5	PIN4	PIN3	PIN2	PIN1	PIN0
RESET	X	X	X	X	X	X	X	X
R/W	R	R	R	R	R	R	R	R
ADDR	FDAH							

**Hex Address: FDB**

**Table 174. Port C Output Data Register (PCOUT)**

BITS	7	6	5	4	3	2	1	0
FIELD	POUT7	POUT6	POUT5	POUT4	POUT3	POUT2	POUT1	POUT0
RESET	0	0	0	0	0	0	0	0
R/W	R/W	R/W	R/W	R/W	R/W	R/W	R/W	R/W
ADDR	FDBH							

**Hex Address: FDC**

**Table 175. Port D GPIO Address Register (PDADDR)**

BITS	7	6	5	4	3	2	1	0
FIELD	PADDR[7:0]							
RESET	00H							
R/W	R/W	R/W	R/W	R/W	R/W	R/W	R/W	R/W
ADDR	FDCH							

**Hex Address: FDD**

**Table 176. Port D Control Registers (PDCTL)**

BITS	7	6	5	4	3	2	1	0
FIELD	PCTL							
RESET	00H							
R/W	R/W	R/W	R/W	R/W	R/W	R/W	R/W	R/W
ADDR	FDDH							

**Hex Address: FDE**

Reserved

**Hex Address: FDF**

**Table 177. Port D Output Data Register (PDOUT)**

BITS	7	6	5	4	3	2	1	0
FIELD	POUT7	POUT6	POUT5	POUT4	POUT3	POUT2	POUT1	POUT0
RESET	0	0	0	0	0	0	0	0
R/W	R/W	R/W	R/W	R/W	R/W	R/W	R/W	R/W
ADDR	FDFH							

**Hex Addresses: FE0-FEF**

Reserved

## Watchdog Timer

**Hex Address: FF0**

**Table 178. Watchdog Timer Control Register (WDTCTL)**

BITS	7	6	5	4	3	2	1	0
FIELD	WDTUNLK							
RESET	X	X	X	X	X	X	X	X
R/W	W	W	W	W	W	W	W	W
ADDR	FF0H							

This register address is shared with the read-only reset status register

**Table 179. Reset Status Register (RSTSTAT)**

BITS	7	6	5	4	3	2	1	0
FIELD	POR	STOP	WDT	EXT	Reserved			
RESET	See <a href="#">Table 11</a>			0	0	0	0	0
R/W	R	R	R	R	R	R	R	R
ADDR	FF0H							

**Hex Address: FF1**

**Table 180. Watchdog Timer Reload Upper Byte Register (WDTU)**

BITS	7	6	5	4	3	2	1	0
FIELD	WDTU							
RESET	0	0	0	0	0	0	0	0
R/W	R/W*	R/W*	R/W*	R/W*	R/W*	R/W*	R/W*	R/W*
ADDR	FF1H							

**Note:** R/W\* - Read returns the current WDT count value. Write sets the appropriate reload value.

**Hex Address: FF2**

**Table 181. Watchdog Timer Reload High Byte Register (WDTH)**

BITS	7	6	5	4	3	2	1	0
FIELD	WDTH							
RESET	0	0	0	0	0	1	0	0
R/W	R/W*	R/W*	R/W*	R/W*	R/W*	R/W*	R/W*	R/W*
ADDR	FF2H							

**Note:** R/W\* - Read returns the current WDT count value. Write sets the appropriate reload value.

**Hex Address: FF3**

**Table 182. Watchdog Timer Reload Low Byte Register (WDTL)**

BITS	7	6	5	4	3	2	1	0
FIELD	WDTL							
RESET	0	0	0	0	0	0	0	0
R/W	R/W*	R/W*	R/W*	R/W*	R/W*	R/W*	R/W*	R/W*
ADDR	FF3H							

**Note:** R/W\* - Read returns the current WDT count value. Write sets the appropriate Reload Value.

**Hex Addresses: FF4-FF5**

Reserved

## Trim Bit Control

Hex Address: FF6

Table 183. Trim Bit Address Register (TRMADR)

BITS	7	6	5	4	3	2	1	0
FIELD	TRMADR - Trim Bit Address (00H to 1FH)							
RESET	0	0	0	0	0	0	0	0
R/W	R/W	R/W	R/W	R/W	R/W	R/W	R/W	R/W
ADDR	FF6H							

Hex Address: FF7

Table 184. Trim Bit Data Register (TRMDR)

BITS	7	6	5	4	3	2	1	0
FIELD	TRMDR - Trim Bit Data							
RESET	0	0	0	0	0	0	0	0
R/W	R/W	R/W	R/W	R/W	R/W	R/W	R/W	R/W
ADDR	FF7H							

## Flash Memory Controller

Hex Address: FF8

Table 185. Flash Control Register (FCTL)

BITS	7	6	5	4	3	2	1	0
FIELD	FCMD							
RESET	0	0	0	0	0	0	0	0
R/W	W	W	W	W	W	W	W	W
ADDR	FF8H							

**Hex Address: FF8**

**Table 186. Flash Status Register (FSTAT)**

BITS	7	6	5	4	3	2	1	0
FIELD	Reserved		FSTAT					
RESET	0	0	0	0	0	0	0	0
R/W	R	R	R	R	R	R	R	R
ADDR	FF8H							

**Hex Address: FF9**

**Table 187. Flash Page Select Register (FPS)**

BITS	7	6	5	4	3	2	1	0
FIELD	INFO_EN	PAGE						
RESET	0	0	0	0	0	0	0	0
R/W	R/W	R/W	R/W	R/W	R/W	R/W	R/W	R/W
ADDR	FF9H							

The Flash sector protect register is shared with the Flash page select register.

**Table 188. Flash Sector Protect Register (FPROT)**

BITS	7	6	5	4	3	2	1	0
FIELD	SPROT7	SPROT6	SPROT5	SPROT4	SPROT3	SPROT2	SPROT1	SPROT0
RESET	0	0	0	0	0	0	0	0
R/W	R/W	R/W	R/W	R/W	R/W	R/W	R/W	R/W
ADDR	FF9H							

**Hex Address: FFA**

**Table 189. Flash Frequency High Byte Register (FFREQH)**

BITS	7	6	5	4	3	2	1	0
FIELD	FFREQH							
RESET	0	0	0	0	0	0	0	0
R/W	R/W	R/W	R/W	R/W	R/W	R/W	R/W	R/W
ADDR	FFAH							

Hex Address: FFB

Table 190. Flash Frequency Low Byte Register (FFREQL)

BITS	7	6	5	4	3	2	1	0
FIELD	FFREQL							
RESET	0							
R/W	R/W							
ADDR	FFBH							

## eZ8 CPU

Refer to the *eZ8 CPU User Manual*.

## Opcode Maps

[Figure 45](#) and [Figure 46](#) provide information about each of the eZ8 CPU instructions.



		Lower Nibble (Hex)																				
		0	1	2	3	4	5	6	7	8	9	A	B	C	D	E	F					
Upper Nibble (Hex)	0	1.1 <b>BRK</b>	2.2 <b>SRP</b> IM	2.3 <b>ADD</b> r1,r2	2.4 <b>ADD</b> r1,lr2	3.3 <b>ADD</b> R2,R1	3.4 <b>ADD</b> IR2,R1	3.3 <b>ADD</b> R1,IM	3.4 <b>ADD</b> IR1,IM	4.3 <b>ADDX</b> ER2,ER1	4.3 <b>ADDX</b> IM,ER1	2.3 <b>DJNZ</b> r1,X	2.2 <b>JR</b> cc,X	2.2 <b>LD</b> r1,IM	3.2 <b>JP</b> cc,DA	1.2 <b>INC</b> r1	1.2 <b>NOP</b>					
	1	2.2 <b>RLC</b> R1	2.3 <b>RLC</b> IR1	2.3 <b>ADC</b> r1,r2	2.4 <b>ADC</b> r1,lr2	3.3 <b>ADC</b> R2,R1	3.4 <b>ADC</b> IR2,R1	3.3 <b>ADC</b> R1,IM	3.4 <b>ADC</b> IR1,IM	4.3 <b>ADCX</b> ER2,ER1	4.3 <b>ADCX</b> IM,ER1	↓					See 2nd Opcode Map					
	2	2.2 <b>INC</b> R1	2.3 <b>INC</b> IR1	2.3 <b>SUB</b> r1,r2	2.4 <b>SUB</b> r1,lr2	3.3 <b>SUB</b> R2,R1	3.4 <b>SUB</b> IR2,R1	3.3 <b>SUB</b> R1,IM	3.4 <b>SUB</b> IR1,IM	4.3 <b>SUBX</b> ER2,ER1	4.3 <b>SUBX</b> IM,ER1											
	3	2.2 <b>DEC</b> R1	2.3 <b>DEC</b> IR1	2.3 <b>SBC</b> r1,r2	2.4 <b>SBC</b> r1,lr2	3.3 <b>SBC</b> R2,R1	3.4 <b>SBC</b> IR2,R1	3.3 <b>SBC</b> R1,IM	3.4 <b>SBC</b> IR1,IM	4.3 <b>SBCX</b> ER2,ER1	4.3 <b>SBCX</b> IM,ER1											
	4	2.2 <b>DA</b> R1	2.3 <b>DA</b> IR1	2.3 <b>OR</b> r1,r2	2.4 <b>OR</b> r1,lr2	3.3 <b>OR</b> R2,R1	3.4 <b>OR</b> IR2,R1	3.3 <b>OR</b> R1,IM	3.4 <b>OR</b> IR1,IM	4.3 <b>ORX</b> ER2,ER1	4.3 <b>ORX</b> IM,ER1											
	5	2.2 <b>POP</b> R1	2.3 <b>POP</b> IR1	2.3 <b>AND</b> r1,r2	2.4 <b>AND</b> r1,lr2	3.3 <b>AND</b> R2,R1	3.4 <b>AND</b> IR2,R1	3.3 <b>AND</b> R1,IM	3.4 <b>AND</b> IR1,IM	4.3 <b>ANDX</b> ER2,ER1	4.3 <b>ANDX</b> IM,ER1											1.2 <b>WDT</b>
	6	2.2 <b>COM</b> R1	2.3 <b>COM</b> IR1	2.3 <b>TCM</b> r1,r2	2.4 <b>TCM</b> r1,lr2	3.3 <b>TCM</b> R2,R1	3.4 <b>TCM</b> IR2,R1	3.3 <b>TCM</b> R1,IM	3.4 <b>TCM</b> IR1,IM	4.3 <b>TCMX</b> ER2,ER1	4.3 <b>TCMX</b> IM,ER1											1.2 <b>STOP</b>
	7	2.2 <b>PUSH</b> R2	2.3 <b>PUSH</b> IR2	2.3 <b>TM</b> r1,r2	2.4 <b>TM</b> r1,lr2	3.3 <b>TM</b> R2,R1	3.4 <b>TM</b> IR2,R1	3.3 <b>TM</b> R1,IM	3.4 <b>TM</b> IR1,IM	4.3 <b>TMX</b> ER2,ER1	4.3 <b>TMX</b> IM,ER1											1.2 <b>HALT</b>
	8	2.5 <b>DECW</b> RR1	2.6 <b>DECW</b> IRR1	2.5 <b>LDE</b> r1,lr2	2.9 <b>LDEI</b> lr1,lr2	3.2 <b>LDX</b> r1,ER2	3.3 <b>LDX</b> lr1,ER2	3.4 <b>LDX</b> IRR2,R1	3.5 <b>LDX</b> IRR2,IR1	3.4 <b>LDX</b> r1,rr2,X	3.4 <b>LDX</b> rr1,rr2,X											1.2 <b>DI</b>
	9	2.2 <b>RL</b> R1	2.3 <b>RL</b> IR1	2.5 <b>LDE</b> r2,lr1	2.9 <b>LDEI</b> lr2,lr1	3.2 <b>LDX</b> r2,ER1	3.3 <b>LDX</b> lr2,ER1	3.4 <b>LDX</b> R2,IRR1	3.5 <b>LDX</b> IR2,IRR1	3.3 <b>LEA</b> r1,r2,X	3.5 <b>LEA</b> rr1,rr2,X											1.2 <b>EI</b>
	A	2.5 <b>INCW</b> RR1	2.6 <b>INCW</b> IRR1	2.3 <b>CP</b> r1,r2	2.4 <b>CP</b> r1,lr2	3.3 <b>CP</b> R2,R1	3.4 <b>CP</b> IR2,R1	3.3 <b>CP</b> R1,IM	3.4 <b>CP</b> IR1,IM	4.3 <b>CPX</b> ER2,ER1	4.3 <b>CPX</b> IM,ER1											1.4 <b>RET</b>
	B	2.2 <b>CLR</b> R1	2.3 <b>CLR</b> IR1	2.3 <b>XOR</b> r1,r2	2.4 <b>XOR</b> r1,lr2	3.3 <b>XOR</b> R2,R1	3.4 <b>XOR</b> IR2,R1	3.3 <b>XOR</b> R1,IM	3.4 <b>XOR</b> IR1,IM	4.3 <b>XORX</b> ER2,ER1	4.3 <b>XORX</b> IM,ER1											1.5 <b>IRET</b>
	C	2.2 <b>RRC</b> R1	2.3 <b>RRC</b> IR1	2.5 <b>LDC</b> r1,lr2	2.9 <b>LDCI</b> lr1,lr2	2.3 <b>JP</b> IRR1	2.9 <b>LDC</b> lr1,lr2		3.4 <b>LD</b> r1,r2,X	3.2 <b>PUSHX</b> ER2												1.2 <b>RCF</b>
	D	2.2 <b>SRA</b> R1	2.3 <b>SRA</b> IR1	2.5 <b>LDC</b> r2,lr1	2.9 <b>LDCI</b> lr2,lr1	2.6 <b>CALL</b> IRR1	2.2 <b>BSWAP</b> R1	3.3 <b>CALL</b> DA	3.4 <b>LD</b> r2,r1,X	3.2 <b>POPX</b> ER1												1.2 <b>SCF</b>
	E	2.2 <b>RR</b> R1	2.3 <b>RR</b> IR1	2.5 <b>BIT</b> p,b,r1	2.3 <b>LD</b> r1,lr2	3.2 <b>LD</b> R2,R1	2.9 <b>LD</b> IR2,R1	3.3 <b>LD</b> R1,IM	3.3 <b>LD</b> IR1,IM	4.2 <b>LDX</b> ER2,ER1	4.2 <b>LDX</b> IM,ER1											1.2 <b>CCF</b>
	F	2.2 <b>SWAP</b> R1	2.3 <b>SWAP</b> IR1	2.6 <b>TRAP</b> Vector	2.3 <b>LD</b> lr1,r2	2.8 <b>MULT</b> RR1	3.3 <b>LD</b> R2,IR1	3.3 <b>BTJ</b> p,b,r1,X	3.4 <b>BTJ</b> p,b,lr1,X													

Figure 45. First Opcode Map

		Lower Nibble (Hex)															
		0	1	2	3	4	5	6	7	8	9	A	B	C	D	E	F
Upper Nibble (Hex)	0																
	1																
	2																
	3																
	4																
	5																
	6																
	7		3.2 PUSH IM														
	8																
	9																
	A			3.3 CPC r1,r2	3.4 CPC r1,r2	4.3 CPC R2,R1	4.4 CPC IR2,R1	4.3 CPC R1,IM	4.4 CPC IR1,IM	5.3 CPCX ER2,ER1	5.3 CPCX IM,ER1						
	B																
	C		3.2 SRL R1	3.3 SRL IR1													
	D																
	E										5, 4 LDWX ER2,ER1						
	F																

Figure 46. Second Opcode Map

# Index

## Symbols

# 158  
% 158  
@ 158

## Numerics

10-bit ADC 4  
40-lead plastic dual-inline package 198

## A

absolute maximum ratings 177  
AC characteristics 181  
ADC 159  
    block diagram 92  
    overview 91  
ADC Channel Register 1 (ADCCTL) 94  
ADC Data High Byte Register (ADCDH) 96  
ADC Data Low Bit Register (ADC DL) 96, 97, 98  
ADCX 159  
ADD 159  
add - extended addressing 159  
add with carry 159  
add with carry - extended addressing 159  
additional symbols 158  
address space 15  
ADDX 159  
analog block/PWM signal synchronization 93  
analog block/PWM signal synchronization 93  
analog signals 11  
analog-to-digital converter  
    overview 91  
AND 161  
ANDX 161  
architecture  
    voltage measurements 91  
arithmetic instructions 159  
assembly language programming 155

assembly language syntax 156

## B

B 158  
b 157  
BCLR 160  
binary number suffix 158  
BIT 160  
bit 157  
    clear 160  
    manipulation instructions 160  
    set 160  
    set or clear 160  
    swap 160  
    test and jump 162  
    test and jump if non-zero 162  
    test and jump if zero 162  
bit jump and test if non-zero 159  
bit swap 162  
block diagram 2  
block transfer instructions 160  
BRK 162  
BSET 160  
BSWAP 160, 162  
BTJ 162  
BTJNZ 159, 162  
BTJZ 162

## C

calibration and compensation, motor control  
    measurements 94  
CALL procedure 162  
capture mode 83  
capture/compare mode 83  
cc 157  
CCF 160  
characteristics, electrical 177  
clear 161  
CLR 161  
COM 161  
compare 83  
compare - extended addressing 159

compare mode 83  
 compare with carry 159  
 compare with carry - extended addressing 159  
 complement 161  
 complement carry flag 160  
 condition code 157  
 continuous mode 82  
 Control Registers 15, 19  
 counter modes 82  
 CP 159  
 CPC 159  
 CPCX 159  
 CPU and peripheral overview 4  
 CPU control instructions 160  
 CPX 159  
 current measurement  
   architecture 91  
   operation 92  
 Customer Feedback Form 243  
 Customer Information 243

## D

DA 157, 159  
 data memory 16  
 DC characteristics 178  
 debugger, on-chip 131  
 DEC 159  
 decimal adjust 159  
 decrement 159  
 decrement and jump non-zero 162  
 decrement word 159  
 DECW 159  
 destination operand 158  
 device, port availability 37  
 DI 160  
 direct address 157  
 disable interrupts 160  
 DJNZ 162  
 dst 158

## E

EI 160

electrical characteristics 177  
   GPIO input data sample timing 188  
   watchdog timer 188  
 electrical noise 91  
 enable interrupt 160  
 ER 157  
 extended addressing register 157  
 external pin reset 27  
 eZ8 CPU features 4  
 eZ8 CPU instruction classes 158  
 eZ8 CPU instruction notation 156  
 eZ8 CPU instruction set 155  
 eZ8 CPU instruction summary 163

## F

FCTL register 112, 119, 228  
 features, Z8 Encore! 1  
 first opcode map 174  
 FLAGS 158  
 flags register 158  
 flash  
   controller 4  
   option bit address space 119  
   option bit configuration - reset 117  
   program memory address 0000H 120  
   program memory address 0001H 121  
 flash memory 101  
   byte programming 110  
   code protection 108  
   configurations 101  
   control register definitions 112, 118  
   controller bypass 111  
   flash control register 112, 119, 228  
   flash option bits 109  
   flash status register 113  
   flow chart 107  
   frequency high and low byte registers 115  
   mass erase 110  
   operation 106  
   operation timing 108  
   page erase 110  
   page select register 113, 114  
 FPS register 113, 114

FSTAT register 113

## G

gated mode 83  
 general-purpose I/O 37  
 GPIO 4, 37  
     alternate functions 38  
     architecture 37  
     control register definitions 43  
     input data sample timing 188  
     interrupts 42  
     port A-C pull-up enable sub-registers 48, 49  
     port A-H address registers 44  
     port A-H alternate function sub-registers 45  
     port A-H control registers 44  
     port A-H data direction sub-registers 45  
     port A-H high drive enable sub-registers 47  
     port A-H input data registers 49  
     port A-H output control sub-registers 46  
     port A-H output data registers 50  
     port A-H stop mode recovery sub-registers 47  
     port availability by device 37  
     port input timing 189  
     port output timing 189

## H

H 158  
 HALT 160  
 halt mode 34, 160  
 hexadecimal number prefix/suffix 158

## I

IM 157  
 immediate data 157  
 immediate operand prefix 158  
 INC 159  
 increment 159  
 increment word 159  
 INCW 159

indexed 157  
 indirect address prefix 158  
 indirect register 157  
 indirect register pair 157  
 indirect working register 157  
 indirect working register pair 157  
 instruction set, ez8 CPU 155  
 instructions  
     ADC 159  
     ADCX 159  
     ADD 159  
     ADDX 159  
     AND 161  
     ANDX 161  
     arithmetic 159  
     BCLR 160  
     BIT 160  
     bit manipulation 160  
     block transfer 160  
     BRK 162  
     BSET 160  
     BSWAP 160, 162  
     BTJ 162  
     BTJNZ 159, 162  
     BTJZ 162  
     CALL 162  
     CCF 160  
     CLR 161  
     COM 161  
     CP 159  
     CPC 159  
     CPCX 159  
     CPU control 160  
     CPX 159  
     DA 159  
     DEC 159  
     DECW 159  
     DI 160  
     DJNZ 162  
     EI 160  
     HALT 160  
     INC 159  
     INCW 159  
     IRET 162

JP 162  
 LD 161  
 LDC 161  
 LDCI 160, 161  
 LDE 161  
 LDEI 160  
 LDX 161  
 LEA 161  
 load 161  
 logical 161  
 MULT 159  
 NOP 160  
 OR 161  
 ORX 161  
 POP 161  
 POPX 161  
 program control 162  
 PUSH 161  
 PUSHX 161  
 RCF 160  
 RET 162  
 RL 162  
 RLC 162  
 rotate and shift 162  
 RR 162  
 RRC 162  
 SBC 159  
 SCF 160  
 SRA 162  
 SRL 162  
 SRP 160  
 STOP 160  
 SUB 159  
 SUBX 159  
 SWAP 162  
 TCM 160  
 TCMX 160  
 TM 160  
 TMX 160  
 TRAP 162  
 watchdog timer refresh 160  
 XOR 161  
 XORX 161  
 instructions, eZ8 classes of 158

interrupt control register 64  
 interrupt controller 53  
     architecture 53  
     interrupt assertion types 56  
     interrupt vectors and priority 56  
     operation 55  
     register definitions 57  
     software interrupt assertion 57  
 interrupt edge select register 63  
 interrupt request 0 register 57  
 interrupt request 1 register 58  
 interrupt request 2 register 59  
 interrupt return 162  
 interrupt vector listing 53  
 IR 157  
 Ir 157  
 IRET 162  
 IRQ0 enable high and low bit registers 59  
 IRQ1 enable high and low bit registers 61  
 IRQ2 enable high and low bit registers 62  
 IRR 157  
 Irr 157

## J

JP 162  
 jump, conditional, relative, and relative conditional 162

## L

LD 161  
 LDC 161  
 LDCI 160, 161  
 LDE 161  
 LDEI 160, 161  
 LDX 161  
 LEA 161  
 load 161  
 load constant 160  
 load constant to/from program memory 161  
 load constant with auto-increment addresses 161  
 load effective address 161

load external data 161  
load external data to/from data memory and auto-increment addresses 160  
load external to/from data memory and auto-increment addresses 161  
load instructions 161  
load using extended addressing 161  
logical AND 161  
logical AND/extended addressing 161  
logical exclusive OR 161  
logical exclusive OR/extended addressing 161  
logical instructions 161  
logical OR 161  
logical OR/extended addressing 161  
low power modes 33

## M

master interrupt enable 55  
memory  
    data 16  
    program 15  
mode  
    capture 83  
    capture/compare 83  
    continuous 82  
    counter 82  
    gated 83  
    one-shot 82  
    PWM 82, 83  
modes 83  
motor control measurements  
    ADC Control register definitions 94  
    calibration and compensation 94  
    interrupts 94  
    overview 91  
MULT 159  
multiply 159

## N

noise, electrical 91  
NOP (no operation) 160  
notation

b 157  
cc 157  
DA 157  
ER 157  
IM 157  
IR 157  
lr 157  
IRR 157  
lrr 157  
p 157  
R 157  
r 157  
RA 157  
RR 157  
rr 157  
vector 157  
X 157

notational shorthand 157

## O

### OCD

architecture 131  
auto-baud detector/generator 134  
baud rate limits 134  
block diagram 131  
breakpoints 135  
commands 136  
control register 140  
data format 134  
DBG pin to RS-232 Interface 132  
debug mode 133  
debugger break 162  
interface 132  
serial errors 135  
status register 142  
timing 190

### OCD commands

execute instruction (12H) 140  
read data memory (0DH) 139  
read OCD control register (05H) 137  
read OCD revision (00H) 137  
read OCD status register (02H) 137  
read program counter (07H) 138

read program memory (0BH) 139  
 read program memory CRC (0EH) 139  
 read register (09H) 138  
 read runtime counter (03H) 137  
 step instruction (10H) 140  
 stuff instruction (11H) 140  
 write data memory (0CH) 139  
 write OCD control register (04H) 137  
 write program counter (06H) 138  
 write program memory (0AH) 138  
 write register (08H) 138  
 on-chip debugger (OCD) 131  
 on-chip debugger signals 12  
 on-chip oscillator 149  
 one-shot mode 82  
 opcode map  
     abbreviations 173  
     cell description 172  
     first 174  
     second after 1FH 175  
 operation 93  
     current measurement 92  
     voltage measurement timing diagram 93  
 Operational Description 23, 33, 37, 53, 65, 85,  
 91, 99, 101, 117, 127, 131, 143, 149, 153  
 OR 161  
 ordering information 201  
 ORX 161  
 oscillator signals 11

## P

p 157  
 packaging  
     20-pin PDIP 193, 194  
     20-pin SSOP 195, 196, 199, 200  
     28-pin PDIP 197  
     28-pin SOIC 198  
     PDIP 198  
 part selection guide 2  
 PC 158  
 PDIP 198  
 peripheral AC and DC electrical characteristics  
 183

pin characteristics 12  
 Pin Descriptions 7  
 polarity 157  
 POP 161  
 pop using extended addressing 161  
 POPX 161  
 port availability, device 37  
 port input timing (GPIO) 189  
 port output timing, GPIO 189  
 power supply signals 12  
 power-on reset (POR) 25  
 program control instructions 162  
 program counter 158  
 program memory 15  
 PUSH 161  
 push using extended addressing 161  
 PUSHX 161  
 PWM mode 82, 83  
 PxADDR register 44, 222, 223, 224, 225  
 PxCTL register 45, 222, 223, 224, 225

## R

R 157  
 r 157  
 RA  
     register address 157  
 RCF 160  
 register 157  
     flash control (FCTL) 112, 119, 228  
     flash high and low byte (FFREQH and  
     FREEQL) 115  
     flash page select (FPS) 113, 114  
     flash status (FSTAT) 113  
     GPIO port A-H address (PxADDR) 44, 222,  
     223, 224, 225  
     GPIO port A-H alternate function sub-regis-  
     ters 46  
     GPIO port A-H control address (PxCTL)  
     45, 222, 223, 224, 225  
     GPIO port A-H data direction sub-registers  
     45  
     OCD control 140  
     OCD status 142



- watchdog timer control (WDTCTL) 30, 88, 100, 146, 218, 226
  - watchdog timer reload high byte (WDTH) 89, 227
  - watchdog timer reload low byte (WDTL) 89, 227
  - watchdog timer reload upper byte (WDTU) 89, 227
  - register file 15
  - register pair 157
  - register pointer 158
  - registers
    - ADC channel 1 94
    - ADC data high byte 96
    - ADC data low bit 96, 97, 98
  - reset
    - and stop mode characteristics 23
    - and stop mode recovery 23
    - carry flag 160
    - sources 24
  - RET 162
  - return 162
  - RL 162
  - RLC 162
  - rotate and shift instructions 162
  - rotate left 162
  - rotate left through carry 162
  - rotate right 162
  - rotate right through carry 162
  - RP 158
  - RR 157, 162
  - rr 157
  - RRC 162
- S**
- SBC 159
  - SCF 160
  - second opcode map after 1FH 175
  - set carry flag 160
  - set register pointer 160
  - shift right arithmetic 162
  - shift right logical 162
  - signal descriptions 10
  - software trap 162
  - source operand 158
  - SP 158
  - SRA 162
  - src 158
  - SRL 162
  - SRP 160
  - stack pointer 158
  - STOP 160
  - stop mode 33, 160
  - stop mode recovery
    - sources 28
    - using a GPIO port pin transition 29, 30
    - using watchdog timer time-out 29
  - SUB 159
  - subtract 159
  - subtract - extended addressing 159
  - subtract with carry 159
  - subtract with carry - extended addressing 159
  - SUBX 159
  - SWAP 162
  - swap nibbles 162
  - symbols, additional 158
- T**
- Table 134. Power Consumption Reference Table 190
  - TCM 160
  - TCMX 160
  - Technical Support 243
  - test complement under mask 160
  - test complement under mask - extended addressing 160
  - test under mask 160
  - test under mask - extended addressing 160
  - timing diagram, voltage measurement 93
  - timer signals 11
  - timers 65
    - architecture 65
    - block diagram 65
    - capture mode 73, 74, 83
    - capture/compare mode 77, 83
    - compare mode 75, 83

- continuous mode 67, 82
- counter mode 68, 69
- counter modes 82
- gated mode 76, 83
- one-shot mode 66, 82
- operating mode 66
- PWM mode 70, 71, 82, 83
- reading the timer count values 78
- reload high and low byte registers 79
- timer control register definitions 78
- timer output signal operation 78

#### timers 0-3

- control registers 81, 82
- high and low byte registers 78, 80

TM 160

TMX 160

TRAP 162

## V

vector 157

voltage brown-out reset (VBR) 26

voltage measurement timing diagram 93

## W

- approximate time-out delay 86
- approximate time-out delays 85, 99, 127, 143, 153

CNTL 26

control register 88, 99, 146

electrical characteristics and timing 188

interrupt in normal operation 86

interrupt in stop mode 87

operation 85, 99, 127, 143, 153

refresh 86, 160

reload unlock sequence 87

reload upper, high and low registers 88

reset 27

reset in normal operation 87

reset in Stop mode 87

time-out response 86

WDTCTL register 30, 88, 100, 146, 218, 226

WDTH register 89, 227

WDTL register 89, 227

working register 157

working register pair 157

WTDU register 89, 227

## X

X 157

XOR 161

XORX 161

## Z

Z8 Encore!

- block diagram 2

- features 1

- part selection guide 2

# Customer Support

For answers to technical questions about the product, documentation, or any other issues with Zilog's offerings, please visit Zilog's Knowledge Base at <http://www.zilog.com/kb>.

For any comments, detail technical questions, or reporting problems, please visit Zilog's Technical Support at <http://support.zilog.com>.