

# PRODUCT SPECIFICATION



Product Name 1812 WIRE WOUND CERAMIC CHIP INDUCTORS Page 1  
 TAMURA Part No. T1812-XXX Rev. No. 0

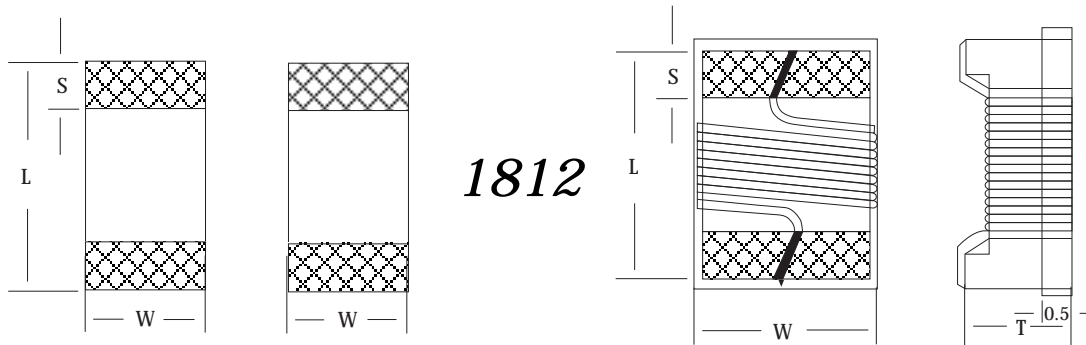
## Features:

- Small and lightweight.
- Wide inductance range, 1.6nH to 270nH.
- Excellent solderability and resistance to soldering heat, suitable for flow and reflow soldering.
- Minimum dimensions, high reliability and high speed surface mount assembly.

## Application:

1. Prevention of electromagnetic interference to signals on the secondary side of electric equipment
2. Telecommunication products, mobile phone, pagers, cellular phone, computers. Modems, OA products, TVs, VCRs. etc.

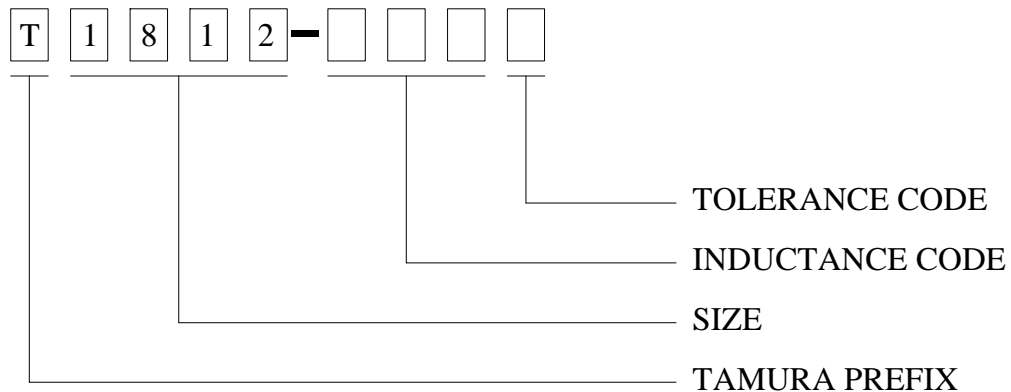
## 1. CONFIGURATION & DIMENSIONS :



Size Code		L ± 0.2	W ± 0.2	T ± 0.2	S ± 0.2
Japan	USA/Europe				
4532	1812	4.95	3.81	3.43	0.64

All dimensions in mm

## 2. Part No. FORMAT :



Tolerance Code: J= ± 5%, K= ± 10%

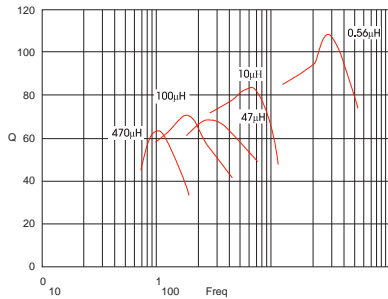
# PRODUCT SPECIFICATION



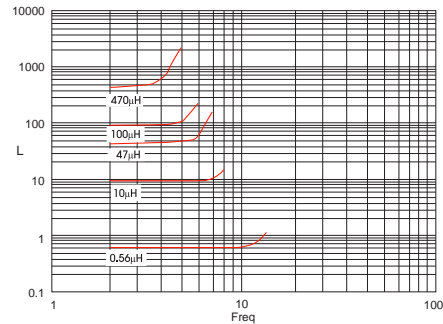
Product Name 1812 WIRE WOUND CERAMIC CHIP INDUCTORS  
 TAMURA Part No. T1812-XXX

Page 2  
 Rev. No. 0

Q VS Freq Plot



L VS Freq Plot



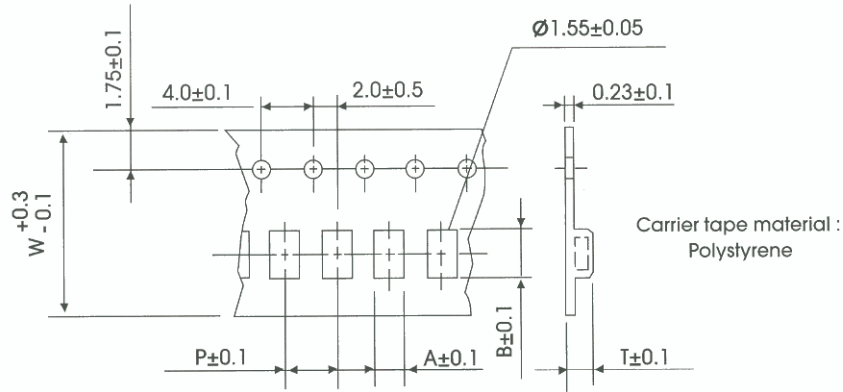
PART No.	Inductance (nH)	Q Min	RDC Max (Ohms)	IDC Max (mA)	SRF Min (MHz)
T1812 - 1R0K	1000@ 7.96MHz	50@ 7.96	0.50	480	310
T1812 - 1R2K	1200@ 7.96MHz	50@ 7.96	0.55	480	230
T1812 - 1R5K	1500@ 7.96MHz	50@ 7.96	0.60	430	210
T1812 - 1R8K	1800@ 7.96MHz	50@ 7.96	0.65	380	190
T1812 - 2R2K	2200@ 7.96MHz	50@ 7.96	0.70	340	170
T1812 - 2R7K	2700@ 7.96MHz	50@ 7.96	0.75	300	160
T1812 - 3R3K	3300@ 7.96MHz	50@ 7.96	0.80	270	145
T1812 - 3R9K	3900@ 7.96MHz	50@ 7.96	0.90	240	130
T1812 - 4R7K	4700@ 7.96MHz	50@ 7.96	1.00	230	115
T1812 - 5R6K	5600@ 7.96MHz	50@ 7.96	1.10	220	100
T1812 - 6R8K	6800@ 7.96MHz	50@ 7.96	1.20	210	90
T1812 - 8R2K	8200@ 7.96MHz	50@ 7.96	1.40	200	80
T1812 - 100K	10000@ 2.52MHz	50@ 2.52	1.60	190	70
T1812 - 120K	12000@ 2.52MHz	50@ 2.52	2.00	310	55
T1812 - 150K	15000@ 2.52MHz	50@ 2.52	2.50	290	45
T1812 - 180K	18000@ 2.52MHz	50@ 2.52	2.80	270	37
T1812 - 220K	22000@ 2.52MHz	50@ 2.52	3.20	260	32
T1812 - 270K	27000@ 2.52MHz	50@ 2.52	3.60	240	27
T1812 - 330K	33000@ 2.52MHz	50@ 2.52	4.00	230	23
T1812 - 390K	39000@ 2.52MHz	50@ 2.52	4.50	210	19
T1812 - 470K	47000@ 2.52MHz	50@ 2.52	5.00	200	16
T1812 - 560K	56000@ 2.52MHz	50@ 2.52	5.50	190	13
T1812 - 680K	68000@ 2.52MHz	50@ 2.52	6.00	180	10
T1812 - 820K	82000@ 2.52MHz	50@ 2.52	7.00	170	9.0
T1812 - 101K	100000@ 0.796MHz	40@ 0.796	8.00	150	8.5
T1812 - 121K	120000@ 0.796MHz	40@ 0.796	8.00	135	8.5
T1812 - 151K	150000@ 0.796MHz	40@ 0.796	9.00	125	8.5
T1812 - 181K	180000@ 0.796MHz	40@ 0.796	9.50	120	8.0
T1812 - 221K	220000@ 0.796MHz	40@ 0.796	10.00	115	6.0
T1812 - 271K	270000@ 0.796MHz	40@ 0.796	12.00	105	5.0
T1812 - 331K	330000@ 0.796MHz	40@ 0.796	14.00	100	4.5
T1812 - 391K	390000@ 0.796MHz	40@ 0.796	18.00	90	3.5
T1812 - 471K	470000@ 0.796MHz	40@ 0.796	26.00	85	3.0
T1812 - 561K	560000@ 0.796MHz	30@ 0.796	30.00	75	2.0
T1812 - 681K	680000@ 0.796MHz	30@ 0.796	30.00	60	1.9
T1812 - 821K	820000@ 0.796MHz	30@ 0.796	35.00	55	1.6
T1812 - 102K	1000000@ 0.252MHz	30@ 0.252	40.00	50	1.5

# PRODUCT SPECIFICATION



Product Name 1812 WIRE WOUND CERAMIC CHIP INDUCTORS Page 3  
 TAMURA Part No. T1812-XXX Rev. No. 0

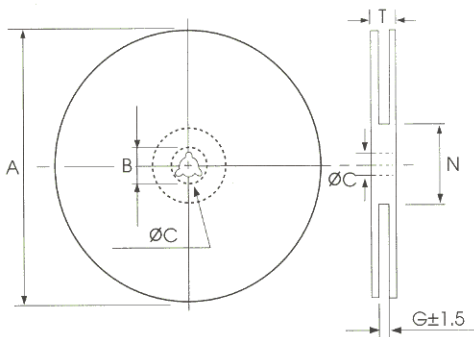
## 3. PACKAGING INFORMATION :



Package Size	A	B	W	P	T	Carrier Material	Tape/Cover Material	Qty. Units / reel	# Reels /Carton	Carton Size (LxWxH)
0402	0.65	1.15	8	2	N/A	plastic	plastic	10,000	36	400*265*238
0603	1.08	1.88	8	4	N/A	plastic	plastic	3000	36	400*265*238
0805	1.50	2.30	8	4	0.3	plastic	plastic	3000	36	400*265*238
1008	N/A	N/A	8	4	0.3	plastic	plastic	2000	36	400*265*238
1210	1.88	3.50	8	4	0.3	plastic	plastic	2000	50	390*215*390
1812	N/A	N/A	12	8	0.3	plastic	plastic	500	40	390*215*390

Dimensions in mm

REEL DIMENSIONS  
 Material: Paper, Plastic



TYPE	8mm	12mm
A	178 ± 2	178 ± 2
B	21.0 ± 0.8	21.0 ± 0.8
C	13.0 ± 0.8	13.0 ± 0.8
G	10.0	14.0
N	75	75
T	12.5	16.5

