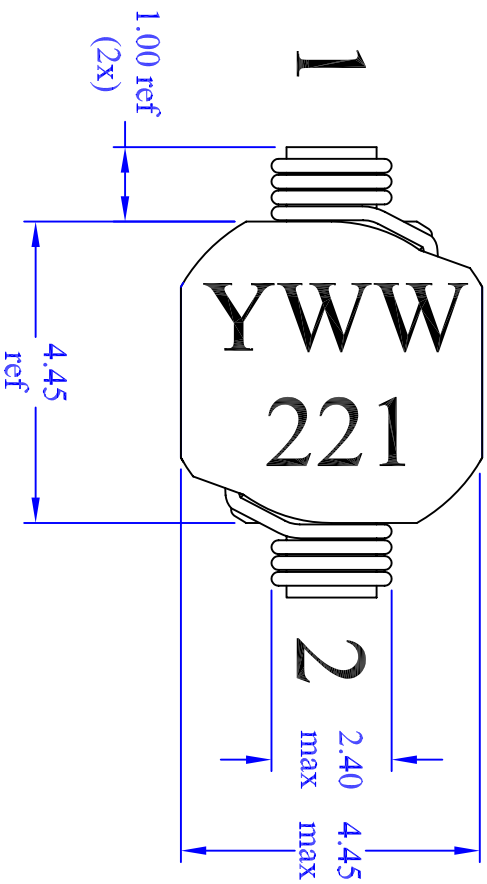
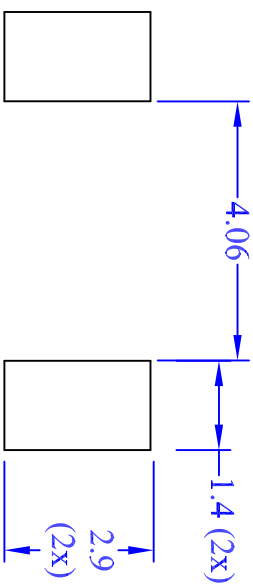


TOP VIEW



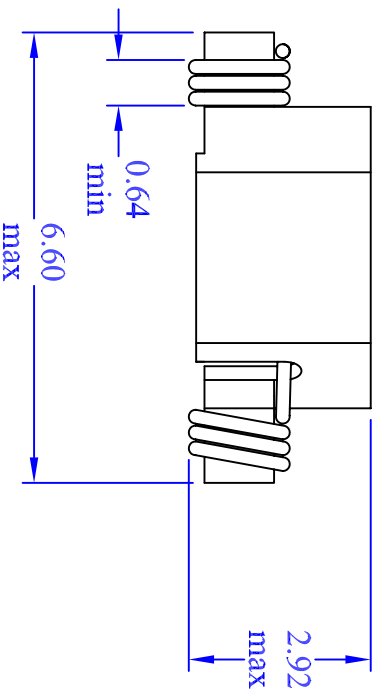
RECOMMENDED PCB LAYOUT



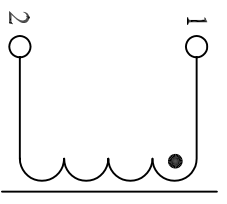
COMPONENT SIDE

OCL@100kHz, 0.25Vrms, 0.04dc: (1-2): 176-264uH
OCL@100kHz, 0.25Vrms, 0.234dc: (1-2): 160uH min.
DCR@20°C:(1-2): 4.6ohms max

FRONT VIEW



SCHEMATIC



Notes:

- 1) All dimensions are in millimeters. Tolerances are 0.127 mm unless otherwise specified.
- 2) Stamp as shown above where:
 YWW = Y: Last digit of Year, WW: Week.
 221 = Inductance value: First 2 digits are inductance value in uH the last digit is number of zeros

Cooper Electronic Technologies

3601 Quantum Boulevard, Boynton Beach, FL. 33426

UP0.4C, Inductor Line, 220uH, .25Arms, .23Asat
 2.92 mm height

| | | |
|------|-----------------|--------------|
| Size | Drawing Number: | UP0.4C-221 |
| A | Revision Level: | X3 |
| | | Sheet 4 of 6 |