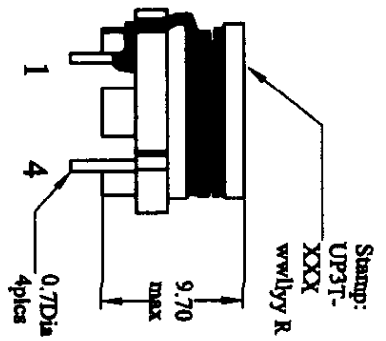
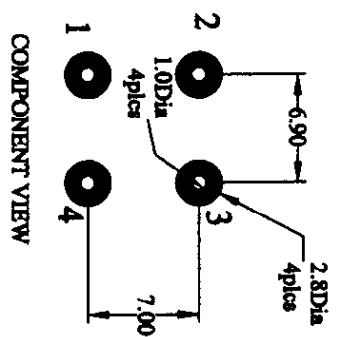


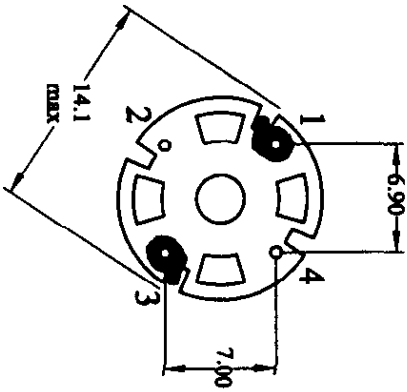
FRONT VIEW



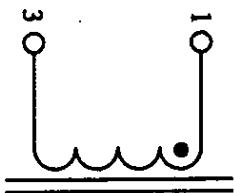
RECOMMENDED PCB LAYOUT



BOTTOM VIEW



SCHEMATIC



Notes:

- 1) All Dimensions are in millimeters unless otherwise specified.
- 2) Tolerances are +/- .2 unless stated otherwise.
- 3) PCB tolerances are +/- 0.1 unless stated otherwise.
- 4) Stamp: Line 1; product code (UP3T), Line 2; (inductance value per family chart)
Line 3; wwllyy (Date Code) R (Revision Level)
- 5) Location of date code is optional.

MASTER

Cooper Electronic Technologies

6000 Park of Commerce Blvd, Boca Raton, FL 33487

Unipac 3T Thru Hole Product Line

9.7mm max height

Family table

Size	Drawing Number:	UP3T Inductor Line
A	Revision Level:	B Sheet 3 of 21

CUSTOMER INFORMATION

UniPac3T (UP3T) Family Table

Part Number	Rated Inductance (μ H)	OCL nominal \pm 20% (μ H)	I _{rms} Amperes for approximately a Δ T of 40°C. @ an ambient temperature of 85°C	I _{sat} Amperes Peak for approximately 30% rolloff.	DCR (Ω) max. @ 20°C.
UP3T-R47	.470	0.452	16.0	25.1	.0026
UP3T-1R0	1.0	1.34	12.5	15.3	.0037
UP3T-1R5	1.5	2.08	10.0	12.0	.0060
UP3T-2R2	2.2	3.01	9.2	10.2	.0081
UP3T-3R3	3.3	3.96	8.0	9.3	.0090
UP3T-4R7	4.7	5.00	6.5	7.7	.0134
UP3T-6R8	6.8	7.70	5.8	6.2	.0189
UP3T-100	10.0	11.00	4.3	5.2	.0286
UP3T-150	15.0	16.38	3.9	4.3	.0350
UP3T-220	22.0	23.93	3.1	3.7	.0525
UP3T-330	33.0	33.85	2.4	3.0	.0720
UP3T-470	47.0	51.00	1.9	2.4	.1117
UP3T-680	68.0	69.50	1.6	2.0	.1558
UP3T-101	100.0	101.4	1.4	1.8	.2053
UP3T-151	150.0	153.1	1.1	1.4	.2998
UP3T-221	253.0	222.8	0.98	1.2	.3987
UP3T-331	380.0	332.8	0.74	0.98	.7133

OCL (Open Circuit Inductance)
Test parameters: 100KHz,
0.25 Vrms, 0.0 Adc

Part number definition:
 First 4 characters = Product code and size.
 Last 3 characters = Inductance in μ H. R=decimal point.
 If no R is present third character = # of zeros.

MASTER

Cooper Electronic Technologies
 6000 Park of Commerce Blvd, Boca Raton, FL 33487

UniPac3T (UP3T) Thru Hole Inductor Line
 9.7 mm max height
 FAMILY TABLE

SIZE A	UP3T Inductor Line
Drawing Number:	B
Revision Level:	Sheet 4 of 21