

SMD Choke Coils

Series: **N**
 Type: **ELC6GN**



Type ELC6GN

■ Features

- Low DC resistance and large current capability

■ Recommended Applications

- DC-DC converter circuitry for computer peripherals and cellular phones.
- Chopper circuit decoupling chokes for DC-DC converter circuitry

■ Standard Packing Quantity

- 1000 pcs./Reel

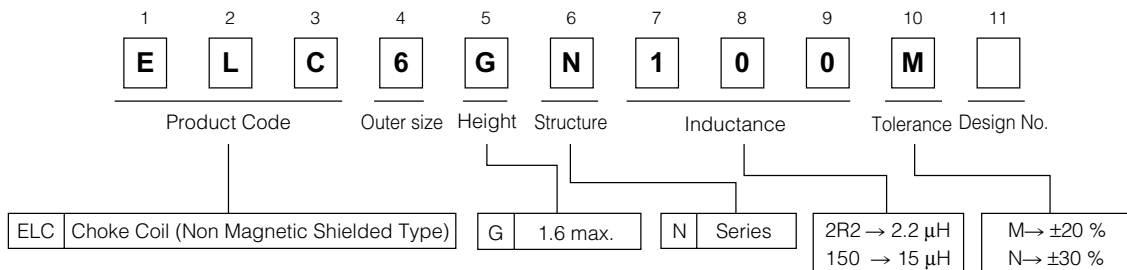
■ Soldering Conditions

Please see Page 169

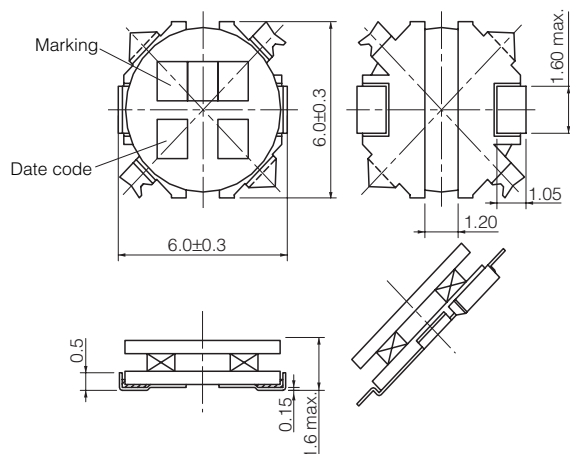
■ Safety Precautions

Please see Page 170

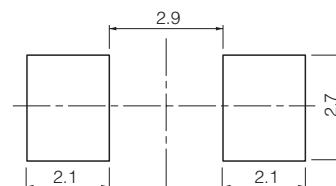
■ Explanation of Part Numbers



■ Dimensions in mm (not to scale)



■ Recommended land patterns in mm (not to scale)



Design and specifications are each subject to change without notice. Ask factory for the current technical specifications before purchase and/or use. Should a safety concern arise regarding this product, please be sure to contact us immediately.

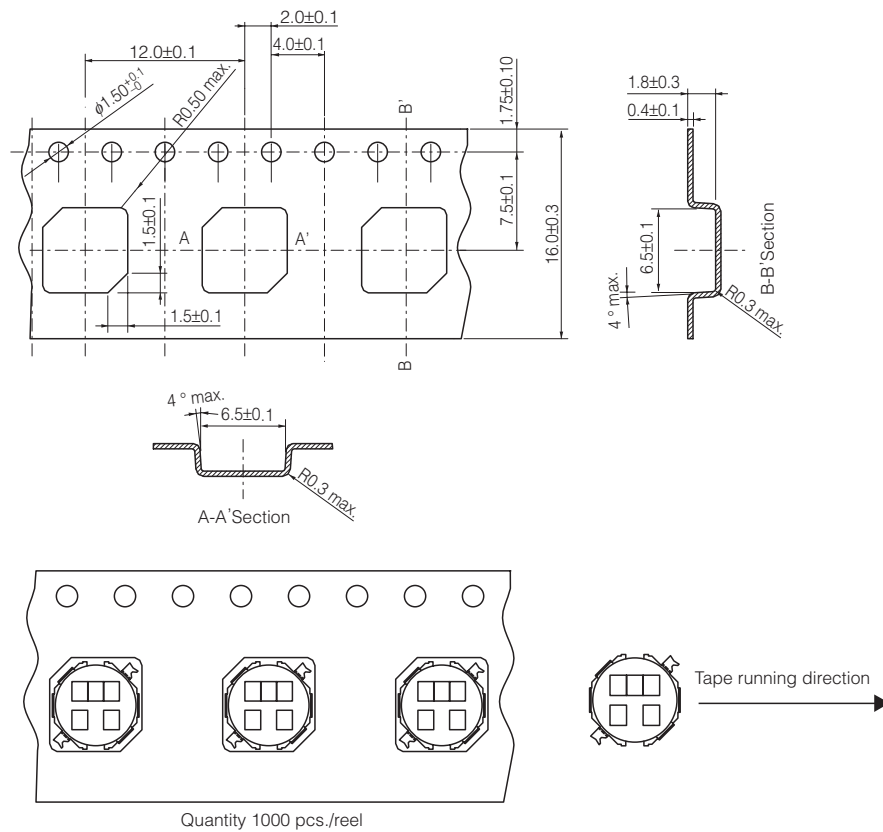
00 Sep. 2010

Standard Parts

Part Number	Inductance (100 kHz)		R _{DC} (at 20 °C)		*Rated Current (mA max.)	Marking
	(μH)	Tol.	(mΩ)	Tol.		
ELC6GN1R2N	1.2	±30 %	38	±20 %	2700	1R2
ELC6GN2R2N	2.2		47		2400	2R2
ELC6GN3R3N	3.3		66		2000	3R3
ELC6GN4R7N	4.7		94		1650	4R7
ELC6GN6R8N	6.8		120		1400	6R8
ELC6GN100M	10.0	±20 %	160		1200	100
ELC6GN220M	22.0		330		800	220
ELC6GN330M	33.0		470		600	330
ELC6GN470M	47.0		660		550	470
ELC6GN560M	56.0		740		500	560
ELC6GN680M	68.0		960		450	680

* Current: This indicates the value of current when the inductance is 70% of nominal value and case temperature has risen 45 °C (at 20 °C)

Embossed Carrier Tape Dimensions in mm (not to scale)



Design and specifications are each subject to change without notice. Ask factory for the current technical specifications before purchase and/or use. Should a safety concern arise regarding this product, please be sure to contact us immediately.

00 Sep. 2010