

Features

- Formerly *JW.Miller* model
- Current rating up to 2.9 A
- Inductance range: 10 μ H to 10,000 μ H
- RoHS compliant*

Applications

- DC/DC converters
- Power supplies
- Desktop notebooks
- Output chokes

RL875 Series - Radial Lead RF Choke

Electrical Specifications (@ 25 °C)

Part Number	Inductance (μ H)	Tol.	Q	Test Frequency		SRF (MHz) Typ.	DCR (Ω) Max.	I dc (mA)
				L	Q			
RL875-100M-RC	10	± 20 %	35	2.52 MHz	2.52M	25	0.05	2900
RL875-120M-RC	12	± 20 %	35	2.52 MHz	2.52M	18	0.06	2500
RL875-150K-RC	15	± 10 %	30	2.52 MHz	2.52M	17	0.07	2200
RL875-180K-RC	18	± 10 %	30	2.52 MHz	2.52M	15	0.08	1900
RL875-220K-RC	22	± 10 %	30	2.52 MHz	2.52M	14	0.09	1800
RL875-270K-RC	27	± 10 %	30	2.52 MHz	2.52M	13	0.11	1700
RL875-330K-RC	33	± 10 %	30	2.52 MHz	2.52M	12	0.13	1500
RL875-390K-RC	39	± 10 %	30	2.52 MHz	2.52M	10	0.14	1300
RL875-470K-RC	47	± 10 %	26	2.52 MHz	2.52M	10	0.15	1300
RL875-560K-RC	56	± 10 %	26	2.52 MHz	2.52M	10	0.18	1200
RL875-680K-RC	68	± 10 %	26	2.52 MHz	2.52M	9.0	0.20	1100
RL875-820K-RC	82	± 10 %	20	2.52 MHz	2.52M	8.0	0.24	1000
RL875-101K-RC	100	± 10 %	20	1.0 KHz	0.796M	7.0	0.28	890
RL875-121K-RC	120	± 10 %	18	1.0 KHz	0.796M	6.5	0.36	810
RL875-151K-RC	150	± 10 %	18	1.0 KHz	0.796M	5.5	0.42	720
RL875-181K-RC	180	± 10 %	18	1.0 KHz	0.796M	5.5	0.57	660
RL875-221K-RC	220	± 10 %	18	1.0 KHz	0.796M	5.0	0.63	570
RL875-271K-RC	270	± 10 %	18	1.0 KHz	0.796M	4.5	0.88	510
RL875-331K-RC	330	± 10 %	20	1.0 KHz	0.796M	4.5	1.05	460
RL875-391K-RC	390	± 10 %	20	1.0 KHz	0.796M	3.5	1.17	440
RL875-471K-RC	470	± 10 %	20	1.0 KHz	0.796M	3.0	1.34	410
RL875-561K-RC	560	± 10 %	20	1.0 KHz	0.796M	3.0	1.72	360
RL875-681K-RC	680	± 10 %	20	1.0 KHz	0.796M	2.5	1.96	330
RL875-821K-RC	820	± 10 %	20	1.0 KHz	0.796M	2.5	2.56	300
RL875-102K-RC	1000	± 10 %	35	1.0 KHz	0.252M	2.0	2.94	270
RL875-122K-RC	1200	± 10 %	35	1.0 KHz	0.252M	2.0	4.04	240
RL875-152K-RC	1500	± 10 %	35	1.0 KHz	0.252M	1.5	4.70	220
RL875-182K-RC	1800	± 10 %	35	1.0 KHz	0.252M	1.5	5.05	200
RL875-222K-RC	2200	± 10 %	35	1.0 KHz	0.252M	1.5	6.25	180
RL875-272K-RC	2700	± 10 %	35	1.0 KHz	0.252M	1.5	8.72	160
RL875-332K-RC	3300	± 10 %	35	1.0 KHz	0.252M	1.0	10.6	150
RL875-392K-RC	3900	± 10 %	35	1.0 KHz	0.252M	1.0	14.2	140
RL875-472K-RC	4700	± 10 %	35	1.0 KHz	0.252M	1.0	16.7	120
RL875-562K-RC	5600	± 10 %	35	1.0 KHz	0.252M	1.0	18.7	110
RL875-682K-RC	6800	± 10 %	35	1.0 KHz	0.252M	1.0	21.8	100
RL875-822K-RC	8200	± 10 %	32	1.0 KHz	0.252M	0.50	28.7	93
RL875-103K-RC	10,000	± 10 %	32	1.0 KHz	0.0796M	0.50	33.0	84

General Specifications

Rated Current Inductance drop 10 %, or temperature rise of 40 °C at I dc
 Operating Temperature -40 °C to +105 °C
 Storage Temperature -40 °C to +105 °C

Materials

Core Material Ferrite
 Wire Enameled copper
 Terminal Coating Sn

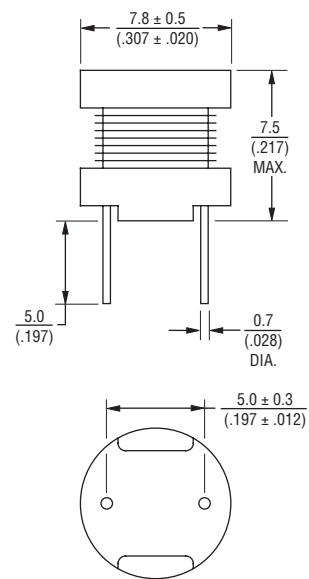
Marking

..... Value code on top of inductor

Packaging

Standard 100 pcs. per bag

Product Dimensions



DIMENSIONS: $\frac{\text{MM}}{(\text{INCHES})}$

How To Order

RL875 - 152K - RC

Model _____
 Value/Tolerance Code (see table) _____
 Compliance Code _____
 RC = RoHS Compliant

Example:

RL875-152K-RC = 1500 μ H, ± 10 %

Electrical Schematic



REV. 09/09

*RoHS Directive 2002/95/EC Jan 27 2003 including Annex.

Specifications are subject to change without notice.

Customers should verify actual device performance in their specific applications