

# Shielded, SMT Power Inductors

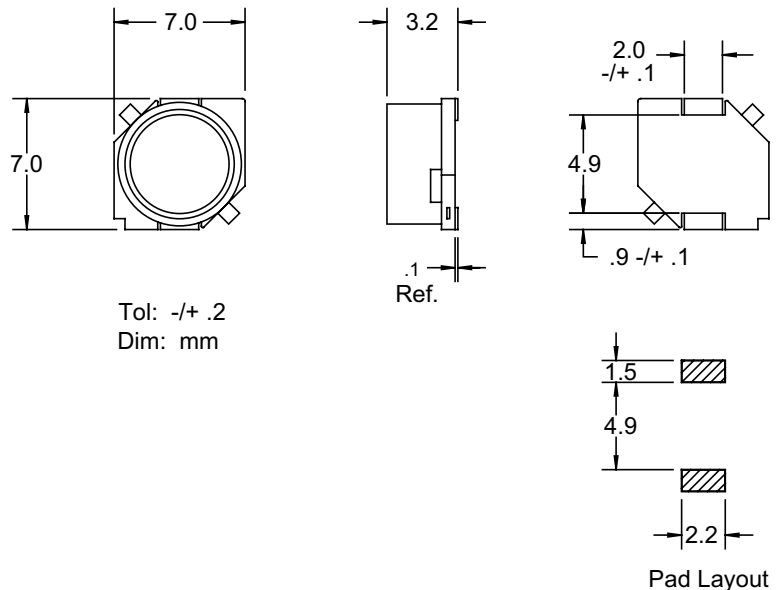
## Special Features

- High current capacity
- Magnetically shielded
- Low DCR
- Ferrite bobbin core
- Low profile, compact size
- High heat resistance, ideal for reflow soldering
- High reliability
- Test frequency 1KHz
- Operating temperature -20 to +85°C
- Saturation current to cause 10% inductance drop
- Rated current to cause 40°C temperature rise
- Tape & reel packaged 1000/reel

PM7032S Series				
Part Number	L (uH) ± 20%	DCR (Ω) Max.	I, sat. (A)	I, rated (A)
PM7032S-3R3M	3.3	0.028	1.9	2.2
PM7032S-4R7M	4.7	0.043	1.7	1.8
PM7032S-6R8M	6.8	0.049	1.6	1.7
PM7032S-101M	10	0.064	1.4	1.5
PM7032S-150M	15	0.09	1.1	1.2
PM7032S-220M	22	0.13	0.96	1.0
PM7032S-330M	33	0.19	0.75	0.86
PM7032S-470M	47	0.29	0.67	0.71
PM7032S-680M	68	0.37	0.59	0.62
PM7032S-101M	100	0.54	0.45	0.51
PM7032S-151M	150	0.78	0.37	0.43
PM7032S-221M	220	1.26	0.29	0.33
PM7032S-331M	330	2.00	0.22	0.26
PM7032S-471M	470	2.46	0.20	0.24
PM7032S-681M	680	3.78	0.16	0.19
PM7032S-102M	1000	5.74	0.13	0.13

## Typical Applications

- High reliability, low magnetic coupling and densely packed board design
- Small cell phones
- PDAs
- Pagers
- Flash memory programmers
- Notebook computers
- Battery chargers
- DC-DC converters
- Network cards
- Switching boards
- Industrial electronics
- Entertainment electronic devices



**J.W. Miller**  
M A G N E T I C S

306 E. Alondra Blvd., Gardena, CA 90247-1059 • (310) 515-1720 • FAX (310) 515-1962

www.jwmiller.com