

Shielded, SMT Power Inductors

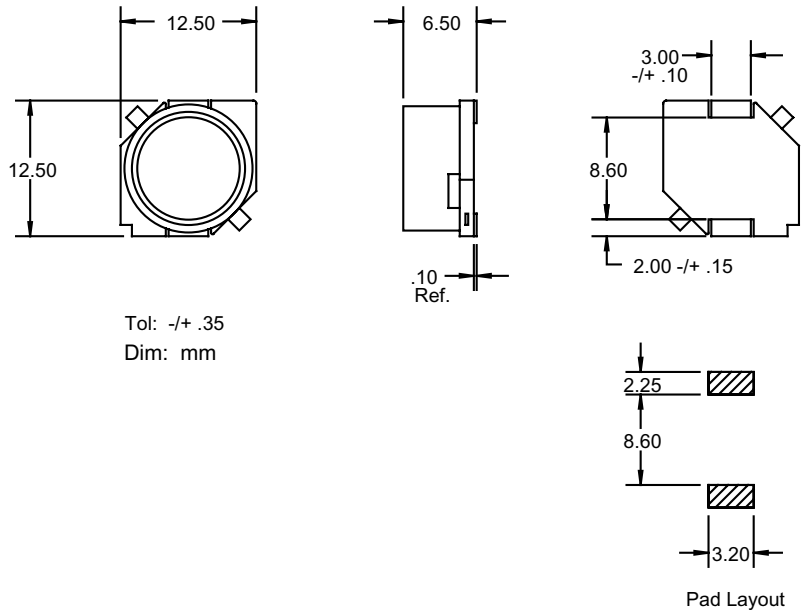
Special Features

- High current capacity
- Magnetically shielded
- Low DCR
- Ferrite bobbin core
- Low profile, compact size
- High heat resistance, ideal for reflow soldering
- High reliability
- Test frequency 1KHz
- Operating temperature -20 to +105°C
- Saturation current to cause 10% inductance drop
- Rated current to cause 40°C temperature rise
- Tape & reel packaged 500/reel

PM12565S Series				
Part Number	L (uH) ± 30%	DCR (Ω) Max.	I, sat. (A)	I, rated (A)
PM12565S-2R0	2	0.014	10.0	6.2
PM12565S-4R2	4.2	0.018	7.3	5.5
PM12565S-7R0	7	0.021	5.7	5
± 20%				
PM12565S-100M	10	0.024	5.0	4.8
PM12565S-150M	15	0.028	4.2	4.4
PM12565S-220M	22	0.038	3.5	3.8
PM12565S-330M	33	0.049	2.8	3.4
PM12565S-470M	47	0.069	2.4	2.8
PM12565S-680M	68	0.094	2.0	2.4
PM12565S-101M	100	0.148	1.6	1.9
PM12565S-221M	220	0.328	1.0	1.2

Typical Applications

- High reliability, low magnetic coupling and densely packed board design
- Small cell phones
- PDAs
- Pagers
- Flash memory programmers
- Notebook computers
- Battery chargers
- DC-DC converters
- Network cards
- Switching boards
- Industrial electronics
- Entertainment electronic devices



J.W. Miller
M A G N E T I C S

306 E. Alondra Blvd., Gardena, CA 90247-1059 • (310) 515-1720 • FAX (310) 515-1962

www.jwmiller.com