

R.F. CHOKES (1531-1536 Series)



Single Layer Coil Type



3-Pi Coil Type

R.F. CHOKES

- All models impregnated with a moisture and fungus resistant varnish.
- Lead length of 1.5" (+/- 0.13")
- Wound for low distributed capacity by using solenoid (single coil) or 3-Pi windings
- All single coil versions include vinyl insulation covering

Part No	Inductance L	L Tolerance	Q Min.	Test Freq.	Self Resonant Min. Freq. MHz	Max D.C. Resist. Ohms	Max D.C. Current ma.	Coil Dia. In.	Core Material	Core Length In.	Coil Type
1531L	2.4 uH	10%	56	7.9 MHz	120	0.19	1500	0.27	Phenolic	0.75	Single
1531R	10 uH	10%	36	7.9 MHz	61	1.5	500	0.27	Phenolic	0.75	Single
1532A	10 uH	5%	69	2.5 MHz	40	0.11	1500	0.29	Iron	0.875	Single
1532B	15 uH	5%	62	2.5 MHz	33	0.17	1000	0.29	Iron	0.875	Single
1532C	24 uH	5%	65	2.5 MHz	25	0.34	800	0.29	Iron	0.875	Single
1532D	39 uH	5%	70	2.5 MHz	0.2	0.65	600	0.29	Iron	0.875	Single
1532E	55 uH	5%	72	2.5 MHz	17	1	500	0.29	Iron	0.875	Single
1532H	100 uH	5%	107	0.79 MHz	12	3	400	0.29	Iron	0.875	Single
1533H	1 mH	5%	59	250 KHz	3.7	19	160	0.563	Phenolic	0.75	3-Pi
1534A	1 mH	5%	83	250 KHz	2.6	8.6	160	0.469	Iron	0.875	3-Pi
1534C	2.4 mH	5%	80	250 KHz	1.7	15	160	0.531	Iron	0.875	3-Pi
1535B	2.5 mH	5%	106	250 KHz	1.3	9	160	0.469	Ferrite	0.875	3-Pi
1535D	5 mH	5%	91	250 KHz	1	14	160	0.531	Ferrite	0.875	3-Pi
1535G	10 mH	5%	108	79 KHz	0.71	31	100	0.531	Ferrite	0.875	3-Pi
1535J	25 mH	5%	102	79 KHz	0.47	82	65	0.531	Ferrite	0.875	3-Pi
1535L	50 mH	5%	113	79 KHz	0.33	127	65	0.625	Ferrite	0.875	3-Pi

Chokes



HEAVY DUTY HASH CHOKES

- Molded powdered iron core
- 1.25" long leads (+/- 0.1")
- High inductance & high current
- L measured at 7.9 Mhz. on 1536D, E and F all others at 1 Khz.
- All chokes include vinyl insulation covering.

Part No.	Inductance +/- 20% uH	D.C. Resistance Ohms	Self Resonant Freq. MHz.	Max D.C. Current Amps	Coil Dia. In.	Core Length In.
1536D	3.35	0.010	45	20	0.53	1.31
1536E	4.90	0.016	42	15	0.50	1.25
1536F	8.80	0.021	28	10	0.50	1.25
1536L	4	0.012	24.30	8	0.31	0.91
1536P	40	0.082	10.4	3	0.31	1.25
1536S	68	0.054	5.70	5	0.53	1.25
1536T	100	0.216	4.10	2	0.31	1.25
1536TA *	100	0.55	-	1	0.80	1.10
1536W	125	0.08	2.65	3.5	0.50	1.25
1536X	250	0.17	1.50	2.5	0.43	1.25
1536Y	500	0.26	1.17	2	0.56	1.25
1536Z	1000	0.55	-	1	0.50	1.03

* Dual choke - all electrical values are for both sections

EUROPE

Basingstoke, UK 01256 812812

AUSTRALIA

Queenstown, Australia 61-8-8240-2244

www.hammondmfg.com



CANADA

Guelph, Ontario (519) 822-2960
St. Laurent, Quebec (514) 343-9010

USA

Cheektowaga, NY (716) 630-7030



R.F. CHOKES (1537-1538 Series)

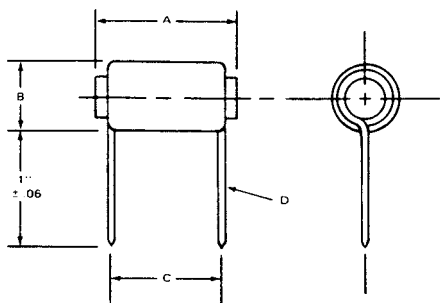
HIGH CURRENT CHOKES

- Large ferrite core for extended saturation point, optimum frequency range .01-2 Mhz.
- 1.5" long leads (+/- 0.1")
- Test frequency 1 KHz.
- Core length 1.25". Coil is covered with vinyl shrink sleeve.

Chokes



Part No.	Inductance +/- 5% uH	Min. Q	D.C. Resistance Ohms	Max. D.C. Current Amps	Coil Dia. In.	Lead Dia. Gauge
1537E	10	4.5	0.006	20	0.63	14
1537F	20	6.5	0.013	12.5	0.60	16
1537G	30	5.3	0.024	8	0.58	18
1537H	40	5.2	0.039	5	0.57	20
1537J	50	3.4	0.064	3.2	0.56	20
1537K	75	3.2	0.128	2	0.54	20
1537L	100	10.5	0.05	8	0.71	18
1537M	250	12.0	0.114	5	0.69	18
1537N	500	11.6	0.26	3.2	0.65	20
1537P	750	10.0	0.465	2	0.61	20
1537R	1000	7.4	0.83	1.25	0.59	20



EMI/RFI CHOKES

- High saturation flux density ferrite rods.
- 1" long leads, tinned to within 1/8" of body.
- Ideal for filtering or energy storage inductors.
- Inductance measured at @ 1Khz. with 0 amps. D.C. current, typical inductance change is less than 5% @ twice rated current.



Part No.	Inductance L uH +/- 10%	Fo Min. MHz	R - D.C. Max. Ohms	I - D.C. Max. Amps	Max. Dim. A	Max. Dim. B	Typ. Dim. C	Typ. Dim. D
1538M01	5	32.4	0.013	10	0.88	0.63	0.50	0.042
1538M02	10	21.6	0.017	9	1.12	0.63	0.69	0.042
1538M03	27	5.6	0.03	7	0.88	0.81	0.44	0.042
1538M04	50	3.44	0.04	5.6	0.88	0.81	0.75	0.042
1538M05	100	2.08	0.061	4.9	1.12	0.81	0.94	0.042
1538M06	150	1.84	0.069	4.6	1.38	0.81	1.06	0.042
1538M07	250	1.1	0.089	4	1.62	0.81	1.31	0.042
1538M08	5	27.2	0.009	14	0.88	0.64	0.75	0.053
1538M09	10	21.7	0.012	12	1.12	0.64	1.00	0.053
1538M10	27	5.6	0.022	9	0.88	0.88	0.56	0.053
1538M11	50	4.4	0.028	8	1.12	0.88	0.75	0.053
1538M12	68	3.6	0.034	7.3	1.12	0.88	0.88	0.053
1538M13	100	2.4	0.038	6.8	1.38	0.88	1.00	0.053
1538M14	150	1.6	0.046	6.3	1.62	0.88	1.25	0.053
1538M15	5	34.7	0.006	19	1.12	0.69	0.81	0.065
1538M16	10	20	0.008	16	1.38	0.94	1.22	0.065
1538M17	27	6.2	0.014	12.5	1.12	0.94	0.69	0.065
1538M18	50	3.8	0.02	10.5	1.38	0.94	0.94	0.065
1538M19	68	3.2	0.023	10	1.38	0.94	1.12	0.065
1538M20	100	2.2	0.027	10	1.62	0.94	1.31	0.065
1538M21	5	30.8	0.004	23	1.38	0.72	0.94	0.082
1538M22	10	20	0.006	20	1.69	0.72	1.50	0.082
1538M23	27	6.4	0.010	15	1.38	1.00	0.94	0.082
1538M24	50	3.5	0.013	15	1.62	1.00	1.12	0.082



CANADA
Guelph, Ontario (519) 822-2960
St. Laurent, Quebec (514) 343-9010
USA
Cheektowaga, NY (716) 630-7030

www.hammondmfg.com



EUROPE
Basingstoke, UK 01256 812812

AUSTRALIA
Queenstown, Australia 61-8-8240-2244