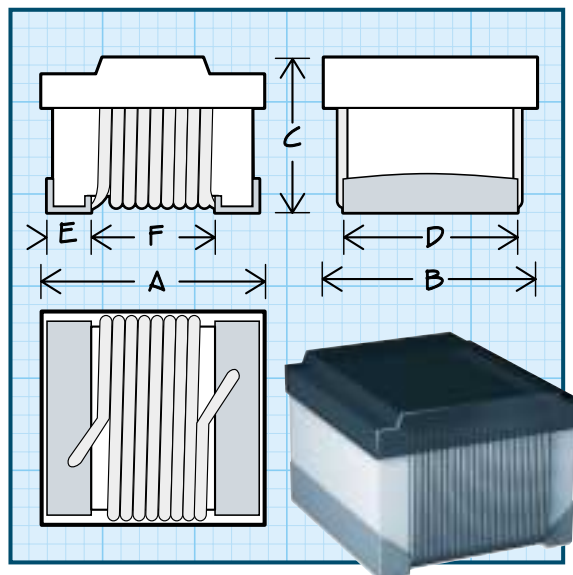


Series 0603 Open Construction Wirewound Surface Mount Inductors



Physical Parameters

	Inches	Millimeters
A	0.071 Max.	1.80 Max.
B	0.045 Max.	1.14 Max.
C	0.040 Max.	1.02 Max.
D	0.030 (Ref. only)	0.76 (Ref. only)
E	0.018 (Ref. only)	0.44 (Ref. only)
F	0.040 (Ref. only)	1.03 (Ref. only)
G	0.040	1.03
H	0.025	0.64
I	0.025	0.64

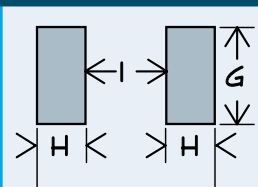
Operating Temperature Range -40°C to +125°C

Standard Termination 90/10 Solder

Inductance and Q tested on HP4291A using HP16193A test fixture

Packaging Tape & reel (8mm): 7" reel, 4000 pieces max.

LAND PATTERN DIMENSIONS



PART NUMBER	SERIES 0603 CERAMIC CORE					
	INDUCTANCE (nH) ±10%	Q MINIMUM	INDUCTANCE & Q TEST FREQUENCY (MHz)	SRF MINIMUM (MHz)	DC RESISTANCE MAXIMUM (OHMS)	CURRENT RATING MAXIMUM (mA)
0603-1N6K	1.6	16	250	6000	0.040	700
0603-1N8K	1.8	16	250	6000	0.045	700
0603-3N3K	3.3	22	250	6000	0.080	700
0603-3N6K	3.6	22	250	5800	0.063	700
0603-3N9K	3.9	22	250	6000	0.080	700
0603-4N3K	4.3	22	250	5800	0.063	700
0603-4N7K	4.7	25	250	5800	0.120	700
0603-5N1K	5.1	20	250	5800	0.160	700
0603-5N6K	5.6	20	250	5800	0.170	700
0603-6N8K	6.8	27	250	5800	0.110	700
0603-7N5K	7.5	27	250	4800	0.110	700
0603-8N2K	8.2	27	250	4800	0.110	700
0603-8N7K	8.7	27	250	4800	0.110	700
0603-9N5K	9.5	27	250	4800	0.130	700
0603-10NK	10	31	250	4800	0.130	700
0603-11NK	11	31	250	4000	0.086	700
0603-12NK	12	35	250	4000	0.130	700
0603-15NK	15	35	250	4000	0.170	700
0603-16NK	16	35	250	3300	0.110	700
0603-18NK	18	35	250	3100	0.170	700
0603-22NK	22	38	250	3000	0.190	700
0603-24NK	24	38	250	2800	0.130	700
0603-27NK	27	40	250	2800	0.220	600
0603-30NK	30	40	250	2800	0.150	600
0603-33NK	33	40	250	2300	0.220	600
0603-36NK	36	40	250	2300	0.250	600
0603-39NK	39	40	250	2200	0.250	600
0603-43NK	43	38	200	2000	0.280	600
0603-47NK	47	38	200	2000	0.280	600
0603-56NK	56	38	200	1900	0.310	600
0603-68NK	68	37	200	1700	0.340	600
0603-72NK	72	34	150	1700	0.490	400
0603-82NK	82	34	150	1700	0.540	400
0603-101K	100	34	150	1400	0.580	400
0603-111K	110	32	150	1350	0.610	300
0603-121K	120	32	150	1300	0.650	300
0603-151K	150	32	100	1300	0.950	280
0603-181K	180	25	100	1200	1.400	250
0603-221K	220	25	100	1200	1.600	250
0603-271K	270	25	100	900	2.100	200

Optional Tolerances: 9.5nH & Lower J = 5%
All Other Values: J = 5% G = 2%