

SMD SHIELDED POWER INDUCTOR



6.7 x 6.7 x 3mm

ASPI - 0602S



RoHS
Compliant

FEATURES:

- Compact size: 6.7X6.7X3.0mm
- Magnetically shielded, surface mount inductor
- Large DC current & low DC resistance

APPLICATIONS:

- Excellent for power line DC-DC
- Conversion applications used in hard disk notebook computers and other electronic equipment .

ELECTRICAL SPECIFICATIONS:

ABRACON P/N: **ASPI-0602S-xxx**
 Operating Temperature: **-40°C to +85°C**
 Storage Temperature: **-40°C to +85°C, 70% RH max.**

Part Number ASPI-0602S-	L (μH) ±20%	DCR (Ω) Max	I _{DC} (A) Max
3R3	3.3	0.040	3.00
3R0	3.0	0.024	3.00
3R9	3.9	0.027	2.60
5R0	5.0	0.031	2.40
6R0	6.0	0.035	2.25
7R3	7.3	0.054	2.10
8R6	8.6	0.058	1.85
100	10	0.065	1.70
120	12	0.070	1.55
150	15	0.084	1.40
180	18	0.095	1.32
220	22	0.128	1.20
270	27	0.142	1.05
330	33	0.165	0.97
390	39	0.210	0.86
470	47	0.238	0.80
560	56	0.277	0.73
680	68	0.304	0.65
820	82	0.390	0.60
101	100	0.535	0.54

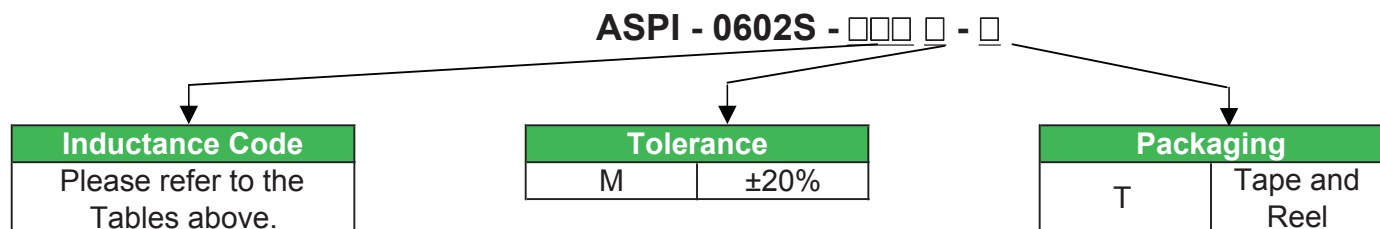
NOTE

Testing Condition:
 10KHz, 0.25V
 IDC: Inductance decreases to 65% of initial value or Δ T
 of coil increased by 30°C

TEST EQUIPMENT

AGILENT 4294A Precision Impedance Analyzer
 ZENTECH 3302 Automatic Components Analyzer
 ZENTECH 1320 BIAS CURRENT
 ZENTECH 502AC Resistance Meter

OPTIONS AND PART IDENTIFICATION:



ABRACON
CORPORATION

Visit www.abracon.com for Terms & Conditions of Sale **Revised: 06.29.09**
 30332 Esperanza, Rancho Santa Margarita, California 92688
 tel 949-546-8000 | fax 949-546-8001 | www.abracon.com

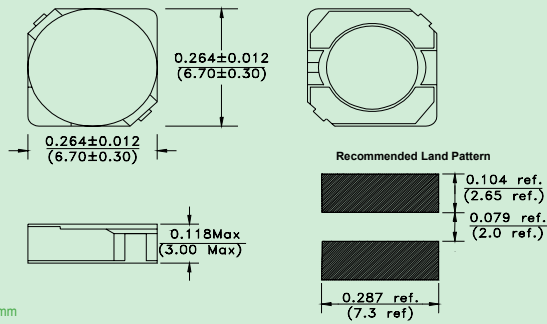
SMD SHIELDED POWER INDUCTOR

ASPI - 0602S



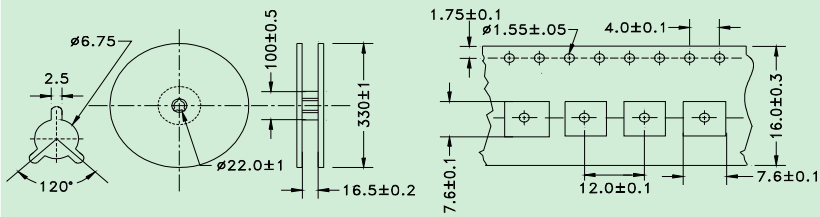
6.7 x 6.7 x 3mm

OUTLINE DRAWING:

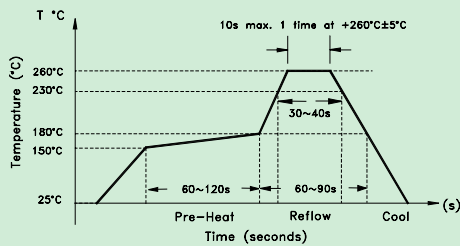


Dimension : Inches/mm

TAPE & REEL: Tape and reel 1,000pcs/reel



REFLOW PROFILE:



ABRACON IS
ISO 9001 / QS 9000
CERTIFIED



Visit www.abracon.com for Terms & Conditions of Sale Revised: 06.29.09
30332 Esperanza, Rancho Santa Margarita, California 92688
tel 949-546-8000 | fax 949-546-8001 | www.abracon.com