

SMD SHIELDED POWER INDUCTOR

ASPI-0704S



RoHS
Compliant



7.3 x 7.3 x 4.5mm

FEATURES:

- Superior to be high saturation for surface mounting
- Low resistance to keep power loss minimum
- Magnetic shielded for low radiation
- Compact size
- Ferrite bobbin core

APPLICATIONS:

- Desktop, notebook, servers
- Network hubs, bridges, routers
- XDSL, PBX base stations
- GPS system
- Digital TV, DVD, Modem, setup box
- Battery charger
- Electronic game devices

STANDARD SPECIFICATIONS:

PARAMETERS

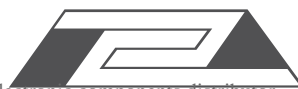
ABRACON P/N:	ASPI-0704S-xxx Series
Operating temperature:	-40°C to +85°C
Storage temperature:	-40°C to +85°C

Part Number	Inductance	Test Frequency	DC Resistance	IDC
	(μ H)	(kHz)	(Ω)	(A)
ASPI-0704S-2R2M	2.2	100	0.028	5.00
ASPI-0704S-100M	10	100	0.049	1.84
ASPI-0704S-120M	12	100	0.058	1.71
ASPI-0704S-150M	15	100	0.081	1.47
ASPI-0704S-180M	18	100	0.091	1.31
ASPI-0704S-220M	22	100	0.110	1.23
ASPI-0704S-270M	27	100	0.150	1.12
ASPI-0704S-330M	33	100	0.170	0.96
ASPI-0704S-390M	39	100	0.230	0.91
ASPI-0704S-470M	47	100	0.260	0.88
ASPI-0704S-560M	56	100	0.350	0.75
ASPI-0704S-680M	68	100	0.380	0.69
ASPI-0704S-820M	82	100	0.430	0.61
ASPI-0704S-101M	100	100	0.610	0.60
ASPI-0704S-121M	120	100	0.660	0.52
ASPI-0704S-151M	150	100	0.880	0.46
ASPI-0704S-181M	180	100	0.980	0.42
ASPI-0704S-221M	220	100	1.170	0.36
ASPI-0704S-271M	270	100	1.640	0.34
ASPI-0704S-331M	330	100	1.860	0.32
ASPI-0704S-391M	390	100	2.850	0.29
ASPI-0704S-471M	470	100	3.010	0.26
ASPI-0704S-561M	560	100	3.620	0.23
ASPI-0704S-681M	680	100	4.630	0.22
ASPI-0704S-821M	820	100	5.200	0.20
ASPI-0704S-102M	1000	100	6.000	0.18

Test Conditions

1. Inductance Decrease Current: The current at inductance \neq 25% drop of initial value
2. Inductance: AGILENT 4294A Precision Impedance Analyzer
3. ZENTECH 3302 Automatic Components Analyzer
4. ZENTECH 502AC Resistance Meter
5. ZENTECH 1320 BIAS CURRENT

ABRACON IS
ISO9001:2008
CERTIFIED



ABRACON
CORPORATION

Visit www.abracon.com for Terms & Conditions of Sale **Revised: 12.20.10**
30332 Esperanza, Rancho Santa Margarita, California 92688
tel 949-546-8000 | fax 949-546-8001 | www.abracon.com

SMD SHIELDED POWER INDUCTOR



7.3 x 7.3 x 4.5mm

ASPI-0704S



RoHS
Compliant

PART NUMBER IDENTIFICATION:

(Left Blank if Standard)

ASPI-0704S- -

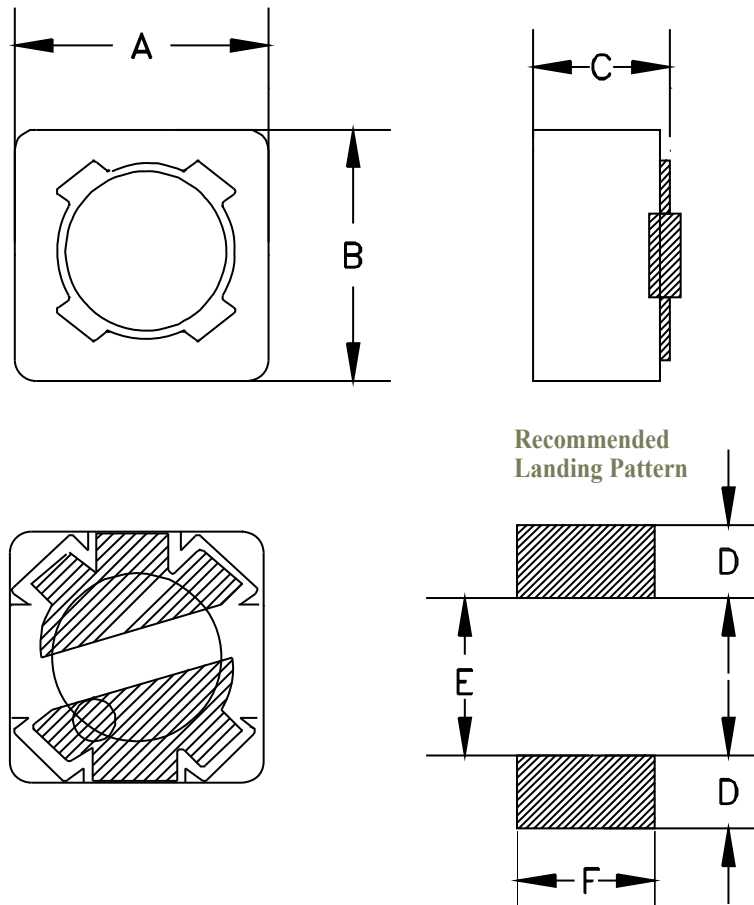
Inductance Code

Please refer to the table above

Packaging

T: Tape and Reel
(1kpcs / reel)

OUTLINE DRAWING:



Dimensions: Inches (mm)

Part#	A	B	C	D	E	F
ASPI-0704S-xxx	0.287±0.008 (7.3±0.2)	0.287±0.008 (7.3±0.2)	0.177 max (4.5 max.)	0.063 (1.60)	0.189 (4.80)	0.09 (2.20)



SMD SHIELDED POWER INDUCTOR



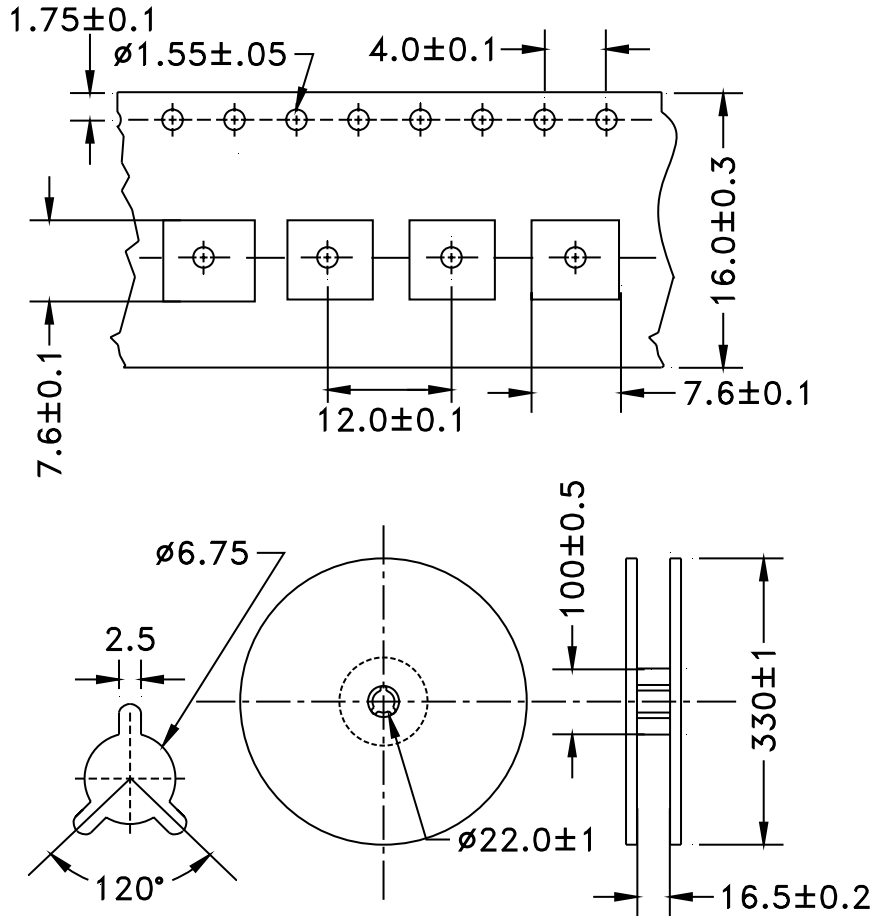
7.3 x 7.3 x 4.5mm

ASPI-0704S



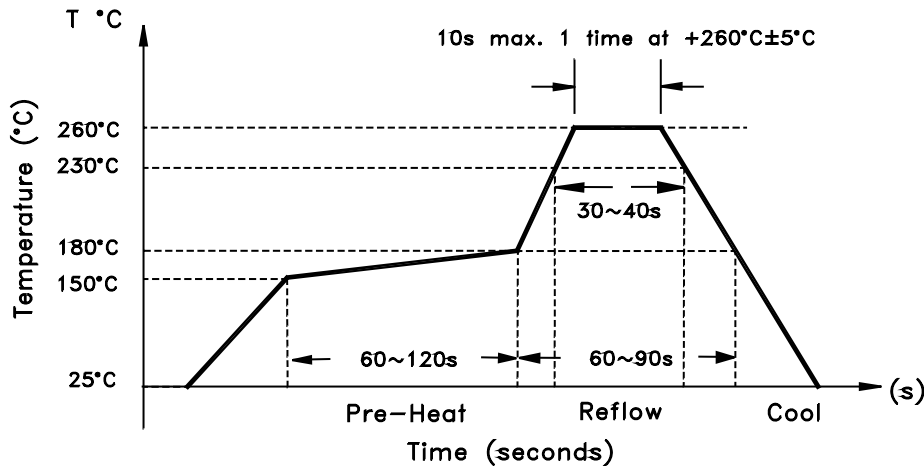
TAPE AND REEL:

T= tape and reel
(1,000pcs/reel)



Dimension: mm

REFLOW PROFILE:



ATTENTION: Abracon Corporation's products are COTS – Commercial-Off-The-Shelf products; suitable for Commercial, Industrial and, where designated, Automotive Applications. Abracon's products are not specifically designed for Military, Aviation, Aerospace, Life-dependant Medical applications or any application requiring high reliability where component failure could result in loss of life and/or property. For applications requiring high reliability and/or presenting an extreme operating environment, written consent and authorization from Abracon Corporation is required. Please contact Abracon Corporation for more information.

ABRACON IS
ISO9001:2008
CERTIFIED



**ABRACON
CORPORATION**

Visit www.abracon.com for Terms & Conditions of Sale **Revised: 12.20.10**
30332 Esperanza, Rancho Santa Margarita, California 92688
tel 949-546-8000 | fax 949-546-8001 | www.abracon.com