

THRU-HOLE POWER INDUCTORS

AIUR-03, AIUR-04 SERIES



FEATURES:

- Ferrite core with heat shrink tube
- High Reliability

OPTIONS:

- Bulk Pack is standard

APPLICATIONS:

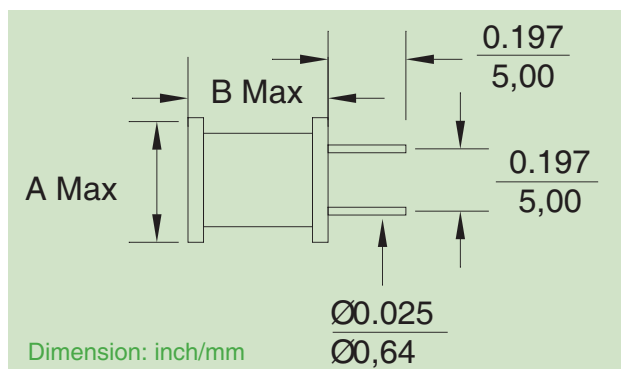
- Electronic Appliance
- Noise Filtering

STANDARD SPECIFICATIONS:

Part Number AIUR-03	L (μH)	Q Min	Test Freq (MHz)	R _{DC} (Ω) Max	I _{DC} (A) Max	SRF (MHz) Min
1R0K	1.0	20	7.96	0.013	10.0	150
1R5K	1.5	20	7.96	0.016	8.5	130
2R2K	2.2	20	7.96	0.021	6.5	100
3R3K	3.3	20	7.96	0.025	5.5	79
4R7K	4.7	20	7.96	0.030	4.3	51
6R8K	6.8	20	7.96	0.035	3.7	29
100K	10	50	2.52	0.045	3.0	14
120K	12	50	2.52	0.050	2.7	13
150K	15	50	2.52	0.056	2.3	12
180K	18	40	2.52	0.061	2.2	11
220K	22	40	2.52	0.070	2.0	9.2
270K	27	40	2.52	0.080	1.7	8.5
330K	33	30	2.52	0.090	1.6	7.8
390K	39	30	2.52	0.10	1.5	6.9
470K	47	30	2.52	0.16	1.4	6.5
560K	56	30	2.52	0.18	1.3	5.4
680K	68	30	2.52	0.21	1.2	4.9
820K	82	30	2.52	0.23	1.1	4.1
101K	100	20	0.796	0.28	0.91	3.7
121K	120	20	0.796	0.32	0.84	3.4
151K	150	20	0.796	0.37	0.75	3.2
181K	180	20	0.796	0.58	0.69	2.8
221K	220	20	0.796	0.65	0.64	2.7
331K	330	20	0.796	0.85	0.54	2.3
391K	390	20	0.796	1.00	0.48	2.1
471K	470	20	0.796	1.10	0.46	1.9
561K	560	20	0.796	1.40	0.41	1.8
681K	680	20	0.796	1.60	0.38	1.6
821K	820	20	0.796	1.80	0.35	1.5
102K	1000	50	0.252	2.90	0.29	1.3

Part Number AIUR-04-	L (μH)	Q Min	Test Freq (KHz)	R _{DC} (Ω) Max	I _{DC} (mA) Max	SRF (MHz) Min
101J	100	80	796	2	200	5.3
121J	120	80	796	2	200	4.5
151J	150	80	796	2	200	3.8
181J	180	80	796	3	200	3.3
221J	220	80	796	3	200	2.9
271J	270	80	796	3	200	2.6
331J	330	80	796	4	200	2.3
391J	390	80	796	4	200	2.1
471J	470	80	796	4	200	1.9
561J	560	80	796	4	200	1.7
681J	680	80	796	4	200	1.6
821J	820	80	796	6	200	1.4
102J	1000	90	252	6	150	1.3
122J	1200	90	252	9	150	1.2
152J	1500	90	252	9	150	1.1
182J	1800	90	252	9	100	1.0
222J	2200	90	252	13	100	0.9
272J	2700	90	252	13	100	0.8
332J	3300	90	252	13	100	0.7
392J	3900	90	252	13	50	0.7
472J	4700	90	252	18	50	0.6
562J	5600	90	252	18	50	0.6
682J	6800	90	252	26	50	0.5
822J	8200	90	252	26	50	0.5
103J	10000	100	79.6	40	40	0.4
123J	12000	100	79.6	40	40	0.4
153J	15000	100	79.6	60	40	0.4
183J	18000	100	79.6	60	30	0.3
223J	22000	100	79.6	80	30	0.3
273J	27000	100	79.6	80	30	0.3

PHYSICAL CHARACTERISTICS:



	A	B
AIUR-03	0.335 8,50	0.433 11,00
AIUR-04	0.315 8,00	0.441 11,20

TECHNICAL INFORMATION:

- Operating Temperature: -40°C to +105°C
- Storage Temperature: -40°C to +125°C
- Marking: Value and tolerance
- Tolerance: J=±5%, K=±10%
- Letter suffix indicates standard tolerance
- L drops 10% typical @ IDC from initial value
- Check SCD for detail E&M specification

Note: All specifications subject to change without notice.