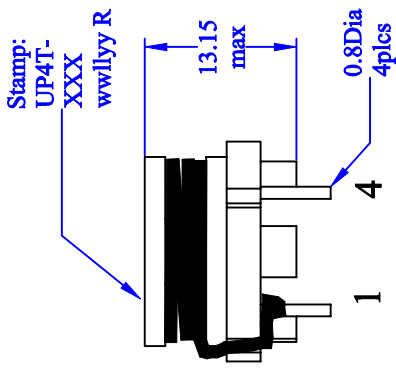
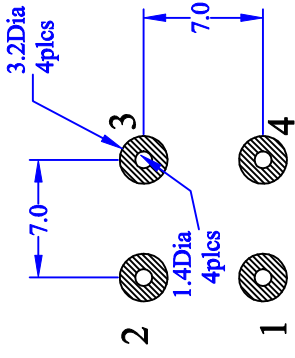


FRONT VIEW

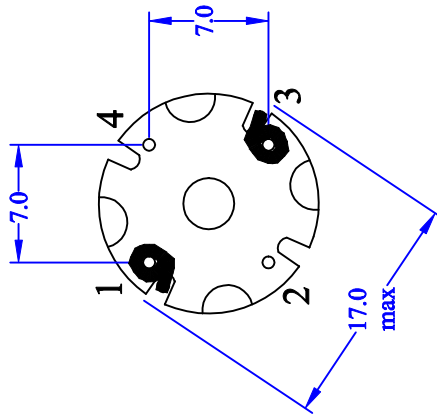


RECOMMENDED PCB LAYOUT

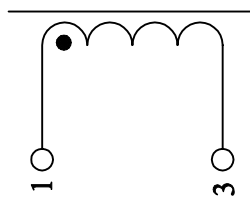


COMPONENT VIEW

BOTTOM VIEW



SCHEMATIC



Notes:

- 1) All Dimensions are in millimeters unless otherwise specified.
- 2) Tolerances are +/- .2 unless stated otherwise.
- 3) PCB tolerances are +/- 0.1 unless stated otherwise.
- 4) Stamp: Line 1; product code (UP4T), Line 2; (inductance value per family chart) Line 3; wwlllyy (Date Code) R (Revision Level)
- 5) Location of date code is optional.

COILTRONICS, INCORPORATED

6000 Park of Commerce Blvd, Boca Raton, FL 33487

Unipac 4T Thru Hole Product Line
13.15mm max height
Family table

Size
A

Drawing Number: UP4T Inductor Line
Revision Level: A Sheet 3 of 22