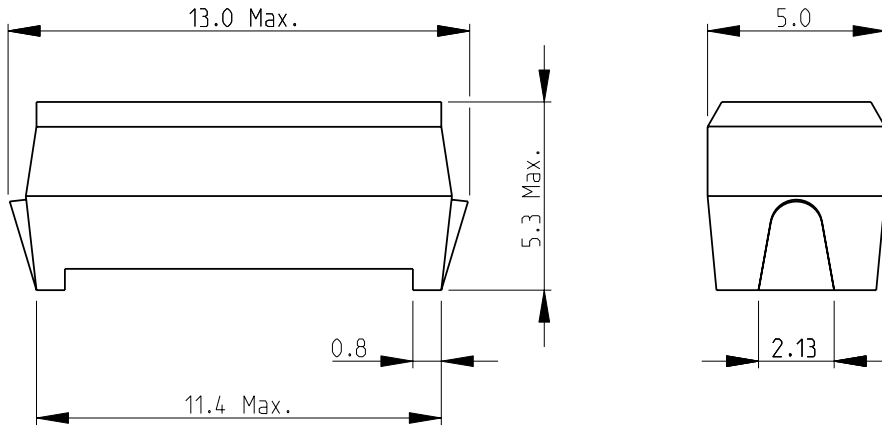


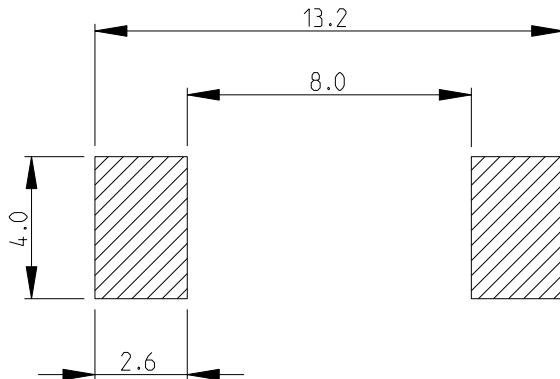
LOC	DIST	REVISIONS					
E	B	P	LTR	DESCRIPTION	DATE	DWN	APVD
			BA	NEW RELEASE	13-NOV-08	SM	St.P



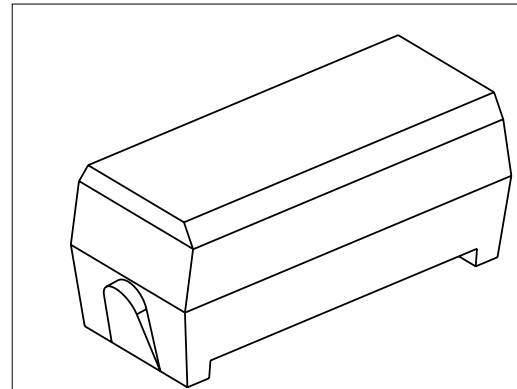
1 PACKAGING: SUPPLIED TAPED AND REELED ON 13" REELS IN QUANTITIES OF 1500 PIECES

2 FOR FURTHER INFORMATION SEE DATA SHEET FOR 3615 SERIES-HIGH CURRENT INDUCTOR SMD

RECOMMENDED LAND PATTERN



RoHS Compliant



2008

RELEASED FOR PUBLICATION

THIS DRAWING IS UNPUBLISHED.

BY TYCO ELECTRONICS CORPORATION. ALL RIGHTS RESERVED.
COPYRIGHT 2008

DIMENSIONS:		DWN	13-NOV-08	MATERIAL	FINISH		
mm		SUBHASH.M		-			
TOLERANCES UNLESS OTHERWISE SPECIFIED:		CHK	13-NOV-08	Tyco Electronics Corporation Dorcan, Swindon, SN3 5HH			
0 PLC ±0.2		PRAKASH.S					
1 PLC ±0.1		APVD	13-NOV-08	NAME HIGH CURRENT INDUCTOR SMD SERIES 3615			
2 PLC ±-		STEPHEN.P					
3 PLC ±-		PRODUCT SPEC	-	SIZE CAGE CODE DRAWING NO RESTRICTED TO A 4 00779 ©= 1624097 -			
4 PLC ±-		APPLICATION SPEC	-				
ANGLES ±5°		WEIGHT	0.7g max.	SCALE 5:1 SHEET 1 OF 1 REV BA			
		CUSTOMER DRAWING					