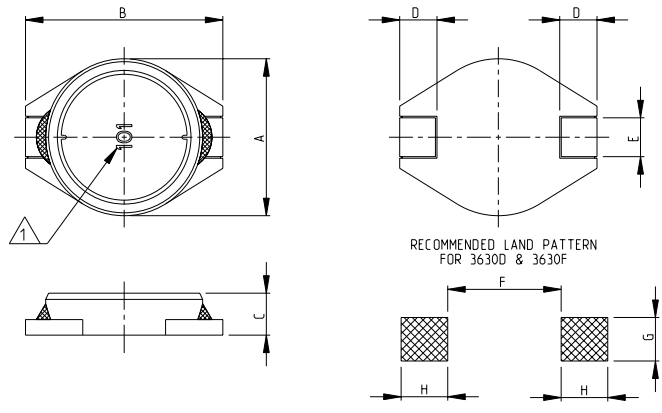


THIS DRAWING IS UNPUBLISHED. RELEASED FOR PUBLICATION 2008
 BY TYCO ELECTRONICS CORPORATION, ALL RIGHTS RESERVED.

LOC	DIST	REVISIONS			
P	LTR	DESCRIPTION	DATE	DWN	APVD
BA		NEW RELEASE	14-NOV-08	SM	ST.P

SERIES 3630D & 3630F AS SHOWN



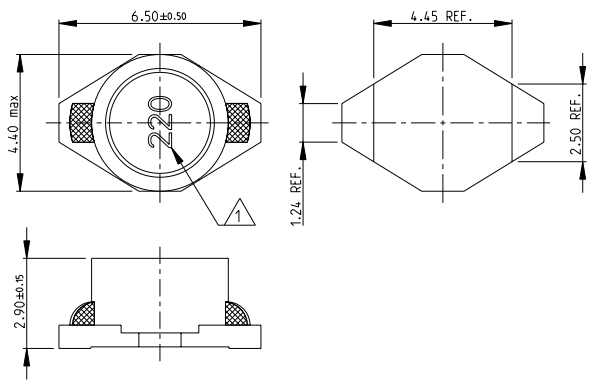
- 1 INDUCTANCE CODE
- 2 FOR FURTHER INFORMATION SEE DATA SHEET FOR 3621 SERIES-POWER INDUCTORS

RoHS Compliant

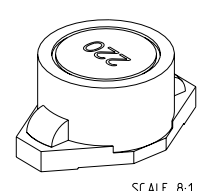


3630F	14.0±0.5	18.3±0.5	6.8±0.3	2.5±0.2	2.6±0.2	12.7	2.9	3.2
3630D	10.1±0.2	12.7±0.2	2.7±0.3	2.4±0.2	2.5±0.2	7.3	2.8	3.0
SERIES	A	B	C	D	E	F (REF)	G (REF)	H (REF)

SCALE 8:1 SERIES 3630E AS SHOWN

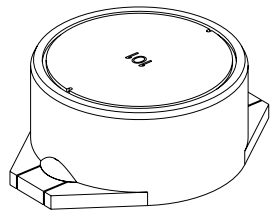


SERIES 3630E AS SHOWN



SCALE 8:1

SERIES 3630F AS SHOWN



<small>THIS DRAWING IS A CONTROLLED DOCUMENT FOR TYCO ELECTRONICS CORPORATION. IT IS SUBJECT TO CHANGE AND THE CONTROLLING ENGINEERING ORGANIZATION SHOULD BE CONTACTED FOR THE LATEST REVISION.</small>		DWN 14-NOV-08 CHK SUBHASH.M 14-NOV-08 PRKASH.S APVD 14-NOV-08 STEPHEN.P PRODUCT SPEC APPLICATION SPEC WEIGHT CUSTOMER DRAWING	NAME SHIELDED SMD POWER INDUCTORS SERIES 3630 SIZE A3 CAGE CODE 00779 DRAWING NO C-1676941 RESTRICTED TO - SCALE 4:1 SHEET 1 OF 1 REV BA	Tyco Electronics Corporation Dorcan, Swindon, SN3 5HH
DIMENSIONS: mm 	TOLERANCES UNLESS OTHERWISE SPECIFIED: 0 PLC ±0.2 1 PLC ±0.1 2 PLC ± 3 PLC ± 4 PLC ± ANGLES ±5° MATERIAL - FINISH -			