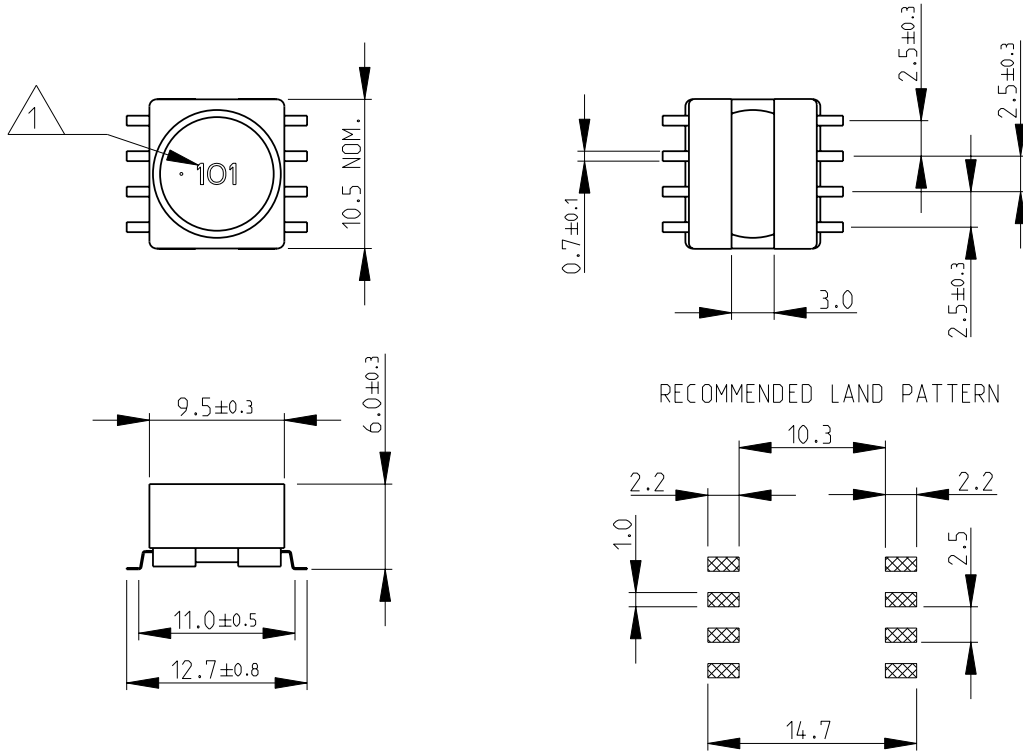
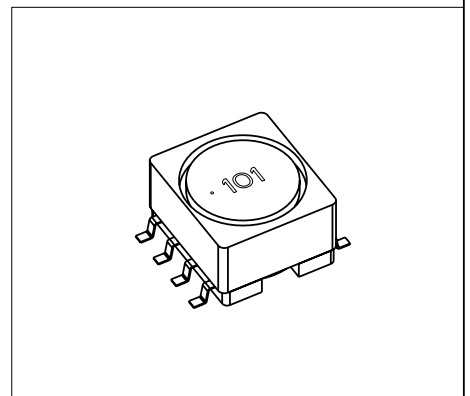


LOC	DIST	REVISIONS				
P	LTR	DESCRIPTION	DATE	DWN	APVD	
E	B	BA	NEW RELEASE	14-NOV-08	SM	St.P



- 1 INDUCTANCE CODE
2 FOR FURTHER INFORMATION SEE DATA SHEET FOR 3632 SERIES-SHIELDED SMD POWER INDUCTORS

RoHS Compliant




2008

RELEASED FOR PUBLICATION

THIS DRAWING IS UNPUBLISHED.

© COPYRIGHT 2008 BY TYCO ELECTRONICS CORPORATION. ALL RIGHTS RESERVED.

DIMENSIONS: mm	DWN	SUBHASH.M	14-NOV-08	MATERIAL	-	FINISH	-
	CHK	PRAKASH.S	14-NOV-08	 Tyco Electronics Corporation Dorcan, Swindon, SN3 5HH			
TOLERANCES UNLESS OTHERWISE SPECIFIED:	APVD	STEPHEN.P	14-NOV-08				
0 PLC ±0.2	PRODUCT SPEC	-	NAME	SHIELDED SMD POWER INDUCTOR SERIES 3632A			
1 PLC ±0.1	APPLICATION SPEC	-	SIZE	CAGE CODE	DRAWING NO	RESTRICTED TO	
2 PLC ±-	WEIGHT	-	A 4	00779	©= 1676944	-	
3 PLC ±-			CUSTOMER DRAWING				
4 PLC ±-			SCALE	2:1	SHEET	1 OF 1	REV
ANGLES ±5°							BA