



## Features

- Available in E6 series
- Unit height of 2.8 mm
- Current up to 7 A
- Lead free
- RoHS compliant\*

## Applications

- Input/output of DC/DC converters
- Power supplies for:
  - Portable communication equipment
  - Camcorders
  - LCD TVs
  - Car radios

**BOURNS®**

# SRU1028 Series - Shielded SMD Power Inductors

## Electrical Specifications

Bourns Part No.	Inductance 100 KHz		Q Ref.	Test Frequency (MHz)	SRF Min. (MHz)	RDC (mΩ)	I rms Max. (A)	I sat Typ. (A)
	(μH)	Tol. %						
SRU1028-1R0Y	1.0	± 30	14	7.96	100.0	4.9	7.00	8.00
SRU1028-1R5Y	1.5	± 30	12	7.96	80.0	7.3	6.50	6.50
SRU1028-2R2Y	2.2	± 30	12	7.96	65.0	11	5.30	4.80
SRU1028-3R3Y	3.3	± 30	14	7.96	55.0	15	4.60	4.30
SRU1028-4R7Y	4.7	± 30	12	7.96	40.0	16	4.50	3.80
SRU1028-6R8Y	6.8	± 30	12	7.96	30.0	25	3.50	3.00
SRU1028-8R2Y	8.2	± 30	12	7.96	28.0	28	3.30	2.70
SRU1028-100Y	10.0	± 30	20	7.96	25.0	40	2.80	2.40
SRU1028-120Y	12.0	± 30	22	2.52	23.0	70	2.40	2.30
SRU1028-150Y	15.0	± 30	26	2.52	22.0	69	2.00	2.00
SRU1028-220Y	22.0	± 30	26	2.52	16.0	104	1.60	1.40
SRU1028-330Y	33.0	± 30	24	2.52	12.0	139	1.25	1.20
SRU1028-470Y	47.0	± 30	20	2.52	11.0	167	1.30	1.10
SRU1028-560Y	56.0	± 30	22	2.52	10.0	208	1.10	1.00
SRU1028-680Y	68.0	± 30	20	2.52	9.0	232	1.00	0.90
SRU1028-820Y	82.0	± 30	20	2.52	8.0	323	0.90	0.85
SRU1028-101Y	100.0	± 30	20	0.796	7.0	365	0.85	0.80
SRU1028-121Y	120.0	± 30	18	0.796	6.0	428	0.65	0.70
SRU1028-151Y	150.0	± 30	18	0.796	5.0	518	0.70	0.65

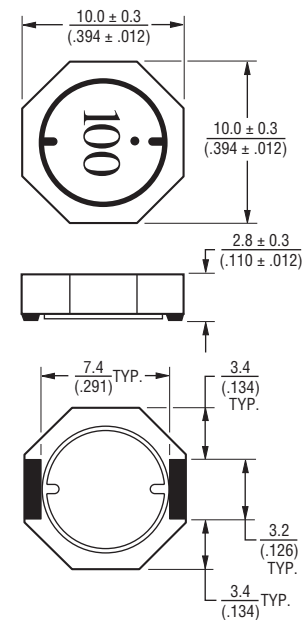
## General Specifications

Test Voltage ..... 1 V  
 Reflow Soldering ... 230 °C, 50 sec. max.  
 Operating Temperature ..... -40 °C to +125 °C  
 (Temperature rise included)  
 Storage Temperature... -40 °C to +125 °C  
 Resistance to Soldering Heat ..... 260 °C for 10 sec.

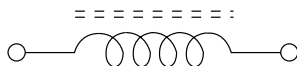
## Materials

Core ..... Ferrite DR and RI core  
 Wire ..... Enameled copper  
 Terminal ..... Ag/Ni/Sn  
 Rated Current ..... Ind. drop 35 % typ. at Isat  
 Temperature Rise ..... 40 °C max. at rated Irms  
 Packaging..... 1,000 pcs. per reel

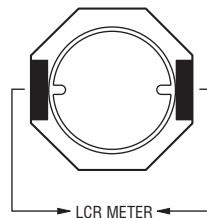
## Product Dimensions



## Electrical Schematic

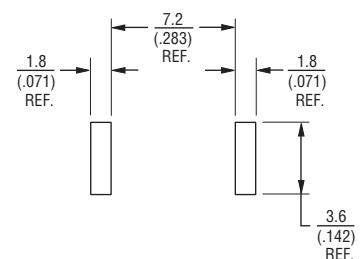


## Inductor Connection



DIMENSIONS:  $\frac{\text{MM}}{\text{(INCHES)}}$

## Recommended Layout

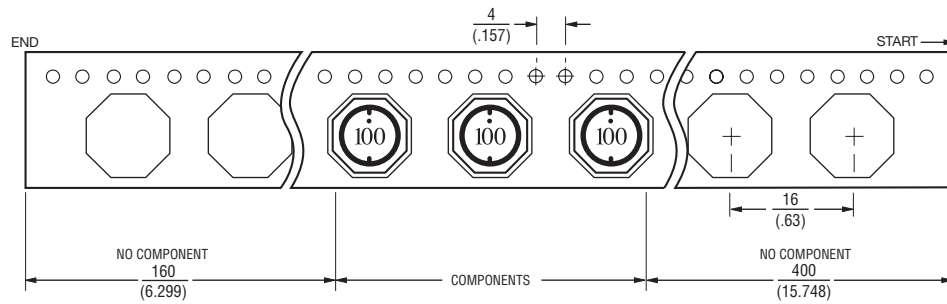
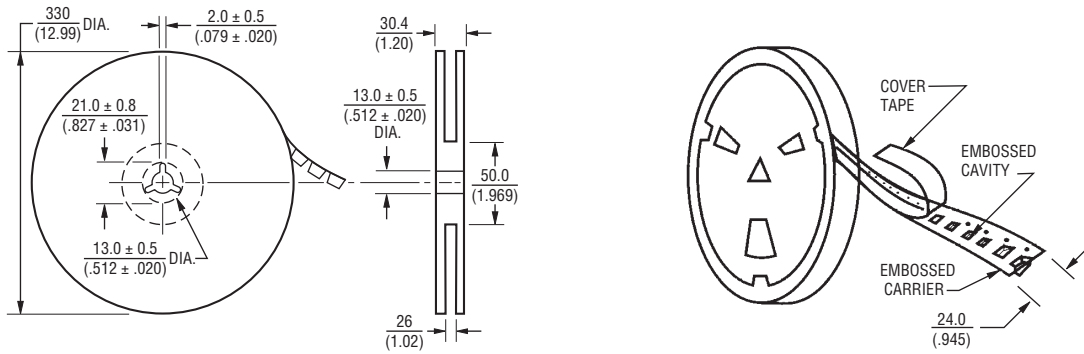


\*RoHS Directive 2002/95/EC Jan 27, 2003 including Annex. Specifications are subject to change without notice. Customers should verify actual device performance in their specific applications.

# SRU1028 Series - Shielded SMD Power Inductors

**BOURNS®**

## Packaging Specifications



USER DIRECTION OF FEED

QTY: 1,000 PCS. PER REEL

DIMENSIONS:  $\frac{\text{MM}}{\text{(INCHES)}}$

REV. 01/11

Specifications are subject to change without notice.

Customers should verify actual device performance in their specific applications.