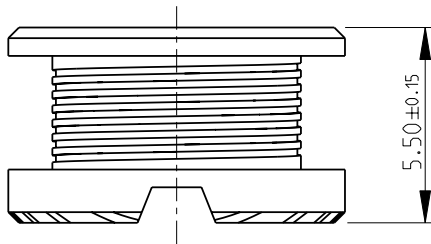
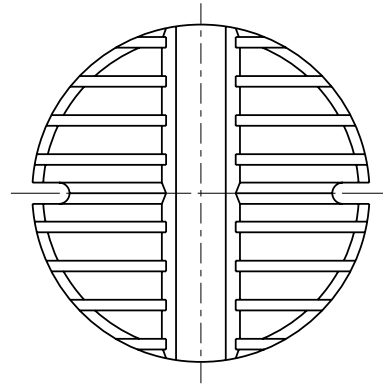
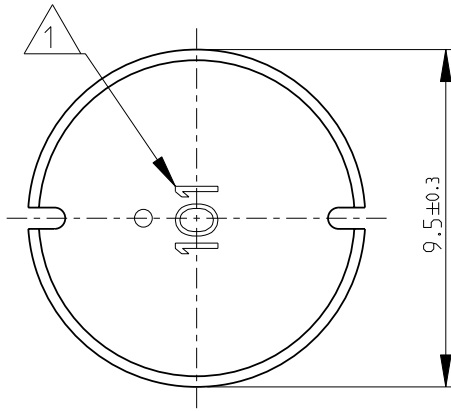


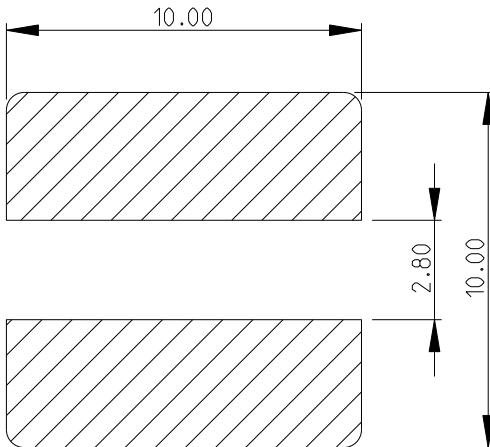
LOC	DIST	REVISIONS					
E	B	P	LTR	DESCRIPTION	DATE	DWN	APVD
		BA		NEW RELEASE	22-Aug-08	SM	St.P



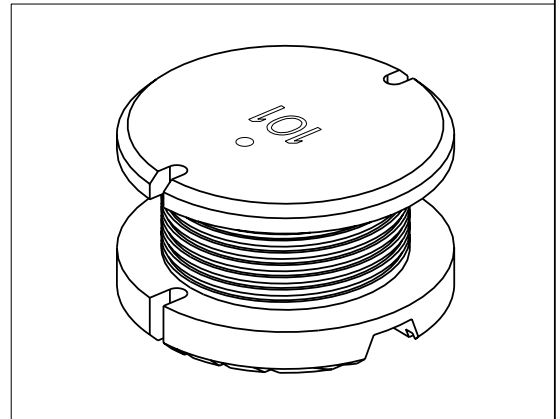
1 INDUCTANCE CODE

2 FOR FURTHER INFORMATION SEE DATA SHEET FOR 3621 SERIES-POWER INDUCTORS

RECOMMENDED LAND PATTERN



RoHS Compliant



2008

RELEASED FOR PUBLICATION

THIS DRAWING IS UNPUBLISHED.

© COPYRIGHT 2008 BY TYCO ELECTRONICS CORPORATION. ALL RIGHTS RESERVED.

DIMENSIONS: mm	DWN	SUBHASH.M	22-Aug-08	MATERIAL	-	FINISH	-
	CHK	PRAKASH.S	22-Aug-08	Tyco Electronics Corporation Dorcan, Swindon, SN3 5HH			
TOLERANCES UNLESS OTHERWISE SPECIFIED:	APVD	STEPHEN.P	22-Aug-08				
0 PLC ±0.2	PRODUCT SPEC	-	NAME	POWER INDUCTORS SERIES 3621E			
1 PLC ±0.1	APPLICATION SPEC	-	SIZE	CAGE CODE	DRAWING NO	RESTRICTED TO	
2 PLC ±	WEIGHT	-	A 4	00779	© = 1624121	-	
3 PLC ±	CUSTOMER DRAWING	-	SCALE	5:1	SHEET	1 OF 1	REV
4 PLC ±							BA
ANGLES ±5°							