



Features

- Available in E6 series
- Unit height of 2.8 mm
- Current up to 3.5 A
- Lead free
- RoHS compliant*

Applications

- Input/output of DC/DC converters
- Power supplies for:
 - Portable communication equipment
 - Camcorders
 - LCD TVs
 - Car radios

SRU5028 Series - Shielded SMD Power Inductors

Electrical Specifications

| Bourns Part No. | Inductance 100 KHz | | Q Ref. | Test Frequency (MHz) | SRF Min. (MHz) | RDC (mΩ) | I rms Max. (A) | I sat Typ. (A) |
|-----------------|--------------------|--------|--------|----------------------|----------------|----------|----------------|----------------|
| | (μH) | Tol. % | | | | | | |
| SRU5028-1R2Y | 1.2 | ± 30 | 10 | 7.96 | 200 | 16.8 | 3.50 | 3.40 |
| SRU5028-2R2Y | 2.2 | ± 30 | 10 | 7.96 | 130 | 21.0 | 3.20 | 2.50 |
| SRU5028-3R3Y | 3.3 | ± 30 | 10 | 7.96 | 90 | 24.0 | 2.80 | 2.10 |
| SRU5028-4R7Y | 4.7 | ± 30 | 9 | 7.96 | 50 | 32.0 | 2.20 | 1.85 |
| SRU5028-6R8Y | 6.8 | ± 30 | 10 | 7.96 | 55 | 42.0 | 2.00 | 1.55 |
| SRU5028-100Y | 10.0 | ± 30 | 18 | 2.52 | 25 | 63.0 | 1.80 | 1.40 |
| SRU5028-150Y | 15.0 | ± 30 | 18 | 2.52 | 23 | 108.0 | 1.10 | 1.00 |
| SRU5028-220Y | 22.0 | ± 30 | 15 | 2.52 | 18 | 162.0 | 0.95 | 0.85 |
| SRU5028-330Y | 33.0 | ± 30 | 15 | 2.52 | 16 | 203.0 | 0.80 | 0.68 |
| SRU5028-470Y | 47.0 | ± 30 | 13 | 2.52 | 13 | 285.0 | 0.70 | 0.62 |
| SRU5028-680Y | 68.0 | ± 30 | 13 | 2.52 | 10 | 450.0 | 0.56 | 0.46 |
| SRU5028-101Y | 100.0 | ± 30 | 15 | 0.796 | 8 | 625.0 | 0.47 | 0.42 |

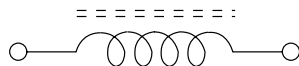
General Specifications

Test Voltage0.1 V
 Reflow Soldering ...230 °C, 50 sec. max.
 Operating Temperature
-40 °C to +125 °C
 (Temperature rise included)
 Storage Temperature..-40 °C to +125 °C
 Resistance to Soldering Heat
260 °C for 10 sec.

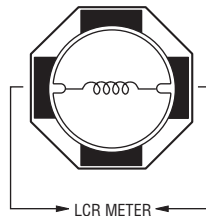
Materials

Core.....Ferrite DR and RI core
 Wire.....Enamelled copper
 TerminalAg/Ni/Sn
 Rated Current
Ind. drop 35 % typ. at Isat
 Temperature Rise
40 °C max. at rated Irms
 Packaging.....600 pcs. per reel

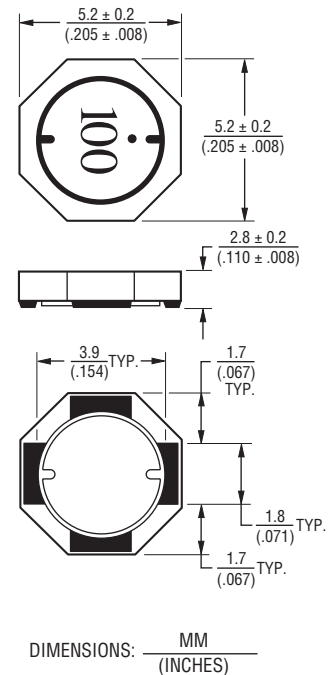
Electrical Schematic



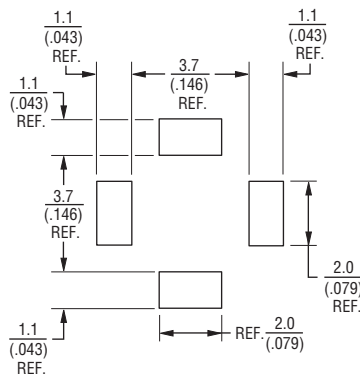
Inductor Connection



Product Dimensions



Recommended Layout

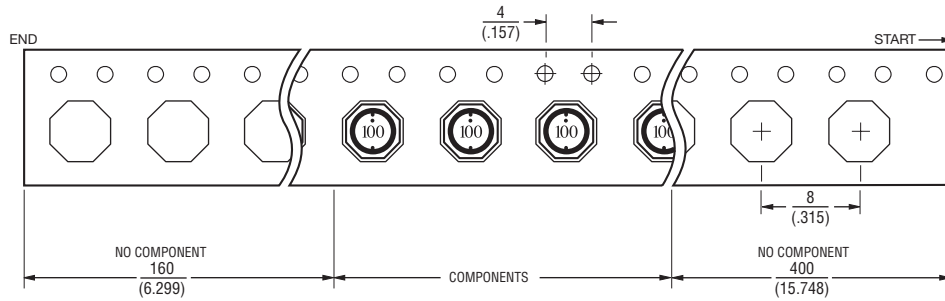
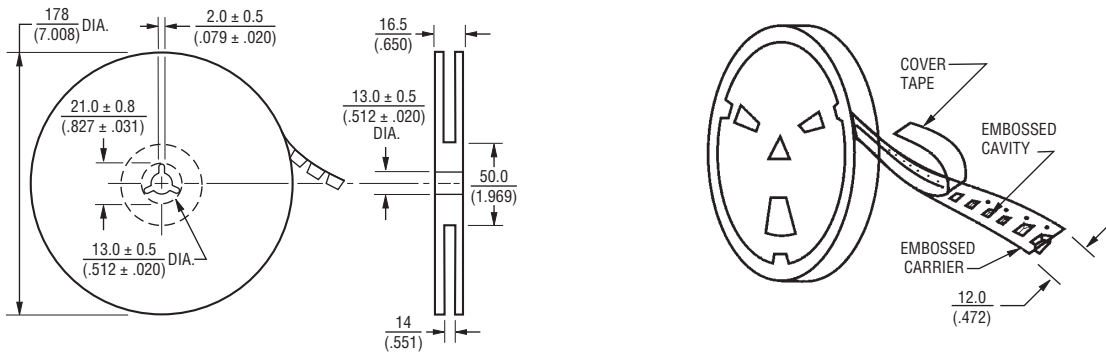


*RoHS Directive 2002/95/EC Jan 27, 2003 including Annex. Specifications are subject to change without notice. Customers should verify actual device performance in their specific applications.

SRU5028 Series - Shielded SMD Power Inductors

BOURNS®

Packaging Specifications



USER DIRECTION OF FEED →

QTY: 600 PCS. PER REEL

DIMENSIONS: $\frac{\text{MM}}{\text{(INCHES)}}$

REV. 01/11

Specifications are subject to change without notice.
Customers should verify actual device performance in their specific applications.