



Features

- Available in E6 series
- Unit height of 2.8 mm
- Current up to 0.86 A
- Lead free
- RoHS compliant*

Applications

- Input/output of DC/DC converters
- Power supplies for:
 - Portable communication equipment
 - Camcorders
 - LCD TVs
 - Car radios

SRU3028 Series - Shielded SMD Power Inductors

Electrical Specifications

Bourns Part No.	Inductance 100 KHz		Q Ref.	Test Frequency (MHz)	SRF Typ. (MHz)	RDC (mΩ)	I rms Max. (A)	I sat Typ. (A)
	(μH)	Tol. %						
SRU3028-100Y	10.0	± 30	20	7.96	35	160	0.72	0.86
SRU3028-150Y	15.0	± 30	18	2.52	25	230	0.66	0.72
SRU3028-220Y	22.0	± 30	18	2.52	15	270	0.60	0.62
SRU3028-330Y	33.0	± 30	20	2.52	10	450	0.47	0.48
SRU3028-470Y	47.0	± 30	20	2.52	8	815	0.32	0.38
SRU3028-680Y	68.0	± 30	20	2.52	7	1400	0.24	0.28
SRU3028-101Y	100.0	± 30	20	0.796	5	2200	0.19	0.21

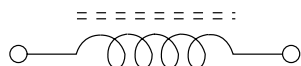
General Specifications

Test Voltage0.1 V
 Reflow Soldering ...230 °C, 50 sec. max.
 Operating Temperature -40 °C to +125 °C
 (Temperature rise included)
 Storage Temperature...-40 °C to +125 °C
 Resistance to Soldering Heat
260 °C for 10 sec.

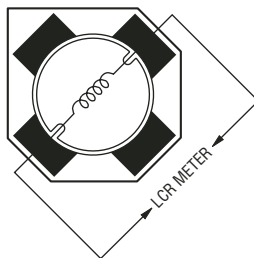
Materials

Core.....Ferrite DR and RI core
 Wire.....Enamelled copper (Class F)
 TerminalAg/Ni/Sn
 Rated Current
Ind. drop 35 % typ. at Isat
 Temperature Rise
40 °C max. at rated Irms
 Packaging.....600 pcs. per reel

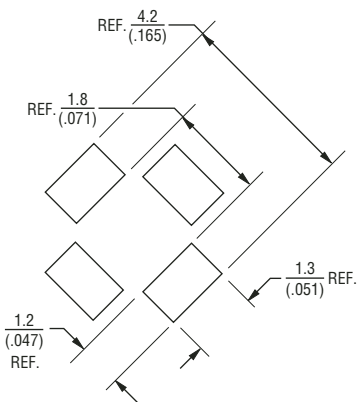
Electrical Schematic



Inductor Connection

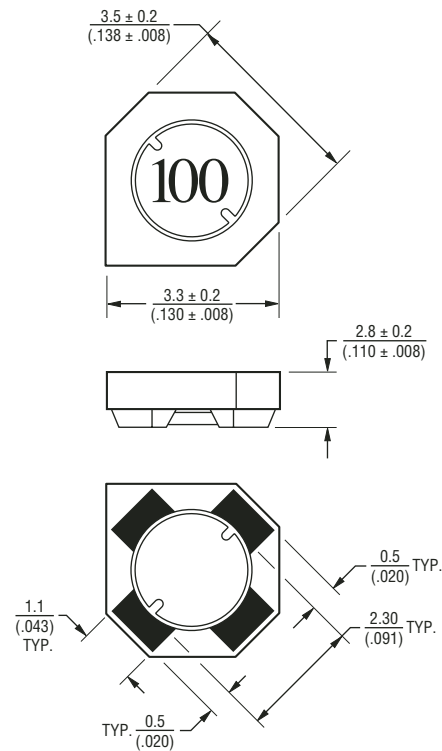


Recommended Layout



DIMENSIONS: $\frac{\text{MM}}{\text{(INCHES)}}$

Product Dimensions

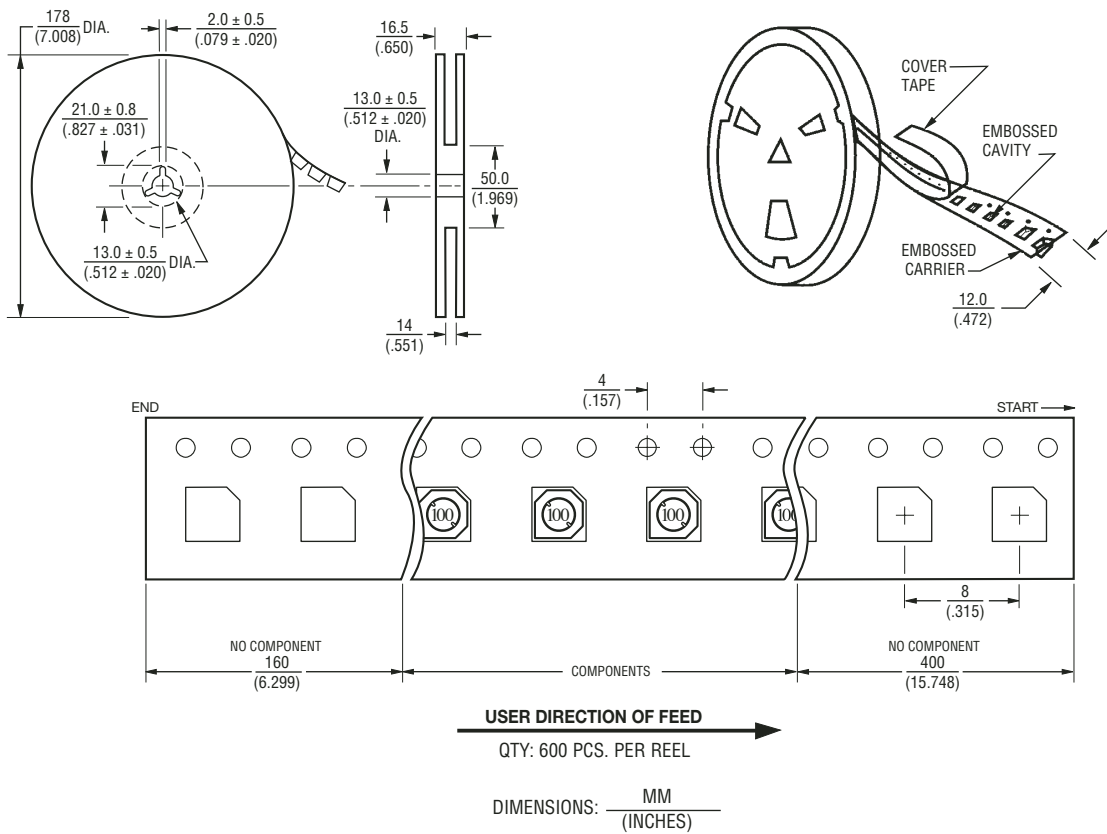


*RoHS Directive 2002/95/EC Jan 27 2003 including Annex
 Specifications are subject to change without notice.
 Customers should verify actual device performance in their specific applications.

SRU3028 Series - Shielded SMD Power Inductors

BOURNS®

Packaging Specifications



REV. 05/05

Specifications are subject to change without notice.
Customers should verify actual device performance in their specific applications.