



Features

- Available in E6 series
- Unit height of 1.6 mm
- Current up to 1.8 A
- Lead free
- RoHS compliant*

Applications

- Input/output of DC/DC converters
- Power supplies for:
 - Portable communication equipment
 - Camcorders
 - LCD TVs
 - Car radios

SRU5016 Series - Shielded SMD Power Inductors

Electrical Specifications

Bourns Part No.	Inductance 100 KHz		Q Ref.	Test Frequency (MHz)	SRF Min. (MHz)	RDC (mΩ)	I rms Max. (A)	I sat Typ. (A)
	(μH)	Tol. %						
SRU5016-1R8Y	1.8	± 30	9	7.96	100	24	1.75	1.70
SRU5016-3R3Y	3.3	± 30	9	7.96	80	35	1.55	1.50
SRU5016-4R7Y	4.7	± 30	9	7.96	60	43	1.30	1.20
SRU5016-6R8Y	6.8	± 30	8	7.96	50	50	1.20	1.10
SRU5016-100Y	10.0	± 30	15	2.52	40	84	1.00	0.90
SRU5016-150Y	15.0	± 30	15	2.52	32	130	0.80	0.72
SRU5016-220Y	22.0	± 30	15	2.52	28	195	0.65	0.56
SRU5016-330Y	33.0	± 30	13	2.52	22	300	0.54	0.50
SRU5016-470Y	47.0	± 30	18	2.52	18	390	0.46	0.42
SRU5016-680Y	68.0	± 30	18	2.52	15	560	0.36	0.33
SRU5016-101Y	100.0	± 30	18	0.796	12	850	0.30	0.27

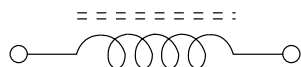
General Specifications

Test Voltage0.1 V
 Reflow Soldering ...230 °C, 50 sec. max.
 Operating Temperature-40 °C to +125 °C
 (Temperature rise included)
 Storage Temperature...-40 °C to +125 °C
 Resistance to Soldering Heat260 °C for 10 sec.

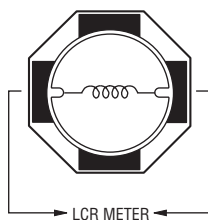
Materials

Core.....Ferrite DR and RI core
 Wire.....Enamelled copper
 TerminalAg/Ni/Sn
 Rated CurrentInd. drop 35 % typ. at Isat
 Temperature Rise40 °C max. at rated Irms
 Packaging.....1000 pcs. per reel

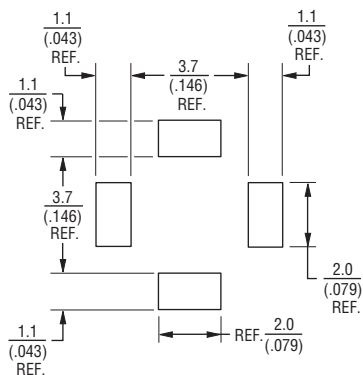
Electrical Schematic



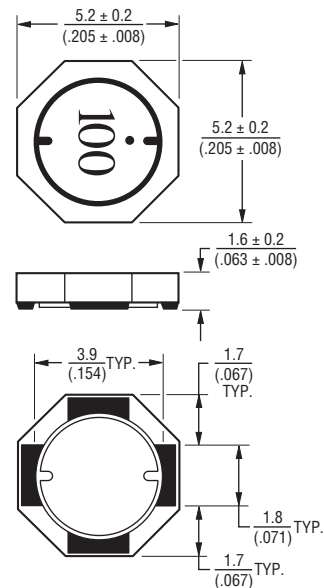
Inductor Connection



Recommended Layout



Product Dimensions



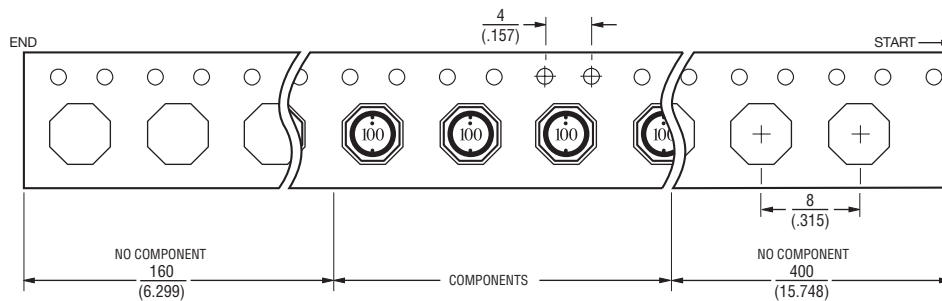
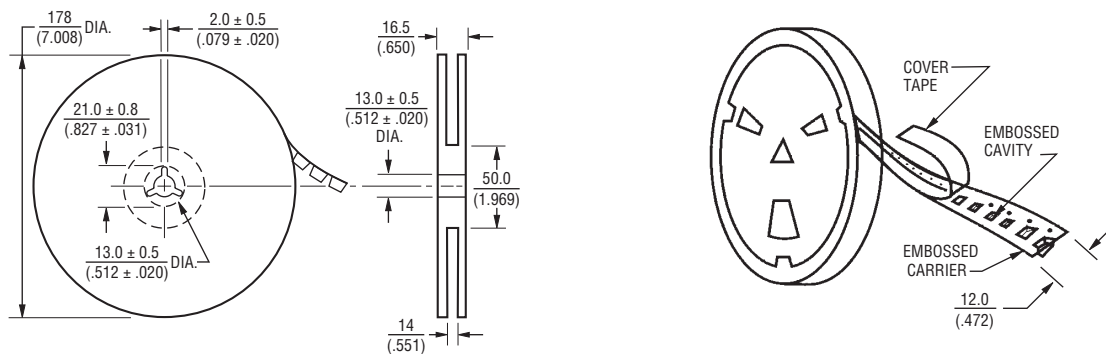
DIMENSIONS: $\frac{\text{MM}}{\text{(INCHES)}}$

*RoHS Directive 2002/95/EC Jan 27, 2003 including Annex. Specifications are subject to change without notice. Customers should verify actual device performance in their specific applications.

SRU5016 Series - Shielded SMD Power Inductors

BOURNS®

Packaging Specifications



USER DIRECTION OF FEED →

QTY: 1,000 PCS. PER REEL

DIMENSIONS: $\frac{\text{MM}}{\text{(INCHES)}}$

REV. 01/11

Specifications are subject to change without notice.

Customers should verify actual device performance in their specific applications.