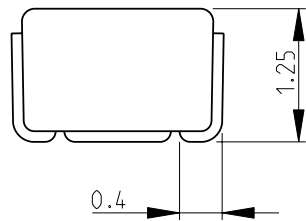
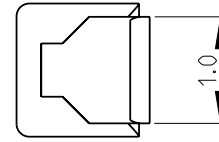
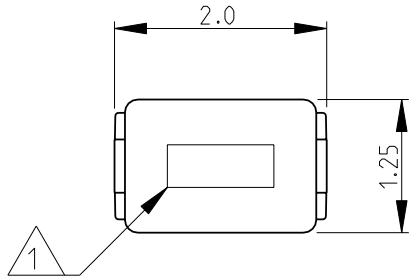


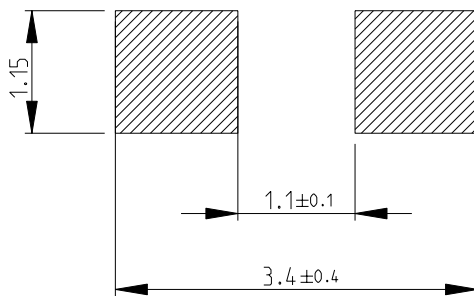
LOC	DIST	REVISIONS				
P	LTR	DESCRIPTION	DATE	DWN	APVD	
E	B	BA	NEW RELEASE	13-NOV-08	SM	St.P



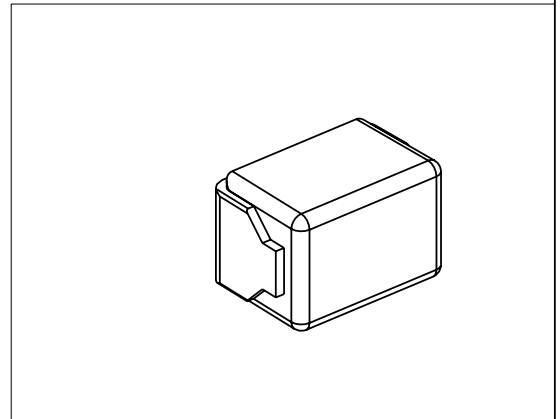
1 INDUCTANCE CODE

2 FOR FURTHER INFORMATION SEE DATA SHEET FOR 3610 SERIES-0805 MOULDED CHIP INDUCTOR

RECOMMENDED LAND PATTERN



RoHS Compliant



2008

RELEASED FOR PUBLICATION

THIS DRAWING IS UNPUBLISHED.

© COPYRIGHT 2008 BY TYCO ELECTRONICS CORPORATION. ALL RIGHTS RESERVED.

DIMENSIONS: mm	DWN	SUBHASH.M	13-NOV-08	MATERIAL	-	FINISH	-
	CHK	PRAKASH.S	13-NOV-08	Tyco Electronics Corporation Dorcan, Swindon, SN3 5HH			
TOLERANCES UNLESS OTHERWISE SPECIFIED:	APVD	STEPHEN.P	13-NOV-08				
0 PLC ±0.2	PRODUCT SPEC	-	-	NAME			
1 PLC ±0.1	APPLICATION SPEC	-	-	0805 MOULDED CHIP INDUCTOR SERIES 3610T			
2 PLC ±-	WEIGHT	-	-	SIZE	CAGE CODE	DRAWING NO	RESTRICTED TO
3 PLC ±-				A 4	00779	©= 1624099	-
4 PLC ±-				CUSTOMER DRAWING			
ANGLES ±5°				SCALE	15:1	SHEET	1 OF 1
							REV BA