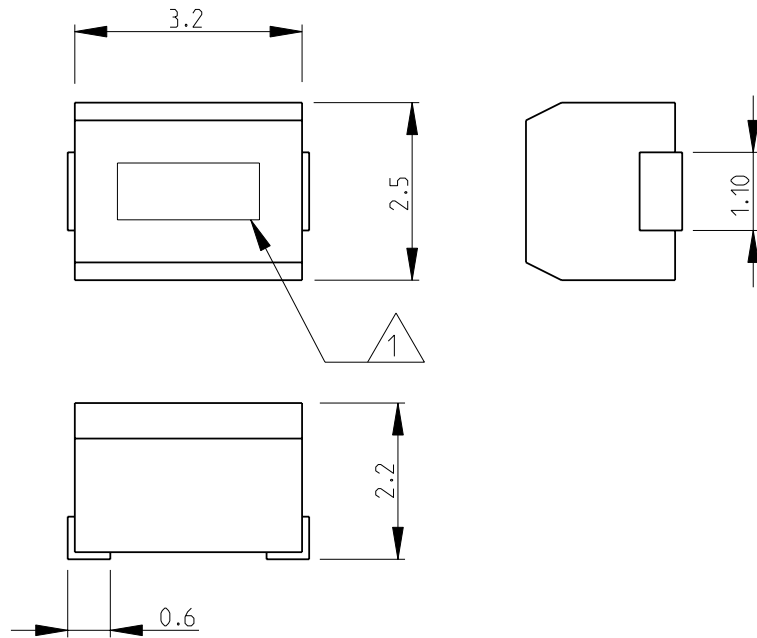


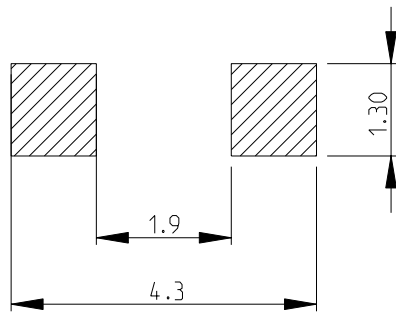
LOC	DIST	REVISIONS				
P	LTR	DESCRIPTION	DATE	DWN	APVD	
E	B	BA	NEW RELEASE	01-DEC-08	SM	St.P



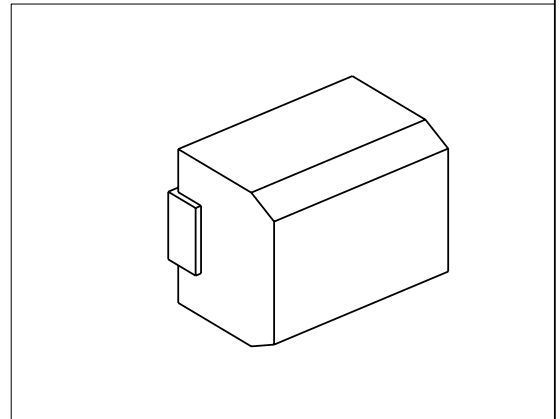
1 INDUCTANCE CODE

2 FOR FURTHER INFORMATION SEE DATA SHEET FOR 3612 SERIES-SMD CHIP INDUCTOR

RECOMMENDED LAND PATTERN



RoHS Compliant



2008

RELEASED FOR PUBLICATION

THIS DRAWING IS UNPUBLISHED.

© COPYRIGHT 2008 BY TYCO ELECTRONICS CORPORATION. ALL RIGHTS RESERVED.

DIMENSIONS: mm	DWN	SUBHASH.M	01-DEC-08	MATERIAL	-	FINISH	-
	CHK	PRAKASH.S	01-DEC-08	Tyco Electronics Corporation Dorcan, Swindon, SN3 5HH			
TOLERANCES UNLESS OTHERWISE SPECIFIED:	APVD	STEPHEN.P	01-DEC-08				
0 PLC ±0.2	PRODUCT SPEC	-	NAME				
1 PLC ±0.1	APPLICATION SPEC	-	SMD CHIP INDUCTOR				
2 PLC ±-			SIZE	CAGE CODE	DRAWING NO	RESTRICTED TO	
3 PLC ±-			A 4	00779	© = 1624106	-	
4 PLC ±-	WEIGHT	-	CUSTOMER DRAWING				
ANGLES ±5°			SCALE	10:1	SHEET	1 OF 1	REV
							BA