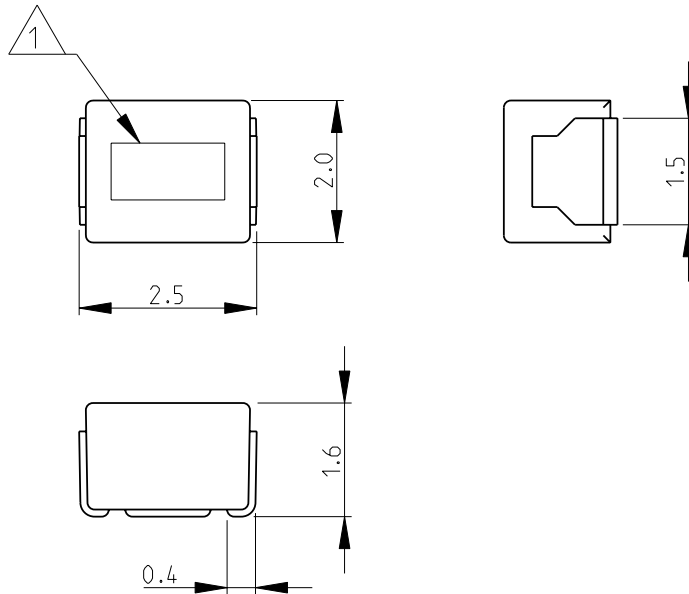
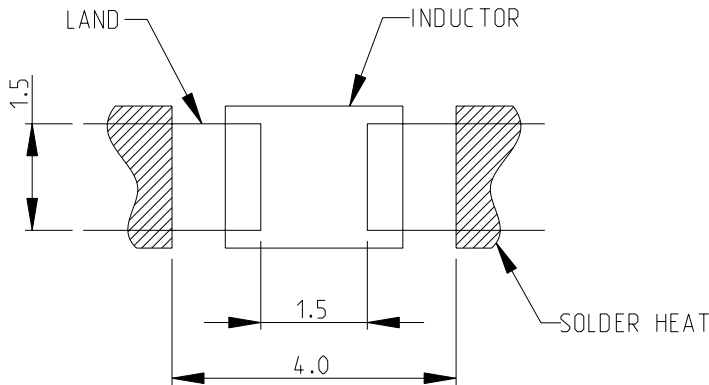


LOC	DIST	REVISIONS				
P	LTR	DESCRIPTION	DATE	DWN	APVD	
E	B	BA	NEW RELEASE	01-DEC-08	SM	St.P

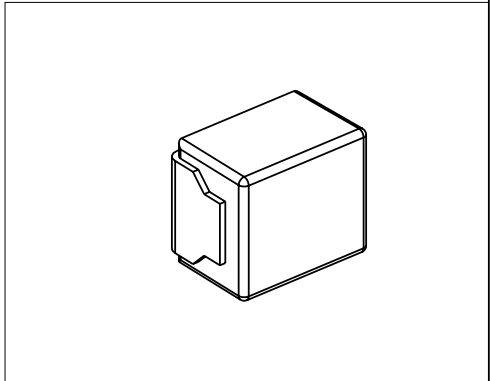


- 1 INDUCTANCE CODE
- 2 FOR FURTHER INFORMATION SEE DATA SHEET FOR 3611 SERIES-SMD CHIP INDUCTOR

RECOMMENDED LAND PATTERN



RoHS Compliant



THIS DRAWING IS UNPUBLISHED. 2008
 BY TYCO ELECTRONICS CORPORATION. ALL RIGHTS RESERVED.
 COPYRIGHT 2008

DIMENSIONS: mm	DWN	SUBHASH.M	01-DEC-08	MATERIAL	-	FINISH	-						
	CHK	PRAKASH.S	01-DEC-08	Tyco Electronics Corporation Dorcan, Swindon, SN3 5HH									
TOLERANCES UNLESS OTHERWISE SPECIFIED: 0 PLC ±0.2 1 PLC ±0.1 2 PLC ±- 3 PLC ±- 4 PLC ±- ANGLES ±5°	APVD	STEPHEN.P	01-DEC-08					NAME SMD CHIP INDUCTOR SERIES 3611T					
	PRODUCT SPEC	-	-	SIZE	A 4	CAGE CODE	00779	DRAWING NO	©= 1624102	RESTRICTED TO	-		
APPLICATION SPEC	-	-	WEIGHT	-	CUSTOMER DRAWING			SCALE	10:1	SHEET	1 OF 1	REV	BA