

4

3

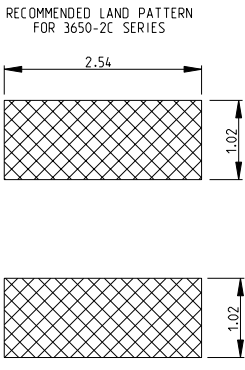
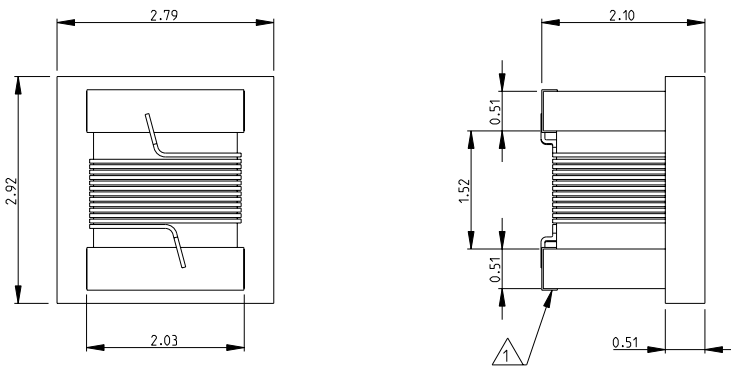
2

1

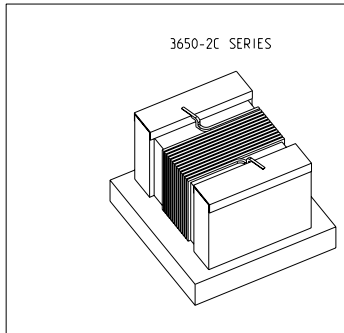
THIS DRAWING IS UNPUBLISHED. RELEASED FOR PUBLICATION 2009
 © COPYRIGHT 2009 BY TYCO ELECTRONICS CORPORATION. ALL RIGHTS RESERVED.

LOC		DIST		REVISIONS			
P	LTR	DESCRIPTION		DATE	DWN	APVD	
BA		NEW RELEASE		04-AUG-09	SM	ST.P	

- 1 TERMINAL WRAPAROUND APPROX 0.007" (0.18mm) BOTH ENDS
- 2 FOR FURTHER INFORMATION SEE DATA SHEET FOR 3650 SERIES-LOW INDUCTANCE, HIGH FREQUENCY CHIP INDUCTOR



RoHS Compliant



<small>THIS DRAWING IS A CONTROLLED DOCUMENT FOR TYCO ELECTRONICS CORPORATION. IT IS SUBJECT TO CHANGE AND THE CONTROLLING ENGINEERING ORGANIZATION SHOULD BE CONTACTED FOR THE LATEST REVISION.</small>		DWN SUBHASH.M 04-AUG-09 CHK ALLAN.P 04-AUG-09 APVD STEPHEN.P 04-AUG-09	Tyco Electronics Corporation Dorcan, Swindon, SN3 5HH
DIMENSIONS: mm 		NAME LOW INDUCTANCE, HIGH FREQUENCY CHIP INDUCTOR SERIES 3650 2C PRODUCT SPEC - APPLICATION SPEC - WEIGHT -	
TOLERANCES UNLESS OTHERWISE SPECIFIED: 0 PLC ±0.2 1 PLC ±0.1 2 PLC ± 3 PLC ± 4 PLC ± ANGLES ±°		SIZE A3 CAGE CODE 00779 DRAWING NO C-1879023	RESTRICTED TO - SCALE NTS SHEET 1 OF 1 REV BA
MATERIAL - FINISH -		CUSTOMER DRAWING	