

4

3

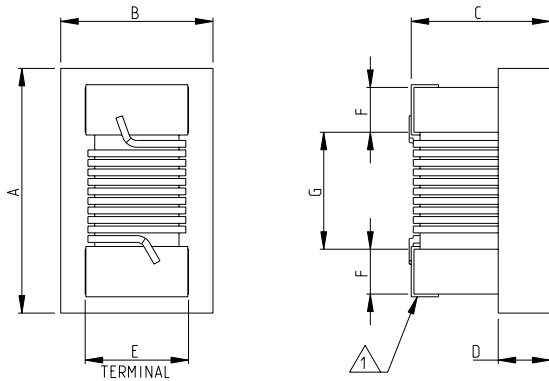
2

1

THIS DRAWING IS UNPUBLISHED. RELEASED FOR PUBLICATION 2009
 © COPYRIGHT 2009 BY TYCO ELECTRONICS CORPORATION. ALL RIGHTS RESERVED.

LOC		DIST		REVISIONS				
P	LTR	DESCRIPTION			DATE	DNW	APVD	
BA		NEW RELEASE			03-AUG-09	SM	ST.P	

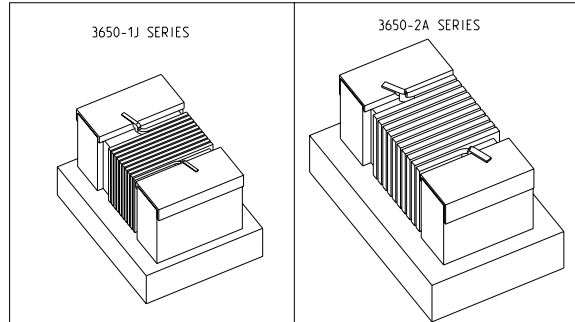
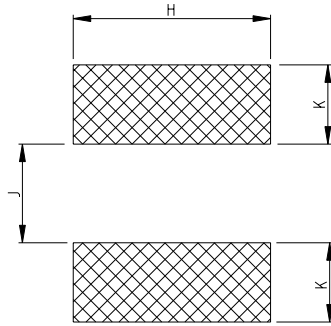
SERIES 3650-1J, 3650-2A AS SHOWN



- 1 TERMINAL WRAPAROUND APPROX 0.007" (0.18mm) BOTH ENDS
- 2 AVAILABLE IN 2 DIFFERENT SERIES
- 3 FOR FURTHER INFORMATION SEE DATA SHEET FOR 3650 SERIES-LOW INDUCTANCE, HIGH FREQUENCY CHIP INDUCTOR

RoHS Compliant

RECOMMENDED LAND PATTERN FOR 3650-2A, 3650-1J SERIES



3650-1J	1.80	1.12	1.02	0.38	0.76	0.33	0.86	1.02	0.64	0.64
3650-2A	2.29	1.73	1.52	0.51	1.27	0.51	1.02	1.78	1.02	0.76
SERIES	A Max.	B Max.	C Max.	D ref	E	F	G	H	K	J

DIMENSIONS:		TOLERANCES UNLESS OTHERWISE SPECIFIED:		OWN	03-AUG-09	Tyco Electronics		Tyco Electronics Corporation	
mm		0 PLC	±0.2	CHK	SUBHASH.M	Dorcan, Swindon, SN3 5HH			
		1 PLC	±0.1	ALLAN.P	03-AUG-09			NAME	
		2 PLC	±	APVD	STEPHEN.P			LOW INDUCTANCE, HIGH FREQUENCY CHIP INDUCTOR SERIES 3650	
		3 PLC	±	PRODUCT SPEC				APPLICATION SPEC	
		4 PLC	±	APPLICATION SPEC				SIZE	
		ANGLES	±	WEIGHT				CAGE CODE	
			±5°					DRAWING NO	
MATERIAL	-	FINISH	-					RESTRICTED TO	
								SCALE	
								SHEET	
								1 OF 1	
								REV	
								BA	

AMP 1470-19 REV 31MAR2000

Pro/ENGINEER DRAWING