

Features

- 1008 size
- Available in E12 series
- High Q up to 80 typ.
- High operating temperature of 125 °C
- Lead free

Applications

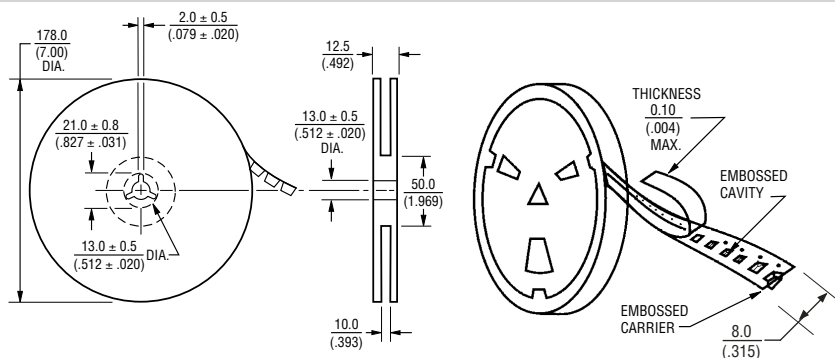
- Mobil phones
- Cellular phones
- CTV, VCR, HIC, FDD

CW252016 Series - High Q Chip Inductors

Electrical Specifications

| Bourns Part No. | Inductance | | Q | Test Freq. MHz | | SRF min. | RDC | I rms |
|-----------------|------------|-------|------|----------------|-----|----------|------|---------|
| | nH | Tol.% | min. | L | Q | MHz | ohms | mA max. |
| CW252016-10NK | 10 | ±10 | 50 | 100 | 500 | 4100 | 0.08 | 600 |
| CW252016-12NK | 12 | ±10 | 50 | 100 | 500 | 3300 | 0.08 | 600 |
| CW252016-15NK | 15 | ±10 | 40 | 100 | 350 | 2500 | 0.08 | 500 |
| CW252016-18NK | 18 | ±10 | 50 | 100 | 350 | 2500 | 0.10 | 600 |
| CW252016-22NK | 22 | ±10 | 55 | 100 | 350 | 2400 | 0.10 | 600 |
| CW252016-27NK | 27 | ±10 | 55 | 100 | 350 | 1600 | 0.10 | 600 |
| CW252016-33NK | 33 | ±10 | 60 | 100 | 350 | 1600 | 0.10 | 600 |
| CW252016-39NK | 39 | ±10 | 60 | 100 | 350 | 1500 | 0.10 | 600 |
| CW252016-47NK | 47 | ±10 | 60 | 100 | 350 | 1500 | 0.10 | 600 |
| CW252016-56NJ | 56 | ±5 | 60 | 100 | 350 | 1300 | 0.12 | 600 |
| CW252016-68NJ | 68 | ±5 | 60 | 100 | 350 | 1300 | 0.15 | 600 |
| CW252016-82NJ | 82 | ±5 | 60 | 100 | 350 | 1000 | 0.18 | 600 |
| CW252016-R10J | 100 | ±5 | 60 | 100 | 350 | 1000 | 0.18 | 500 |
| CW252016-R12J | 120 | ±5 | 50 | 25 | 100 | 950 | 0.20 | 500 |
| CW252016-R15J | 150 | ±5 | 45 | 25 | 100 | 850 | 0.22 | 500 |
| CW252016-R18J | 180 | ±5 | 45 | 25 | 100 | 750 | 0.33 | 500 |
| CW252016-R22J | 220 | ±5 | 45 | 25 | 100 | 700 | 0.45 | 500 |
| CW252016-R27J | 270 | ±5 | 45 | 25 | 100 | 600 | 0.75 | 500 |
| CW252016-R33J | 330 | ±5 | 45 | 25 | 100 | 570 | 0.90 | 500 |
| CW252016-R39J | 390 | ±5 | 45 | 25 | 100 | 500 | 1.20 | 400 |
| CW252016-R47J | 470 | ±5 | 45 | 25 | 100 | 450 | 1.19 | 470 |
| CW252016-R56J | 560 | ±5 | 45 | 25 | 100 | 415 | 1.33 | 400 |
| CW252016-R68J | 680 | ±5 | 45 | 25 | 100 | 375 | 1.47 | 400 |
| CW252016-R82J | 820 | ±5 | 45 | 25 | 100 | 350 | 1.61 | 360 |
| CW252016-1R0J | 1000 | ±5 | 25 | 25 | 50 | 290 | 1.75 | 330 |
| CW252016-1R2J | 1200 | ±5 | 25 | 7.9 | 7.9 | 250 | 2.00 | 280 |
| CW252016-1R5J | 1500 | ±5 | 25 | 7.9 | 7.9 | 200 | 2.30 | 280 |
| CW252016-1R8J | 1800 | ±5 | 25 | 7.9 | 7.9 | 160 | 2.60 | 270 |
| CW252016-2R2J | 2200 | ±5 | 25 | 7.9 | 7.9 | 160 | 2.80 | 250 |
| CW252016-2R7J | 2700 | ±5 | 22 | 7.9 | 7.9 | 70 | 1.70 | 195 |
| CW252016-3R3J | 3300 | ±5 | 22 | 7.9 | 7.9 | 55 | 1.90 | 185 |
| CW252016-3R9J | 3900 | ±5 | 20 | 7.9 | 7.9 | 48 | 2.10 | 180 |
| CW252016-4R7J | 4700 | ±5 | 18 | 7.9 | 7.9 | 43 | 2.30 | 175 |
| CW252016-5R6J | 5600 | ±5 | 18 | 7.9 | 7.9 | 40 | 4.90 | 180 |
| CW252016-6R8J | 6800 | ±5 | 18 | 7.9 | 7.9 | 25 | 6.00 | 150 |
| CW252016-8R2J | 8200 | ±5 | 18 | 7.9 | 7.9 | 25 | 8.00 | 100 |
| CW252016-100J | 10000 | ±5 | 18 | 2.5 | 7.9 | 40 | 4.20 | 200 |

Packaging Specifications



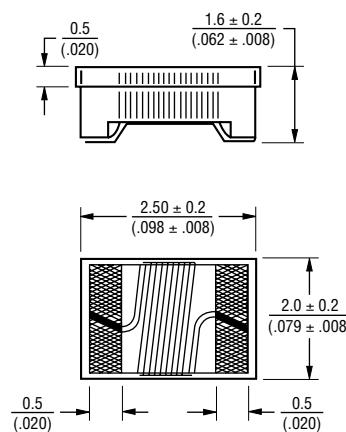
General Specifications

Temperature Rise40 °C max. at rated current
 Operating Temperature-40 °C to +125 °C
 Storage Temperature...-40 °C to +125 °C
 Reflow Soldering ...230 °C, 50 sec. max.
 Resistance to Soldering Heat260 °C, 5 seconds

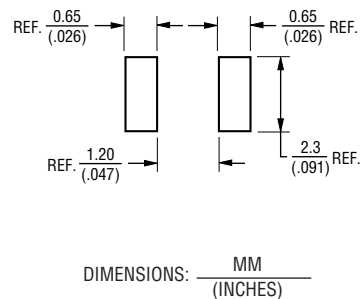
Materials

Core Material
 -10NK thru -R82JCeramic
 -1R0J thru -4R7JFerrite
 WireEnamelled Copper (1W1E180)
 Terminal.....Mo/Mn+Ni+Au
 Packaging.....2,000 pcs per reel

Product Dimensions



Recommended Layout



NOTE: 2 % TOLERANCE AVAILABLE FOR INDUCTANCE RANGES OF 33 NH AND UP. REPLACE "J" OR "K" WITH "G".

REV. 10/08

*RoHS Directive 2002/95/EC Jan 27 2003 including Annex Specifications are subject to change without notice.

Customers should verify actual device performance in their specific applications.