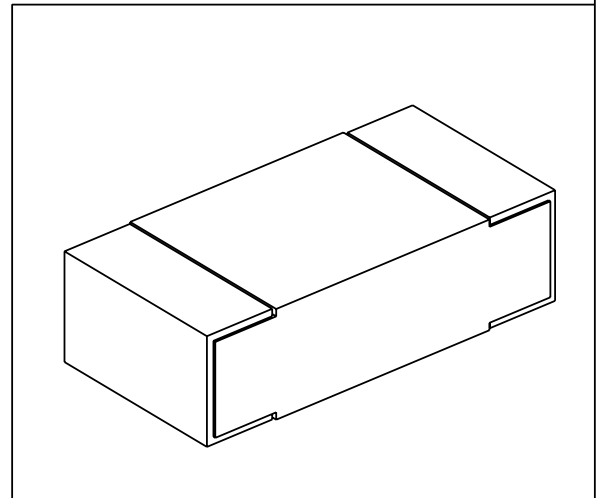
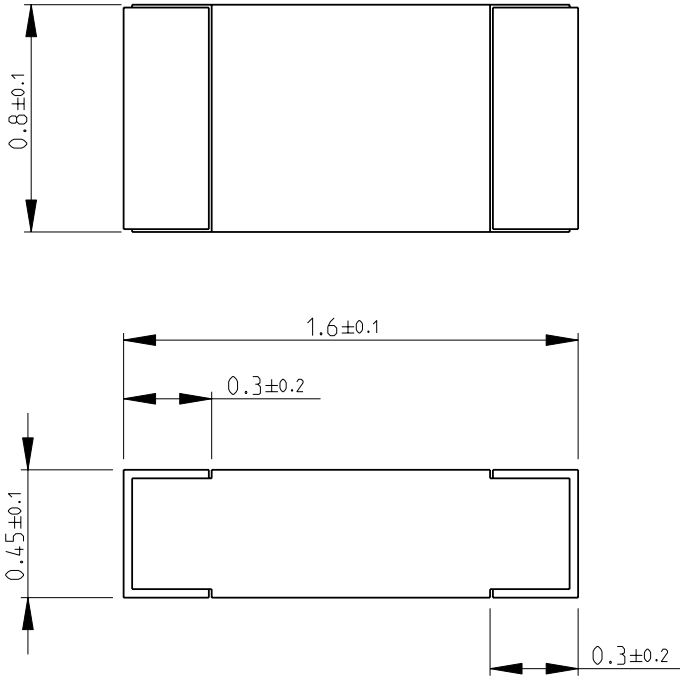


LOC	DIST	REVISIONS				
P	LTR	DESCRIPTION	DATE	DWN	APVD	
E	B	BA	NEW RELEASE	10-Sep-08	SM	St.P

- 1 PACKAGING- 1000 PIECES PER REEL
- 2 FOR FURTHER INFORMATION SEE DATA SHEET FOR 3640 SERIES-HIGH FREQUENCY INDUCTORS



RoHS Compliant

2008

RELEASED FOR PUBLICATION

THIS DRAWING IS UNPUBLISHED.

© COPYRIGHT 2008 BY TYCO ELECTRONICS CORPORATION. ALL RIGHTS RESERVED.

DIMENSIONS: mm	DWN	SUBHASH.M	10-Sep-08	MATERIAL	-	FINISH	-	
	CHK	PRAKASH.S	10-Sep-08	Tyco Electronics Corporation Dorcan, Swindon, SN3 5HH				
TOLERANCES UNLESS OTHERWISE SPECIFIED:	APVD	STEPHEN.P	10-Sep-08					
0 PLC ± 0.2	PRODUCT SPEC	-	NAME	HIGH FREQUENCY INDUCTORS SMD SERIES 3640 0603				
1 PLC ± 0.1	APPLICATION SPEC	-	SIZE	CAGE CODE	DRAWING NO	RESTRICTED TO		
2 PLC \pm	WEIGHT	-	A 4	00779	© = 1624109	-		
3 PLC \pm		CUSTOMER DRAWING						
4 PLC \pm		SCALE	40:1	SHEET	1	OF	1	REV
ANGLES $\pm 5^\circ$								