

- ### Features
- 0805 size
 - Available in E12 Series
 - High frequency
 - Nickel barrier
 - Lead free

- ### Applications
- Mobil phones
 - Cellular phones
 - CTV, VCR, HIC, FDD
 - Automotive electronics

CE201210 Series - Multi-Layer Chip Inductors

Electrical Specifications

| Bourns Part No. | Inductance | | Q typ. | Test Freq. | SRF MHz | DCR | I rms |
|-----------------|------------|----------|-------------|------------|---------|-----------|---------|
| | nH | Tol. % | (@ 100 MHz) | L MHz | min. | mohm max. | mA max. |
| CE201210-1N5D | 1.5 | ± 0.3 nH | 21 | 100 | 4000 | 100 | 300 |
| CE201210-1N8D | 1.8 | ± 0.3 nH | 18 | 100 | 4000 | 100 | 300 |
| CE201210-2N2D | 2.2 | ± 0.3 nH | 18 | 100 | 4000 | 100 | 300 |
| CE201210-2N7D | 2.7 | ± 0.3 nH | 19 | 100 | 4000 | 100 | 300 |
| CE201210-3N3J | 3.3 | ± 5 | 16 | 100 | 4000 | 130 | 300 |
| CE201210-3N9J | 3.9 | ± 5 | 18 | 100 | 4000 | 150 | 300 |
| CE201210-4N7J | 4.7 | ± 5 | 18 | 100 | 3500 | 200 | 300 |
| CE201210-5N6J | 5.6 | ± 5 | 20 | 100 | 3200 | 230 | 300 |
| CE201210-6N8J | 6.8 | ± 5 | 20 | 100 | 2800 | 250 | 300 |
| CE201210-8N2J | 8.2 | ± 5 | 21 | 100 | 2400 | 280 | 300 |
| CE201210-10NJ | 10 | ± 5 | 20 | 100 | 2100 | 300 | 300 |
| CE201210-12NJ | 12 | ± 5 | 21 | 100 | 1900 | 350 | 300 |
| CE201210-15NJ | 15 | ± 5 | 22 | 100 | 1600 | 400 | 300 |
| CE201210-18NJ | 18 | ± 5 | 24 | 100 | 1500 | 450 | 300 |
| CE201210-22NJ | 22 | ± 5 | 23 | 100 | 1400 | 500 | 300 |
| CE201210-27NJ | 27 | ± 5 | 23 | 100 | 1300 | 550 | 300 |
| CE201210-33NJ | 33 | ± 5 | 24 | 100 | 1200 | 600 | 300 |
| CE201210-39NJ | 39 | ± 5 | 23 | 100 | 1000 | 650 | 300 |
| CE201210-47NJ | 47 | ± 5 | 23 | 100 | 900 | 700 | 300 |
| CE201210-56NJ | 56 | ± 5 | 23 | 100 | 800 | 750 | 300 |
| CE201210-68NJ | 68 | ± 5 | 25 | 100 | 700 | 800 | 300 |
| CE201210-82NJ | 82 | ± 5 | 24 | 100 | 600 | 900 | 300 |
| CE201210-R10J | 100 | ± 5 | 23 | 100 | 600 | 900 | 300 |
| CE201210-R12J | 120 | ± 5 | 22 | 50 | 500 | 950 | 300 |
| CE201210-R15J | 150 | ± 5 | 22 | 50 | 500 | 1000 | 300 |
| CE201210-R18J | 180 | ± 5 | 23 | 50 | 400 | 1100 | 300 |
| CE201210-R22J | 220 | ± 5 | 20 | 50 | 350 | 1200 | 300 |
| CE201210-R27J | 270 | ± 5 | 20 | 50 | 300 | 1300 | 300 |
| CE201210-R33J | 330 | ± 5 | 22 | 50 | 250 | 1400 | 300 |
| CE201210-R39J | 390 | ± 5 | 17 | 50 | 250 | 1300 | 300 |
| CE201210-R47J | 470 | ± 5 | 17 | 50 | 200 | 1500 | 300 |

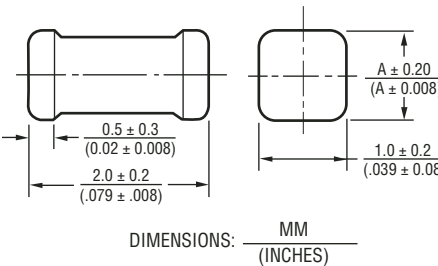
General Specifications

Temperature Rise30 °C max. at rated current
 Operating Temperature ..-55 °C to +125 °C
 Storage Temperature...-55 °C to +125 °C
 Reflow Soldering ...230 °C, 50 sec. max.
 Resistance to Soldering Heat260 °C, 10 seconds

Materials

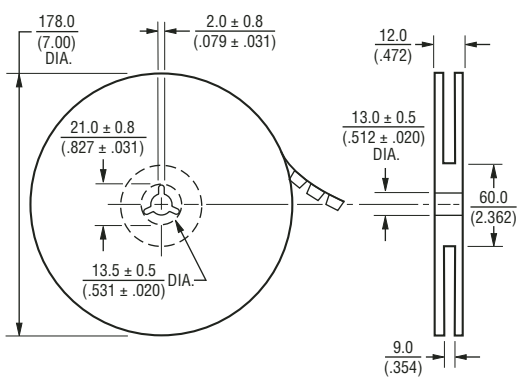
Base MaterialCeramic
 Terminal.....Ag/Ni/Sn
 Packaging:
 0.85 mm product height4,000 pcs. per reel
 1.00 mm product height4,000 pcs. per reel
 1.25 mm product height2,000 pcs. per reel

Product Dimensions

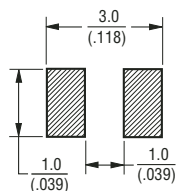


| Model | Dimension A |
|-------------------------------------|------------------------|
| CE201210-1N5D through CE201210-82NJ | $\frac{0.85}{(0.033)}$ |
| CE201210-R10J through CE201210-R39J | $\frac{1.00}{(0.039)}$ |
| CE201210-R47J | $\frac{1.25}{(0.050)}$ |

Packaging Specifications



Recommended Layout



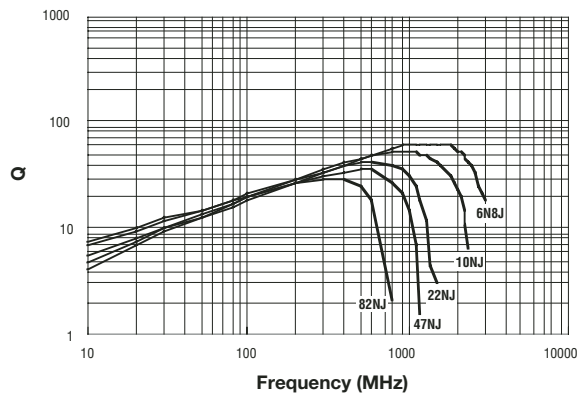
*RoHS Directive 2002/95/EC Jan 27 2003 including Annex Specifications are subject to change without notice. Customers should verify actual device performance in their specific applications.

CE201210 Series - Multi-Layer Chip Inductors

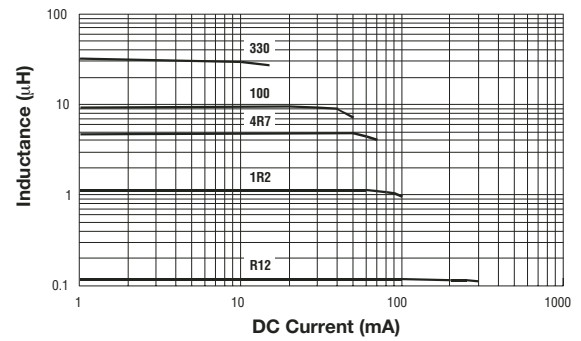
BOURNS®

Electrical Specifications

Q Characteristics



DC Bias Characteristics



REV. 09/20/05

Specifications are subject to change without notice.
Customers should verify actual device performance in their specific applications.