



Size 4,8 x 4,8 x 1,2 mm

Rated inductance 1 μ H .. 47 μ H

Construction

- Ferrite core
- Plastic protection case
- Winding: enamel copper wire
- Winding welded to terminals

Features

- Low profile
- High rated current
- Low DC resistance
- Suitable for lead free reflow soldering

Applications

- Filtering of supply voltages
- Coupling, decoupling
- DC/DC converters

Terminals

- Lead free tinned

Marking

Marking on component:

Manufacturer, L-value (coded in μ H), date code

Minimum marking on reel:

Manufacturer, part number, ordering code,

L value and tolerance

quantity, date of packing

Delivery mode

Blister tape 12 mm, reel packing \varnothing 180 mm

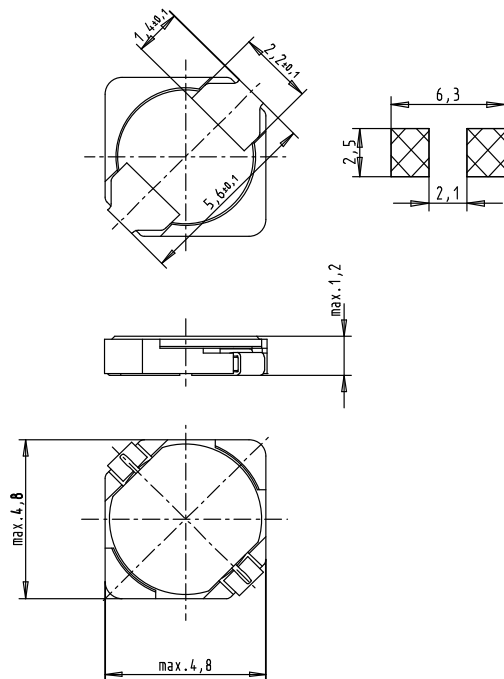
packaging quantity 1000 pcs per reel

SMD

General technical data

Rated inductance L_R	Measured with HP 4294A , measuring voltage 100 mV
Rated current I_R	Maximum permissible DC with temperature increase of ≤ 40 K at ambient temperature of 85°C or inductance decrease $\Delta L/L_0 \leq 10\%$
Climatic category	In accordance with IEC 60068-1 55/125/56 ($-55^\circ\text{C}/ +125^\circ\text{C}/ 56$ days damp heat test)
Solderability	3 s, 235°C , wetting $> 90\%$
DC resistance R_{max}	Measured at 20°C ambient temperature
Weight	Approx. 0,2 g

Dimensional drawing and layout recommendation

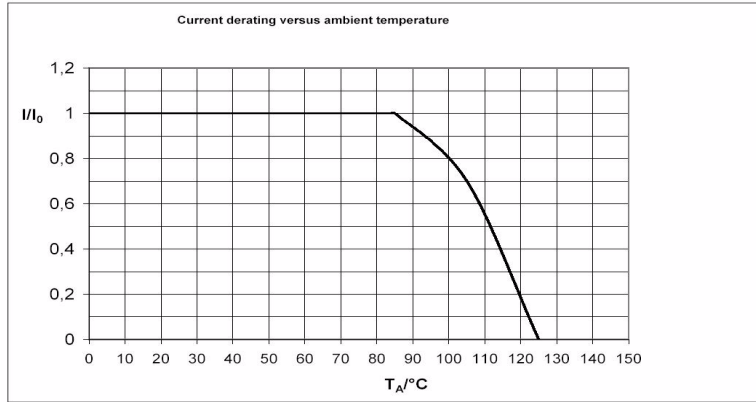



Characteristics and ordering codes

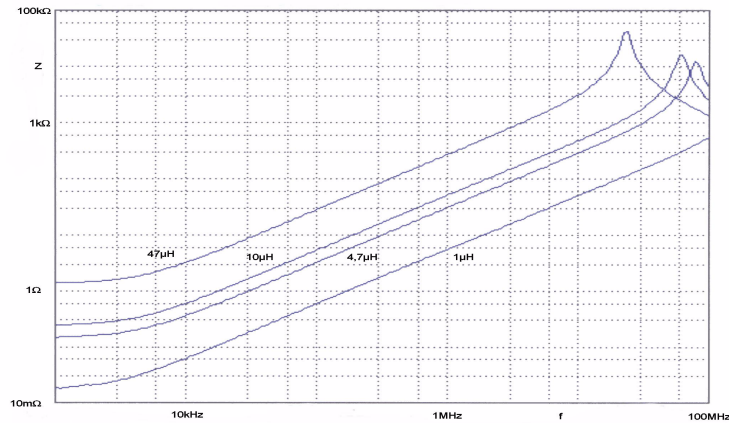
L_R μH	f_L MHz	Tolerance	I_R A	R_{\max} Ω	Ordering code
1	0,1	20 %	1,80	0,045	B82470-A1102-M
1,2	0,1	20 %	1,60	0,060	B82470-A1122-M
2,2	0,1	20 %	1,35	0,090	B82470-A1222-M
3,3	0,1	20 %	1,10	0,120	B82470-A1332-M
4,7	0,1	20 %	0,95	0,190	B82470-A1472-M
6,8	0,1	20 %	0,85	0,228	B82470-A1682-M
10	0,1	20 %	0,75	0,305	B82470-A1103-M
15	0,1	20 %	0,58	0,480	B82470-A1153-M
22	0,1	20 %	0,48	0,690	B82470-A1223-M
33	0,1	20 %	0,38	1,10	B82470-A1333-M
47	0,1	20 %	0,32	1,50	B82470-A1473-M



Typical diagrams:



Impedance versus frequency



Inductance derating versus load current

