

SMD Choke Coils

Singapore

Series: **M**

Type: **ELL5□M**



Type ELL5□M

■ Features

- Magnetic shielded structure
- Low DC resistance and large current capability
- Shock resistant structure
- Available on tape and reel for automatic insertion

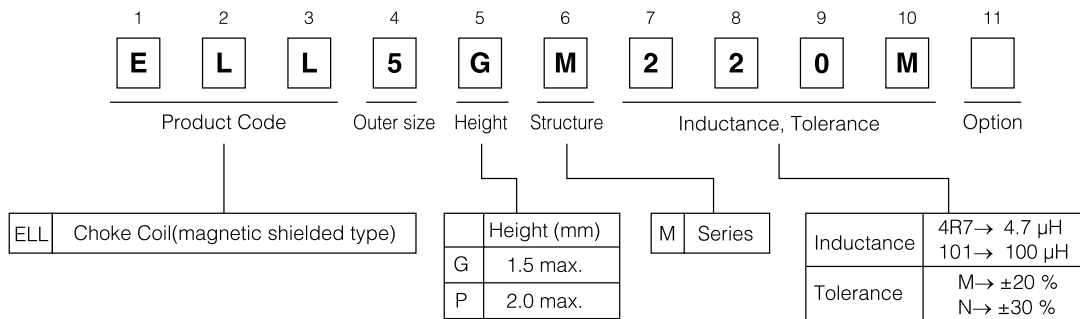
■ Recommended Applications

- DC/DC converter circuitry for computer peripherals and cellular hand sets.
- Chopper circuit decoupling chokes in DC/DC converter circuitry

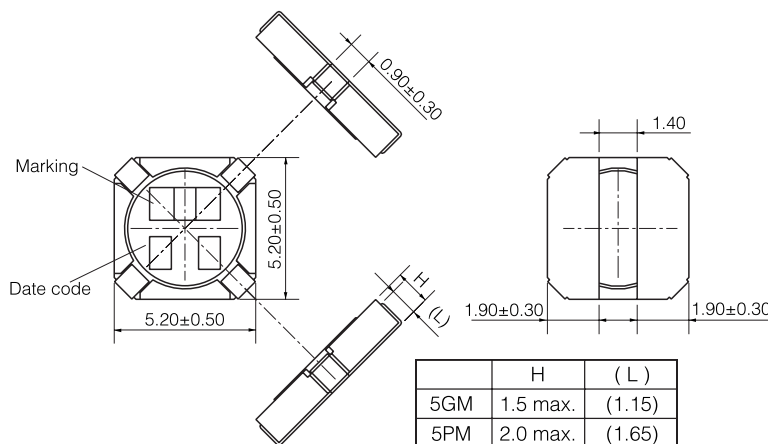
■ Standard Packing Quantity

- 2000 pcs./Reel

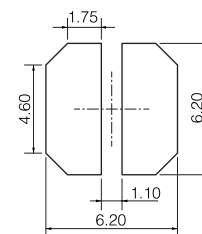
■ Explanation of Part Numbers



■ Dimensions in mm (not to scale)



■ Recommended Land Pattern in mm (not to scale)



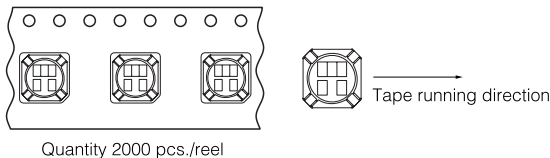
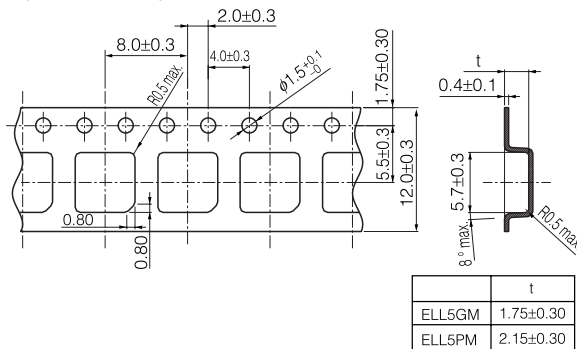
Design and specifications are each subject to change without notice. Ask factory for the current technical specifications before purchase and/or use. Should a safety concern arise regarding this product, please be sure to contact us immediately.

Standard Parts

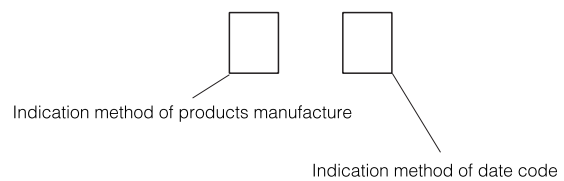
Part No.	Inductance (100 kHz)		Rdc (at 20 °C)		* Current (mA) max.	Marking	
	(μH)	Tolerance	(mΩ)	Tolerance			
ELL5GM1R0N	1.0	±30 %	32	±20 %	2200	1R0	
ELL5GM2R2N	2.2		53				
ELL5GM3R6N	3.6		70				
ELL5GM4R7N	4.7		92				
ELL5GM5R6N	5.6		100				
ELL5GM6R8N	6.8		120				
ELL5GM8R2N	8.2		140				
ELL5GM100M	10.0		150				
ELL5GM120M	12.0	±20 %	210		750	100	
ELL5GM150M	15.0		250		700	120	
ELL5GM180M	18.0		270		650	150	
ELL5GM220M	22.0		380		600	180	
ELL5GM270M	27.0		430		500	220	
ELL5GM330M	33.0		490		450	270	
ELL5PM1R2N	1.2		±30 %		23	400	330
ELL5PM1R8N	1.8				27	2500	1R2
ELL5PM2R4N	2.4	32			2300	1R8	
ELL5PM3R0N	3.0	36			2050	2R4	
ELL5PM3R9N	3.9	47			1800	3R0	
ELL5PM4R7N	4.7	53			1600	3R9	
ELL5PM5R6N	5.6	68			1500	4R7	
ELL5PM6R8N	6.8	74			1350	5R6	
ELL5PM8R2N	8.2	81	1200		6R8		
ELL5PM100M	10.0	±20 %	97		1050	8R2	
ELL5PM120M	12.0		120		1000	100	
ELL5PM150M	15.0		140		850	120	
ELL5PM180M	18.0		180		800	150	
ELL5PM220M	22.0		210		720	180	
ELL5PM270M	27.0		230	680	220		
ELL5PM330M	33.0		270	550	270		
ELL5PM390M	39.0		390	530	330		
ELL5PM470M	47.0	440	480	390			
ELL5PM560M	56.0	610	450	470			
ELL5PM680M	68.0	700	400	560			
ELL5PM820M	82.0	780	350	680			
				320	820		

* Current: This indicates the value of current when the inductance is 70% of nominal value or when the case temperature has risen 45 °C (at 20 °C)

Embossed Carrier Tape Dimensions in mm (not to scale)



Date code



Year	Month											
	1	2	3	4	5	6	7	8	9	10	11	12
Odd year	A	B	C	D	E	F	H	I	J	K	L	M
Even year	N	O	P	R	S	T	U	V	W	X	Y	Z

Design and specifications are each subject to change without notice. Ask factory for the current technical specifications before purchase and/or use. Should a safety concern arise regarding this product, please be sure to contact us immediately.