

SMD Choke Coils

Series: **G**
 Type: **ELL6GG**
ELL6PG



Type ELL6GG/6PG

■ Features

- Magnetic shielded structure
- Low DC resistance and large current capability

■ Recommended Applications

- DC-DC converter circuitry for computer peripherals and cellular phones.
- Chopper circuit decoupling chokes for DC-DC converter circuitry.

■ Standard Packing Quantity

- 1000 pcs./Reel

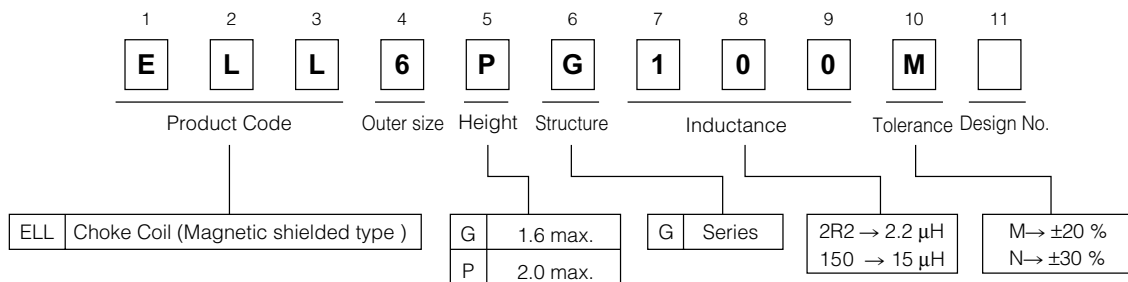
■ Soldering Conditions

Please see Page 169

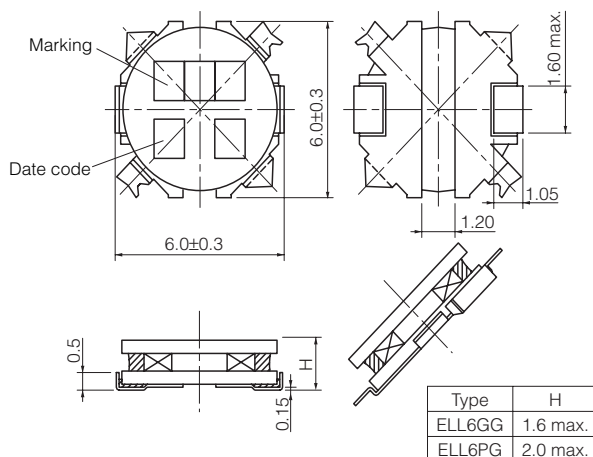
■ Safety Precautions

Please see Page 170

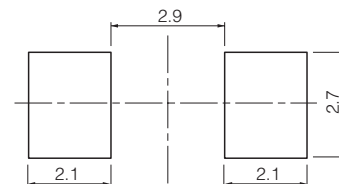
■ Explanation of Part Numbers



■ Dimensions in mm (not to scale)



■ Recommended land patterns in mm (not to scale)



Design and specifications are each subject to change without notice. Ask factory for the current technical specifications before purchase and/or use. Should a safety concern arise regarding this product, please be sure to contact us immediately.

00 Sep. 2010

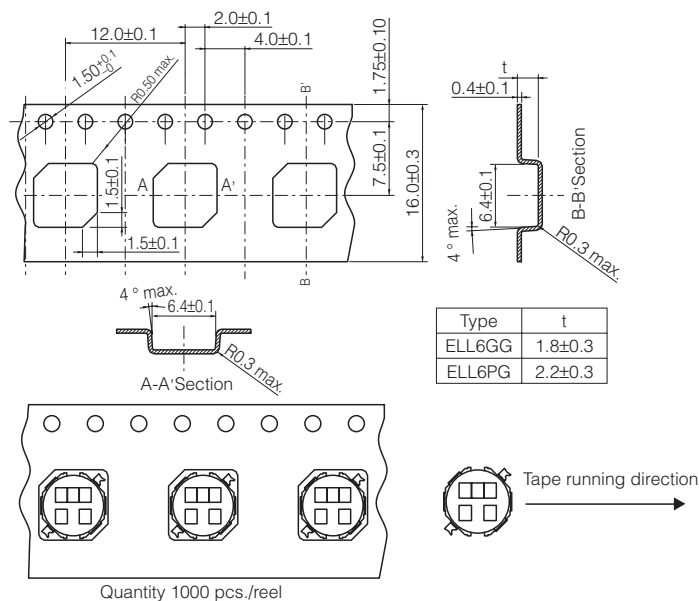
Standard Parts

| Series | Part Number | Inductance (100 kHz) | | R _{DC} (at 20 °C) | | Saturation Rated Current* ¹ (mA max.) | Temperature Rise Current* ² (mA max.) | Marking |
|---------------|-------------|-------------------------|-------|-------------------------------|-------|--|--|---------|
| | | (μH) | Tol. | (mΩ) | Tol. | | | |
| 6GG Series | ELL6GG1R0N | 1.0 | ±30 % | 27 | ±20 % | 2500 | 2500 | 1R0 |
| | ELL6GG1R5N | 1.5 | | 36 | | 2300 | 2250 | 1R5 |
| | ELL6GG2R2M | 2.2 | | 45 | | 1950 | 2000 | 2R2 |
| | ELL6GG2R7M | 2.7 | 54 | 1850 | | 1800 | 2R7 | |
| | ELL6GG3R9M | 3.9 | 60 | 1650 | | 1700 | 3R9 | |
| | ELL6GG4R7M | 4.7 | 70 | 1400 | | 1550 | 4R7 | |
| | ELL6GG6R8M | 6.8 | 110 | 1150 | | 1300 | 6R8 | |
| | ELL6GG100M | 10.0 | 170 | 900 | | 1000 | 100 | |
| | ELL6GG150M | 15.0 | 210 | 800 | | 900 | 150 | |
| | ELL6GG220M | 22.0 | 300 | 620 | | 850 | 220 | |
| | ELL6GG330M | 33.0 | 510 | 490 | | 580 | 330 | |
| | ELL6GG470M | 47.0 | 610 | 400 | | 480 | 470 | |
| | ELL6GG680M | 68.0 | 860 | 380 | | 410 | 680 | |
| | ELL6GG101M | 100.0 | 1480 | 300 | | 350 | 101 | |
| 6PG Series | ELL6PGR08N | 0.8 | ±30 % | 24 | ±20 % | 3800 | 2800 | R08 |
| | ELL6PG1R5N | 1.5 | | 30 | | 2500 | 2500 | 1R5 |
| | ELL6PG2R2N | 2.2 | | 37 | | 2200 | 2200 | 2R2 |
| | ELL6PG3R3N | 3.3 | | 44 | | 1700 | 2000 | 3R3 |
| | ELL6PG3R9N | 3.9 | | 51 | | 1600 | 1900 | 3R9 |
| | ELL6PG4R7N | 4.7 | | 58 | | 1500 | 1750 | 4R7 |
| | ELL6PG5R6N | 5.6 | 65 | 1450 | | 1650 | 5R6 | |
| | ELL6PG6R8N | 6.8 | 70 | 1400 | | 1600 | 6R8 | |
| | ELL6PG100M | 10.0 | 110 | 1300 | | 1300 | 100 | |
| | ELL6PG120M | 12.0 | 140 | 1100 | | 1200 | 120 | |
| | ELL6PG150M | 15.0 | 150 | 1000 | | 1100 | 150 | |
| | ELL6PG220M | 22.0 | 230 | 800 | | 900 | 220 | |
| | ELL6PG270M | 27.0 | 260 | 730 | | 800 | 270 | |
| | ELL6PG330M | 33.0 | 300 | 700 | | 750 | 330 | |
| | ELL6PG470M | 47.0 | 470 | 550 | | 600 | 470 | |
| | ELL6PG560M | 56.0 | 520 | 500 | | 550 | 560 | |
| | ELL6PG680M | 68.0 | 700 | 420 | | 500 | 680 | |
| | ELL6PG820M | 82.0 | 800 | 400 | | 450 | 820 | |
| ELL6PG101M | 100.0 | 1000 | 380 | 400 | 101 | | | |

*1 Saturation Rated Current : This DC current which causes a 30 % inductance reduction from its nominal value.

*2 Temperature Rise Current : This indicates the value of current when temperature rise dt/t= 40 °C (at 20 °C).

Embossed Carrier Tape Dimensions in mm (not to scale)



Design and specifications are each subject to change without notice. Ask factory for the current technical specifications before purchase and/or use. Should a safety concern arise regarding this product, please be sure to contact us immediately.