



Features

- Maximum height of 1.3 mm
- Current up to 2.2 A
- Lead free
- RoHS compliant*

Applications

- Input/output of DC/DC converters
- Power supplies for:
 - Portable communication equipment
 - Camcorders
 - LCD TVs
 - Car radios

SRU2013 Series - Shielded SMD Power Inductors

Electrical Specifications

Bourns Part No.	Inductance 100 KHz		Q Ref.	Test Frequency (MHz)	SRF Typ. (MHz)	RDC Max. (mΩ)	I rms Max. (A)	I sat Typ. (A)	Marking
	(μH)	Tol. %							
SRU2013-1R0Y	1.0	± 30	9	7.96	180	65	2.20	1.60	A
SRU2013-2R2Y	2.2	± 30	10	7.96	100	120	1.45	0.95	C
SRU2013-3R3Y	3.3	± 30	10	7.96	80	135	1.00	0.86	E
SRU2013-4R7Y	4.7	± 30	10	7.96	72	220	0.90	0.75	F
SRU2013-6R8Y	6.8	± 30	10	7.96	60	330	0.80	0.60	G
SRU2013-100Y	10	± 30	12	2.52	40	520	0.67	0.45	H
SRU2013-150Y	15	± 30	12	2.52	30	850	0.46	0.40	I
SRU2013-220Y	22	± 30	12	2.52	25	880	0.40	0.35	J
SRU2013-330Y	33	± 30	12	2.52	20	1820	0.30	0.25	K
SRU2013-470Y	47	± 30	14	2.52	15	2860	0.25	0.23	L

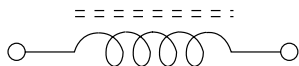
General Specifications

Test Voltage.....0.1 V
 Reflow Soldering ...230 °C, 50 sec. max.
 Operating Temperature ..-40 °C to +125 °C
 (Temperature rise included)
 Storage Temperature...-40 °C to +125 °C
 Resistance to Soldering Heat
260 °C for 10 sec.

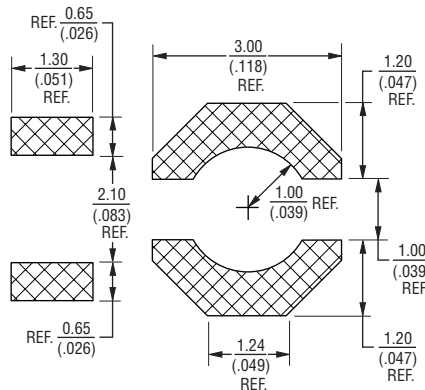
Materials

Core.....Ferrite DR and RI core
 TerminalAg/Ni/Sn
 Rated Current
Ind. drop 35 % typ. at Isat
 Temperature Rise
40 °C max. at rated I rms
 Packaging.....1,200 pcs. per reel

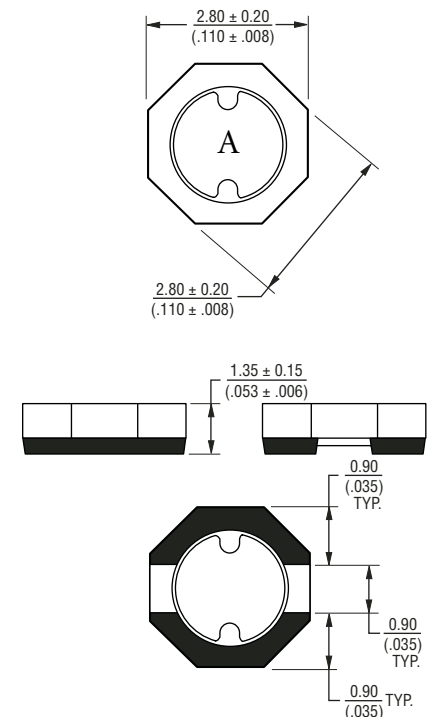
Electrical Schematic



Recommended Layout



Product Dimensions



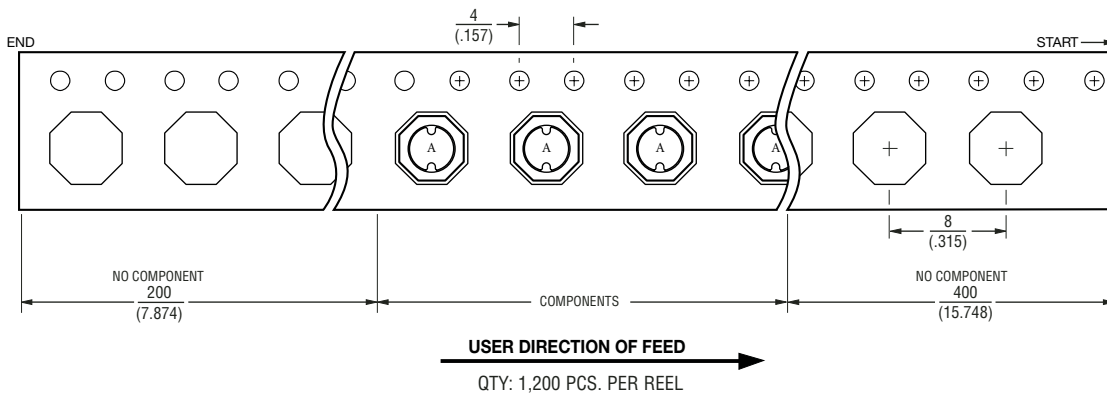
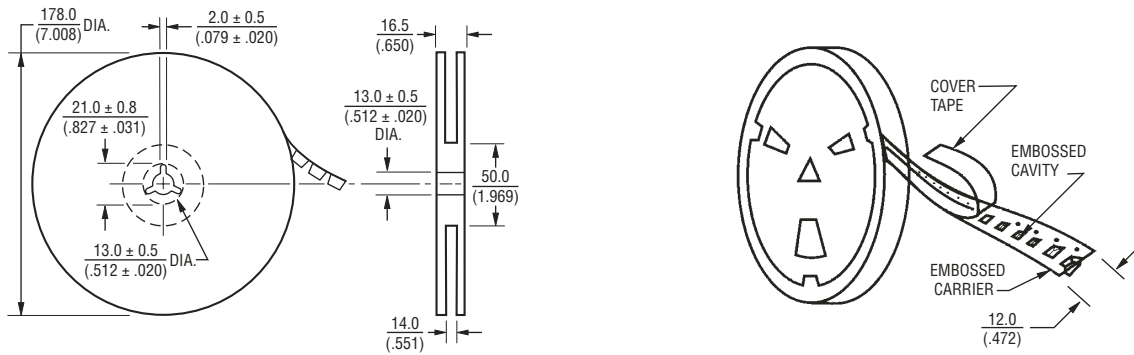
DIMENSIONS: $\frac{\text{MM}}{\text{(INCHES)}}$

*RoHS Directive 2002/95/EC Jan 27 2003 including Annex
 Specifications are subject to change without notice.
 Customers should verify actual device performance in their specific applications.

SRU2013 Series - Shielded SMD Power Inductors

BOURNS®

Packaging Specifications



DIMENSIONS: $\frac{\text{MM}}{\text{(INCHES)}}$