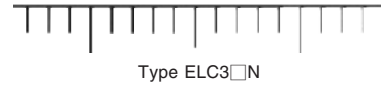


## SMD Choke Coils

Singapore

Series: **N**

Type: **ELC3□N**



Type ELC3□N

### ■ Features

- Low DC resistance and large current capability
- Available on tape and reel for automatic insertion
- Shock resistant

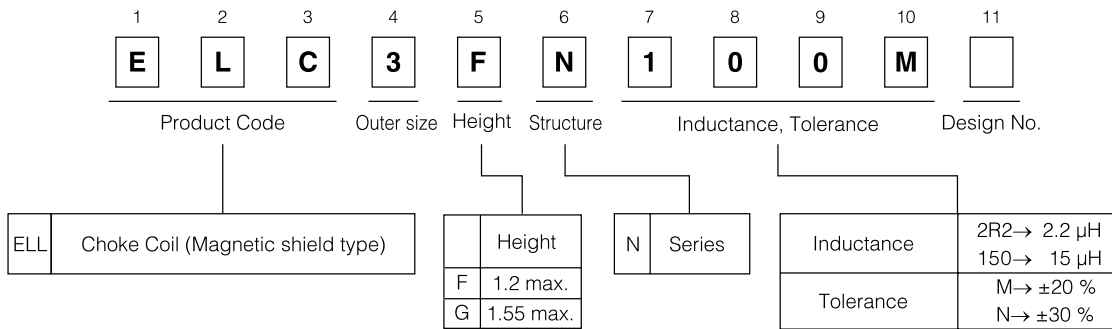
### ■ Recommended Applications

- DC/DC converter circuitry for computer peripherals and cellular hand sets.
- Chopper circuit decoupling chokes in DC/DC converter circuitry

### ■ Standard Packing Quantity

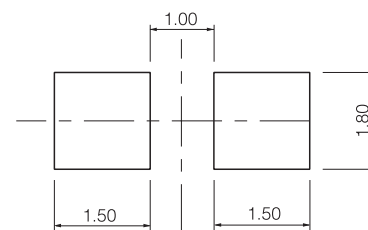
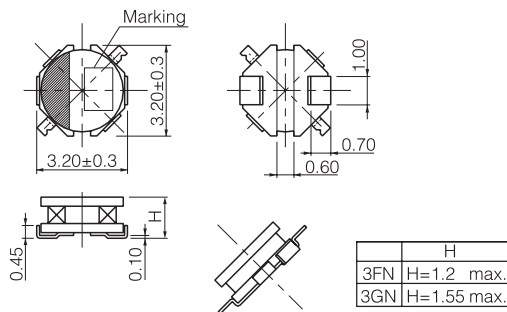
- 2000 pcs./Reel

### ■ Explanation of Part Numbers



### ■ Dimensions in mm (not to scale)

### ■ Recommended land patterns in mm (not to scale)



Design and specifications are each subject to change without notice. Ask factory for the current technical specifications before purchase and/or use. Should a safety concern arise regarding this product, please be sure to contact us immediately.

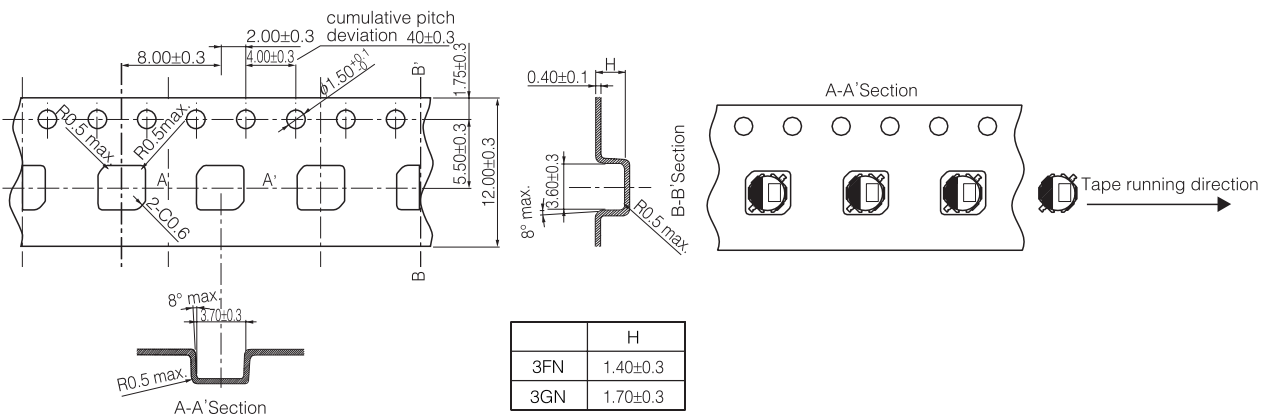
**NEW**

■ Standard Parts

Part Number	Inductance (100kHz)		R <sub>bc</sub> (at 20 °C)		*Rated Current (mA max.)	Marking
	(μH)	Tol.	(mΩ)	Tol.		
ELC3FN1R0N	1.0	±30%	80	±20%	1400	A
ELC3FN1R8N	1.8		110		C	
ELC3FN2R2N	2.2		120		D	
ELC3FN2R7N	2.7		150		E	
ELC3FN3R9N	3.9		240		F	
ELC3FN4R7N	4.7		280		H	
ELC3FN5R6N	5.6		310		I	
ELC3FN6R8N	6.8		360		K	
ELC3FN7R5N	7.5		390		L	
ELC3FN100M	10.0		430		M	
ELC3FN150M	15.0	±20%	1000	±20%	370	O
ELC3FN220M	22.0		1180		330	R
ELC3FN330M	33.0		1900		260	T
ELC3FN470M	47.0		2450		230	V
ELC3FN680M	68.0		4200		170	X
ELC3GN1R0N	1.0		±30%		64	±20%
ELC3GN1R6N	1.6	83		1200	C	
ELC3GN2R2N	2.2	100		1000	D	
ELC3GN3R3N	3.3	130		970	M	
ELC3GN4R7N	4.7	200		760	E	
ELC3GN6R8N	6.8	250		680	H	
ELC3GN8R2N	8.2	410		540	L	
ELC3GN100M	10.0	430		530	M	
ELC3GN150M	15.0	600		430	O	
ELC3GN220M	22.0	950		330	R	
ELC3GN330M	33.0	1400	280	T		
ELC3GN470M	47.0	1950	240	V		
ELC3GN680M	68.0	3000	190	X		

\* Current: This indicates the value of current when the inductance is 70% of nominal value and case temperature has risen 45 °C (at 20°C)

■ Embossed Carrier Tape Dimensions in mm (not to scale)



Design and specifications are each subject to change without notice. Ask factory for the current technical specifications before purchase and/or use. Should a safety concern arise regarding this product, please be sure to contact us immediately.