

## 6. Low DC Resistance Type EA



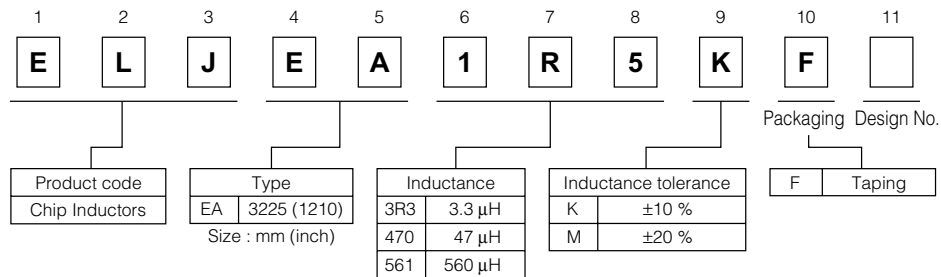
### ■ Features

- Low DCR, suitable for power circuitry.
- Magnetic shield effect using ferrite mixed outer molding.
- Capable of being Re-flow or flow soldered.
- Good for mounting.

### ■ Recommended Applications

- AV equipment, Wireless communication equipment and various types of general electronic equipment.

### ■ Explanation of Part Numbers



### ■ Storage Conditions

- Package : Normal temperature (−5 to 35 °C), normal humidity (85 %RH max.), shall not be exposed to direct sunlight and harmful gases and care should be taken so as not to cause dew.
- Operating Temperature : −20 to +85 °C

### ■ Storage Period

- Solderability may be reduced due to the conditions of high temperature and high humidity which causes the oxidation of tin-plated terminals. Even if storage conditions are within specified limits, solderability may be reduced with the passage of time. Therefore, please control the storage conditions and try to use the product within 6 months of receipt.

■ Packaging Methods Please see Page 127

■ Soldering Conditions Please see Page 128

■ Safety Precautions Please see Page 129

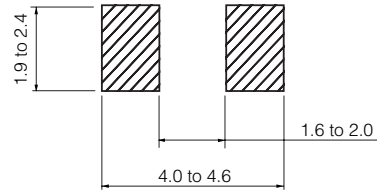
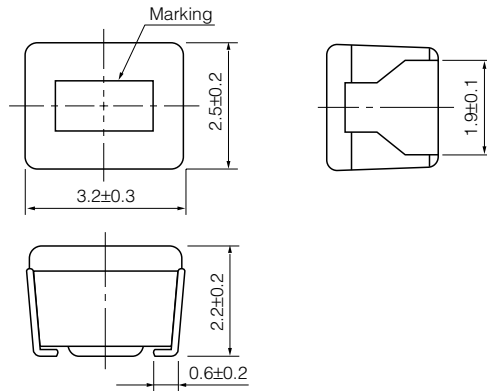
Design and specifications are each subject to change without notice. Ask factory for the current technical specifications before purchase and/or use. Should a safety concern arise regarding this product, please be sure to contact us immediately.

00 Sep. 2010

### ■ EA Type 3225 (1210)

● Dimensions in mm (not to scale)

● Recommended Land Pattern in mm (not to scale)



### ■ Standard Packing Quantity

● 2000 pcs./Reel

### ■ Standard Parts

| Part No.    | Inductance |               |                  | Q    |                  | SRF *1<br>(MHz) min. | R <sub>bc</sub> *2<br>(Ω) ±30% | DC Current<br>(mA) max. |     |     |    |
|-------------|------------|---------------|------------------|------|------------------|----------------------|--------------------------------|-------------------------|-----|-----|----|
|             | (μH)       | Tolerance (%) | Test Freq. (MHz) | min. | Test Freq. (MHz) |                      |                                |                         |     |     |    |
| ELJ EA1R0MF | 1.0        | M : ±20 %     | 7.96             | 7    | 7.96             | 100                  | 0.07                           | 500                     |     |     |    |
| ELJ EA1R5MF | 1.5        |               |                  |      |                  | 80                   | 0.08                           | 390                     |     |     |    |
| ELJ EA2R2MF | 2.2        |               |                  |      |                  | 65                   | 0.10                           | 350                     |     |     |    |
| ELJ EA3R3MF | 3.3        |               |                  |      |                  | 50                   | 0.12                           | 270                     |     |     |    |
| ELJ EA4R7MF | 4.7        |               |                  |      |                  | 46                   | 0.14                           | 240                     |     |     |    |
| ELJ EA6R8MF | 6.8        |               |                  |      |                  | 36                   | 0.19                           | 200                     |     |     |    |
| ELJ EA100KF | 10         | K : ±10 %     | 2.52             | 10   | 2.52             | 29                   | 0.26                           | 160                     |     |     |    |
| ELJ EA150KF | 15         |               |                  |      |                  | 25                   | 0.32                           | 145                     |     |     |    |
| ELJ EA220KF | 22         |               |                  |      |                  | 18                   | 0.50                           | 115                     |     |     |    |
| ELJ EA330KF | 33         |               |                  |      |                  | 16                   | 0.70                           | 95                      |     |     |    |
| ELJ EA470KF | 47         |               |                  |      |                  | 13                   | 1.0                            | 80                      |     |     |    |
| ELJ EA680KF | 68         |               |                  |      |                  | 10                   | 1.5                            | 60                      |     |     |    |
| ELJ EA101KF | 100        |               |                  |      |                  | 0.796                | 20                             | 0.796                   | 8.0 | 2.4 | 50 |
| ELJ EA151KF | 150        |               |                  |      |                  |                      |                                |                         | 7.0 | 3.1 | 45 |
| ELJ EA221KF | 220        |               |                  |      |                  |                      |                                |                         | 5.0 | 5.5 | 35 |
| ELJ EA331KF | 330        |               |                  |      |                  |                      |                                |                         | 4.0 | 7.1 | 30 |

\*1 : Self Resonant Frequency \*2 : DC Resistance