

## 1. High Frequency Use (Non Magnetic Core) RF, RE, ND, NC, NA



### ■ Features

- High frequency capability due to its non magnetic core.
- Capable of being Re-flow or flow soldered.
- Wide line-up from 1005 to 3225 case sizes.
- Good for mounting.

### ■ Recommended Applications

- RF circuitry for cellular phones and wireless communication equipment.

### ■ Explanation of Part Numbers



### ■ Storage Conditions

- Package : Normal temperature (−5 to 35 °C), normal humidity (85 %RH max.), shall not be exposed to direct sunlight and harmful gases and care should be taken so as not to cause dew.
- Operating Temperature : −20 to +85 °C

### ■ Storage Period

- Solderability may be reduced due to the conditions of high temperature and high humidity which causes the oxidation of tin-plated terminals. Even if storage conditions are within specified limits, solderability may be reduced with the passage of time. Therefore, please control the storage conditions and try to use the product within 6 months of receipt.

■ Packaging Methods                      Please see Page 127

■ Soldering Conditions                      Please see Page 128

■ Safety Precautions                      Please see Page 129

Design and specifications are each subject to change without notice. Ask factory for the current technical specifications before purchase and/or use. Should a safety concern arise regarding this product, please be sure to contact us immediately.

00 Sep. 2010

■ RF Type 1005 (0402)

● Dimensions in mm (not to scale)



● Recommended Land Pattern in mm (not to scale)



■ Standard Packing Quantity

- 10000 pcs./Reel

■ Standard Parts (E12 series)

| Part No.    | Inductance |                            |                     | Q    |                     | SRF *1<br>(MHz) min. | R <sub>DC</sub> *2<br>(Ω) max. | DC Current<br>(mA) max. |
|-------------|------------|----------------------------|---------------------|------|---------------------|----------------------|--------------------------------|-------------------------|
|             | (nH)       | Tolerance (%)              | Test Freq.<br>(MHz) | min. | Test Freq.<br>(MHz) |                      |                                |                         |
| ELJRF1N0□FB | 1.0        | D : ±0.3 nH<br>Z : ±0.2 nH | 100                 | 8    | 100                 | 6000                 | 0.05                           | 400                     |
| ELJRF1N2□FB | 1.2        |                            |                     |      |                     | 6000                 | 0.06                           | 400                     |
| ELJRF1N5□FB | 1.5        |                            |                     |      |                     | 6000                 | 0.07                           | 400                     |
| ELJRF1N8□FB | 1.8        |                            |                     |      |                     | 6000                 | 0.08                           | 400                     |
| ELJRF2N2□FB | 2.2        |                            |                     |      |                     | 6000                 | 0.09                           | 400                     |
| ELJRF2N7□FB | 2.7        |                            |                     |      |                     | 5500                 | 0.10                           | 400                     |
| ELJRF3N3□FB | 3.3        |                            |                     |      |                     | 5500                 | 0.12                           | 400                     |
| ELJRF3N9□FB | 3.9        |                            |                     |      |                     | 5200                 | 0.15                           | 360                     |
| ELJRF4N7□FB | 4.7        |                            |                     |      |                     | 4800                 | 0.17                           | 360                     |
| ELJRF5N6□FB | 5.6        |                            |                     |      |                     | 4600                 | 0.19                           | 340                     |
| ELJRF6N8□FB | 6.8        | J : ±5 %<br>G : ±2 %       | 100                 | 8    | 100                 | 4000                 | 0.30                           | 320                     |
| ELJRF8N2□FB | 8.2        |                            |                     |      |                     | 3500                 | 0.35                           | 320                     |
| ELJRF10N□FB | 10         |                            |                     |      |                     | 2800                 | 0.41                           | 320                     |
| ELJRF12N□FB | 12         |                            |                     |      |                     | 2800                 | 0.45                           | 320                     |
| ELJRF15N□FB | 15         |                            |                     |      |                     | 2500                 | 0.60                           | 240                     |
| ELJRF18N□FB | 18         |                            |                     |      |                     | 2200                 | 0.70                           | 240                     |
| ELJRF22N□FB | 22         |                            |                     |      |                     | 2000                 | 0.80                           | 200                     |
| ELJRF27N□FB | 27         |                            |                     |      |                     | 1800                 | 1.20                           | 200                     |
| ELJRF33N□FB | 33         |                            |                     |      |                     | 1800                 | 1.40                           | 170                     |
| ELJRF39N□FB | 39         |                            |                     |      |                     | 1800                 | 1.70                           | 150                     |
| ELJRF47N□FB | 47         | 1800                       | 2.10                | 140  |                     |                      |                                |                         |
| ELJRF56N□FB | 56         | 1500                       | 2.50                | 130  |                     |                      |                                |                         |
| ELJRF68N□FB | 68         | 1500                       | 4.00                | 120  |                     |                      |                                |                         |
| ELJRF82N□FB | 82         | 1400                       | 4.50                | 110  |                     |                      |                                |                         |
| ELJRF10□FB  | 100        | 1200                       | 5.50                | 90   |                     |                      |                                |                         |

□ : Symbol of Tolerance \*1 : Self Resonant Frequency \*2 : DC Resistance

■ Standard Parts (E24 series)

| Part No.    | Inductance |                            |                     | Q    |                     | SRF *1<br>(MHz) min. | R <sub>DC</sub> *2<br>(Ω) max. | DC Current<br>(mA) max. |
|-------------|------------|----------------------------|---------------------|------|---------------------|----------------------|--------------------------------|-------------------------|
|             | (nH)       | Tolerance (%)              | Test Freq.<br>(MHz) | min. | Test Freq.<br>(MHz) |                      |                                |                         |
| ELJRF2N0□FB | 2.0        | D : ±0.3 nH<br>Z : ±0.2 nH | 100                 | 8    | 100                 | 6000                 | 0.08                           | 400                     |
| ELJRF2N4□FB | 2.4        |                            |                     |      |                     | 6000                 | 0.09                           | 400                     |
| ELJRF3N0□FB | 3.0        |                            |                     |      |                     | 5500                 | 0.11                           | 400                     |
| ELJRF3N6□FB | 3.6        |                            |                     |      |                     | 5300                 | 0.14                           | 380                     |
| ELJRF4N3□FB | 4.3        |                            |                     |      |                     | 5000                 | 0.16                           | 360                     |
| ELJRF5N1□FB | 5.1        |                            |                     |      |                     | 4700                 | 0.18                           | 350                     |
| ELJRF6N2□FB | 6.2        |                            |                     |      |                     | 4300                 | 0.25                           | 330                     |
| ELJRF7N5□FB | 7.5        |                            |                     |      |                     | 3700                 | 0.33                           | 320                     |
| ELJRF9N1□FB | 9.1        |                            |                     |      |                     | 3100                 | 0.38                           | 320                     |
| ELJRF11N□FB | 11         |                            |                     |      |                     | 2800                 | 0.43                           | 320                     |
| ELJRF13N□FB | 13         | J : ±5 %<br>G : ±2 %       | 100                 | 8    | 100                 | 2600                 | 0.53                           | 280                     |
| ELJRF16N□FB | 16         |                            |                     |      |                     | 2300                 | 0.65                           | 240                     |
| ELJRF20N□FB | 20         |                            |                     |      |                     | 2100                 | 0.75                           | 220                     |
| ELJRF24N□FB | 24         |                            |                     |      |                     | 1900                 | 1.00                           | 200                     |
| ELJRF30N□FB | 30         |                            |                     |      |                     | 1800                 | 1.30                           | 190                     |
| ELJRF36N□FB | 36         |                            |                     |      |                     | 1800                 | 1.60                           | 160                     |
| ELJRF43N□FB | 43         |                            |                     |      |                     | 1800                 | 1.90                           | 150                     |

□ : Symbol of Tolerance \*1 : Self Resonant Frequency \*2 : DC Resistance

Design and specifications are each subject to change without notice. Ask factory for the current technical specifications before purchase and/or use. Should a safety concern arise regarding this product, please be sure to contact us immediately.

00 Sep. 2010

### ■ ELJRF Type

#### ■ Typical Characteristics



#### ■ Reference Date

| Part No     | Inductance (nH)(Typ.) |        |        |        |        | Q(Typ.) |        |        |        |        |
|-------------|-----------------------|--------|--------|--------|--------|---------|--------|--------|--------|--------|
|             | 800MHz                | 900MHz | 1.8GHz | 2.0GHz | 2.4GHz | 800MHz  | 900MHz | 1.8GHz | 2.0GHz | 2.4GHz |
| ELJRF1N0□FB | 0.95                  | 0.95   | 0.96   | 0.96   | 0.97   | 31.8    | 33.8   | 47.2   | 49.6   | 54.0   |
| ELJRF1N2□FB | 1.23                  | 1.24   | 1.24   | 1.25   | 1.25   | 31.0    | 33.0   | 43.4   | 45.6   | 49.7   |
| ELJRF1N5□FB | 1.51                  | 1.51   | 1.53   | 1.53   | 1.54   | 32.9    | 34.9   | 48.6   | 50.9   | 55.4   |
| ELJRF1N8□FB | 1.85                  | 1.85   | 1.87   | 1.88   | 1.90   | 31.1    | 33.1   | 45.9   | 48.1   | 52.1   |
| ELJRF2N2□FB | 2.11                  | 2.12   | 2.15   | 2.16   | 2.19   | 28.3    | 30.1   | 41.6   | 43.6   | 47.2   |
| ELJRF2N7□FB | 2.63                  | 2.63   | 2.68   | 2.70   | 2.73   | 28.0    | 28.7   | 39.6   | 41.4   | 44.7   |
| ELJRF3N3□FB | 3.27                  | 3.28   | 3.35   | 3.37   | 3.42   | 29.9    | 31.7   | 43.7   | 45.7   | 49.2   |
| ELJRF3N9□FB | 3.73                  | 3.74   | 3.82   | 3.85   | 3.91   | 29.7    | 31.5   | 43.4   | 45.4   | 48.8   |
| ELJRF4N7□FB | 4.77                  | 4.78   | 4.92   | 4.96   | 5.07   | 33.9    | 35.9   | 49.0   | 51.1   | 54.6   |
| ELJRF5N6□FB | 5.70                  | 5.70   | 5.80   | 5.90   | 6.20   | 30.0    | 31.0   | 40.0   | 41.0   | 42.8   |
| ELJRF6N8□FB | 6.91                  | 6.93   | 7.21   | 7.29   | 7.51   | 28.9    | 30.7   | 41.3   | 42.7   | 45.0   |
| ELJRF8N2□FB | 8.31                  | 8.33   | 8.73   | 8.86   | 9.19   | 31.0    | 32.9   | 43.9   | 45.3   | 47.4   |
| ELJRF10N□FB | 10.21                 | 10.25  | 10.77  | 10.94  | 11.37  | 29.8    | 31.6   | 42.1   | 43.5   | 45.6   |
| ELJRF12N□FB | 12.3                  | 12.3   | 13.1   | 13.3   | 14.0   | 30.8    | 32.6   | 42.9   | 44.1   | 45.4   |
| ELJRF15N□FB | 15.3                  | 15.4   | 16.5   | 16.9   | 17.9   | 28.8    | 30.4   | 39.5   | 40.4   | 41.2   |
| ELJRF18N□FB | 18.4                  | 18.6   | 20.2   | 20.8   | 22.3   | 31.1    | 32.8   | 41.6   | 42.1   | 41.7   |
| ELJRF22N□FB | 23.7                  | 23.9   | 27.5   | 28.8   | 32.5   | 31.3    | 32.9   | 39.6   | 39.4   | 37.2   |
| ELJRF27N□FB | 28.3                  | 28.5   | 32.8   | 34.4   | 38.8   | 28.4    | 29.9   | 36.0   | 35.8   | 33.7   |
| ELJRF33N□FB | 34.6                  | 35.1   | 43.4   | 46.8   | 57.5   | 28.4    | 29.7   | 33.7   | 32.9   | 29.2   |
| ELJRF39N□FB | 40.8                  | 41.4   | 49.9   | 53.2   | 63.3   | 25.6    | 26.9   | 31.1   | 30.5   | 27.5   |
| ELJRF47N□FB | 49.6                  | 50.3   | 62.1   | 66.8   | 81.8   | 22.7    | 23.8   | 26.9   | 26.2   | 23.2   |
| ELJRF56N□FB | 58.4                  | 59.1   | 69.9   | 74.1   | 86.2   | 23.8    | 25.0   | 28.9   | 28.3   | 25.6   |
| ELJRF68N□FB | 71.9                  | 72.9   | 90.4   | 97.5   | 119.9  | 22.3    | 23.3   | 25.4   | 24.3   | 20.4   |
| ELJRF82N□FB | 86.6                  | 87.8   | 107.8  | 115.7  | 140.6  | 21.9    | 22.9   | 25.5   | 24.6   | 21.3   |
| ELJRFR10□FB | 105.5                 | 106.8  | 128.2  | 136.5  | 161.3  | 21.0    | 21.9   | 25.0   | 24.4   | 21.9   |

□ : Symbol of Tolerance

Design and specifications are each subject to change without notice. Ask factory for the current technical specifications before purchase and/or use. Should a safety concern arise regarding this product, please be sure to contact us immediately.

00 Sep. 2010

■ RE Type 1608 (0603)

● Dimensions in mm (not to scale)



● Recommended Land Pattern in mm (not to scale)



■ Standard Packing Quantity

● 3000 pcs./Reel

■ Standard Parts (E12 series)

| Part No.    | Inductance |               |                     | Q    |                     | SRF *1<br>(MHz) min. | R <sub>DC</sub> *2<br>(Ω) max. | DC Current<br>(mA) max. |
|-------------|------------|---------------|---------------------|------|---------------------|----------------------|--------------------------------|-------------------------|
|             | (nH)       | Tolerance (%) | Test Freq.<br>(MHz) | min. | Test Freq.<br>(MHz) |                      |                                |                         |
| ELJRE1N0□FA | 1.0        | D : ±0.3 nH   | Z : ±0.2 nH         | 100  | 100                 | 6000                 | 0.05                           | 500                     |
| ELJRE1N2□FA | 1.2        |               |                     |      |                     | 6000                 | 0.06                           | 500                     |
| ELJRE1N5□FA | 1.5        |               |                     |      |                     | 6000                 | 0.07                           | 500                     |
| ELJRE1N8□FA | 1.8        |               |                     |      |                     | 6000                 | 0.08                           | 500                     |
| ELJRE2N2□FA | 2.2        |               |                     |      |                     | 6000                 | 0.09                           | 500                     |
| ELJRE2N7□FA | 2.7        |               |                     |      |                     | 6000                 | 0.10                           | 500                     |
| ELJRE3N3□FA | 3.3        | J : ±5 %      | G : ±2 %            | 100  | 100                 | 5500                 | 0.12                           | 500                     |
| ELJRE3N9□FA | 3.9        |               |                     |      |                     | 5500                 | 0.15                           | 450                     |
| ELJRE4N7□FA | 4.7        |               |                     |      |                     | 4800                 | 0.17                           | 450                     |
| ELJRE5N6□FA | 5.6        |               |                     |      |                     | 4600                 | 0.18                           | 430                     |
| ELJRE6N8□FA | 6.8        |               |                     |      |                     | 3550                 | 0.20                           | 430                     |
| ELJRE8N2□FA | 8.2        |               |                     |      |                     | 3500                 | 0.28                           | 400                     |
| ELJRE10N□FA | 10         |               |                     |      |                     | 2800                 | 0.32                           | 400                     |
| ELJRE12N□FA | 12         |               |                     |      |                     | 2800                 | 0.35                           | 400                     |
| ELJRE15N□FA | 15         |               |                     |      |                     | 2500                 | 0.41                           | 350                     |
| ELJRE18N□FA | 18         |               |                     |      |                     | 2300                 | 0.45                           | 350                     |
| ELJRE22N□FA | 22         |               |                     |      |                     | 2000                 | 0.50                           | 300                     |
| ELJRE27N□FA | 27         |               |                     |      |                     | 2000                 | 0.55                           | 300                     |
| ELJRE33N□FA | 33         | 1800          | 0.60                | 300  |                     |                      |                                |                         |
| ELJRE39N□FA | 39         | 1800          | 0.80                | 300  |                     |                      |                                |                         |
| ELJRE47N□FA | 47         | 1800          | 0.95                | 250  |                     |                      |                                |                         |
| ELJRE56N□FA | 56         | 1800          | 1.20                | 250  |                     |                      |                                |                         |
| ELJRE68N□FA | 68         | 1500          | 1.30                | 250  |                     |                      |                                |                         |
| ELJRE82N□FA | 82         | 1500          | 1.50                | 250  |                     |                      |                                |                         |
| ELJRER10□FA | 100        | 1300          | 1.80                | 200  |                     |                      |                                |                         |
| ELJRER12□FA | 120        | 25.2          | 25.2                | 1200 | 3.00                | 130                  |                                |                         |
| ELJRER15□FA | 150        |               |                     | 1100 | 4.50                | 100                  |                                |                         |
| ELJRER18□FA | 180        |               |                     | 1000 | 6.50                | 80                   |                                |                         |
| ELJRER22□FA | 220        |               |                     | 900  | 7.50                | 70                   |                                |                         |

□ : Symbol of Tolerance \*1 : Self Resonant Frequency \*2 : DC Resistance

### ■ ELJRE Type

### ■ Typical Characteristics



### ■ Reference Date

| Part No     | Inductance (nH)(Typ.) |        |        |        |        | Q(Typ.) |        |        |        |        |
|-------------|-----------------------|--------|--------|--------|--------|---------|--------|--------|--------|--------|
|             | 800MHz                | 900MHz | 1.8GHz | 2.0GHz | 2.4GHz | 800MHz  | 900MHz | 1.8GHz | 2.0GHz | 2.4GHz |
| ELJRE1N0□FA | 1.01                  | 1.01   | 0.99   | 0.98   | 0.98   | 71.2    | 76.8   | 116.8  | 129.6  | 155.8  |
| ELJRE1N2□FA | 1.19                  | 1.19   | 1.18   | 1.17   | 1.17   | 65.1    | 69.8   | 102.7  | 113.9  | 136.9  |
| ELJRE1N5□FA | 1.41                  | 1.41   | 1.39   | 1.39   | 1.38   | 52.7    | 56.2   | 79.6   | 88.0   | 103.3  |
| ELJRE1N8□FA | 1.86                  | 1.86   | 1.84   | 1.84   | 1.84   | 55.9    | 59.6   | 86.7   | 97.5   | 117.0  |
| ELJRE2N2□FA | 2.10                  | 2.09   | 2.07   | 2.07   | 2.07   | 48.6    | 51.3   | 74.8   | 83.6   | 98.6   |
| ELJRE2N7□FA | 2.59                  | 2.59   | 2.58   | 2.59   | 2.60   | 48.6    | 51.3   | 71.1   | 78.1   | 89.9   |
| ELJRE3N3□FA | 3.09                  | 3.08   | 3.08   | 3.09   | 3.11   | 49.6    | 52.7   | 78.5   | 88.6   | 105.8  |
| ELJRE3N9□FA | 3.61                  | 3.61   | 3.63   | 3.65   | 3.69   | 50.2    | 53.0   | 70.5   | 77.1   | 87.0   |
| ELJRE4N7□FA | 4.42                  | 4.42   | 4.48   | 4.52   | 4.60   | 46.3    | 49.4   | 69.4   | 76.6   | 86.1   |
| ELJRE5N6□FA | 5.39                  | 5.39   | 5.49   | 5.55   | 5.66   | 49.5    | 52.8   | 75.4   | 84.0   | 94.3   |
| ELJRE6N8□FA | 6.59                  | 6.60   | 6.79   | 6.89   | 7.08   | 49.3    | 52.8   | 78.1   | 86.7   | 97.0   |
| ELJRE8N2□FA | 7.97                  | 7.99   | 8.33   | 8.51   | 8.83   | 49.0    | 52.4   | 75.4   | 82.6   | 89.1   |
| ELJRE10N□FA | 9.60                  | 9.63   | 10.22  | 10.51  | 11.07  | 44.2    | 47.0   | 63.4   | 68.0   | 69.7   |
| ELJRE12N□FA | 11.7                  | 11.8   | 12.7   | 13.2   | 14.1   | 44.6    | 47.7   | 64.7   | 68.5   | 67.8   |
| ELJRE15N□FA | 14.6                  | 14.6   | 16.2   | 17.1   | 18.7   | 42.4    | 45.4   | 58.4   | 59.5   | 56.9   |
| ELJRE18N□FA | 17.6                  | 17.8   | 20.2   | 21.5   | 24.2   | 45.9    | 49.4   | 64.6   | 65.0   | 58.8   |
| ELJRE22N□FA | 21.7                  | 21.9   | 26.0   | 28.3   | 33.3   | 43.0    | 45.8   | 54.2   | 52.2   | 43.8   |
| ELJRE27N□FA | 27.2                  | 27.6   | 34.6   | 38.9   | 49.3   | 43.9    | 47.0   | 52.4   | 49.2   | 38.1   |
| ELJRE33N□FA | 33.3                  | 33.9   | 45.5   | 53.2   | 75.2   | 41.8    | 44.4   | 45.2   | 39.3   | 26.2   |
| ELJRE39N□FA | 39.8                  | 40.7   | 58.6   | 71.9   | 117.0  | 42.2    | 44.9   | 40.4   | 33.1   | 18.8   |
| ELJRE47N□FA | 48.3                  | 49.6   | 79.8   | 107.1  | 260.7  | 42.6    | 45.3   | 34.1   | 24.0   | 8.8    |
| ELJRE56N□FA | 59.2                  | 61.1   | 112.8  | 176.3  | 735.5  | 42.0    | 44.5   | 25.1   | 15.2   | 0.8    |
| ELJRE68N□FA | 73.9                  | 77.0   | 185.9  | 459.7  |        | 41.8    | 44.0   | 21.5   | 9.5    |        |
| ELJRE82N□FA | 94.0                  | 99.6   | 494.3  |        |        | 39.7    | 41.5   | 7.7    |        |        |
| ELJRER10□FA | 115.2                 | 123.5  | 2141.2 |        |        | 35.3    | 36.7   | 1.6    |        |        |
| ELJRER12□FA | 143.4                 | 156.9  |        |        |        | 35.2    | 35.7   |        |        |        |
| ELJRER15□FA | 188.5                 | 210.6  |        |        |        | 40.6    | 41.5   |        |        |        |
| ELJRER18□FA | 242.9                 | 280.4  |        |        |        | 39.0    | 39.8   |        |        |        |
| ELJRER22□FA | 337.9                 | 416.6  |        |        |        | 43.2    | 45.3   |        |        |        |

□ : Symbol of Tolerance

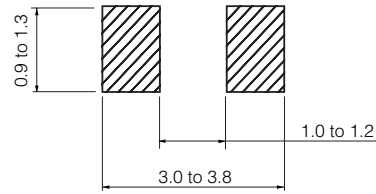
Design and specifications are each subject to change without notice. Ask factory for the current technical specifications before purchase and/or use. Should a safety concern arise regarding this product, please be sure to contact us immediately.

00 Sep. 2010

■ ND Type 2012 (0805)

● Dimensions in mm (not to scale)

● Recommended Land Pattern in mm (not to scale)



■ Standard Packing Quantity

● 3000 pcs./Reel

■ Standard Parts

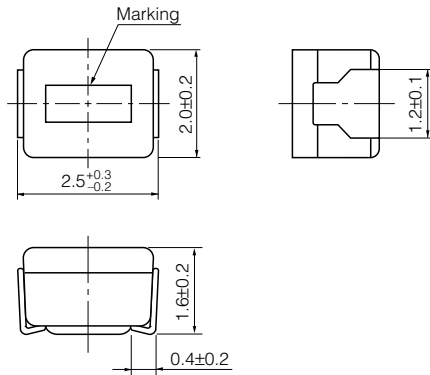
| Part No.   | Inductance |                             |                     | Q    |                     | SRF *1<br>(MHz) min. | R <sub>DC</sub> *2<br>(Ω) max. | DC Current<br>(mA) max. |
|------------|------------|-----------------------------|---------------------|------|---------------------|----------------------|--------------------------------|-------------------------|
|            | (nH)       | Tolerance<br>(%)            | Test Freq.<br>(MHz) | min. | Test Freq.<br>(MHz) |                      |                                |                         |
| ELJND10N□F | 10         | K : ±10 %                   | 100                 | 10   | 100                 | 3300                 | 0.18                           | 540                     |
| ELJND12N□F | 12         |                             |                     |      |                     | 3300                 | 0.24                           | 535                     |
| ELJND15N□F | 15         |                             |                     |      |                     | 3000                 | 0.24                           | 520                     |
| ELJND18N□F | 18         |                             |                     |      |                     | 3000                 | 0.29                           | 480                     |
| ELJND22N□F | 22         |                             |                     |      |                     | 2600                 | 0.29                           | 465                     |
| ELJND27N□F | 27         |                             |                     | 2500 |                     | 0.34                 | 455                            |                         |
| ELJND33N□F | 33         |                             |                     | 2050 |                     | 0.39                 | 395                            |                         |
| ELJND39N□F | 39         |                             |                     | 2000 |                     | 0.41                 | 390                            |                         |
| ELJND47N□F | 47         |                             |                     | 1650 |                     | 0.46                 | 385                            |                         |
| ELJND56N□F | 56         |                             |                     | 1550 |                     | 0.51                 | 360                            |                         |
| ELJND68N□F | 68         | 1450                        | 0.57                | 340  |                     |                      |                                |                         |
| ELJND82N□F | 82         | 1100                        | 0.63                | 330  |                     |                      |                                |                         |
| ELJNDR10□F | 100        | K : ±10 %<br>or<br>J : ±5 % | 25.2                | 8    | 25.2                | 800                  | 0.86                           | 285                     |
| ELJNDR12□F | 120        |                             |                     |      |                     | 600                  | 0.99                           | 275                     |
| ELJNDR15□F | 150        |                             |                     |      |                     | 600                  | 1.47                           | 230                     |
| ELJNDR18□F | 180        |                             |                     |      |                     | 600                  | 1.61                           | 195                     |
| ELJNDR22□F | 220        |                             |                     |      |                     | 500                  | 1.84                           | 170                     |
| ELJNDR27□F | 270        |                             |                     | 300  |                     | 1.95                 | 165                            |                         |
| ELJNDR33□F | 330        |                             |                     | 200  |                     | 2.16                 | 160                            |                         |
| ELJNDR39□F | 390        |                             |                     | 150  |                     | 2.37                 | 150                            |                         |
| ELJNDR47□F | 470        |                             |                     | 150  |                     | 2.56                 | 145                            |                         |
| ELJNDR56□F | 560        |                             |                     | 100  |                     | 2.69                 | 140                            |                         |
| ELJNDR68□F | 680        | 100                         | 3.02                | 130  |                     |                      |                                |                         |
| ELJNDR82□F | 820        | 80                          | 3.38                | 125  |                     |                      |                                |                         |
| ELJND1R0□F | 1000       | 7.96                        | 8                   | 7.96 | 80                  | 3.88                 | 120                            |                         |

□ : Symbol of Tolerance    \*1 : Self Resonant Frequency    \*2 : DC Resistance

■ NC Type 2520 (1008)

● Dimensions in mm (not to scale)

● Recommended Land Pattern in mm (not to scale)



■ Standard Packing Quantity

● 2000 pcs./Reel

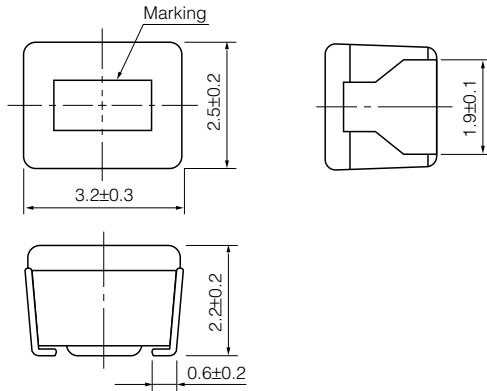
■ Standard Parts

| Part No.   | Inductance |                             |                     | Q    |                     | SRF *1<br>(MHz) min.        | R <sub>DC</sub> *2<br>(Ω) max. | DC Current<br>(mA) max. |      |     |      |     |
|------------|------------|-----------------------------|---------------------|------|---------------------|-----------------------------|--------------------------------|-------------------------|------|-----|------|-----|
|            | (nH)       | Tolerance<br>(%)            | Test Freq.<br>(MHz) | min. | Test Freq.<br>(MHz) |                             |                                |                         |      |     |      |     |
| ELJNC10N□F | 10         | K : ±10 %                   | 100                 | 10   | 100                 | 2500                        | 0.32                           | 280                     |      |     |      |     |
| ELJNC12N□F | 12         |                             |                     |      |                     | 2200                        | 0.34                           | 270                     |      |     |      |     |
| ELJNC15N□F | 15         |                             |                     |      |                     | 1800                        | 0.38                           | 255                     |      |     |      |     |
| ELJNC18N□F | 18         |                             |                     |      |                     | 1550                        | 0.40                           | 250                     |      |     |      |     |
| ELJNC22N□F | 22         |                             |                     |      |                     | 1350                        | 0.43                           | 240                     |      |     |      |     |
| ELJNC27N□F | 27         |                             |                     |      |                     | 1150                        | 0.47                           | 230                     |      |     |      |     |
| ELJNC33N□F | 33         | K : ±10 %<br>or<br>J : ±5 % | 100                 | 15   | 100                 | 1000                        | 0.51                           | 220                     |      |     |      |     |
| ELJNC39N□F | 39         |                             |                     |      |                     | 890                         | 0.55                           | 215                     |      |     |      |     |
| ELJNC47N□F | 47         |                             |                     |      |                     | 770                         | 0.59                           | 205                     |      |     |      |     |
| ELJNC56N□F | 56         |                             |                     |      |                     | 670                         | 0.63                           | 200                     |      |     |      |     |
| ELJNC68N□F | 68         |                             |                     |      |                     | 590                         | 0.68                           | 190                     |      |     |      |     |
| ELJNC82N□F | 82         |                             |                     |      |                     | 520                         | 0.73                           | 185                     |      |     |      |     |
| ELJNCR10□F | 100        |                             |                     |      |                     | K : ±10 %<br>or<br>J : ±5 % | 25.2                           | 10                      | 25.2 | 460 | 0.80 | 175 |
| ELJNCR12□F | 120        |                             |                     |      |                     |                             |                                |                         |      | 400 | 0.87 | 170 |
| ELJNCR15□F | 150        |                             |                     |      |                     |                             |                                |                         |      | 340 | 0.98 | 160 |
| ELJNCR18□F | 180        |                             |                     |      |                     |                             |                                |                         |      | 300 | 1.05 | 155 |
| ELJNCR22□F | 220        |                             |                     |      |                     |                             |                                |                         |      | 260 | 1.15 | 145 |
| ELJNCR27□F | 270        |                             |                     |      |                     |                             |                                |                         |      | 230 | 1.25 | 140 |
| ELJNCR33□F | 330        | 200                         | 1.37                | 135  |                     |                             |                                |                         |      |     |      |     |
| ELJNCR39□F | 390        | 180                         | 1.47                | 130  |                     |                             |                                |                         |      |     |      |     |
| ELJNCR47□F | 470        | 160                         | 1.58                | 125  |                     |                             |                                |                         |      |     |      |     |
| ELJNCR56□F | 560        | 145                         | 1.70                | 120  |                     |                             |                                |                         |      |     |      |     |
| ELJNCR68□F | 680        | 130                         | 1.85                | 110  |                     |                             |                                |                         |      |     |      |     |
| ELJNCR82□F | 820        | 100                         | 2.10                | 100  |                     |                             |                                |                         |      |     |      |     |

□ : Symbol of Tolerance \*1 : Self Resonant Frequency \*2 : DC Resistance

### ■ NA Type 3225 (1210)

● Dimensions in mm (not to scale)



● Recommended Land Pattern in mm (not to scale)



### ■ Standard Packing Quantity

● 2000 pcs./Reel

### ■ Standard Parts

| Part No.   | Inductance |                             |                     | Q    |                     | SRF *1<br>(MHz) min. | R <sub>bc</sub> *2<br>(Ω) max. | DC Current<br>(mA) max. |
|------------|------------|-----------------------------|---------------------|------|---------------------|----------------------|--------------------------------|-------------------------|
|            | (nH)       | Tolerance<br>(%)            | Test Freq.<br>(MHz) | min. | Test Freq.<br>(MHz) |                      |                                |                         |
| ELJNA47N□F | 47         | M : ±20 %                   | 100                 | 10   | 100                 | 680                  | 0.20                           | 450                     |
| ELJNA56N□F | 56         |                             |                     |      |                     | 600                  | 0.22                           | 420                     |
| ELJNA68N□F | 68         |                             |                     |      |                     | 540                  | 0.25                           | 400                     |
| ELJNA82N□F | 82         |                             |                     |      |                     | 500                  | 0.27                           | 380                     |
| ELJNAR10□F | 100        |                             |                     |      |                     | 450                  | 0.30                           | 360                     |
| ELJNAR12□F | 120        |                             |                     |      |                     | 25.2                 | 10                             | 25.2                    |
| ELJNAR15□F | 150        | 350                         | 0.72                | 230  |                     |                      |                                |                         |
| ELJNAR18□F | 180        | 320                         | 0.81                | 220  |                     |                      |                                |                         |
| ELJNAR22□F | 220        | 280                         | 0.90                | 210  |                     |                      |                                |                         |
| ELJNAR27□F | 270        | 250                         | 1.0                 | 200  |                     |                      |                                |                         |
| ELJNAR33□F | 330        | K : ±10 %<br>or<br>J : ±5 % | 1                   | 13   | 7.96                |                      |                                |                         |
| ELJNAR39□F | 390        |                             |                     |      |                     | 200                  | 1.2                            | 180                     |
| ELJNAR47□F | 470        |                             |                     |      |                     | 180                  | 1.4                            | 175                     |
| ELJNAR56□F | 560        |                             |                     |      |                     | 160                  | 1.5                            | 170                     |
| ELJNAR68□F | 680        |                             |                     |      |                     | 150                  | 1.7                            | 155                     |
| ELJNAR82□F | 820        |                             |                     |      |                     | 135                  | 1.9                            | 145                     |
| ELJNA1R0□F | 1000       | J : ±5 %                    | 1                   | 13   | 7.96                | 120                  | 2.1                            | 125                     |
| ELJNA1R2□F | 1200       |                             |                     |      |                     | 110                  | 2.3                            | 120                     |
| ELJNA1R5□F | 1500       |                             |                     |      |                     | 95                   | 2.7                            | 115                     |
| ELJNA1R8□F | 1800       |                             |                     |      |                     | 85                   | 3.0                            | 110                     |
| ELJNA2R2□F | 2200       |                             |                     |      |                     | 80                   | 3.2                            | 110                     |
| ELJNA2R7□F | 2700       |                             |                     |      |                     | 70                   | 3.6                            | 105                     |
| ELJNA3R3□F | 3300       |                             |                     |      |                     | 62                   | 4.2                            | 100                     |
| ELJNA3R9□F | 3900       |                             |                     |      |                     | 57                   | 4.4                            | 95                      |
| ELJNA4R7□F | 4700       |                             |                     |      |                     | 52                   | 7.7                            | 70                      |
| ELJNA5R6□F | 5600       |                             |                     |      |                     | 46                   | 8.7                            | 65                      |
| ELJNA6R8□F | 6800       |                             |                     |      |                     | 42                   | 10                             | 60                      |
| ELJNA8R2□F | 8200       |                             |                     |      |                     | 38                   | 11                             | 60                      |

□ : Symbol of Tolerance \*1 : Self Resonant Frequency \*2 : DC Resistance

Design and specifications are each subject to change without notice. Ask factory for the current technical specifications before purchase and/or use.  
Should a safety concern arise regarding this product, please be sure to contact us immediately.

00 Sep. 2010