

1. High Frequency Use (Non Magnetic Core) RF, RE, ND, NC, NA



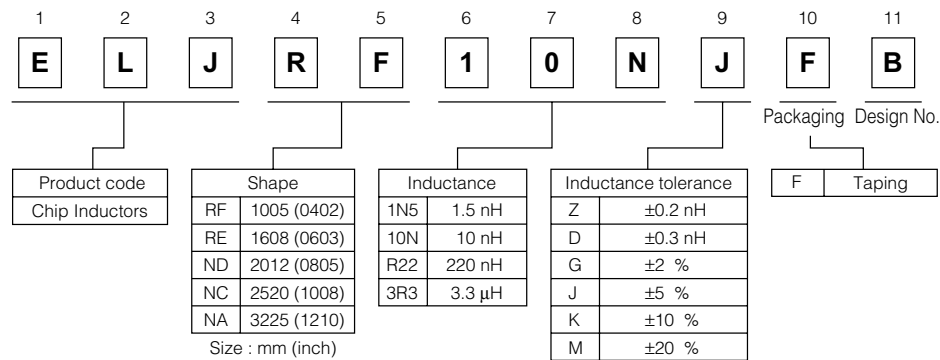
■ Features

- High frequency capability due to its non magnetic core.
- Capable of being Re-flow or flow soldered.
- Wide line-up from 1005 to 3225 case sizes.
- Good for mounting.

■ Recommended Applications

- RF circuitry for cellular phones and wireless communication equipment.

■ Explanation of Part Numbers



■ Storage Conditions

- Package : Normal temperature (−5 to 35 °C), normal humidity (85 %RH max.), shall not be exposed to direct sunlight and harmful gases and care should be taken so as not to cause dew.
- Operating Temperature : −20 to +85 °C

■ Storage Period

- Solderability may be reduced due to the conditions of high temperature and high humidity which causes the oxidation of tin-plated terminals. Even if storage conditions are within specified limits, solderability may be reduced with the passage of time. Therefore, please control the storage conditions and try to use the product within 6 months of receipt.

■ Packaging Methods Please see Page 127

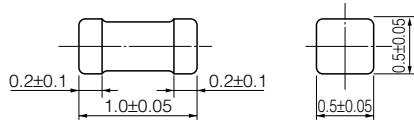
■ Soldering Conditions Please see Page 128

■ Safety Precautions Please see Page 129

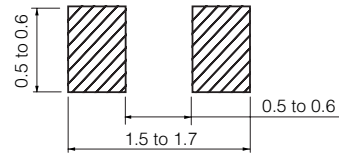
Design and specifications are each subject to change without notice. Ask factory for the current technical specifications before purchase and/or use. Should a safety concern arise regarding this product, please be sure to contact us immediately.

■ RF Type 1005 (0402)

● Dimensions in mm (not to scale)



● Recommended Land Pattern in mm (not to scale)



■ Standard Packing Quantity

- 10000 pcs./Reel

■ Standard Parts (E12 series)

| Part No. | Inductance | | | Q | | SRF *1 (MHz) min. | R _{DC} *2 (Ω) max. | DC Current (mA) max. |
|-------------|------------|----------------------------|---------------------|------|---------------------|----------------------|--------------------------------|-------------------------|
| | (nH) | Tolerance (%) | Test Freq. (MHz) | min. | Test Freq. (MHz) | | | |
| ELJRF1N0□FB | 1.0 | D : ±0.3 nH Z : ±0.2 nH | 100 | 8 | 100 | 6000 | 0.05 | 400 |
| ELJRF1N2□FB | 1.2 | | | | | 6000 | 0.06 | 400 |
| ELJRF1N5□FB | 1.5 | | | | | 6000 | 0.07 | 400 |
| ELJRF1N8□FB | 1.8 | | | | | 6000 | 0.08 | 400 |
| ELJRF2N2□FB | 2.2 | | | | | 6000 | 0.09 | 400 |
| ELJRF2N7□FB | 2.7 | | | | | 5500 | 0.10 | 400 |
| ELJRF3N3□FB | 3.3 | | | | | 5500 | 0.12 | 400 |
| ELJRF3N9□FB | 3.9 | | | | | 5200 | 0.15 | 360 |
| ELJRF4N7□FB | 4.7 | | | | | 4800 | 0.17 | 360 |
| ELJRF5N6□FB | 5.6 | | | | | 4600 | 0.19 | 340 |
| ELJRF6N8□FB | 6.8 | J : ±5 % G : ±2 % | 100 | 8 | 100 | 4000 | 0.30 | 320 |
| ELJRF8N2□FB | 8.2 | | | | | 3500 | 0.35 | 320 |
| ELJRF10N□FB | 10 | | | | | 2800 | 0.41 | 320 |
| ELJRF12N□FB | 12 | | | | | 2800 | 0.45 | 320 |
| ELJRF15N□FB | 15 | | | | | 2500 | 0.60 | 240 |
| ELJRF18N□FB | 18 | | | | | 2200 | 0.70 | 240 |
| ELJRF22N□FB | 22 | | | | | 2000 | 0.80 | 200 |
| ELJRF27N□FB | 27 | | | | | 1800 | 1.20 | 200 |
| ELJRF33N□FB | 33 | | | | | 1800 | 1.40 | 170 |
| ELJRF39N□FB | 39 | | | | | 1800 | 1.70 | 150 |
| ELJRF47N□FB | 47 | 1800 | 2.10 | 140 | | | | |
| ELJRF56N□FB | 56 | 1500 | 2.50 | 130 | | | | |
| ELJRF68N□FB | 68 | 1500 | 4.00 | 120 | | | | |
| ELJRF82N□FB | 82 | 1400 | 4.50 | 110 | | | | |
| ELJRF10□FB | 100 | 1200 | 5.50 | 90 | | | | |

□ : Symbol of Tolerance *1 : Self Resonant Frequency *2 : DC Resistance

■ Standard Parts (E24 series)

| Part No. | Inductance | | | Q | | SRF *1 (MHz) min. | R _{DC} *2 (Ω) max. | DC Current (mA) max. |
|-------------|------------|----------------------------|---------------------|------|---------------------|----------------------|--------------------------------|-------------------------|
| | (nH) | Tolerance (%) | Test Freq. (MHz) | min. | Test Freq. (MHz) | | | |
| ELJRF2N0□FB | 2.0 | D : ±0.3 nH Z : ±0.2 nH | 100 | 8 | 100 | 6000 | 0.08 | 400 |
| ELJRF2N4□FB | 2.4 | | | | | 6000 | 0.09 | 400 |
| ELJRF3N0□FB | 3.0 | | | | | 5500 | 0.11 | 400 |
| ELJRF3N6□FB | 3.6 | | | | | 5300 | 0.14 | 380 |
| ELJRF4N3□FB | 4.3 | | | | | 5000 | 0.16 | 360 |
| ELJRF5N1□FB | 5.1 | | | | | 4700 | 0.18 | 350 |
| ELJRF6N2□FB | 6.2 | | | | | 4300 | 0.25 | 330 |
| ELJRF7N5□FB | 7.5 | | | | | 3700 | 0.33 | 320 |
| ELJRF9N1□FB | 9.1 | | | | | 3100 | 0.38 | 320 |
| ELJRF11N□FB | 11 | | | | | 2800 | 0.43 | 320 |
| ELJRF13N□FB | 13 | J : ±5 % G : ±2 % | 100 | 8 | 100 | 2600 | 0.53 | 280 |
| ELJRF16N□FB | 16 | | | | | 2300 | 0.65 | 240 |
| ELJRF20N□FB | 20 | | | | | 2100 | 0.75 | 220 |
| ELJRF24N□FB | 24 | | | | | 1900 | 1.00 | 200 |
| ELJRF30N□FB | 30 | | | | | 1800 | 1.30 | 190 |
| ELJRF36N□FB | 36 | | | | | 1800 | 1.60 | 160 |
| ELJRF43N□FB | 43 | | | | | 1800 | 1.90 | 150 |

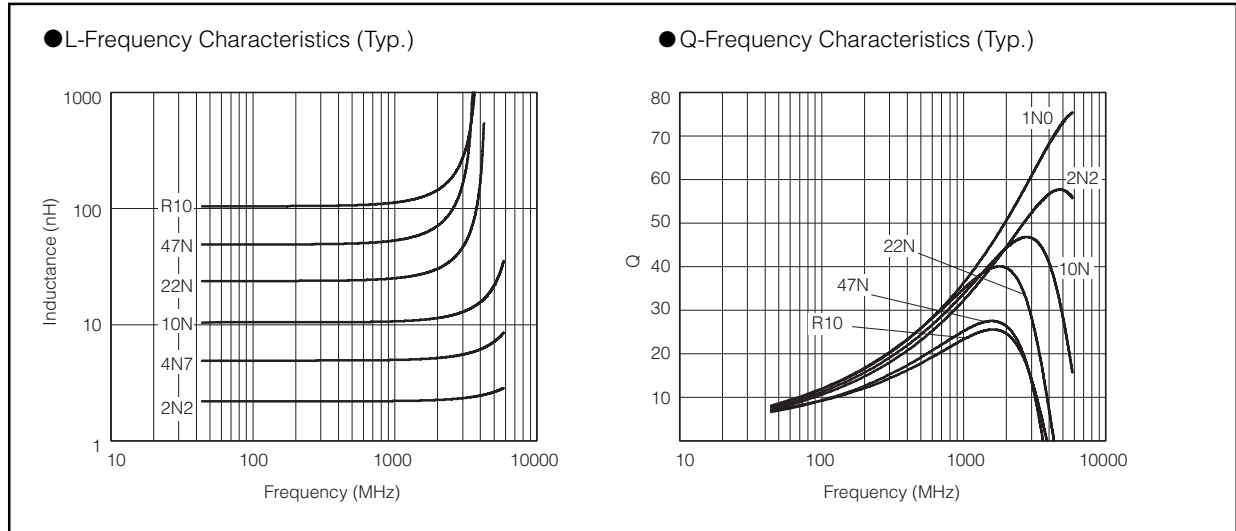
□ : Symbol of Tolerance *1 : Self Resonant Frequency *2 : DC Resistance

Design and specifications are each subject to change without notice. Ask factory for the current technical specifications before purchase and/or use.
Should a safety concern arise regarding this product, please be sure to contact us immediately.

00 Sep. 2010

■ ELJRF Type

■ Typical Characteristics



■ Reference Date

| Part No | Inductance (nH)(Typ.) | | | | | Q(Typ.) | | | | |
|-------------|-----------------------|--------|--------|--------|--------|---------|--------|--------|--------|--------|
| | 800MHz | 900MHz | 1.8GHz | 2.0GHz | 2.4GHz | 800MHz | 900MHz | 1.8GHz | 2.0GHz | 2.4GHz |
| ELJRF1N0□FB | 0.95 | 0.95 | 0.96 | 0.96 | 0.97 | 31.8 | 33.8 | 47.2 | 49.6 | 54.0 |
| ELJRF1N2□FB | 1.23 | 1.24 | 1.24 | 1.25 | 1.25 | 31.0 | 33.0 | 43.4 | 45.6 | 49.7 |
| ELJRF1N5□FB | 1.51 | 1.51 | 1.53 | 1.53 | 1.54 | 32.9 | 34.9 | 48.6 | 50.9 | 55.4 |
| ELJRF1N8□FB | 1.85 | 1.85 | 1.87 | 1.88 | 1.90 | 31.1 | 33.1 | 45.9 | 48.1 | 52.1 |
| ELJRF2N2□FB | 2.11 | 2.12 | 2.15 | 2.16 | 2.19 | 28.3 | 30.1 | 41.6 | 43.6 | 47.2 |
| ELJRF2N7□FB | 2.63 | 2.63 | 2.68 | 2.70 | 2.73 | 28.0 | 28.7 | 39.6 | 41.4 | 44.7 |
| ELJRF3N3□FB | 3.27 | 3.28 | 3.35 | 3.37 | 3.42 | 29.9 | 31.7 | 43.7 | 45.7 | 49.2 |
| ELJRF3N9□FB | 3.73 | 3.74 | 3.82 | 3.85 | 3.91 | 29.7 | 31.5 | 43.4 | 45.4 | 48.8 |
| ELJRF4N7□FB | 4.77 | 4.78 | 4.92 | 4.96 | 5.07 | 33.9 | 35.9 | 49.0 | 51.1 | 54.6 |
| ELJRF5N6□FB | 5.70 | 5.70 | 5.80 | 5.90 | 6.20 | 30.0 | 31.0 | 40.0 | 41.0 | 42.8 |
| ELJRF6N8□FB | 6.91 | 6.93 | 7.21 | 7.29 | 7.51 | 28.9 | 30.7 | 41.3 | 42.7 | 45.0 |
| ELJRF8N2□FB | 8.31 | 8.33 | 8.73 | 8.86 | 9.19 | 31.0 | 32.9 | 43.9 | 45.3 | 47.4 |
| ELJRF10N□FB | 10.21 | 10.25 | 10.77 | 10.94 | 11.37 | 29.8 | 31.6 | 42.1 | 43.5 | 45.6 |
| ELJRF12N□FB | 12.3 | 12.3 | 13.1 | 13.3 | 14.0 | 30.8 | 32.6 | 42.9 | 44.1 | 45.4 |
| ELJRF15N□FB | 15.3 | 15.4 | 16.5 | 16.9 | 17.9 | 28.8 | 30.4 | 39.5 | 40.4 | 41.2 |
| ELJRF18N□FB | 18.4 | 18.6 | 20.2 | 20.8 | 22.3 | 31.1 | 32.8 | 41.6 | 42.1 | 41.7 |
| ELJRF22N□FB | 23.7 | 23.9 | 27.5 | 28.8 | 32.5 | 31.3 | 32.9 | 39.6 | 39.4 | 37.2 |
| ELJRF27N□FB | 28.3 | 28.5 | 32.8 | 34.4 | 38.8 | 28.4 | 29.9 | 36.0 | 35.8 | 33.7 |
| ELJRF33N□FB | 34.6 | 35.1 | 43.4 | 46.8 | 57.5 | 28.4 | 29.7 | 33.7 | 32.9 | 29.2 |
| ELJRF39N□FB | 40.8 | 41.4 | 49.9 | 53.2 | 63.3 | 25.6 | 26.9 | 31.1 | 30.5 | 27.5 |
| ELJRF47N□FB | 49.6 | 50.3 | 62.1 | 66.8 | 81.8 | 22.7 | 23.8 | 26.9 | 26.2 | 23.2 |
| ELJRF56N□FB | 58.4 | 59.1 | 69.9 | 74.1 | 86.2 | 23.8 | 25.0 | 28.9 | 28.3 | 25.6 |
| ELJRF68N□FB | 71.9 | 72.9 | 90.4 | 97.5 | 119.9 | 22.3 | 23.3 | 25.4 | 24.3 | 20.4 |
| ELJRF82N□FB | 86.6 | 87.8 | 107.8 | 115.7 | 140.6 | 21.9 | 22.9 | 25.5 | 24.6 | 21.3 |
| ELJRF10N□FB | 105.5 | 106.8 | 128.2 | 136.5 | 161.3 | 21.0 | 21.9 | 25.0 | 24.4 | 21.9 |

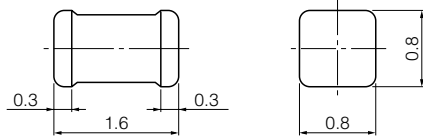
□ : Symbol of Tolerance

Design and specifications are each subject to change without notice. Ask factory for the current technical specifications before purchase and/or use. Should a safety concern arise regarding this product, please be sure to contact us immediately.

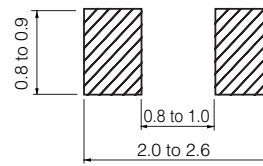
00 Sep. 2010

■ RE Type 1608 (0603)

● Dimensions in mm (not to scale)



● Recommended Land Pattern in mm (not to scale)



■ Standard Packing Quantity

● 3000 pcs./Reel

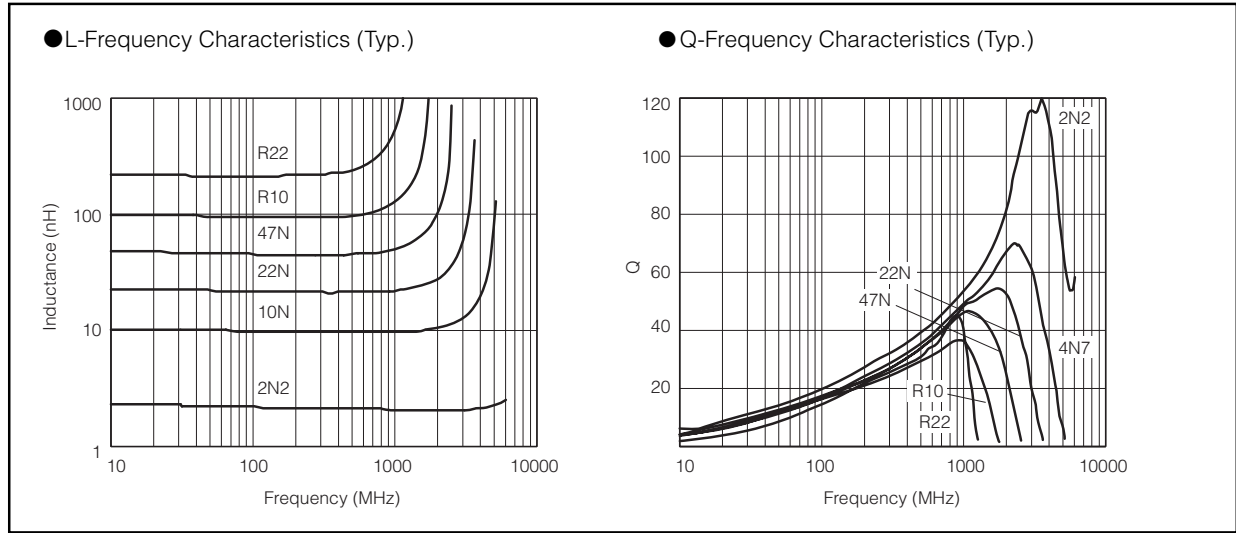
■ Standard Parts (E12 series)

| Part No. | Inductance | | | Q | | SRF *1 (MHz) min. | R _{DC} *2 (Ω) max. | DC Current (mA) max. |
|-------------|------------|---------------|---------------------|------|---------------------|----------------------|--------------------------------|-------------------------|
| | (nH) | Tolerance (%) | Test Freq. (MHz) | min. | Test Freq. (MHz) | | | |
| ELJRE1N0□FA | 1.0 | D : ±0.3 nH | Z : ±0.2 nH | 100 | 100 | 6000 | 0.05 | 500 |
| ELJRE1N2□FA | 1.2 | | | | | 6000 | 0.06 | 500 |
| ELJRE1N5□FA | 1.5 | | | | | 6000 | 0.07 | 500 |
| ELJRE1N8□FA | 1.8 | | | | | 6000 | 0.08 | 500 |
| ELJRE2N2□FA | 2.2 | | | | | 6000 | 0.09 | 500 |
| ELJRE2N7□FA | 2.7 | | | | | 6000 | 0.10 | 500 |
| ELJRE3N3□FA | 3.3 | J : ±5 % | G : ±2 % | 100 | 100 | 5500 | 0.12 | 500 |
| ELJRE3N9□FA | 3.9 | | | | | 5500 | 0.15 | 450 |
| ELJRE4N7□FA | 4.7 | | | | | 4800 | 0.17 | 450 |
| ELJRE5N6□FA | 5.6 | | | | | 4600 | 0.18 | 430 |
| ELJRE6N8□FA | 6.8 | | | | | 3550 | 0.20 | 430 |
| ELJRE8N2□FA | 8.2 | | | | | 3500 | 0.28 | 400 |
| ELJRE10N□FA | 10 | | | | | 2800 | 0.32 | 400 |
| ELJRE12N□FA | 12 | | | | | 2800 | 0.35 | 400 |
| ELJRE15N□FA | 15 | | | | | 2500 | 0.41 | 350 |
| ELJRE18N□FA | 18 | | | | | 2300 | 0.45 | 350 |
| ELJRE22N□FA | 22 | | | | | 2000 | 0.50 | 300 |
| ELJRE27N□FA | 27 | | | | | 2000 | 0.55 | 300 |
| ELJRE33N□FA | 33 | 1800 | 0.60 | 300 | | | | |
| ELJRE39N□FA | 39 | 1800 | 0.80 | 300 | | | | |
| ELJRE47N□FA | 47 | 1800 | 0.95 | 250 | | | | |
| ELJRE56N□FA | 56 | 1800 | 1.20 | 250 | | | | |
| ELJRE68N□FA | 68 | 1500 | 1.30 | 250 | | | | |
| ELJRE82N□FA | 82 | 1500 | 1.50 | 250 | | | | |
| ELJRER10□FA | 100 | 1300 | 1.80 | 200 | | | | |
| ELJRER12□FA | 120 | 25.2 | 25.2 | 1200 | 3.00 | 130 | | |
| ELJRER15□FA | 150 | | | 1100 | 4.50 | 100 | | |
| ELJRER18□FA | 180 | | | 1000 | 6.50 | 80 | | |
| ELJRER22□FA | 220 | | | 900 | 7.50 | 70 | | |

□ : Symbol of Tolerance *1 : Self Resonant Frequency *2 : DC Resistance

■ ELJRE Type

■ Typical Characteristics



■ Reference Date

| Part No | Inductance (nH)(Typ.) | | | | | Q(Typ.) | | | | |
|-------------|-----------------------|--------|--------|--------|--------|---------|--------|--------|--------|--------|
| | 800MHz | 900MHz | 1.8GHz | 2.0GHz | 2.4GHz | 800MHz | 900MHz | 1.8GHz | 2.0GHz | 2.4GHz |
| ELJRE1N0□FA | 1.01 | 1.01 | 0.99 | 0.98 | 0.98 | 71.2 | 76.8 | 116.8 | 129.6 | 155.8 |
| ELJRE1N2□FA | 1.19 | 1.19 | 1.18 | 1.17 | 1.17 | 65.1 | 69.8 | 102.7 | 113.9 | 136.9 |
| ELJRE1N5□FA | 1.41 | 1.41 | 1.39 | 1.39 | 1.38 | 52.7 | 56.2 | 79.6 | 88.0 | 103.3 |
| ELJRE1N8□FA | 1.86 | 1.86 | 1.84 | 1.84 | 1.84 | 55.9 | 59.6 | 86.7 | 97.5 | 117.0 |
| ELJRE2N2□FA | 2.10 | 2.09 | 2.07 | 2.07 | 2.07 | 48.6 | 51.3 | 74.8 | 83.6 | 98.6 |
| ELJRE2N7□FA | 2.59 | 2.59 | 2.58 | 2.59 | 2.60 | 48.6 | 51.3 | 71.1 | 78.1 | 89.9 |
| ELJRE3N3□FA | 3.09 | 3.08 | 3.08 | 3.09 | 3.11 | 49.6 | 52.7 | 78.5 | 88.6 | 105.8 |
| ELJRE3N9□FA | 3.61 | 3.61 | 3.63 | 3.65 | 3.69 | 50.2 | 53.0 | 70.5 | 77.1 | 87.0 |
| ELJRE4N7□FA | 4.42 | 4.42 | 4.48 | 4.52 | 4.60 | 46.3 | 49.4 | 69.4 | 76.6 | 86.1 |
| ELJRE5N6□FA | 5.39 | 5.39 | 5.49 | 5.55 | 5.66 | 49.5 | 52.8 | 75.4 | 84.0 | 94.3 |
| ELJRE6N8□FA | 6.59 | 6.60 | 6.79 | 6.89 | 7.08 | 49.3 | 52.8 | 78.1 | 86.7 | 97.0 |
| ELJRE8N2□FA | 7.97 | 7.99 | 8.33 | 8.51 | 8.83 | 49.0 | 52.4 | 75.4 | 82.6 | 89.1 |
| ELJRE10N□FA | 9.60 | 9.63 | 10.22 | 10.51 | 11.07 | 44.2 | 47.0 | 63.4 | 68.0 | 69.7 |
| ELJRE12N□FA | 11.7 | 11.8 | 12.7 | 13.2 | 14.1 | 44.6 | 47.7 | 64.7 | 68.5 | 67.8 |
| ELJRE15N□FA | 14.6 | 14.6 | 16.2 | 17.1 | 18.7 | 42.4 | 45.4 | 58.4 | 59.5 | 56.9 |
| ELJRE18N□FA | 17.6 | 17.8 | 20.2 | 21.5 | 24.2 | 45.9 | 49.4 | 64.6 | 65.0 | 58.8 |
| ELJRE22N□FA | 21.7 | 21.9 | 26.0 | 28.3 | 33.3 | 43.0 | 45.8 | 54.2 | 52.2 | 43.8 |
| ELJRE27N□FA | 27.2 | 27.6 | 34.6 | 38.9 | 49.3 | 43.9 | 47.0 | 52.4 | 49.2 | 38.1 |
| ELJRE33N□FA | 33.3 | 33.9 | 45.5 | 53.2 | 75.2 | 41.8 | 44.4 | 45.2 | 39.3 | 26.2 |
| ELJRE39N□FA | 39.8 | 40.7 | 58.6 | 71.9 | 117.0 | 42.2 | 44.9 | 40.4 | 33.1 | 18.8 |
| ELJRE47N□FA | 48.3 | 49.6 | 79.8 | 107.1 | 260.7 | 42.6 | 45.3 | 34.1 | 24.0 | 8.8 |
| ELJRE56N□FA | 59.2 | 61.1 | 112.8 | 176.3 | 735.5 | 42.0 | 44.5 | 25.1 | 15.2 | 0.8 |
| ELJRE68N□FA | 73.9 | 77.0 | 185.9 | 459.7 | | 41.8 | 44.0 | 21.5 | 9.5 | |
| ELJRE82N□FA | 94.0 | 99.6 | 494.3 | | | 39.7 | 41.5 | 7.7 | | |
| ELJRER10□FA | 115.2 | 123.5 | 2141.2 | | | 35.3 | 36.7 | 1.6 | | |
| ELJRER12□FA | 143.4 | 156.9 | | | | 35.2 | 35.7 | | | |
| ELJRER15□FA | 188.5 | 210.6 | | | | 40.6 | 41.5 | | | |
| ELJRER18□FA | 242.9 | 280.4 | | | | 39.0 | 39.8 | | | |
| ELJRER22□FA | 337.9 | 416.6 | | | | 43.2 | 45.3 | | | |

□ : Symbol of Tolerance

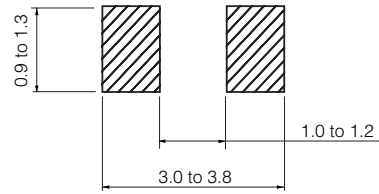
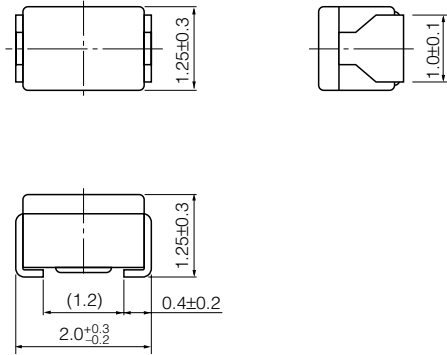
Design and specifications are each subject to change without notice. Ask factory for the current technical specifications before purchase and/or use. Should a safety concern arise regarding this product, please be sure to contact us immediately.

00 Sep. 2010

■ ND Type 2012 (0805)

● Dimensions in mm (not to scale)

● Recommended Land Pattern in mm (not to scale)



■ Standard Packing Quantity

● 3000 pcs./Reel

■ Standard Parts

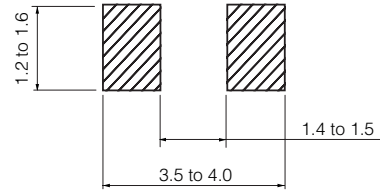
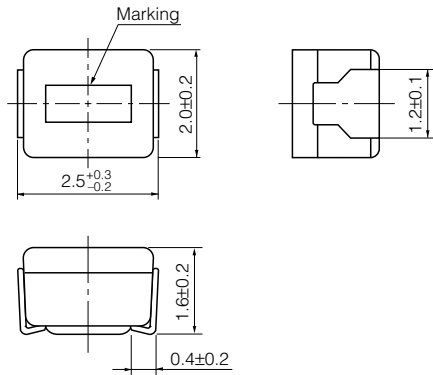
| Part No. | Inductance | | | Q | | SRF *1 (MHz) min. | R _{DC} *2 (Ω) max. | DC Current (mA) max. | | |
|------------|------------|-----------------------------|---------------------|-----------------------------|---------------------|----------------------|--------------------------------|-------------------------|------|-----|
| | (nH) | Tolerance (%) | Test Freq. (MHz) | min. | Test Freq. (MHz) | | | | | |
| ELJND10N□F | 10 | K : ±10 % | 100 | 10 | 100 | 3300 | 0.18 | 540 | | |
| ELJND12N□F | 12 | | | | | 3300 | 0.24 | 535 | | |
| ELJND15N□F | 15 | | | | | 3000 | 0.24 | 520 | | |
| ELJND18N□F | 18 | | | | | 3000 | 0.29 | 480 | | |
| ELJND22N□F | 22 | | | | | 2600 | 0.29 | 465 | | |
| ELJND27N□F | 27 | | | K : ±10 % or J : ±5 % | | 25.2 | 15 | 2500 | 0.34 | 455 |
| ELJND33N□F | 33 | | | | | | | 2050 | 0.39 | 395 |
| ELJND39N□F | 39 | | | | | | | 2000 | 0.41 | 390 |
| ELJND47N□F | 47 | | | | | | | 1650 | 0.46 | 385 |
| ELJND56N□F | 56 | | | | | | | 1550 | 0.51 | 360 |
| ELJND68N□F | 68 | 1450 | 0.57 | | 340 | | | | | |
| ELJND82N□F | 82 | 1100 | 0.63 | | 330 | | | | | |
| ELJNDR10□F | 100 | K : ±10 % or J : ±5 % | 25.2 | | 8 | | 800 | 0.86 | 285 | |
| ELJNDR12□F | 120 | | | | | | 600 | 0.99 | 275 | |
| ELJNDR15□F | 150 | | | | | | 600 | 1.47 | 230 | |
| ELJNDR18□F | 180 | | | 600 | | 1.61 | 195 | | | |
| ELJNDR22□F | 220 | | | 500 | | 1.84 | 170 | | | |
| ELJNDR27□F | 270 | | | 300 | 1.95 | 165 | | | | |
| ELJNDR33□F | 330 | | | 200 | 2.16 | 160 | | | | |
| ELJNDR39□F | 390 | | | 150 | 2.37 | 150 | | | | |
| ELJNDR47□F | 470 | | | 150 | 2.56 | 145 | | | | |
| ELJNDR56□F | 560 | | | 100 | 2.69 | 140 | | | | |
| ELJNDR68□F | 680 | 100 | 3.02 | 130 | | | | | | |
| ELJNDR82□F | 820 | 80 | 3.38 | 125 | | | | | | |
| ELJND1R0□F | 1000 | | 7.96 | 8 | 7.96 | 80 | 3.88 | 120 | | |

□ : Symbol of Tolerance *1 : Self Resonant Frequency *2 : DC Resistance

■ NC Type 2520 (1008)

● Dimensions in mm (not to scale)

● Recommended Land Pattern in mm (not to scale)



■ Standard Packing Quantity

● 2000 pcs./Reel

■ Standard Parts

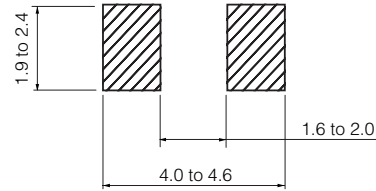
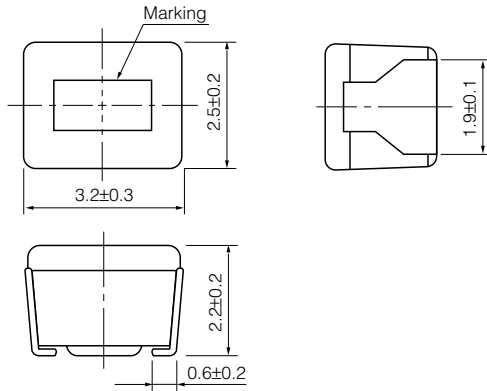
| Part No. | Inductance | | | Q | | SRF *1 (MHz) min. | R _{DC} *2 (Ω) max. | DC Current (mA) max. | | | | |
|------------|------------|-----------------------------|---------------------|------|---------------------|-----------------------------|--------------------------------|-------------------------|------|-----|------|-----|
| | (nH) | Tolerance (%) | Test Freq. (MHz) | min. | Test Freq. (MHz) | | | | | | | |
| ELJNC10N□F | 10 | K : ±10 % | 100 | 10 | 100 | 2500 | 0.32 | 280 | | | | |
| ELJNC12N□F | 12 | | | | | 2200 | 0.34 | 270 | | | | |
| ELJNC15N□F | 15 | | | | | 1800 | 0.38 | 255 | | | | |
| ELJNC18N□F | 18 | | | | | 1550 | 0.40 | 250 | | | | |
| ELJNC22N□F | 22 | | | | | 1350 | 0.43 | 240 | | | | |
| ELJNC27N□F | 27 | | | | | 1150 | 0.47 | 230 | | | | |
| ELJNC33N□F | 33 | K : ±10 % or J : ±5 % | 100 | 15 | 100 | 1000 | 0.51 | 220 | | | | |
| ELJNC39N□F | 39 | | | | | 890 | 0.55 | 215 | | | | |
| ELJNC47N□F | 47 | | | | | 770 | 0.59 | 205 | | | | |
| ELJNC56N□F | 56 | | | | | 670 | 0.63 | 200 | | | | |
| ELJNC68N□F | 68 | | | | | 590 | 0.68 | 190 | | | | |
| ELJNC82N□F | 82 | | | | | 520 | 0.73 | 185 | | | | |
| ELJNCR10□F | 100 | | | | | K : ±10 % or J : ±5 % | 25.2 | 10 | 25.2 | 460 | 0.80 | 175 |
| ELJNCR12□F | 120 | | | | | | | | | 400 | 0.87 | 170 |
| ELJNCR15□F | 150 | | | | | | | | | 340 | 0.98 | 160 |
| ELJNCR18□F | 180 | | | | | | | | | 300 | 1.05 | 155 |
| ELJNCR22□F | 220 | | | | | | | | | 260 | 1.15 | 145 |
| ELJNCR27□F | 270 | | | | | | | | | 230 | 1.25 | 140 |
| ELJNCR33□F | 330 | 200 | 1.37 | 135 | | | | | | | | |
| ELJNCR39□F | 390 | 180 | 1.47 | 130 | | | | | | | | |
| ELJNCR47□F | 470 | 160 | 1.58 | 125 | | | | | | | | |
| ELJNCR56□F | 560 | 145 | 1.70 | 120 | | | | | | | | |
| ELJNCR68□F | 680 | 130 | 1.85 | 110 | | | | | | | | |
| ELJNCR82□F | 820 | 100 | 2.10 | 100 | | | | | | | | |

□ : Symbol of Tolerance *1 : Self Resonant Frequency *2 : DC Resistance

■ NA Type 3225 (1210)

● Dimensions in mm (not to scale)

● Recommended Land Pattern in mm (not to scale)



■ Standard Packing Quantity

● 2000 pcs./Reel

■ Standard Parts

| Part No. | Inductance | | | Q | | SRF *1 (MHz) min. | R _{bc} *2 (Ω) max. | DC Current (mA) max. |
|------------|------------|-----------------------------|---------------------|------|---------------------|----------------------|--------------------------------|-------------------------|
| | (nH) | Tolerance (%) | Test Freq. (MHz) | min. | Test Freq. (MHz) | | | |
| ELJNA47N□F | 47 | M : ±20 % | 100 | 10 | 100 | 680 | 0.20 | 450 |
| ELJNA56N□F | 56 | | | | | 600 | 0.22 | 420 |
| ELJNA68N□F | 68 | | | | | 540 | 0.25 | 400 |
| ELJNA82N□F | 82 | | | | | 500 | 0.27 | 380 |
| ELJNAR10□F | 100 | | | | | 450 | 0.30 | 360 |
| ELJNAR12□F | 120 | | | | | 25.2 | 10 | 25.2 |
| ELJNAR15□F | 150 | 350 | 0.72 | 230 | | | | |
| ELJNAR18□F | 180 | 320 | 0.81 | 220 | | | | |
| ELJNAR22□F | 220 | 280 | 0.90 | 210 | | | | |
| ELJNAR27□F | 270 | 250 | 1.0 | 200 | | | | |
| ELJNAR33□F | 330 | K : ±10 % or J : ±5 % | 1 | 13 | 220 | | | |
| ELJNAR39□F | 390 | | | | 200 | 1.2 | 180 | |
| ELJNAR47□F | 470 | | | | 180 | 1.4 | 175 | |
| ELJNAR56□F | 560 | | | | 160 | 1.5 | 170 | |
| ELJNAR68□F | 680 | | | | 150 | 1.7 | 155 | |
| ELJNAR82□F | 820 | | | | 135 | 1.9 | 145 | |
| ELJNA1R0□F | 1000 | J : ±5 % | 1 | 13 | 7.96 | 120 | 2.1 | 125 |
| ELJNA1R2□F | 1200 | | | | | 110 | 2.3 | 120 |
| ELJNA1R5□F | 1500 | | | | | 95 | 2.7 | 115 |
| ELJNA1R8□F | 1800 | | | | | 85 | 3.0 | 110 |
| ELJNA2R2□F | 2200 | | | | | 80 | 3.2 | 110 |
| ELJNA2R7□F | 2700 | | | | | 70 | 3.6 | 105 |
| ELJNA3R3□F | 3300 | | | | | 62 | 4.2 | 100 |
| ELJNA3R9□F | 3900 | | | | | 57 | 4.4 | 95 |
| ELJNA4R7□F | 4700 | | | | | 52 | 7.7 | 70 |
| ELJNA5R6□F | 5600 | | | | | 46 | 8.7 | 65 |
| ELJNA6R8□F | 6800 | | | | | 42 | 10 | 60 |
| ELJNA8R2□F | 8200 | | | | | 38 | 11 | 60 |

□ : Symbol of Tolerance *1 : Self Resonant Frequency *2 : DC Resistance

Design and specifications are each subject to change without notice. Ask factory for the current technical specifications before purchase and/or use. Should a safety concern arise regarding this product, please be sure to contact us immediately.

00 Sep. 2010