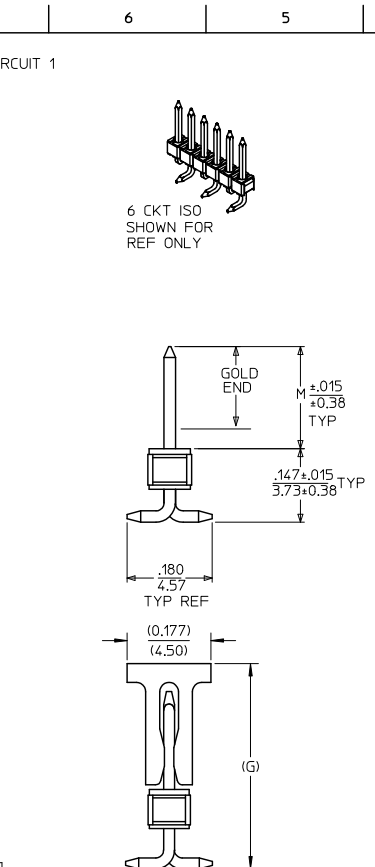
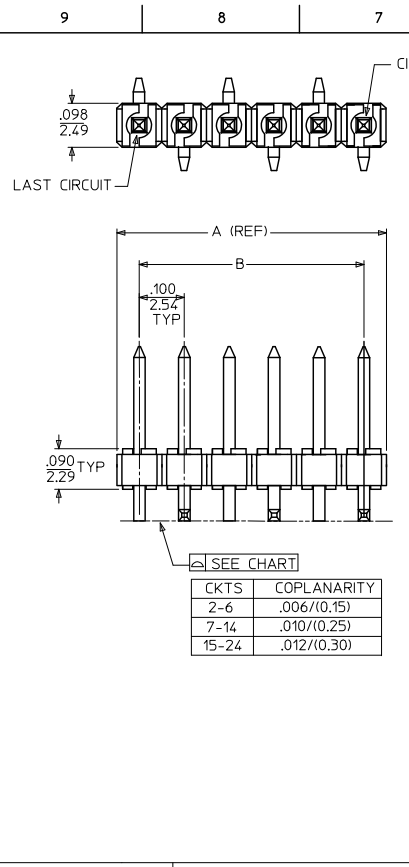


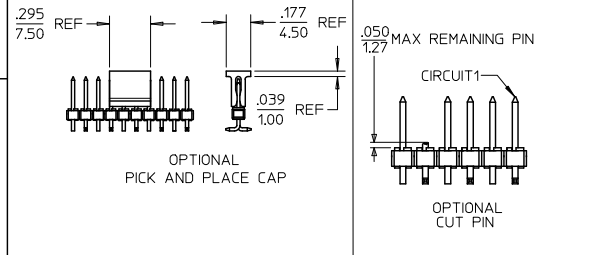
NO. OF CKTS	A	B
**	.200	
2	5.08	
3	.300	.200
	7.62	5.08
4	.400	.300
	10.16	7.62
5	.500	.400
	12.70	10.16
6	.600	.500
	15.24	12.70
7	.700	.600
	17.78	15.24
8	.800	.700
	20.32	17.78
9	.900	.800
	22.86	20.32
10	1.000	.900
	25.40	22.86
11	1.100	1.000
	27.94	25.40
12	1.200	1.100
	30.48	27.94
13	1.300	1.200
	33.02	30.48
14	1.400	1.300
	35.56	33.02
15	1.500	1.400
	38.10	35.56
16	1.600	1.500
	40.64	38.10
17	1.700	1.600
	43.18	40.64
18	1.800	1.700
	45.72	43.18
19	1.900	1.800
	48.26	45.72
20	2.000	1.900
	50.80	48.26
21	2.100	2.000
	53.34	50.80
22	2.200	2.100
	55.88	53.34
23	2.300	2.200
	58.42	55.88
24	2.400	2.300
	60.96	58.42



NOTES:

- MATERIAL: HOUSING: NYLON 46, GLASS FILLED, UL94V-0, COLOR: BLACK
PIN: .025/0.64 SQ PIN, PHOSPHOR BRONZE
- FINISH: A - *(154) OVERALL TIN: THICKNESS = .000100/0.00254 MIN
B - (208) SELECTIVE GOLD IN CONTACT AREA: THICKNESS = .000030/0.00076 MIN.
C - (228) SELECTIVE GOLD IN CONTACT AREA: THICKNESS = .000030/0.00076 MIN.
* SELECTIVE TIN IN PC TAIL AREA: THICKNESS = .000100/0.00254 MIN
OVERALL NICKEL UNDERPLATE: .000050/0.00127 MIN
* THE PRIMARY SHIPPING CARTON WILL BE LABELED, COMPLIANT TO RoHS DIRECTIVE 2002/95/EC AND ELV ANNEX II OF DIRECTIVE 2000/53/EC, AND CARTONS WITHOUT THIS LABEL MAY CONTAIN PRODUCT WITH TIN LEAD.
- PRODUCT SPEC: PS-87920-019
- PACKAGING INFORMATION: TUBE PACK : PK-89990-514
TAPE & REEL : PK-68300-001
- PARTS ARE NOT STACKABLE ON .100/2.54 CENTERS.
- TWO CKT PARTS WILL REQUIRE SUPPORT DURING THE SOLDER PROCESS. PLEASE CONTACT SALES/ FACTORY FOR TOOLING ACTIVATION OF TAPE & REEL PACKAGING.

PCB LAYOUT: COMPONENT SIDE



ADD T&R P/N	EC NO.	DRWNSKANG	CHKD:ATSEE	APPR:MLONG	DESCRIPTION	QUALITY SYMBOLS		GENERAL TOLERANCES (UNLESS SPECIFIED)		DIMENSION STYLE		SCALE	DESIGN UNITS	THIRD ANGLE PROJECTION
						mm	INCH	IN/MM	INCH	NTS	INCH			
68301-0400	S22009-0634	2009/04/01	2009/04/06	2009/07/14	DESCRIPTION	▽=0	▽=0	4 PLACES ± --- ± ---	DRAWN BY SAMIAC	DATE 2000/10/28	TITLE	CUSTOM HEADER		
								3 PLACES ± --- ± .005	CHECKED BY SAMIEC	DATE 2000/10/28		.100/(2.54) CENTERLINE		
								2 PLACES ± 0.13 ± .010	APPROVED BY EDGLEY	DATE 2000/10/28		VERTICAL/SMT SINGLE ROW		
								1 PLACE ± 0.25 ± ---	MATERIAL NO. SEE TABLE	DOCUMENT NO. SD-68301-001		MOLEX INCORPORATED		
								ANGULAR ± 1/2°	SIZE 3	THIS DRAWING CONTAINS INFORMATION THAT IS PROPRIETARY TO MOLEX INCORPORATED AND SHOULD NOT BE USED WITHOUT WRITTEN PERMISSION				

	10	9	8	7	6	5	4	3	2	1
	MATERIAL NO	OPTIONAL SUB ASSY	PLT REF	DIM M	DIM G	CKT SIZE	VOID CKT #	KINKED PIN	PICK & PLACE CAP	CUT PIN CKT NO.
F	68301-1007	42375-0010	154	.240 6.10	.433 10.99	10	NONE	NONE	YES	-
	68301-1109	42375-0115	154	.320 8.13	-	10	NONE	NONE	-	-
	68301-1159	△ 42375-0116	154	.320 8.13	.513 13.02	11	NONE	NONE	YES	-
	68301-1063	-	154	.240 6.10	-	12	NONE	NONE	-	-
	68301-1111	42375-0117	154	.320 8.13	-	12	NONE	NONE	-	-
	68301-1157	NONE	208	.605 15.37	-	12	NONE	NONE	-	-
E	68301-1065	42375-0014	154	.240 6.10	-	14	NONE	NONE	-	-
	68301-1129	42375-0154	208	.320 8.13	-	14	NONE	NONE	-	-
	68301-1113	42375-0121	154	.320 8.13	-	14	NONE	NONE	-	-
	68301-1066	42375-0015	154	.240 6.10	-	15	NONE	NONE	-	-
	68301-1067	42375-0016	154	.240 6.10	-	16	NONE	NONE	-	-
	68301-1115	42375-0121	154	.320 8.13	-	16	NONE	NONE	-	-
D	68301-1069	42375-0018	154	.240 6.10	-	18	NONE	NONE	-	-
	68301-1117	42375-0123	154	.320 8.13	-	18	NONE	NONE	-	-
	68301-1119	42375-0125	154	.320 8.13	-	20	NONE	NONE	-	-
	68301-1071	42375-0020	154	.240 6.10	-	20	NONE	NONE	-	-
	68301-1072	42375-0021	154	.240 6.10	-	21	NONE	NONE	-	-
C	68301-1123	42375-0129	154	.320 8.13	-	24	NONE	NONE	-	-

ADD T&R P/N 68301-0400 EC NO: S2009-0634 DRAWNSKANG 2009/02/04 CHYKATSEE 2009/02/06 APPR:MLONG 2009/02/14 M6 REV	QUALITY SYMBOLS	GENERAL TOLERANCES (UNLESS SPECIFIED)	DIMENSION STYLE IN/MM	SCALE NTS	DESIGN UNITS INCH	THIRD ANGLE PROJECTION
	▽=0	4 PLACES ± --- ± ---	mm INCH	DRAWN BY DATE	TITLE	
	▽=0	3 PLACES ± --- ± .005		SAMIAC 2000/10/28	CUSTOM HEADER	
		2 PLACES ± 0.13 ± .010		CHECKED BY DATE	.100/(2.54) CENTERLINE	
		1 PLACE ± 0.25 ± ---		SAMIEC 2000/10/28	VERTICAL/SMT SINGLE ROW	
	ANGULAR ±1/2°		APPROVED BY DATE	MOLEX INCORPORATED		
		DRAFT WHERE APPLICABLE MUST REMAIN WITHIN DIMENSIONS	EDGLEY 2000/10/28	MATERIAL NO. SEE TABLE	DOCUMENT NO. SD-68301-001	SHEET NO. 2 OF 5
			SIZE A3	THIS DRAWING CONTAINS INFORMATION THAT IS PROPRIETARY TO MOLEX INCORPORATED AND SHOULD NOT BE USED WITHOUT WRITTEN PERMISSION		

tb_frame_A3_P_AM.T
Rev. E 2006/04/15

	10	9	8	7	6	5	4	3	2	1
	MATERIAL NO.	OPTIONAL SUB ASSY	PLT REF	DIM M	DIM G	CKT SIZE	VOID CKT #	KINKED PIN	PICK & PLACE CAP	CUT PIN CKT NO.
F	68301-1054	42375-0002	154	.240 6.10	-	2	NONE	NONE	-	-
	68301-1055	42375-0037	208	.240 6.10	-	2	NONE	NONE	-	-
	68301-1056	42375-0072	228	.240 6.10	-	2	NONE	NONE	-	-
	68301-1051	42375-0107	154	.320 8.13	-	2	NONE	NONE	-	-
	68301-1009	42375-0038	208	.240 6.10	-	3	NONE	NONE	-	-
	68301-1014	42375-0003	154	.240 6.10	-	3	NONE	NONE	-	-
E	68301-1020	42375-0073	228	.240 6.10	-	3	NONE	NONE	-	-
	68301-1031	42375-0108	154	.320 8.13	-	3	NONE	NONE	-	-
	68301-1037	42375-0143	208	.320 8.13	-	3	NONE	NONE	-	-
	68301-1010	42375-0039	208	.240 6.10	-	4	NONE	NONE	-	-
	68301-1015	42375-0004	154	.240 6.10	-	4	NONE	NONE	-	-
	68301-1021	42375-0074	228	.240 6.10	-	4	NONE	NONE	-	-
D	68301-1032	42375-0109	154	.320 8.13	-	4	NONE	NONE	-	-
	68301-0400	-	228	.320 8.13	.513 13.02	4	NONE	NONE	YES	-
	68301-1038	42375-0144	208	.320 8.13	-	4	NONE	NONE	-	-
	68301-1006	42375-0040	208	.240 6.10	-	5	NONE	NONE	-	-
	68301-1016	42375-0005	154	.240 6.10	-	5	NONE	NONE	-	-
C	68301-1033	42375-0110	154	.320 8.13	-	5	NONE	NONE	-	-
	68301-1039	42375-0145	208	.320 8.13	-	5	NONE	NONE	-	-

ADD T&R P/N 68301-0400 EC NO: S22009-0634 DRWNSKANG 2009/02/04 CHYKATSEE 2009/02/06 APPR:MLONG 2009/02/14 M6 REV	QUALITY SYMBOLS	GENERAL TOLERANCES (UNLESS SPECIFIED)	DIMENSION STYLE IN/MM	SCALE NTS	DESIGN UNITS INCH	THIRD ANGLE PROJECTION																											
	$\nabla=0$ $\nabla=0$	<table border="1"> <tr><td></td><td>mm</td><td>INCH</td></tr> <tr><td>4 PLACES</td><td>± .005</td><td>± .0005</td></tr> <tr><td>3 PLACES</td><td>± .013</td><td>± .010</td></tr> <tr><td>2 PLACES</td><td>± 0.25</td><td>± .005</td></tr> <tr><td>1 PLACE</td><td>± 0.25</td><td>± .005</td></tr> </table>		mm	INCH	4 PLACES	± .005	± .0005	3 PLACES	± .013	± .010	2 PLACES	± 0.25	± .005	1 PLACE	± 0.25	± .005	<table border="1"> <tr><td>DRAWN BY</td><td>DATE</td></tr> <tr><td>SAMIAC</td><td>2000/10/28</td></tr> <tr><td>CHECKED BY</td><td>DATE</td></tr> <tr><td>SAMI EC</td><td>2000/10/28</td></tr> <tr><td>APPROVED BY</td><td>DATE</td></tr> <tr><td>EDGLEY</td><td>2000/10/28</td></tr> </table>	DRAWN BY	DATE	SAMIAC	2000/10/28	CHECKED BY	DATE	SAMI EC	2000/10/28	APPROVED BY	DATE	EDGLEY	2000/10/28	TITLE	CUSTOM HEADER .100/(2.54) CENTERLINE VERTICAL/SMT SINGLE ROW	MOLEX INCORPORATED
		mm	INCH																														
	4 PLACES	± .005	± .0005																														
3 PLACES	± .013	± .010																															
2 PLACES	± 0.25	± .005																															
1 PLACE	± 0.25	± .005																															
DRAWN BY	DATE																																
SAMIAC	2000/10/28																																
CHECKED BY	DATE																																
SAMI EC	2000/10/28																																
APPROVED BY	DATE																																
EDGLEY	2000/10/28																																
DRAFT WHERE APPLICABLE MUST REMAIN WITHIN DIMENSIONS	SEE TABLE	MATERIAL NO.	DOCUMENT NO.	SHEET NO.	SD-68301-001	3 OF 5																											

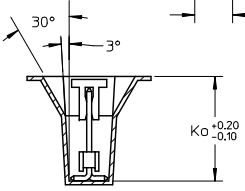
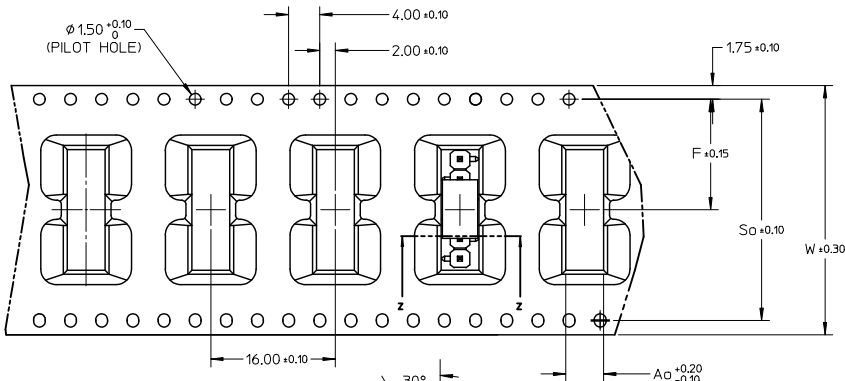
tb_frame_A3_P_AM.T
Rev. E 2006/04/15

	10	9	8	7	6	5	4	3	2	1	
	ASSEMBLY IN TUBE	ASSEMBLY IN T&R WITH CAP	OPTIONAL SUB ASSY	PLT REF	DIM M	DIM G	CKT SIZE	VOID CKT #	KINKED PIN	PICK & PLACE CAP	CUT PIN CKT NO.
F	68301-1011	-	42375-0041	208	.240 6.10	-	6	NONE	NONE	-	-
	68301-1017	-	42375-0006	154	.240 6.10	-	6	NONE	NONE	-	-
	68301-1034	68301-1160	42375-0111	154	.320 8.13	.513 13.02	6	NONE	NONE	YES	-
	68301-1040	-	42375-0146	208	.320 8.13	-	6	NONE	NONE	-	-
	68301-1023	-	42375-0076	228	.240 6.10	-	6	NONE	NONE	-	-
	68301-1012	-	42375-0042	208	.240 6.10	-	7	NONE	NONE	-	-
E	68301-1018	-	42375-0007	154	.240 6.10	-	7	NONE	NONE	-	-
	68301-1035	-	42375-0112	154	.320 8.13	-	7	NONE	NONE	-	-
	68301-1041	-	42375-0147	208	.320 8.13	-	7	NONE	NONE	-	-
	68301-1013	-	42375-0043	208	.240 6.10	-	8	NONE	NONE	-	-
	68301-1029	-	-	228	.240 6.10	-	8	NONE	NONE	-	-
	68301-1019	-	42375-0008	154	.240 6.10	-	8	NONE	NONE	-	-
D	68301-1028	-	-	228	.505 12.83	-	8	NONE	NONE	-	-
	68301-1036	-	42375-0113	154	.320 8.13	-	8	NONE	NONE	-	-
	68301-1042	-	42375-0148	208	.320 8.13	-	8	NONE	NONE	-	-
	68301-0800	-	-	208	.605 15.37	-	8	NONE	NONE	-	-
	68301-1076	-	42375-0044	208	.240 6.10	-	9	NONE	NONE	-	-
	68301-1060	-	-	154	.240 6.10	-	9	NONE	NONE	-	-

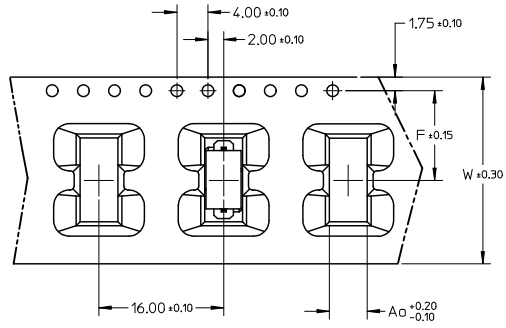
ADD T&R P/N 68301-0400 EC NO: S22009-0634 DRWNSKANG 2009/04/04 CHYKATSEE 2009/04/06 APPR:MLONG 2009/04/14 M6 REV	QUALITY SYMBOLS	GENERAL TOLERANCES (UNLESS SPECIFIED)	DIMENSION STYLE	SCALE	DESIGN UNITS	THIRD ANGLE PROJECTION																																	
	$\nabla=0$ $\nabla=0$	<table border="1"> <tr> <th></th> <th>mm</th> <th>INCH</th> </tr> <tr> <td>4 PLACES</td> <td>± .005</td> <td>± .0005</td> </tr> <tr> <td>3 PLACES</td> <td>± .010</td> <td>± .0010</td> </tr> <tr> <td>2 PLACES</td> <td>± 0.13</td> <td>± .010</td> </tr> <tr> <td>1 PLACE</td> <td>± 0.25</td> <td>± .010</td> </tr> </table>		mm	INCH	4 PLACES	± .005	± .0005	3 PLACES	± .010	± .0010	2 PLACES	± 0.13	± .010	1 PLACE	± 0.25	± .010	<table border="1"> <tr> <th>IN/MM</th> <th>DATE</th> </tr> <tr> <td>DRAWN BY</td> <td>DATE</td> </tr> <tr> <td>SAMIAC</td> <td>2000/10/28</td> </tr> <tr> <td>CHECKED BY</td> <td>DATE</td> </tr> <tr> <td>SAMIEC</td> <td>2000/10/28</td> </tr> <tr> <td>APPROVED BY</td> <td>DATE</td> </tr> <tr> <td>EDGLEY</td> <td>2000/10/28</td> </tr> </table>	IN/MM	DATE	DRAWN BY	DATE	SAMIAC	2000/10/28	CHECKED BY	DATE	SAMIEC	2000/10/28	APPROVED BY	DATE	EDGLEY	2000/10/28	<table border="1"> <tr> <th>NTS</th> <th>INCH</th> </tr> <tr> <td>SCALE</td> <td>INCH</td> </tr> </table>	NTS	INCH	SCALE	INCH	TITLE	CUSTOM HEADER .100/(2.54) CENTERLINE VERTICAL/SMT SINGLE ROW MOLEX INCORPORATED
		mm	INCH																																				
	4 PLACES	± .005	± .0005																																				
3 PLACES	± .010	± .0010																																					
2 PLACES	± 0.13	± .010																																					
1 PLACE	± 0.25	± .010																																					
IN/MM	DATE																																						
DRAWN BY	DATE																																						
SAMIAC	2000/10/28																																						
CHECKED BY	DATE																																						
SAMIEC	2000/10/28																																						
APPROVED BY	DATE																																						
EDGLEY	2000/10/28																																						
NTS	INCH																																						
SCALE	INCH																																						
	DRAFT WHERE APPLICABLE MUST REMAIN WITHIN DIMENSIONS	MATERIAL NO.	SEE TABLE	DOCUMENT NO.	SD-68301-001	SHEET NO.	4 OF 5																																
		THIS DRAWING CONTAINS INFORMATION THAT IS PROPRIETARY TO MOLEX INCORPORATED AND SHOULD NOT BE USED WITHOUT WRITTEN PERMISSION																																					

CKT SIZE	QTY/ REEL	Ao	Ko	F	So	W	TYPE
4	TBD	4.85	13.40	11.50	-	24.00	B
6	230	4.85	13.40	14.20	28.40	32.00	A
10	230	4.90	11.30	20.20	40.40	44.00	A

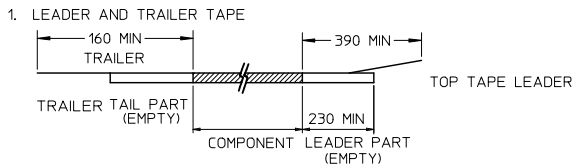
EMBOSSED TYPE A



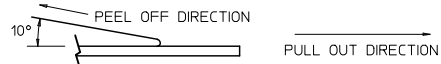
EMBOSSED TYPE B



NOTES:



2. PEELING OFF FORCE OF THE TOP TAPE: 60gf MAX.
(PEELING DIRECTION AS SHOWN IN FOLLOWING FIGURE)



- 3. THE TAPE IS TREATED FOR ANTI ESD
- 4. PACKAGING STANDARD AS PER EIA-481.
- 5. ABOVE PACKAGING ILLUSTRATION IS FOR 6CKT ONLY.

ADD T&R P/N 68301-0400 EIC NO: S2009-0634 DRWNSKANG 2009/02/07 CHYKATSEE 2009/02/06 APPR:MLONG 2009/02/11	QUALITY SYMBOLS	GENERAL TOLERANCES (UNLESS SPECIFIED)	DIMENSION STYLE IN/MM	SCALE NTS	DESIGN UNITS INCH	THIRD ANGLE PROJECTION																																		
	$\nabla=0$ $\nabla=0$	<table border="1"> <tr><th></th><th>mm</th><th>INCH</th></tr> <tr><td>4 PLACES</td><td>± ---</td><td>± ---</td></tr> <tr><td>3 PLACES</td><td>± ---</td><td>± .005</td></tr> <tr><td>2 PLACES</td><td>± 0.13</td><td>± .010</td></tr> <tr><td>1 PLACE</td><td>± 0.25</td><td>± ---</td></tr> </table>		mm	INCH	4 PLACES	± ---	± ---	3 PLACES	± ---	± .005	2 PLACES	± 0.13	± .010	1 PLACE	± 0.25	± ---	<table border="1"> <tr><th colspan="2">DRAWN BY</th><th>DATE</th></tr> <tr><td colspan="2">SAMIAC</td><td>2000/10/28</td></tr> <tr><th colspan="2">CHECKED BY</th><th>DATE</th></tr> <tr><td colspan="2">SAMI EC</td><td>2000/10/28</td></tr> <tr><th colspan="2">APPROVED BY</th><th>DATE</th></tr> <tr><td colspan="2">EDGLEY</td><td>2000/10/28</td></tr> </table>	DRAWN BY		DATE	SAMIAC		2000/10/28	CHECKED BY		DATE	SAMI EC		2000/10/28	APPROVED BY		DATE	EDGLEY		2000/10/28	TITLE	CUSTOM HEADER .100/(2.54) CENTERLINE VERTICAL/SMT SINGLE ROW		MOLEX INCORPORATED
		mm	INCH																																					
	4 PLACES	± ---	± ---																																					
3 PLACES	± ---	± .005																																						
2 PLACES	± 0.13	± .010																																						
1 PLACE	± 0.25	± ---																																						
DRAWN BY		DATE																																						
SAMIAC		2000/10/28																																						
CHECKED BY		DATE																																						
SAMI EC		2000/10/28																																						
APPROVED BY		DATE																																						
EDGLEY		2000/10/28																																						
DRAFT WHERE APPLICABLE MUST REMAIN WITHIN DIMENSIONS	ANGULAR ±1/2°	MATERIAL NO. SEE TABLE	DOCUMENT NO. SD-68301-001	SHEET NO. 5 OF 5																																				
THIS DRAWING CONTAINS INFORMATION THAT IS PROPRIETARY TO MOLEX INCORPORATED AND SHOULD NOT BE USED WITHOUT WRITTEN PERMISSION																																								