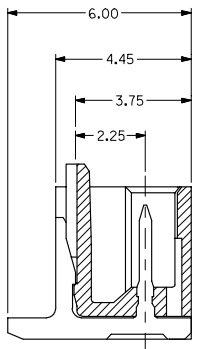
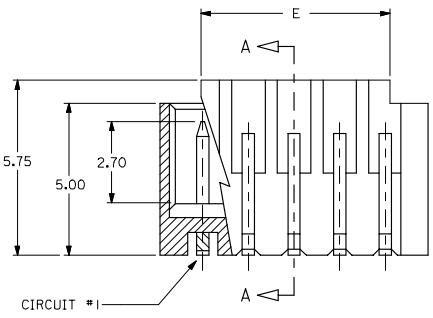
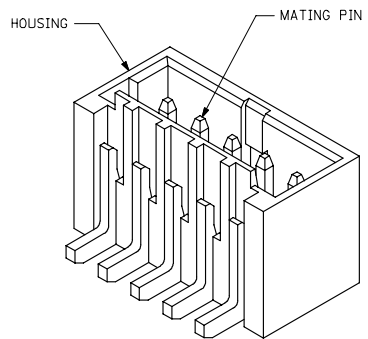
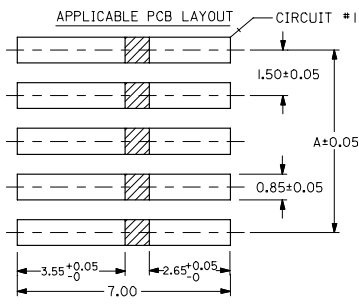
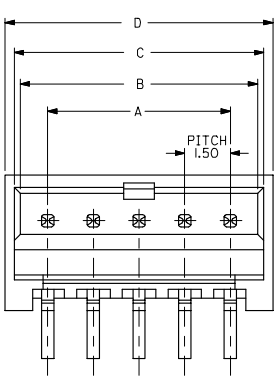


10 9 8 7 6 5 4 3 2 1

F
E
D
C
B
A

F
E
D
C
B
A



SECTION A-A

- NOTES:
- MATERIALS:
HOUSING: GLASS-FILLED NYLON 46, UL RATED 94V-0, COLOR BEIGE.
PINS: BRASS ALLOY, C26000
 - PLATING: 2.54µM MIN. TIN/LEAD or TIN OVER 1.27µM MIN. NICKEL.
 - DRAWING SHOWS PLUG WITH 5 CIRCUITS.
 - HEADER TO BE USED WITH CRIMP HOUSING, P/N 87439 AND CRIMP TERMINAL, P/N 87421.

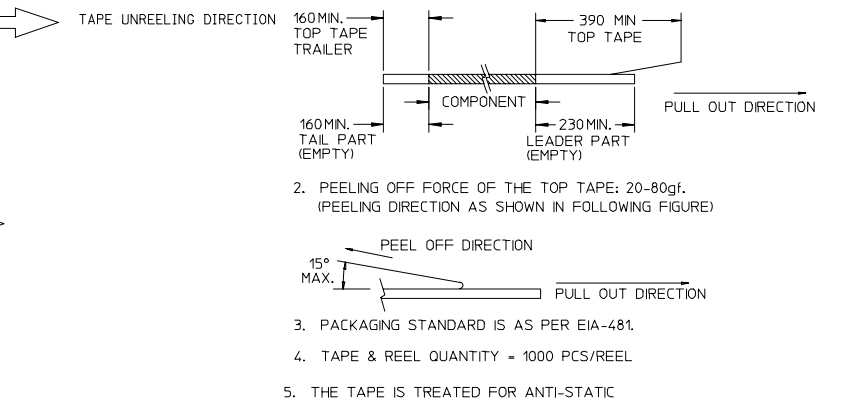
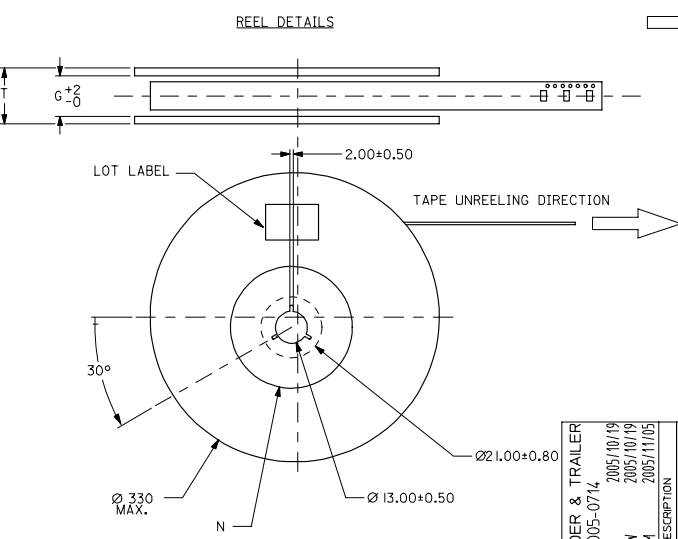
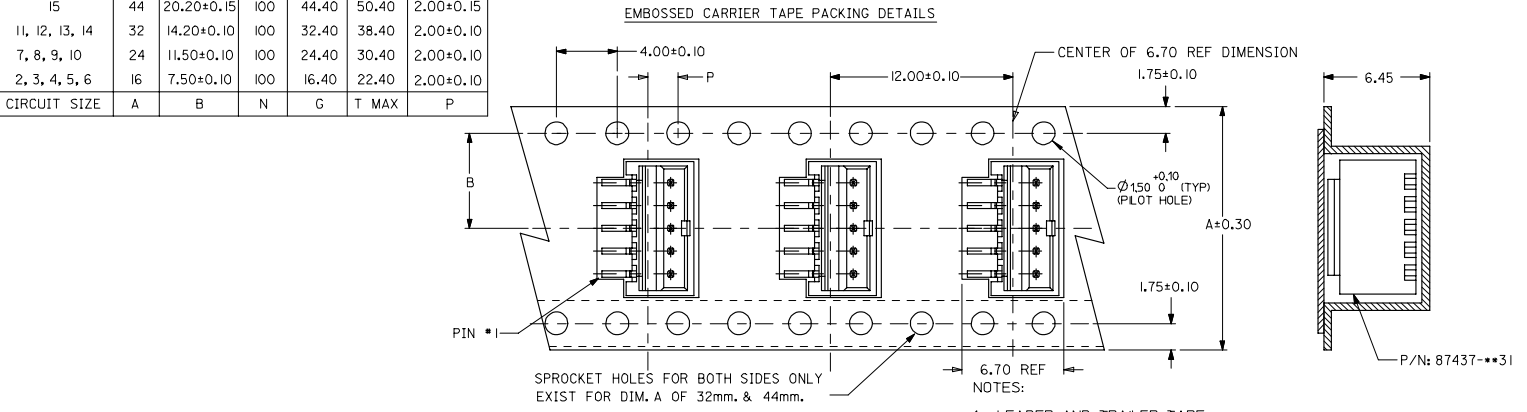
UPDATE REVISION EC NO. S2005-0714 DRAWN BY CHIKO-BLUM 2005/10/19 APPR: PTLIM 2005/11/05	QUALITY SYMBOLS ▽=0 ▽=0	GENERAL TOLERANCES (UNLESS SPECIFIED)		DIMENSION STYLE MM ONLY		SCALE NTS	DESIGN UNITS METRIC	THIRD ANGLE PROJECTION	
		mm	INCH	DRAWN BY KCLING	DATE 1994/04/08	TITLE SALES DRAWING 1.50MM PITCH, W-T-B VERTICAL HEADER, SMT MOLEX INCORPORATED			
		4 PLACES ±---	±---	CHECKED BY SKTOH	DATE 1994/04/21				
		3 PLACES ±---	±---	APPROVED BY ROYWONG	DATE 1994/04/21	MATERIAL NO.	DOCUMENT NO.	SHEET NO.	
2 PLACES ±0.20	±---	DRAFT WHERE APPLICABLE MUST REMAIN WITHIN DIMENSIONS		SEE TABLE	SD-87437-***31	1 OF 3			
1 PLACE ±---	±---	ANGULAR ± 3°		THIS DRAWING CONTAINS INFORMATION THAT IS PROPRIETARY TO MOLEX INCORPORATED AND SHOULD NOT BE USED WITHOUT WRITTEN PERMISSION					

9 8 7 6 5 4 3 2 1

	10	9	8	7	6	5	4	3	2	1						
					LEAD FREE TERMINAL P/N	HEADER IN TUBE PACKING	HEADER IN TAPE & REEL	TIN/LEAD TERMINAL P/N	HEADER IN TUBE PACKING	HEADER IN TAPE & REEL	CIRCUIT SIZE	A	B	C	D	E
					87437-0242	87437-0242		87437-0232	87437-0233	2	1.50	3.30	3.70	4.30	1.70	
					87437-0342	87437-0343		87437-0332	87437-0333	3	3.00	4.80	5.20	5.80	3.20	
					87437-0442	87437-0443		87437-0432	87437-0433	4	4.50	6.30	6.70	7.30	4.70	
					87437-0542	87437-0543		87437-0532	87437-0533	5	6.00	7.80	8.20	8.80	6.20	
					87437-0642	87437-0643		87437-0632	87437-0633	6	7.50	9.30	9.70	10.30	7.70	
					87437-0742	87437-0743		87437-0732	87437-0733	7	9.00	10.80	11.20	11.80	9.20	
					87437-0842	87437-0843	87437-8082	87437-0832	87437-0833	8	10.50	12.30	12.70	13.30	10.70	
					87437-0942	87437-0943		87437-0932	87437-0933	9	12.00	13.80	14.20	14.80	12.20	
					87437-1042	87437-1043		87437-1032	87437-1033	10	13.50	15.30	15.70	16.30	13.70	
					87437-1142	87437-1143		87437-1132	87437-1133	11	15.00	16.80	17.20	17.80	15.20	
					87437-1242	87437-1243		87437-1232	87437-1233	12	16.50	18.30	18.70	19.30	16.70	
					87437-1342	87437-1343		87437-1332	87437-1333	13	18.00	19.80	20.20	20.80	18.20	
					87437-1442	87437-1443		87437-1432	87437-1433	14	19.50	21.30	21.70	22.30	19.70	
					87437-1542	87437-1543		87437-1532	87437-1533	15	21.00	22.80	23.20	23.80	21.20	
					LEAD FREE			TIN/LEAD								

UPDATE REVISION EC NO. S2005-0714 DRAWN BY: DRWANKSEE CHECKED BY: CHIKO-BHLOW APPR: PTLIM 2005/10/19 2005/10/19 2005/11/05	QUALITY SYMBOLS ▽=0 ▽=0	GENERAL TOLERANCES (UNLESS SPECIFIED)		DIMENSION STYLE MM ONLY		SCALE NTS	DESIGN UNITS METRIC	THIRD ANGLE PROJECTION	
		4 PLACES ± --- ± ---	mm INCH	DRAWN BY KCLING	DATE 1994/04/08	TITLE SALES DRAWING 1.50MM PITCH, W-T-B VERTICAL HEADER, SMT			
		3 PLACES ± --- ± ---		CHECKED BY SKTOH	DATE 1994/04/21	MOLEX INCORPORATED			
		2 PLACES ± 0.20 ± --- 1 PLACE ± --- ± --- ANGULAR ± 3 °		APPROVED BY ROYWONG	DATE 1994/04/21	MATERIAL NO. _____ DOCUMENT NO. SD-87437-***31 SHEET NO. 2 OF 3			
C1	DRAFT WHERE APPLICABLE MUST REMAIN WITHIN DIMENSIONS	SEE TABLE		THIS DRAWING CONTAINS INFORMATION THAT IS PROPRIETARY TO MOLEX INCORPORATED AND SHOULD NOT BE USED WITHOUT WRITTEN PERMISSION					

10	9	8	7	6	5	4	3	2	1
15	44	20.20±0.15	100	44.40	50.40	2.00±0.15			
11, 12, 13, 14	32	14.20±0.10	100	32.40	38.40	2.00±0.10			
7, 8, 9, 10	24	11.50±0.10	100	24.40	30.40	2.00±0.10			
2, 3, 4, 5, 6	16	7.50±0.10	100	16.40	22.40	2.00±0.10			
CIRCUIT SIZE	A	B	N	G	T MAX	P			



- LEADER AND TRAILER TAPE
- PEELING OFF FORCE OF THE TOP TAPE: 20-80gf. (PEELING DIRECTION AS SHOWN IN FOLLOWING FIGURE)
- PACKAGING STANDARD IS AS PER EIA-481.
- TAPE & REEL QUANTITY = 1000 PCS/REEL
- THE TAPE IS TREATED FOR ANTI-STATIC

ADD LEADER & TRAILER EC NO. S2005-0714 DRAWN BY: DRWAKSEE CHKD BY: CHIKDIBHLOW APPR: PTLIM 2005/10/19 2005/10/19 2005/11/05	QUALITY SYMBOLS ▽=0 ▽=0	GENERAL TOLERANCES (UNLESS SPECIFIED)		DIMENSION STYLE MM ONLY		SCALE NTS	DESIGN UNITS METRIC	THIRD ANGLE PROJECTION	
		4 PLACES ± --- ± ---	3 PLACES ± --- ± ---	2 PLACES ± 0.20 ± ---	1 PLACE ± --- ± ---	ANGULAR ± 3 °	DRAWN BY: KCLING DATE: 1994/04/08	CHECKED BY: SKTOH DATE: 1994/04/21	APPROVED BY: ROYWONG DATE: 1994/04/24
REV C1	DRAFT WHERE APPLICABLE MUST REMAIN WITHIN DIMENSIONS	SEE TABLE	MATERIAL NO.	DOCUMENT NO.	SD-87437-***31		SHEET NO. 3 OF 3		
		SIZE A3		THIS DRAWING CONTAINS INFORMATION THAT IS PROPRIETARY TO MOLEX INCORPORATED AND SHOULD NOT BE USED WITHOUT WRITTEN PERMISSION					