

90814 - **

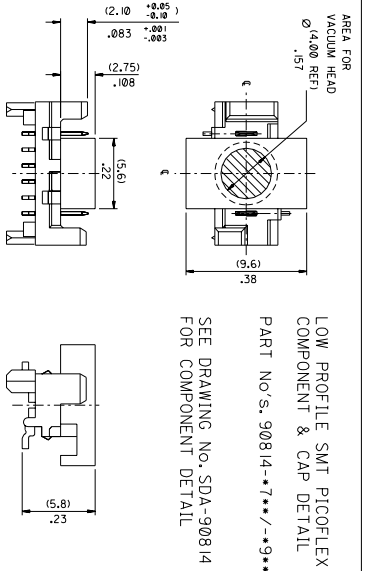
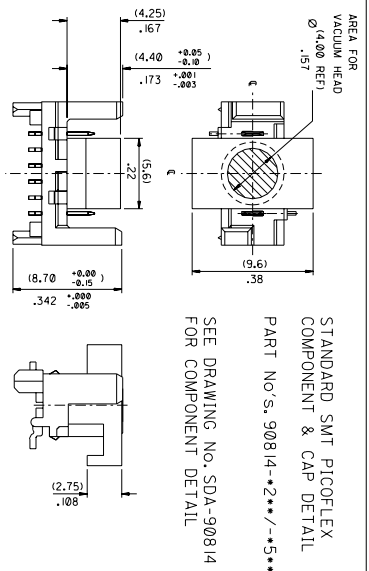
	PCB PEGS	TUBE PACKED	TAPE & REEL PACKED	POLARIZING PEG HEIGHT DIMN. E
0	YES	YES	NO	(6.40)/.252
2	YES	NO	YES	(6.40)/.252
3	NO	YES	NO	(6.40)/.252
5	NO	NO	YES	(6.40)/.252
6	NO	YES	NO	(4.10)/.161
7	NO	NO	YES	(4.10)/.161
8	YES	YES	NO	(4.10)/.161
9	YES	NO	YES	(4.10)/.161

0= (3-5UM)/I20-200UIN TIN VERSION
3= (0.76UM)/30UIN GOLD VERSION

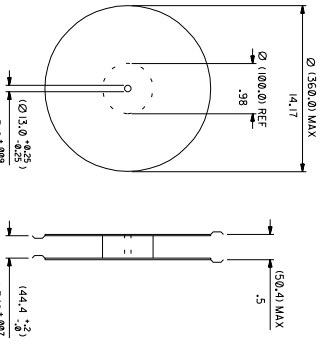
90814-**-34	34	(46.96)/.1849	(41.91)/.1650	(45.76)/.1802	10	NO
90814-**-26	26	(36.80)/.1449	(31.75)/.1250	(35.60)/.1402	14	YES
90814-**-24	24	(34.26)/.1349	(29.21)/.1150	(33.06)/.1302	15	YES
90814-**-22	22	(31.72)/.1249	(26.67)/.1050	(30.52)/.1202	16	YES
90814-**-20	20	(29.18)/.1149	(24.13)/.0950	(27.98)/.1102	18	YES
90814-**-18	18	(26.64)/.1049	(21.59)/.0850	(25.44)/.1002	20	YES
90814-**-16	16	(24.10)/.949	(19.05)/.0750	(22.90)/.0902	22	YES
90814-**-14	14	(21.56)/.849	(16.51)/.650	(20.36)/.802	25	YES
90814-**-12	12	(19.02)/.749	(13.97)/.550	(17.82)/.702	28	YES
90814-**-10	10	(16.48)/.649	(11.43)/.450	(15.28)/.602	32	YES
90814-**-08	8	(13.94)/.549	(8.89)/.350	(12.74)/.502	38	YES
90814-**-06	6	(11.40)/.449	(6.35)/.250	(10.20)/.402	46	YES
90814-**-04	4	(8.86)/.349	(3.81)/.150	(7.66)/.302	60	YES
PART NO.	NUMBER OF CKTS	DIMN. A	DIMN. B	DIMN. C	QUANTITY OF PARTS PER TUBE (-#0**/-#3**/-#6** & -#8** VERSIONS)	TOOLED

- NOTES:
- MATERIAL: HOUSING: NYLON 4/6 30% G.F., UL 94 V-0, NATURAL (BEIGE) TERMINAL- CARTRIDGE BRASS (0.28)/.011 REF THICK
 - PLATING: TIN: TIN (3-5UM)/I20uin-200uin OVER (1.27um)/5uin MIN NICKEL. GOLD: (0.76UM)/30UIN SELECTIVE GOLD AND (0.10-0.20UM)/4UIN-8UIN GOLD FLASH OVER (1.27UM)/50UIN NICKEL UNDERCOAT
 - MATES WITH MOLEX 90327 PART SERIES
 - ALL SMT TAILS TO LIE WITHIN A COPLANARITY BAND OF (0.01)/.0 - (0.15)/.006 REF. FROM EACH OTHER.
 - FOR TAPE & REEL PACKAGING DETAILS SEE SDA-90814-9001
 - PCB PEGS ARE OPTIONAL
 - PCB LAYOUT SHOWN ON SHEET 2

EDIT TUBE QUANTITY EC NO: E2006-0091 DRW: MGR: KSM: EEN 2005/08/17 CHK: J: JEN: H: Y 2005/08/17 APPR: J: JEN: H: Y 2005/08/17 REV:	QUALITY SYMBOLS ▽=0 ▽=0	GENERAL TOLERANCES (UNLESS SPECIFIED) mm INCH 4 PLACES ±.004 ±.004 3 PLACES ±.004 ±.004 2 PLACES ±.010 ±.010 1 PLACE ±.020 ±.020 ANGULAR ±1/2°		DIMENSION STYLE MM/IN	SCALE 5:1	DESIGN UNITS METRIC	THIRD ANGLE PROJECTION
		DRAFT WHERE APPLICABLE MUST REMAIN WITHIN DIMENSIONS		DRAWN BY: DMCNAMAR DATE: 2001/08/16 CHECKED BY: DATE: 2001/08/16 APPROVED BY: MWLHITE DATE: 2001/08/16	TITLE PICO FLEX SMT HEADER	MOLEX INCORPORATED	SHEET NO. 1 OF 2



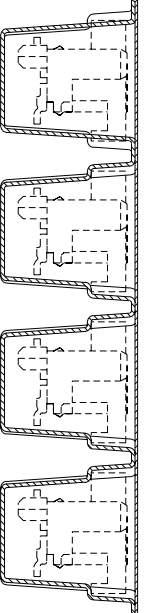
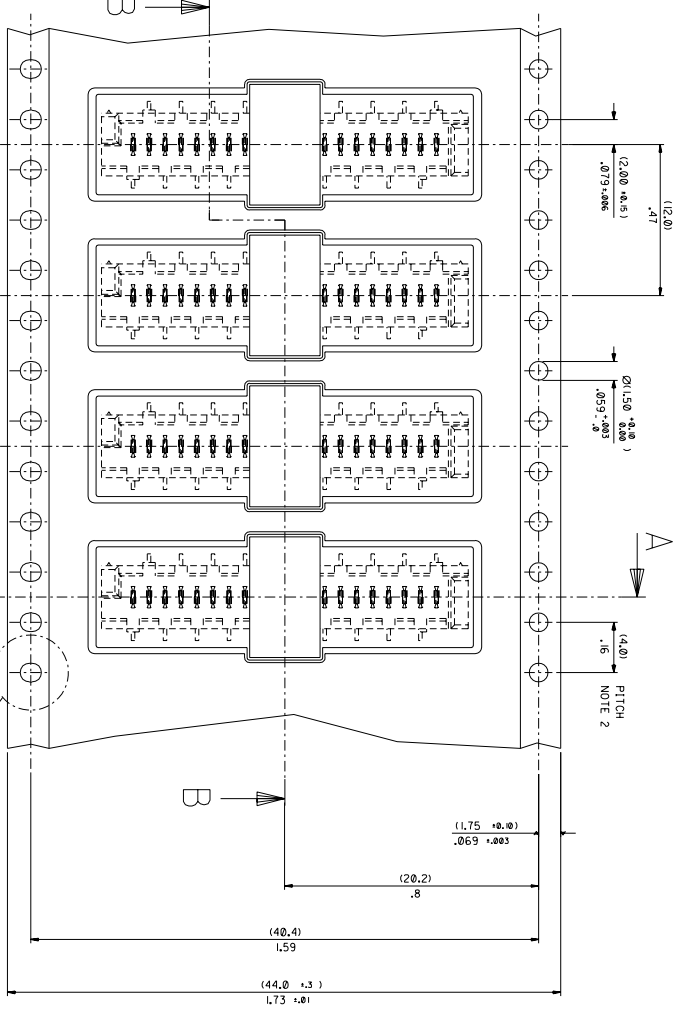
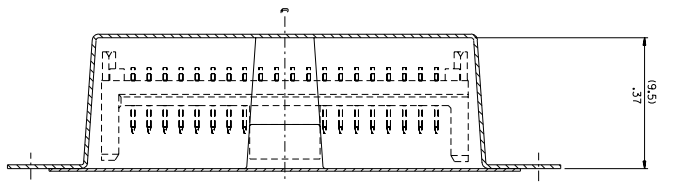
REFERENCE ONLY



REEL DIMENSIONS

Scale 1:10

(1800) PIECES ON A REEL
(THREE) REELS / CARBOARD BOX
(1800) PIECES IN THE CARBOARD BOX



Scale 10:1

90814-220/-+520/-+720/-+920	20
90814-218/-+518/-+718/-+918	18
90814-216/-+516/-+716/-+916	16
90814-214/-+514/-+714/-+914	14
90814-212/-+512/-+712/-+912	12
90814-210/-+510/-+710/-+910	10
90814-208/-+508/-+708/-+908	8
90814-206/-+506/-+706/-+906	6
90814-204/-+504/-+704/-+904	4
PART NO.	NUMBER OF PKTS



MOLEX REEL

TO CUSTOMER ASSEMBLY MACHINE

INCR POL PEG WTH
EC NO. 2003-1158
DRWN: J DENNEHY 03/04/30
CHK: APPR:

REV	DESCRIPTION	QUALITY SYMBOLS	GENERAL TOLERANCES (UNLESS SPECIFIED)	SCALE	DESIGN UNITS	THIRD ANGLE PROJECTION	DRAWING NO.	SHEET NO.
1	MAJOR	0	MM INCH	1:1	MM INCH	AS SHOWN	SDA-90814-9001	1 OF 2
2	CRITICAL	0	MM INCH	1:1	MM INCH	AS SHOWN	SDA-90814-9001	2 OF 2
3	4 PLACES ±0.	0	MM INCH	1:1	MM INCH	AS SHOWN	SDA-90814-9001	3 OF 2
4	3 PLACES ±0.	0	MM INCH	1:1	MM INCH	AS SHOWN	SDA-90814-9001	4 OF 2
5	2 PLACES ±0.	0	MM INCH	1:1	MM INCH	AS SHOWN	SDA-90814-9001	5 OF 2
6	1 PLACE ±0.	0	MM INCH	1:1	MM INCH	AS SHOWN	SDA-90814-9001	6 OF 2

NOTES:
1) MATERIAL: VOLUME NON-CONDUCTIVE ANTISTATIC COATED POLYSTYRENE.
2) CARRIER TAPE: .1 CONDUCTIVE POLYESTER (0.002 REF THICK, TRANSPARENT)
3) COVER TYPE: .1 CONDUCTIVE POLYESTER (0.002 REF THICK, TRANSPARENT)
4) PITCH TO FLANGE OVER ANY 10 PITCHES ± (.02) .008
5) PITCH TO FLANGE OF THE COVER TAPE IS 0.1 IN TO 1.0 IN
6) AT A MAXIMUM PEEL SPEED OF 3000 (181/min)±10%
7) REFERENCE TO IEC 286-3

THIS DRAWING CONTAINS INFORMATION THAT IS PROPRIETARY TO MOLEX INCORPORATED AND SHOULD NOT BE USED WITHOUT WRITTEN PERMISSION.

