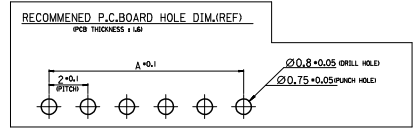
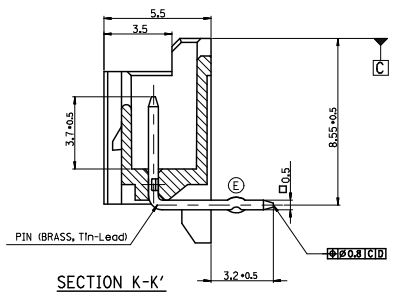
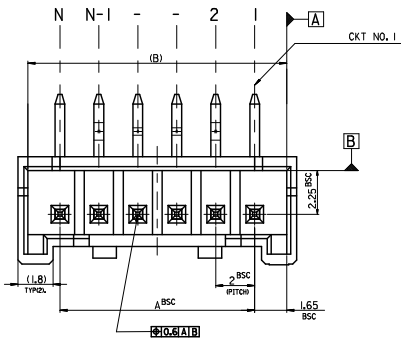


10 9 8 7 6 5 4 3 2 1

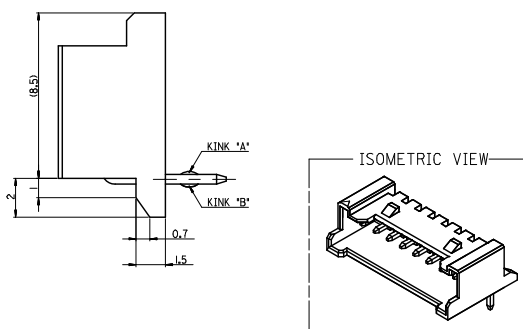
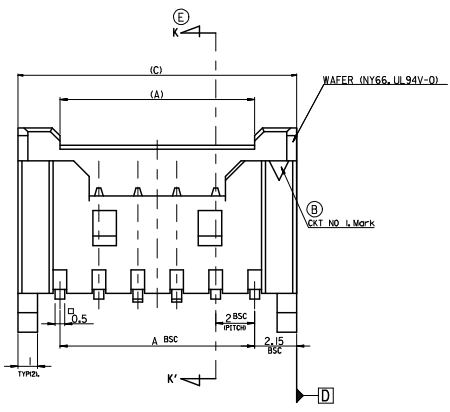


LEGEND

SD-35363-***

CKT NO. COLOR

- 0 : NATURAL
- 1 : BLACK
- 2 : RED
- 3 : YELLOW
- 4 : BLUE
- 5 : GREEN



32.3	31.3	28	-15 *	15
30.3	29.3	26	-14 *	14
28.3	27.3	24	-13 *	13
26.3	25.3	22	-12 *	12
24.3	23.3	20	-11 *	11
22.3	21.3	18	-10 *	10
20.3	19.3	16	-09 *	9
18.3	17.3	14	-08 *	8
16.3	15.3	12	-07 *	7
14.3	13.3	10	-06 *	6
12.3	12.3	8	-05 *	5
10.3	9.3	6	35363-04 *	4
(C)	(B)	A	ENG. NO.	CKT

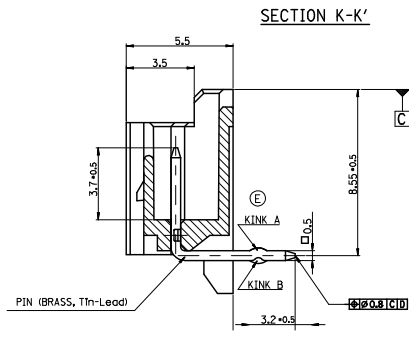
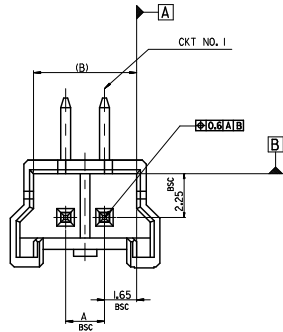
NOTES

- MATERIAL : UNFILLED POLYAMIDE, UL94V-0
- MATING HOUSING : 35007-***0*
- MATING TERMINAL : 50212-8000
- CHAMBER : 0.3 MAX.
- KINK

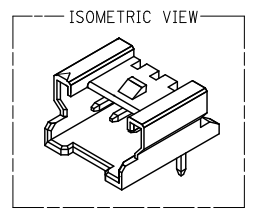
CKT NO	1	2	3	4	5	N-2	N-1	N
6 CKT OVER	-	A	B	-	-	B	A	-
5 CKT	A	B	-	B	A	-	-	-
4 CKT	A	B	B	A	-	-	-	-

5. PRODUCT SPECIFICATION NO : PS-35507-001

REVISED E.C. NO: KOR2008-0018 DRWN: HBAE 2009/01/14 CHKD: YSOKIM 2009/01/14 APPR: UMSI.KKIM 2009/01/15 G1	QUALITY SYMBOLS ▽=0 ▽=0	GENERAL TOLERANCES (UNLESS SPECIFIED)		DIMENSION STYLE MM ONLY		SCALE 5:1	DESIGN UNITS METRIC	THIRD ANGLE PROJECTION						
		4 PLACES ± --- ± ---	3 PLACES ± --- ± ---	2 PLACES ± --- ± ---	1 PLACE ± 0.15 ± ---	ANGULAR ± 1°	DRAFT WHERE APPLICABLE MUST REMAIN WITHIN DIMENSIONS	DRAWN BY YSOKIM	DATE 1996/09/11	CHECKED BY JKOH	DATE 1996/09/11	APPROVED BY CWLEE	DATE 1996/09/11	TITLE 2.0 W/B CONN WAFER ASSY (R/A)
		MATERIAL NO. ENTER PART		DOCUMENT NO. SD-35363-001		SHEET NO. 1 OF 3		MOLEX INCORPORATED						
		THIS DRAWING CONTAINS INFORMATION THAT IS PROPRIETARY TO MOLEX INCORPORATED AND SHOULD NOT BE USED WITHOUT WRITTEN PERMISSION												

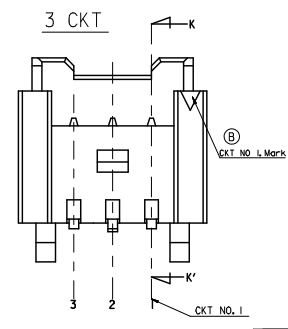
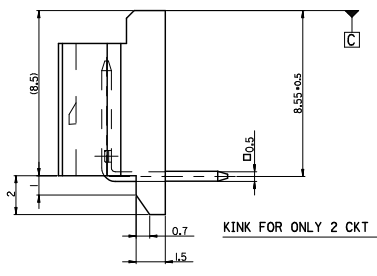
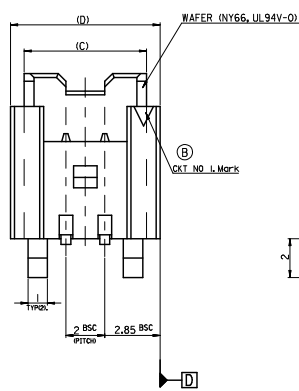


FOR 2 & 3 CKTS.



LEGEND

SD-35363-***	*	0 : NATURAL
CTXT NO.		1 : BLACK
		2 : RED
		3 : YELLOW
		4 : BLUE
		5 : GREEN

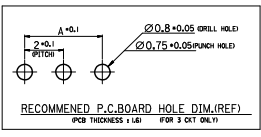


- NOTES
- 1. MATERIAL : UNFILLED POLYAMIDE, UL94V-0
 - 2. MATING HOUSING : 35007-***0*
 - MATING TERMINAL : 50212-8000
 - 3. CHAMBER : 0.3 MAX.
 - 4. KINK

CTXT NO.	1	2	3
2 CKT	NONE	KINK	
3 CKT	A	B	A

5. PRODUCT SPECIFICATION NO : PS-35507-001

9.7	8.3	7.3	4	-031*	3
7.7	6.3	5.3	2	35363-021*	2
(D)	(C)	(B)	A	ENG. NO.	CKT



30 over	±0.3
10 over 30 under	±0.25
10 under	±0.2
ANGLE	±3°
GENERAL TOLERANCE	

REVISIONS

REV. 1: EC NO: KOR2008-0018
 2009/01/14
 DRWN: JHBAE
 2009/01/14
 CHKD: YSOKKIM
 2009/01/15
 APPR: YUNSUKKIM

QUALITY SYMBOLS

▽=0

▽=0

GENERAL TOLERANCES (UNLESS SPECIFIED)

	mm	INCH
4 PLACES	± ---	± ---
3 PLACES	± ---	± ---
2 PLACES	± ---	± ---
1 PLACE	± 0.15	± ---
ANGULAR ± 1°		

DRAFT WHERE APPLICABLE MUST REMAIN WITHIN DIMENSIONS

DIMENSION STYLE: MM ONLY

SCALE: 5:1

DESIGN UNITS: METRIC

THIRD ANGLE PROJECTION

DRAWN BY: YSOKKIM DATE: 1996/09/11

CHECKED BY: JKOH DATE: 1996/09/11

APPROVED BY: CWLEE DATE: 1996/09/11

MATERIAL NO. ENTER PART

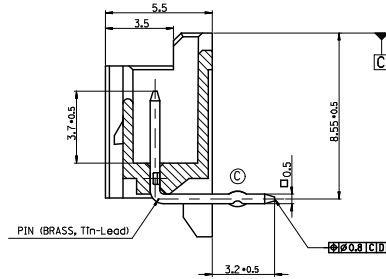
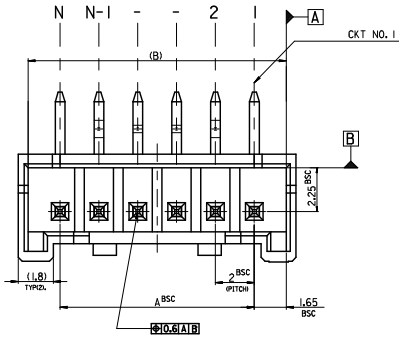
DOCUMENT NO. SD-35363-001

SHEET NO. 2 OF 3

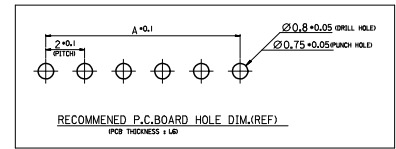
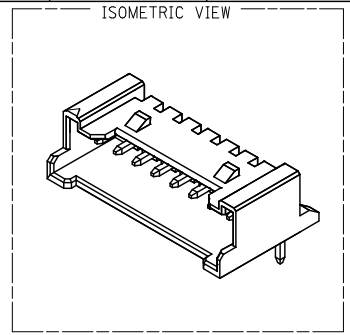
TITLE: 2.0 W/B CONN WAFER ASSY (R/A)

MOLEX INCORPORATED

THIS DRAWING CONTAINS INFORMATION THAT IS PROPRIETARY TO MOLEX INCORPORATED AND SHOULD NOT BE USED WITHOUT WRITTEN PERMISSION



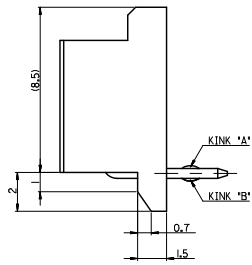
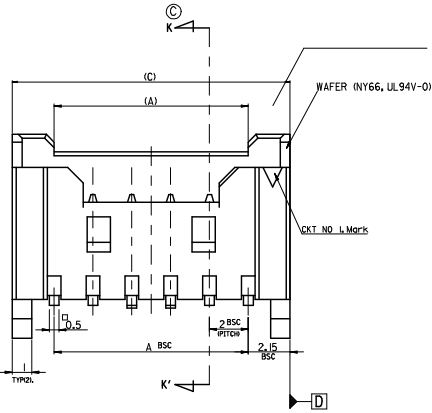
SECTION K-K'



LEGEND

SD-35363-***	COLOR	0 : NATURAL
		1 : BLACK
		2 : RED
		3 : YELLOW
		4 : BLUE
		5 : GREEN

42.3	41.3	38	35363-201*	20
(C)	(B)	A	ENG. NO.	CKT



NOTES

- MATERIAL : UNFILLED POLYAMIDE, UL94V-0
- MATING HOUSING : 35007-***0*
- MATING TERMINAL : 50212-8000
- KINK

CKT NO	1	2	3	4	N-3	N-2	N-1	N
20	-	A	B	-	-	B	A	-

4. PRODUCT SPECIFICATION NO : PS-35507-001

30 over	±0.3
10 over 30 under	±0.25
10 under	±0.2
ANGLE	±3°

GENERAL TOLERANCE

REVISED	EC NO: KOR2008-0018	2009/01/14
DRWN: JHBAE	CHKD: YSOOKIM	2009/01/14
APPR: YUNSIKKIM	2009/01/15	
REV	DESCRIPTION	
G1		

GENERAL TOLERANCES (UNLESS SPECIFIED)	
mm	INCH
4 PLACES	± --- ± ---
3 PLACES	± --- ± ---
2 PLACES	± --- ± ---
1 PLACE	± 0.15 ± ---
ANGULAR ± 1°	

DIMENSION STYLE	
MM ONLY	
DRAWN BY	DATE
YSOOKIM	1996/09/11
CHECKED BY	DATE
JKOH	1996/09/11
APPROVED BY	DATE
CWLEE	1996/09/11
MATERIAL NO.	
ENTER PART	

SCALE	5:1
DESIGN UNITS	METRIC
THIRD ANGLE PROJECTION	
TITLE	
2.0 W/B CONN WAFER ASSY (R/A)	
MOLEX INCORPORATED	
MATERIAL NO.	SD-35363-001
DOCUMENT NO.	
SHEET NO.	3 OF 3

DRAFT WHERE APPLICABLE MUST REMAIN WITHIN DIMENSIONS

THIS DRAWING CONTAINS INFORMATION THAT IS PROPRIETARY TO MOLEX INCORPORATED AND SHOULD NOT BE USED WITHOUT WRITTEN PERMISSION