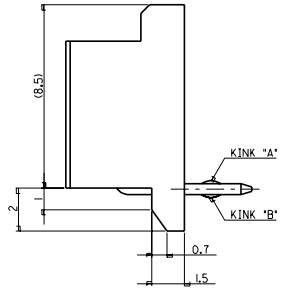
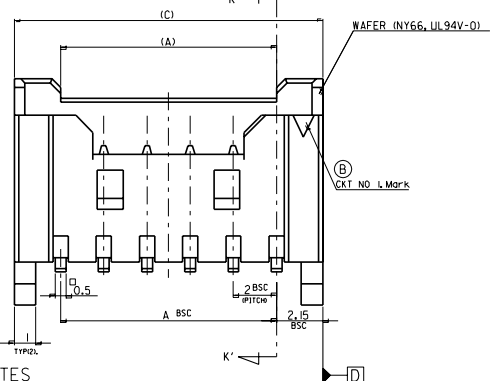


LEGEND

SD-35363-***I* COLOR

- 0 : NATURAL
- 1 : BLACK
- 2 : RED
- 3 : YELLOW
- 4 : BLUE
- 5 : GREEN



32.3	31.3	28	-15*	15
30.3	29.3	26	-14*	14
28.3	27.3	24	-13*	13
26.3	25.3	22	-12*	12
24.3	23.3	20	-11*	11
22.3	21.3	18	-10*	10
20.3	19.3	16	-09*	9
18.3	17.3	14	-08*	8
16.3	15.3	12	-07*	7
14.3	13.3	10	-06*	6
12.3	12.3	8	-05*	5
10.3	9.3	6	35363-041*	4
(C)	(B)	A	ENG. NO.	CKT

NOTES

1. MATING HOUSING : 35507-**0*
 MATING TERMINAL : 50212-8000

2. KINK

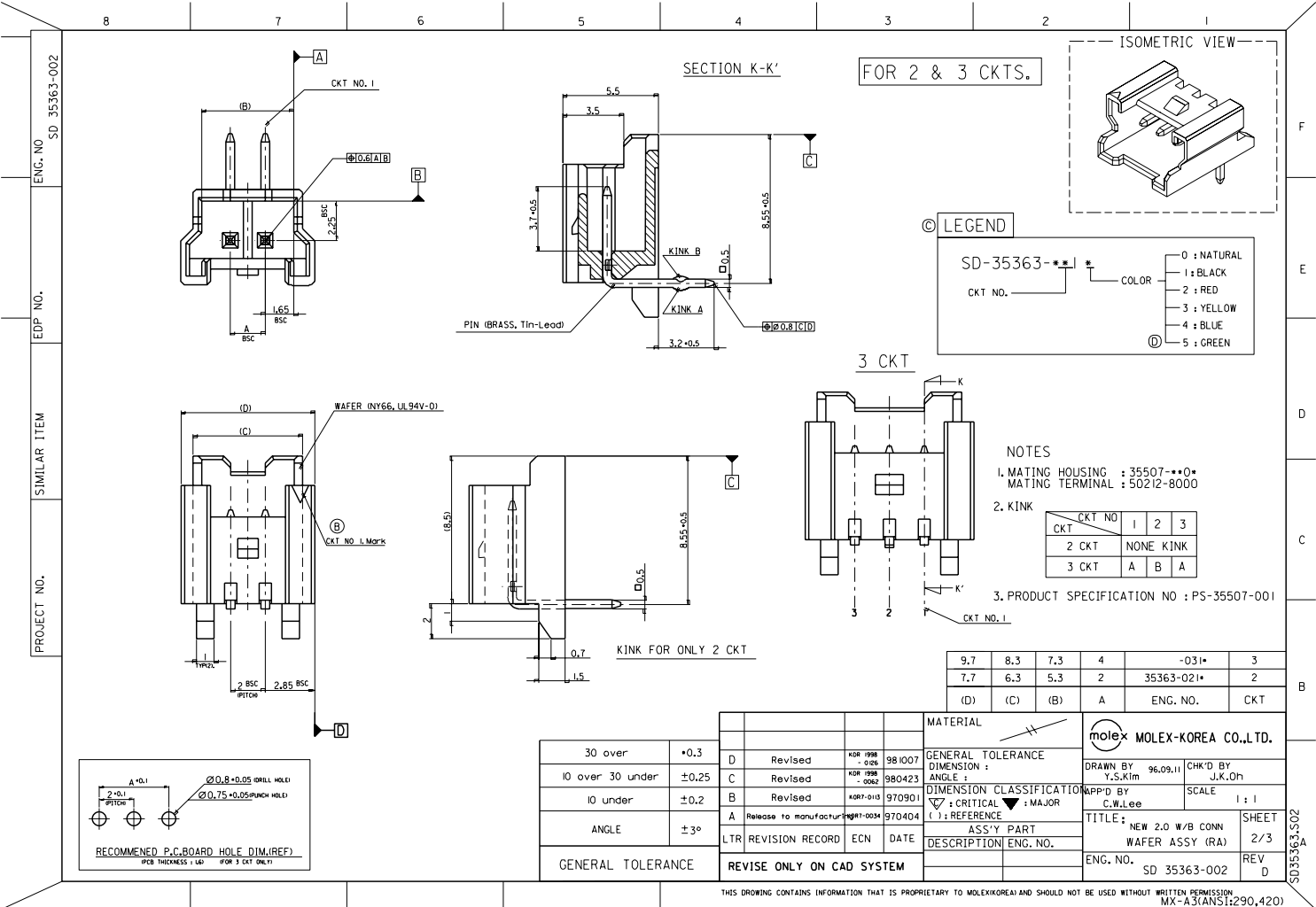
CKT NO	1	2	3	4	5	N-2	N-1	N
6 CKT OVER	-	A	B	-	-	B	A	-
5 CKT	A	B	-	B	A			
4 CKT	A	B	B	A				

3. PRODUCT SPECIFICATION NO : PS-35507-001

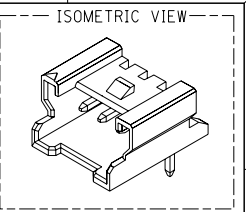
30 over	±0.3
10 over 30 under	±0.25
10 under	±0.2
ANGLE	±3°
GENERAL TOLERANCE	

MATERIAL		MOLEX MOLEX-KOREA CO.,LTD.	
(D) Revised	KOR 998-018 981007	GENERAL TOLERANCE	DRAWN BY Y.S.Kim 96.09.11
(C) Revised	KOR 998-062 980423	DIMENSION : ANGLE :	CHK'D BY J.K.Oh
(B) Revised	KOR 7-013 970901	DIMENSION CLASSIFICATION	APPR'D BY C.W.Lee
A NEW RELEASE	KOR 7-0034 970404	(▽) : CRITICAL (▼) : MAJOR (▽) : REFERENCE	SCALE 1 : 1
LTR	REVISION RECORD ECN DATE	ASS'Y PART DESCRIPTION	ENG. NO.
REVISE ONLY ON CAD SYSTEM		ENG. NO. SD35363-001	SHEET 1/3
			REV D

THIS DRAWING CONTAINS INFORMATION THAT IS PROPRIETARY TO MOLEX(KOREA) AND SHOULD NOT BE USED WITHOUT WRITTEN PERMISSION MX-A3(ANSI:290,420)



FOR 2 & 3 CKTS.



LEGEND

SD-35363-*** * COLOR

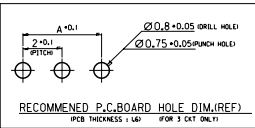
0	NATURAL
1	BLACK
2	RED
3	YELLOW
4	BLUE
5	GREEN

NOTES

- MATING HOUSING : 35507-***0*
- MATING TERMINAL : 50212-8000
- KINK
- PRODUCT SPECIFICATION NO : PS-35507-001

CKT NO	1	2	3
2 CKT	NONE	KINK	
3 CKT	A	B	A

9.7	8.3	7.3	4	-0.3	3
7.7	6.3	5.3	2	35363-021*	2
(D)	(C)	(B)	A	ENG. NO.	CKT



30 over	±0.3
10 over 30 under	±0.25
10 under	±0.2
ANGLE	±3°

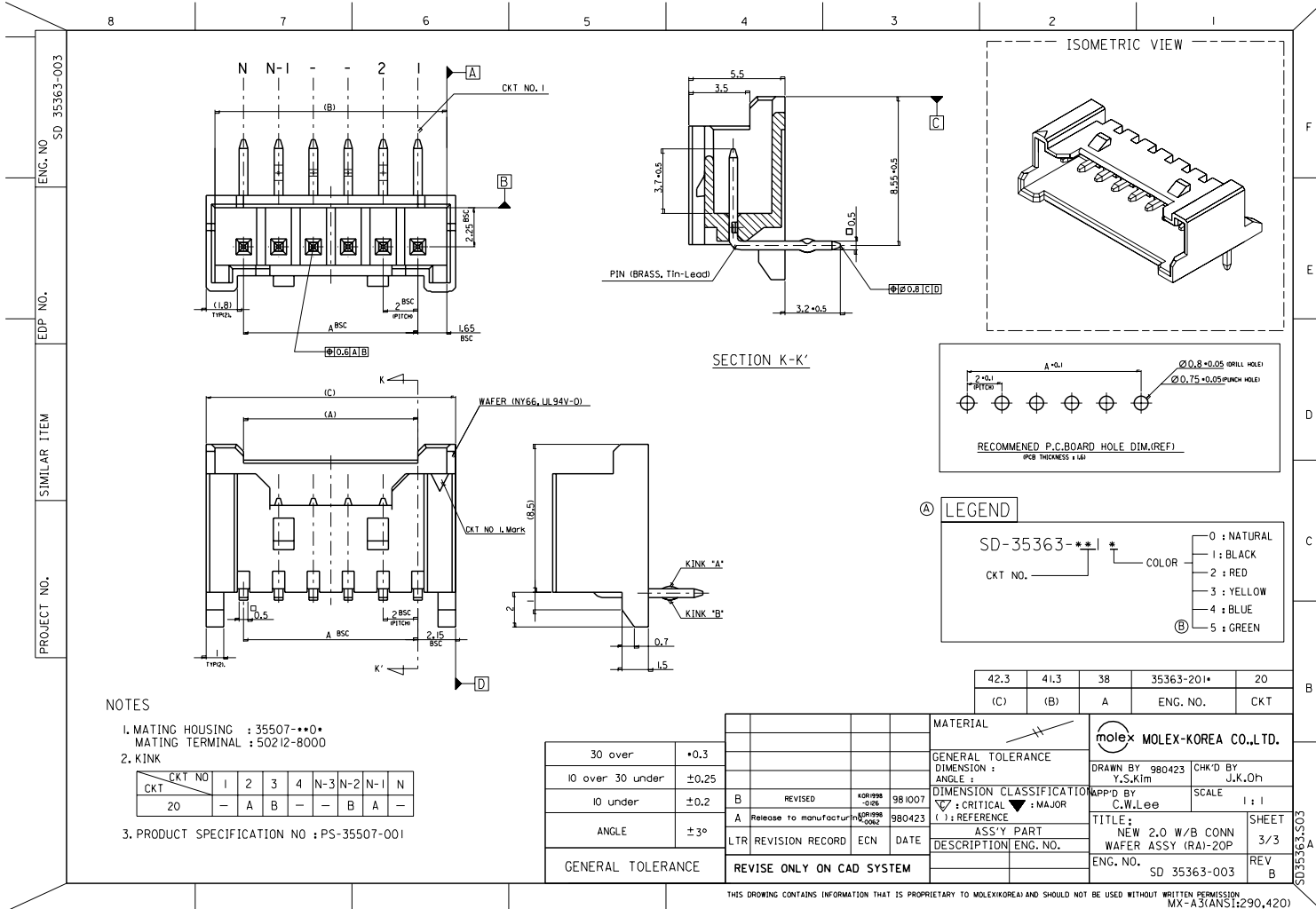
D	Revised	KOR 198-0126	981007	GENERAL TOLERANCE
C	Revised	KOR 198-0062	980423	DIMENSION :
B	Revised	KOR7-0113	970901	ANGLE :
A	Release to manufacturer	9871-0034	970404	DIMENSION CLASSIFICATION
LTR	REVISION RECORD	ECN	DATE	(▲) : CRITICAL ▼ : MAJOR
REVISE ONLY ON CAD SYSTEM				(▲) : REFERENCE
				ASSY PART
				DESCRIPTION ENG. NO.

MATERIAL				MOLEX MOLEX-KOREA CO.,LTD.	
DRAWN BY		96,09,11		CHK'D BY	
Y.S.Kim				J.K.Oh	
APPD BY		C.W.Lee		SCALE	
				1 : 1	
TITLE :				SHEET	
NEW 2.0 W/B CONN				2/3	
WAFER ASSY (RA)				REV	
ENG. NO. SD 35363-002				D	

THIS DRAWING CONTAINS INFORMATION THAT IS PROPRIETARY TO MOLEX(KOREA) AND SHOULD NOT BE USED WITHOUT WRITTEN PERMISSION MX-A3(ANSI290,420)

PROJECT NO. SIMILAR ITEM EDP NO. SD 35363-002 ENG. NO.

SD35363-02



NOTES

- 1. MATING HOUSING : 35507-**-0*
- MATING TERMINAL : 50212-8000
- 2. KINK

CKT NO	1	2	3	4	N-3	N-2	N-1	N
CKT	-	A	B	-	-	B	A	-

3. PRODUCT SPECIFICATION NO : PS-35507-001

30 over	±0.3
10 over 30 under	±0.25
10 under	±0.2
ANGLE	±3°
GENERAL TOLERANCE	

42.3	41.3	38	35363-201*	20
(C)	(B)	A	ENG. NO.	CKT

MATERIAL		MOLEX MOLEX-KOREA CO.,LTD.	
GENERAL TOLERANCE	DRAWN BY 980423	CHK'D BY	J.K.Oh
DIMENSION :	Y.S.KIm	SCALE	1 : 1
ANGLE :	APPD BY	C.W.Lee	SHEET
DIMENSION CLASSIFICATION	980423	WAIVER ASSY (RAI)-20P	3/3
(▲) : CRITICAL (▼) : MAJOR	DATE	ENG. NO.	SD 35363-003
(▲) : REFERENCE	ASSY PART	REV	B
DESCRIPTION	ENG. NO.		

THIS DRAWING CONTAINS INFORMATION THAT IS PROPRIETARY TO MOLEX(KOREA) AND SHOULD NOT BE USED WITHOUT WRITTEN PERMISSION MX-A3(ANSI)290,420)