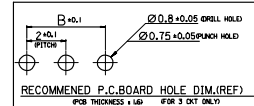
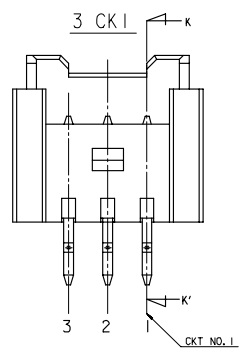
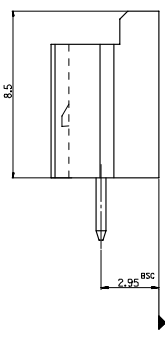
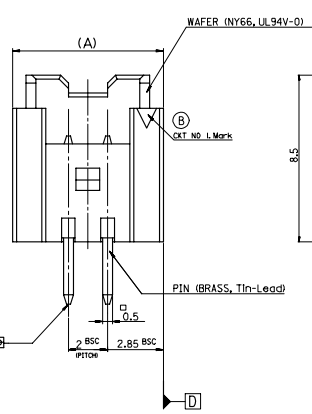
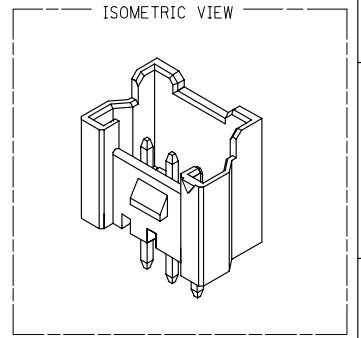
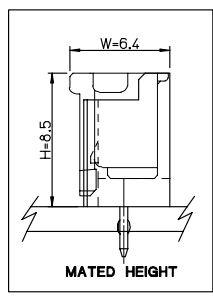
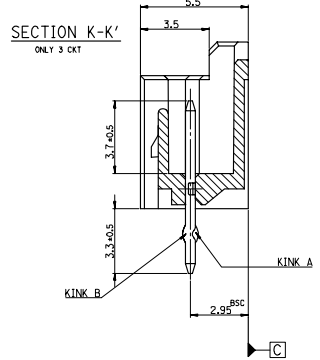
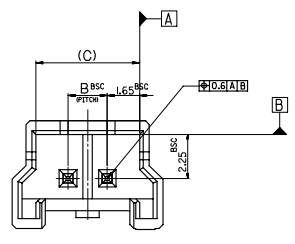


DWG. NO. SD-35362-001  
 SIMILAR ITEM  
 PROJECT NO.  
 C  
 B  
 DO NOT SCALE DRAWING  
 DIMENSION IN METRIC

FOR 2 & 3 CKTS.



**LEGEND**

SD-35362-\*\*\*\*  
 CKT NO. \_\_\_\_\_ COLOR \_\_\_\_\_

FINAL GOOD (BULK)  
 1 : SELECTIVE KINK  
 2 : NONE KINK

SUB ASSY (TUBE)  
 3 : SELECTIVE KINK  
 4 : NONE KINK

0 : NATURAL  
 1 : BLACK  
 2 : RED  
 3 : YELLOW  
 4 : BLUE  
 5 : GREEN

7.3	4	9.7	35362-03**	3
5.3	2	7.7	35362-02**	2
(C)	B	(A)	ENG. NO.	CKT

**NOTES**

- MATERIAL : WAFFER : POLYAMIDE(PA), NO GLASS, UL94V-0 . NATURAL COLOR  
PIN : BRASS . TIN LEAD PLATED
- FINISHES : TERMINAL : Sn-Pb 2~3um OVERALL
- PRODUCT SPECIFICATION : PS-35507
- MATING HOUSING : 35507-\*\*0\*  
MATING TERMINAL : 50212-8000
- KINK

CKT NO	1	2	3
2 CKT	NONE KINK		
3 CKT	A	B	A

30 over	±0.3
10 over 30 under	±0.25
10 under	±0.2
ANGLE	±3°
GENERAL TOLERANCE	

**REVISED**  
 ECN NO. KOR2008-0004  
 DRWN: Y.Soo.Kim 06/07/08  
 CHK: Y.Soo.Kim 06/07/08  
 APPR: C.W.Lee

QUALITY SYMBOLS  
 MAJOR =  
 CRITICAL =  
 DESCRIPTION

GENERAL TOLERANCES:  
 (UNLESS SPECIFIED)

4 PLACES	±0.	±.
3 PLACES	±0.	±.
2 PLACES	±0.	±.
1 PLACE	±0.	±.

ANGULAR: ± 3°

DRAFT WHERE APPLICABLE MUST REMAIN WITHIN DIMENSIONS

SCALE 1:1  
 DESIGN UNITS  MM  INCH  
 DRAWN BY & DATE  
 Y.S.KIM 06/09/11  
 CHECKED BY & DATE  
 Y.Soo.Kim 06/09/11  
 APPROVED BY & DATE  
 C.W.Lee 06/09/11  
 CAD FILENAME  
 SD35362-001-S02

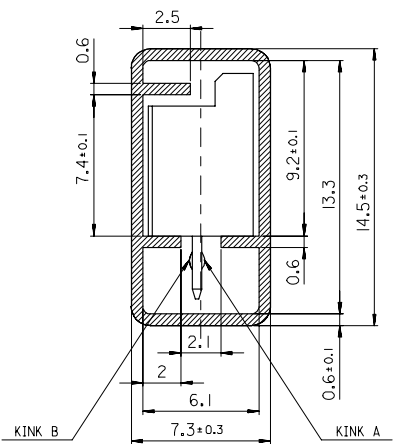
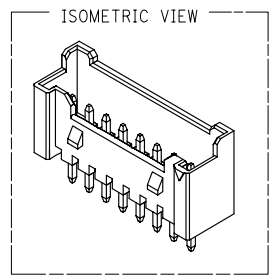
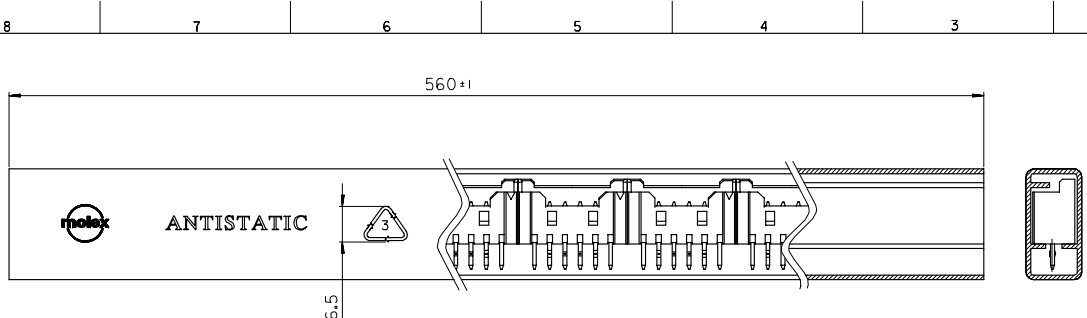
DIMENSIONS:  MM  INCH  ONLY  
 THIRD ANGLE PROJECTION  
 TITLE:  
**2.0mm W/B CONN.  
 WAFFER ASS'Y (S/T)**

**MOLEX INCORPORATED**

MATERIAL NO. See Table  
 DRAWING NO. SD-35362-001  
 SHEET NO. 2 of 3

THIS DRAWING CONTAINS INFORMATION THAT IS PROPRIETARY TO MOLEX INCORPORATED AND SHOULD NOT BE USED WITHOUT WRITTEN PERMISSION.

DWG. NO. SD-35362-003  
 SIMILAR ITEM  
 PROJECT NO.  
 C  
 B  
 DO NOT SCALE DRAWING  
 DIMENSION IN METRIC



**LEGEND.**

E-35362-\*\*\* \* \*  
 2-20 Circuits - EXT NO.

Final GOOD (Bulk)  
 1 : SELECTIVE KINK  
 2 : NONE KINK

Sub Assy (Tube)  
 3 : SELECTIVE KINK  
 4 : NONE KINK

COLOR & PACKING  
 0 : NATURAL  
 1 : BLACK  
 2 : RED  
 3 : YELLOW  
 4 : BLUE  
 5 : GREEN  
 6 : TUBE PACKING (Natural Color)  
 7 : TUBE PACKING (RED Color)  
 8 : TUBE PACKING (BLUE Color)

- NOTES**
- MATERIAL : TUBE - TRANSLUCENT P.V.C (P-1000)  
 Wafer - POLYAMIDE, UL94V-0  
 PIN - BRASS SO 0.5mm
  - BOW(CAMBER) : 1.0mm MAX./Total Length
  - DIMENSIONS GIVEN ACROSS CENTER LINES ARE SYMMETRICAL ABOUT THOSE CENTER LINES WITH HALF THE TOTAL LENGTH.
  - TOTAL TUBE LENGTH : 560mm ± 1mm
  - TWIST : 5° MAX./Total Length
  - BURRS : 0.2mm MAX.
  - SKEW : PRODUCTS MUST BE FLOWED SMOOTHLY WHEN THIS STICK IS PLACES 30° ANGLE.
  - THICKNESS : 0.6mm ± 0.1mm
  - ARTWORK : PER E-35900-0434 (SILK SCREEN COLOR : RED)
  - APPLICABLE STOPPER(RUBBER) : 35900-0435

**TABLE**

10	20**	-20**	20
10	19**	-19**	19
10	18**	-18**	18
10	17**	-17**	17
15	16**	-16**	16
15	15**	-15**	15
15	14**	-14**	14
15	13**	-13**	13
15	12**	-12**	12
20	11**	-11**	11
20	10**	-10**	10
25	09**	-09**	9
25	08**	-08**	8
30	07**	-07**	7
35	06**	-06**	6
40	05**	-05**	5
50	04**	-04**	4
60	03**	-03**	3
70	3536202**	35362-02**	2

QT'y Material NO. ENG. NO. CKT

**KINK TABLE(FOR 35362-\*\*\*\*)**

CKT NO	1	2	3	4	5	N-2	N-1	N
6 CKT OVER	-	A	B	-	-	B	A	-
5 CKT	A	B	-	B	A	-	-	-
4 CKT	A	B	B	A	-	-	-	-
3 CKT	A	B	A	-	-	-	-	-
2 CKT	None Kink		-	-	-	-	-	-

NEW RELEASED EC NO. KOR2008-0082 DRWN: K.S.KIM (060102) CHK: Y.SooKM APPR: SH-CHOI	QUALITY SYMBOLS MAJOR = CRITICAL = C =	GENERAL TOLERANCES: (UNLESS SPECIFIED) mm INCH 4 PLACES ±0. ± 3 PLACES ±0. ± 2 PLACES ±0. ± 1 PLACE ±0.2 ±	SCALE 5 : 1 DESIGN UNITS <input checked="" type="checkbox"/> mm <input type="checkbox"/> INCH	THIRD ANGLE PROJECTION <input type="checkbox"/> mm <input checked="" type="checkbox"/> INCH <input type="checkbox"/> ONLY	DIMENSIONS: <input type="checkbox"/> mm <input checked="" type="checkbox"/> INCH <input type="checkbox"/> ONLY	SHT REV REVISE ON CAD ONLY	
		DRAWN BY & DATE K.S.KIM (060102)	TITLE: TUBE PACKAGING FOR 35362-****		APPROVED BY & DATE SH-CHOI	MOLEX INCORPORATED KOREA	
		CHECKED BY & DATE Y.SooKM	CAD FILENAME	MATERIAL NO. SEE TABLE	DRAWING NO. SD-35362-004	SHEET NO. 1 of 1	
		DRAFT WHERE APPLICABLE MUST REMAIN WITHIN DIMENSIONS	THIS DRAWING CONTAINS INFORMATION THAT IS PROPRIETARY TO MOLEX INCORPORATED AND SHOULD NOT BE USED WITHOUT WRITTEN PERMISSION.				

MX-A3