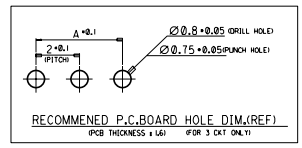
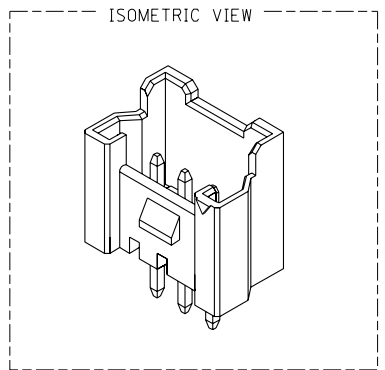
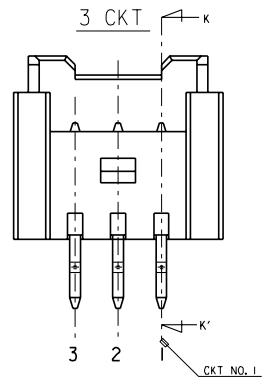
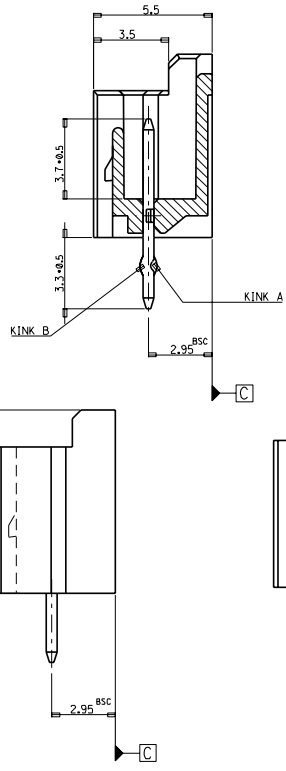
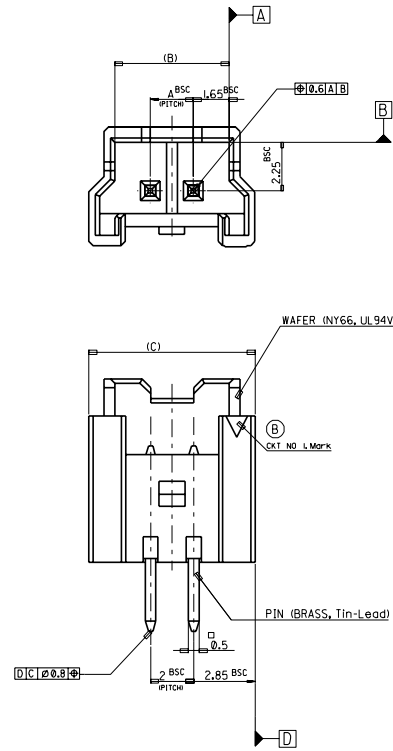


ENG. NO. SD-35362-001  
EDP. NO.  
SIMILAR ITEM  
PROJECT NO.

FOR 2 & 3 CKTS.



- NOTES
- MATING HOUSING : 35507-\*\*-0\*
  - MATING TERMINAL : 50212-8000
  - PRODUCT SPECIFICATION NO : PS-35507-001

CKT NO	1	2	3
2 CKT	NONE	NONE	NONE
3 CKT	A	B	A

9.7	7.3	4	-03**	3
7.7	5.3	2	35362-02**	2
(C)	(B)	A	ENG. NO.	CKT

LEGEND

SD-35362-\*\*\*\*

CKT NO. [ ] COLOR [ ]

0 : NATURAL  
1 : BLACK  
2 : RED  
3 : YELLOW  
4 : BLUE  
5 : GREEN

FINAL GOOD (BULK) [ ] KINK [ ]  
SUB ASSY (TUBE) [ ] KINK [ ]

1 : SELECTIVE KINK  
2 : NONE KINK  
3 : SELECTIVE KINK  
4 : NONE KINK

30 over	+0.3
10 over 30 under	±0.25
10 under	±0.2
ANGLE	±3°
GENERAL TOLERANCE	

REV	DESCRIPTION	DATE	BY	CHK'D
Ⓒ	Revised	KOR 2001-0805	010118	
Ⓓ	Revised	KOR 1998-0105	981007	
Ⓔ	Revised	KOR 1998-0802	980423	
Ⓕ	Revised	KOR 2013-0709	970901	
A	Release to manufacturer	KOR 2004-0704	970404	
LTR	REVISION RECORD	ECN	DATE	

MATERIAL	
GENERAL TOLERANCE	
DIMENSION	
ANGLE	
DIMENSION CLASSIFICATION	
▽ : CRITICAL	▼ : MAJOR
( ) : REFERENCE	
ASS'Y PART	
DESCRIPTION	ENG. NO.

**MOLEX-KOREA CO.,LTD.**

DRAWN BY 96.09.11 Y.S.Kim  
CHK'D BY J.K.Oh

APP'D BY C.W.Lee  
SCALE 1:1

TITLE: NEW 2.0 W/B CONN WAFER ASSY (ST)

ENG. NO. SD-35362-001

SHEET 2/3

REV E

THIS DRAWING CONTAINS INFORMATION THAT IS PROPRIETARY TO MOLEX(KOREA) AND SHOULD NOT BE USED WITHOUT WRITTEN PERMISSION MX-A3(ANSI:290,420)